

## **Spare parts list**

(1.195-200.0) DS 6.000 (white) \*EU

## Table of contents

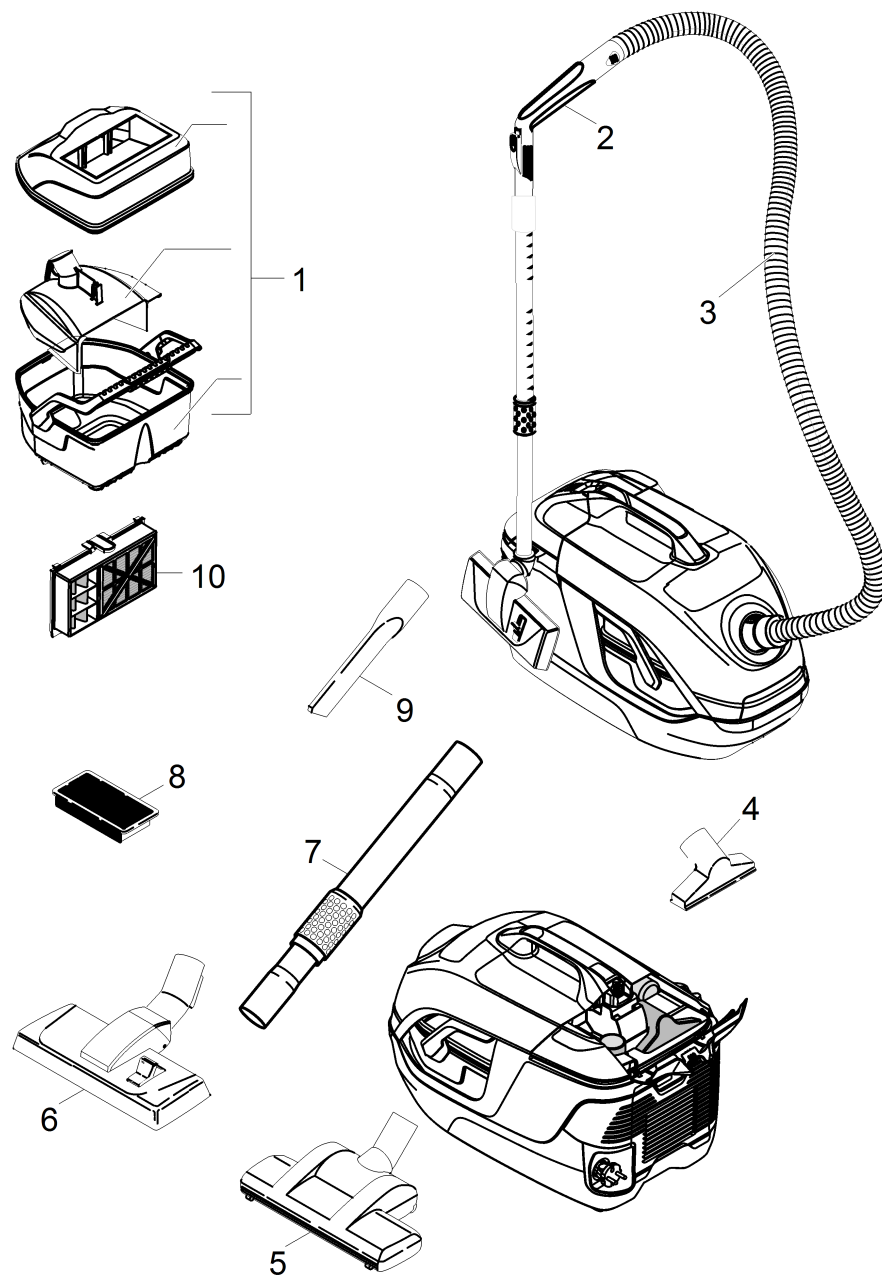
---

DS 6.000 (white) *EU (1.195-200.0)	3
Short spare parts list	4
220 Spare parts list DS 6.000 *EU (5.972-105.0)	6
10 Cover	7
3 Slider complete for replacement (4.195-224.0)	9
7 Upper housing set replacement DS 6.000 (4.195-255.0)	11
20 Vacuum motor	13
1 Air circulation complete for replacement (4.195-226.0)	15
13 Housing bottom part for replacement (4.195-227.0)	17
30 Water filter	19
1 Water filter complete for replacement (4.195-223.0)	21
40 Accessories	23

DS 6.000 (white) \*EU (1.195-200.0)

---

<b>POS</b>	<b>Article no.</b>	<b>Description</b>	<b>Quantity</b>	<b>Unit</b>
0		Short spare parts list	1.000	ST
220	5.972-105.0	Spare parts list DS 6.000 *EU	1.000	ST



## Short spare parts list

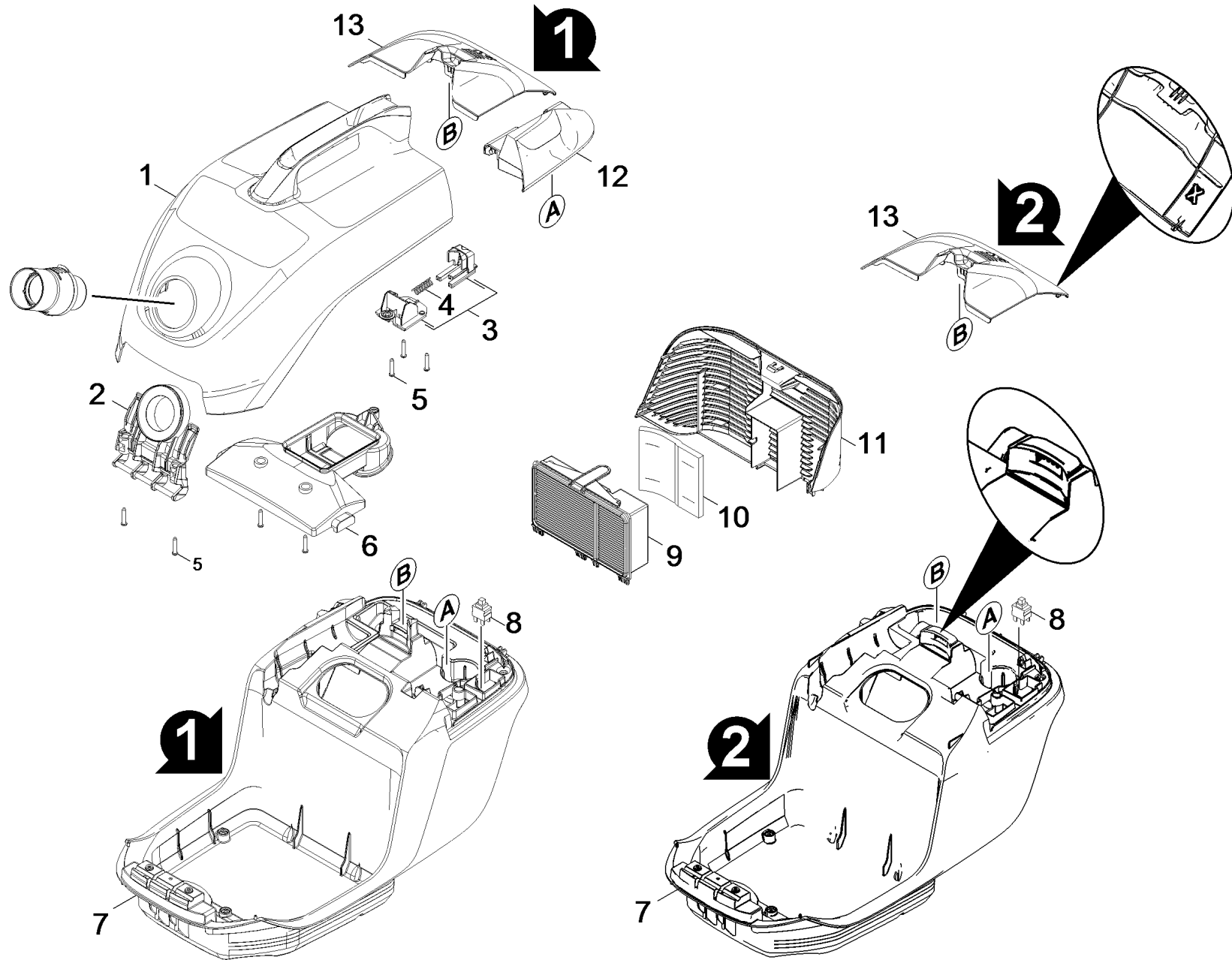
---

<b>POS</b>	<b>Article no.</b>	<b>Description</b>	<b>Quantity</b>	<b>Unit</b>
1	4.195-223.0	Water filter complete for replacement	1.000	ST
2	4.195-247.0	Hand grip complete replacement	1.000	ST
3	6.901-058.0	Suction hose complete	1.000	ST
4	6.906-622.0	Upholstery nozzle	1.000	ST
5	6.907-376.0	Turbo brush	1.000	ST
6	6.906-894.0	Floor tool black RD270 DN35	1.000	ST
7	6.902-127.0	Telescopic tube	1.000	ST
8	6.414-631.0	Intermediate filter DS	1.000	ST
9	5.195-196.0	Crevice nozzle	1.000	ST
10	2.860-273.0	Filter HEPA 13 DS	1.000	ST

220 Spare parts list DS 6.000 \*EU (5.972-105.0)

---

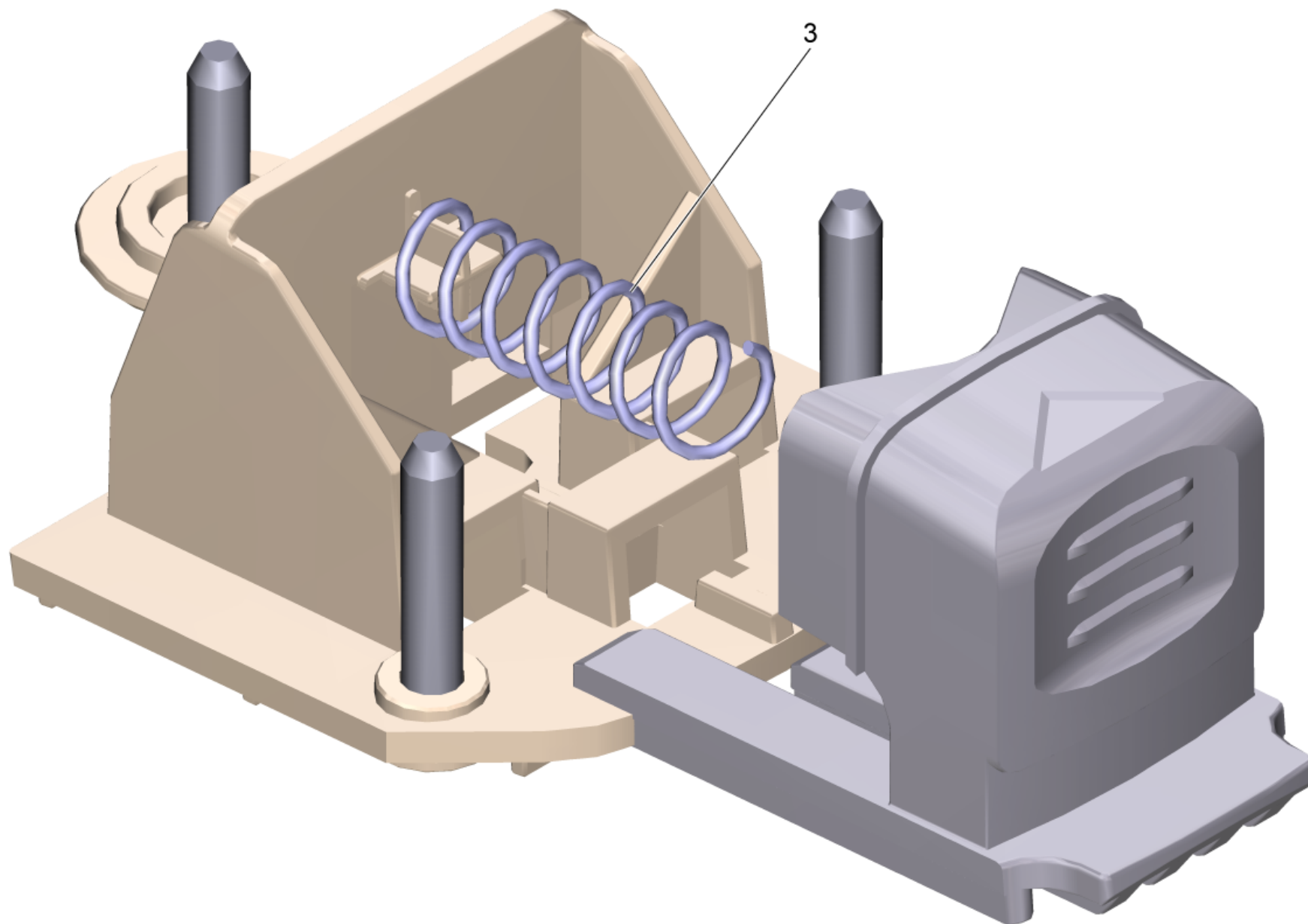
<b>POS</b>	<b>Description</b>	<b>Quantity</b>	<b>Unit</b>
10	Cover	1.000	ST
20	Vacuum motor	1.000	ST
30	Water filter	1.000	ST
40	Accessories	1.000	ST



10 Cover

POS	Article no.	Description	Quantity	Unit	Foot note text
1	4.195-303.0	Front flap DS 6 Premium for replacement	1.000	ST	
2	5.195-367.0	Stop suction hose	1.000	ST	
3	4.195-224.0	Slider complete for replacement	1.000	ST	
4	5.332-169.0	Pressure spring	1.000	ST	
5	7.303-096.0	Screw 4x22 -ST-10.9-R2R (IN6RD)	7.000	ST	
6	5.195-368.0	Air duct	1.000	ST	
7	4.195-255.0	Upper housing set replacement DS 6.000	1.000	ST	
8	6.630-650.0	Main switch	1.000	ST	
9	2.860-273.0	Filter HEPA 13 DS	1.000	ST	
10	6.195-241.0	Insulation mat exhaust air flap DS 6.000	1.000	ST	
11	4.195-236.0	Air exhaust louver for replacement DS 6.	1.000	ST	
12	4.195-233.0	Pushbutton on off DS 6.000	1.000	ST	
13	5.195-198.3	Accessories flap for replacement DS 6.00	1.000	ST	VERSION 2
13	4.195-234.0	Accessories flap for replacement DS 6.00	1.000	ST	VERSION 1



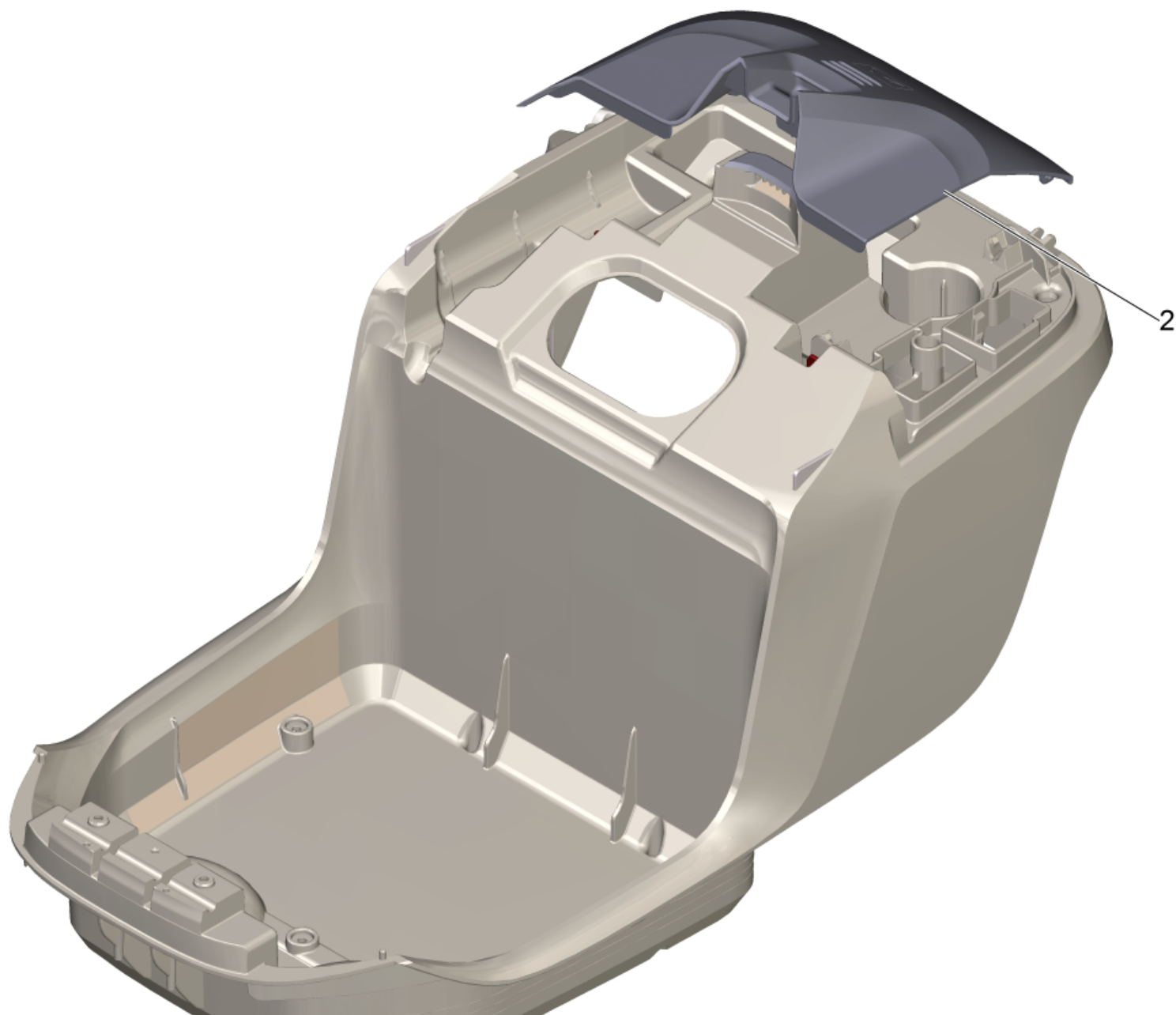


3 Slider complete for replacement (4.195-224.0)

---

<b>POS</b>	<b>Article no.</b>	<b>Description</b>	<b>Quantity</b>	<b>Unit</b>
3	5.332-169.0	Pressure spring	1.000	ST

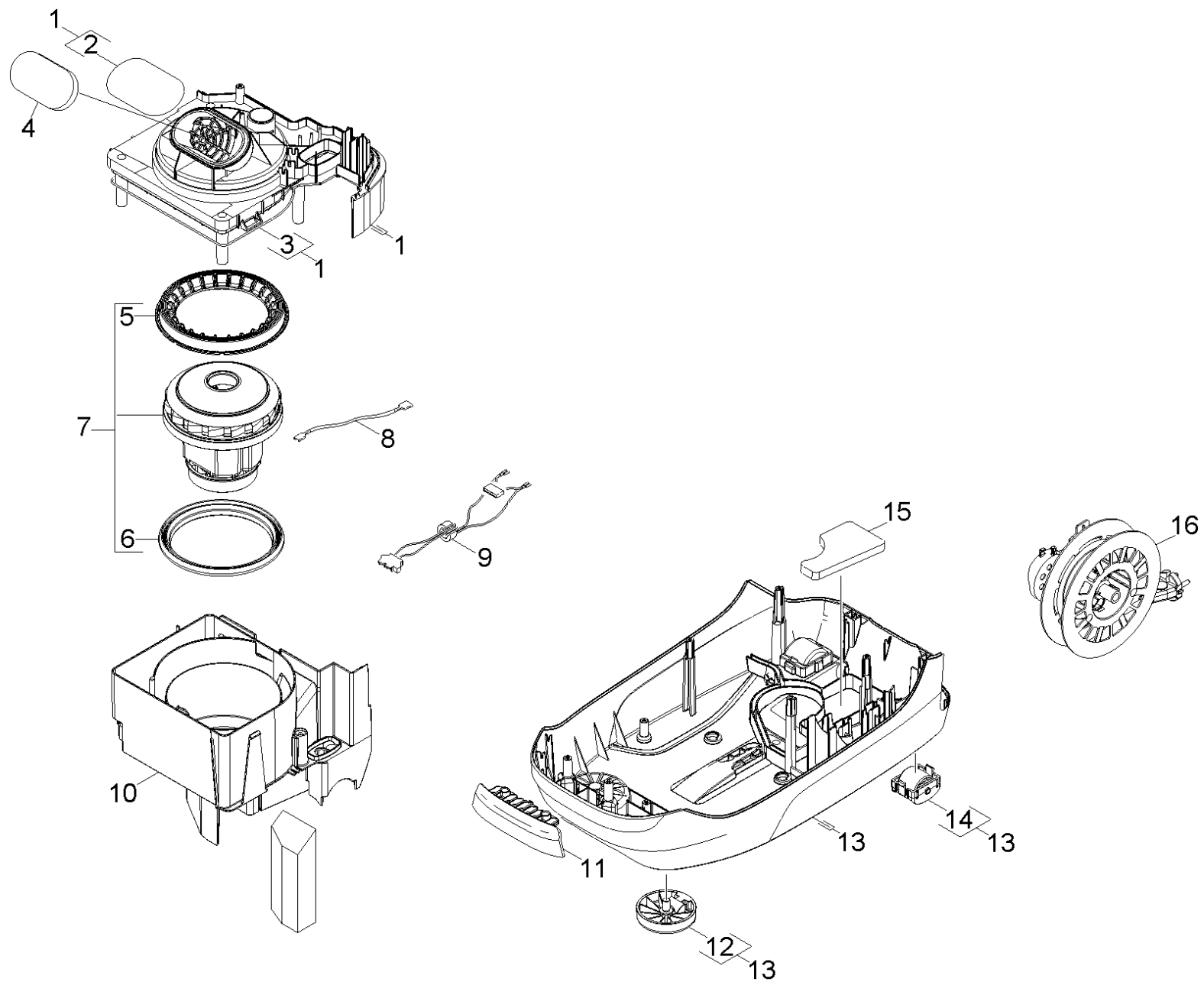
---



7 Upper housing set replacement DS 6.000 (4.195-255.0)

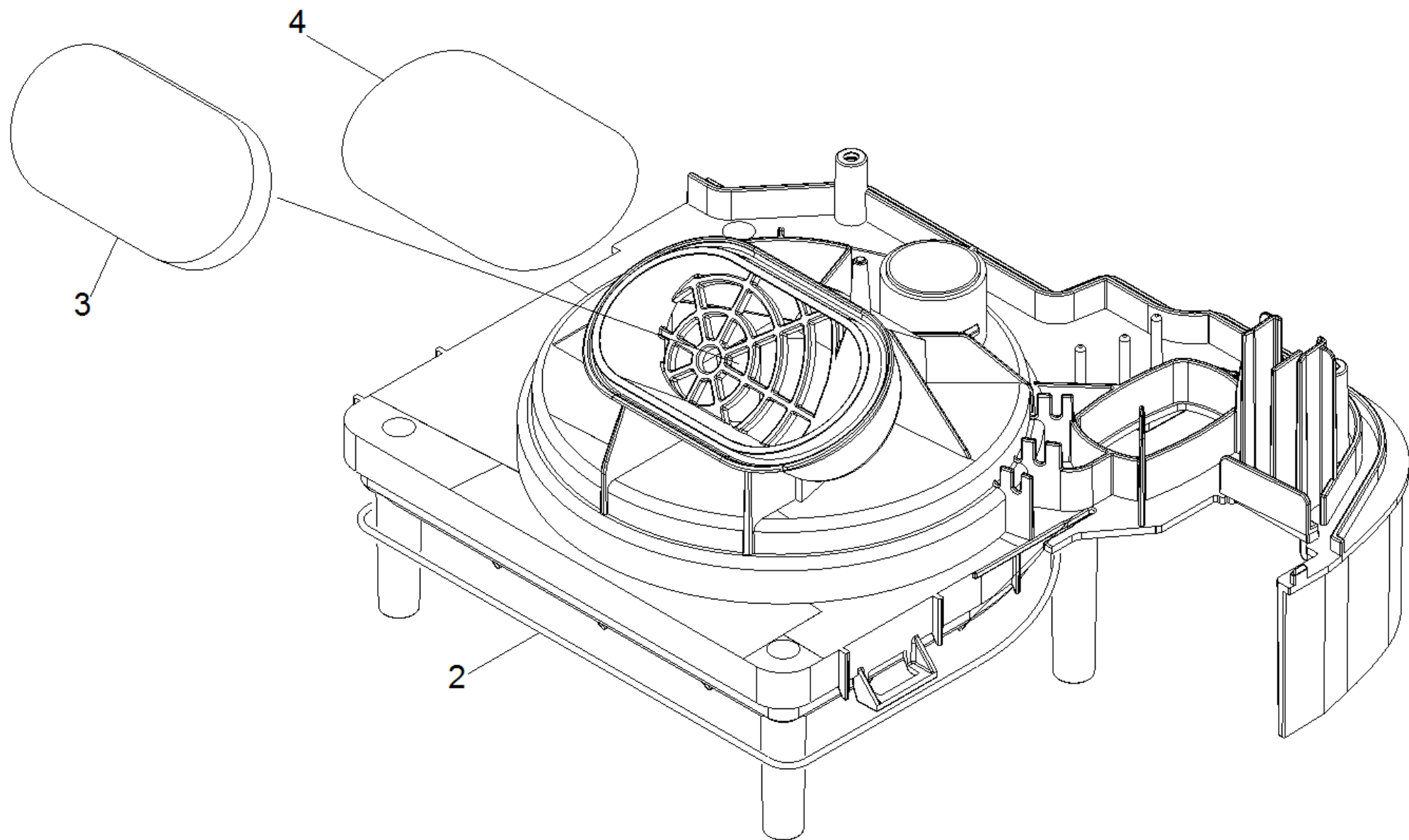
---

<b>POS</b>	<b>Article no.</b>	<b>Description</b>	<b>Quantity</b>	<b>Unit</b>
2	5.195-198.3	Accessories flap for replacement DS 6.00	1.000	ST



## 20 Vacuum motor

POS	Article no.	Description	Quantity	Unit	Remark
1	4.195-226.0	Air circulation complete for replacement	1.000	ST	
2	5.195-398.0	Seal air circulation DS 6.000	1.000	ST	
3	5.195-376.0	Seal string DS 6.000	1.000	ST	
4	6.195-239.0	Foam insert air circulation DS 6.000	1.000	ST	
5	9.079-050.0	Motor sealing	1.000	ST	
6	9.079-024.0	Seal motor above	1.000	ST	
7	4.195-225.0	Vacuum motor 900W	1.000	ST	
8	6.195-249.0	Cable DS 6.000	1.000	ST	
9	4.195-231.0	Cable with capacitor	1.000	ST	
10	5.195-370.0	Motor mount	1.000	ST	
11	4.195-235.0	Bearing for replacement DS 6.000	1.000	ST	
12	4.195-220.0	Castor complete black	2.000	ST	
13	4.195-227.0	Housing bottom part for replacement	1.000	ST	
14	4.195-219.0	Fixed castor complete black	2.000	ST	
15	6.195-240.0	Foam insert GUT DS 6.000	1.000	ST	
16	4.195-246.0	Cable automatic complete DS 6.000 *CH fu	1.000	ST	/*CH
16	4.195-056.0	Cable automatic complete Ersatz *AU	1.000	ST	/*AU
16	4.195-229.0	Cable automatic complete for replacement	1.000	ST	/*EU

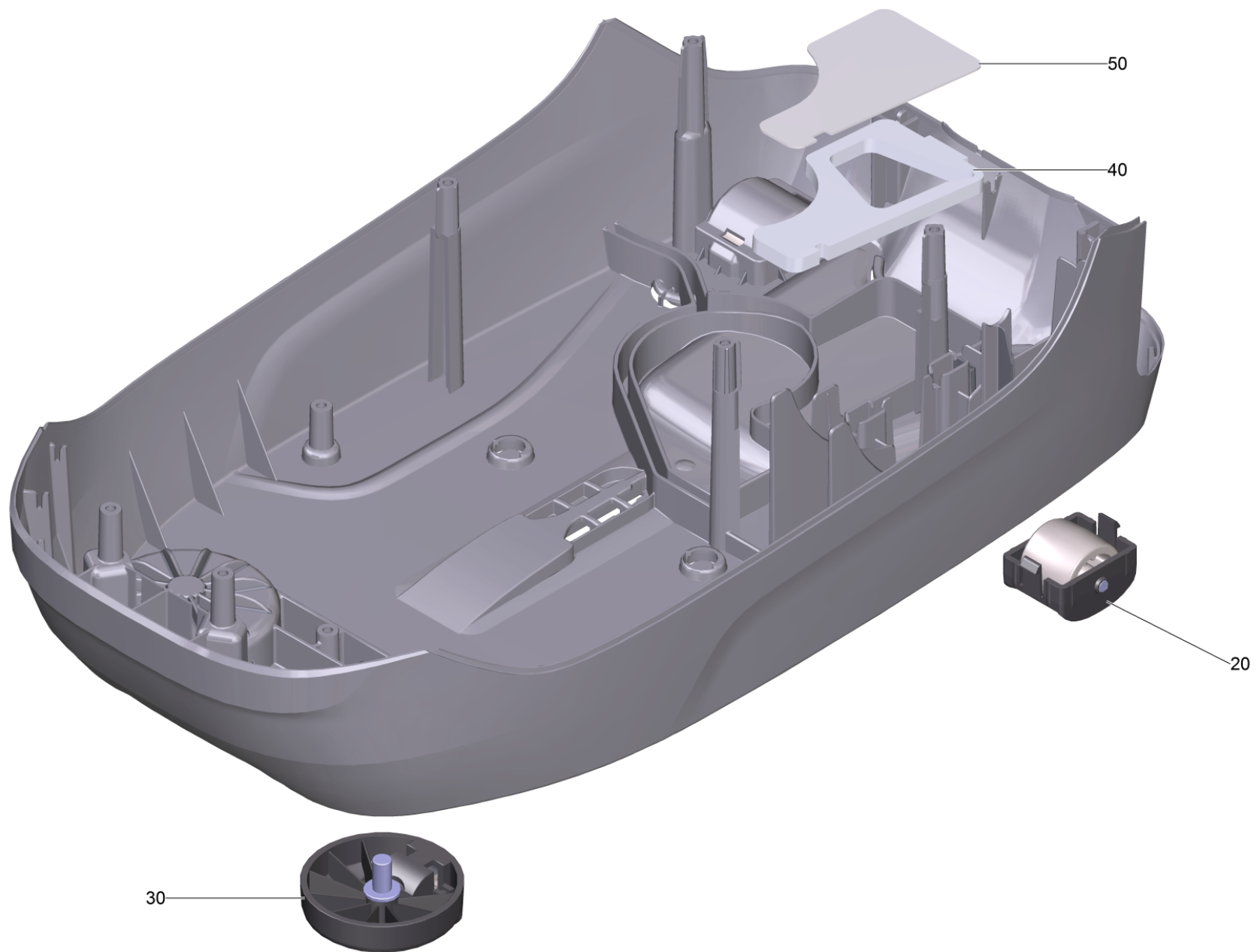


1 Air circulation complete for replacement (4.195-226.0)

---

<b>POS</b>	<b>Article no.</b>	<b>Description</b>	<b>Quantity</b>	<b>Unit</b>
2	5.195-376.0	Seal string DS 6.000	1.000	ST
3	6.195-239.0	Foam insert air circulation DS 6.000	1.000	ST
4	5.195-398.0	Seal air circulation DS 6.000	1.000	ST

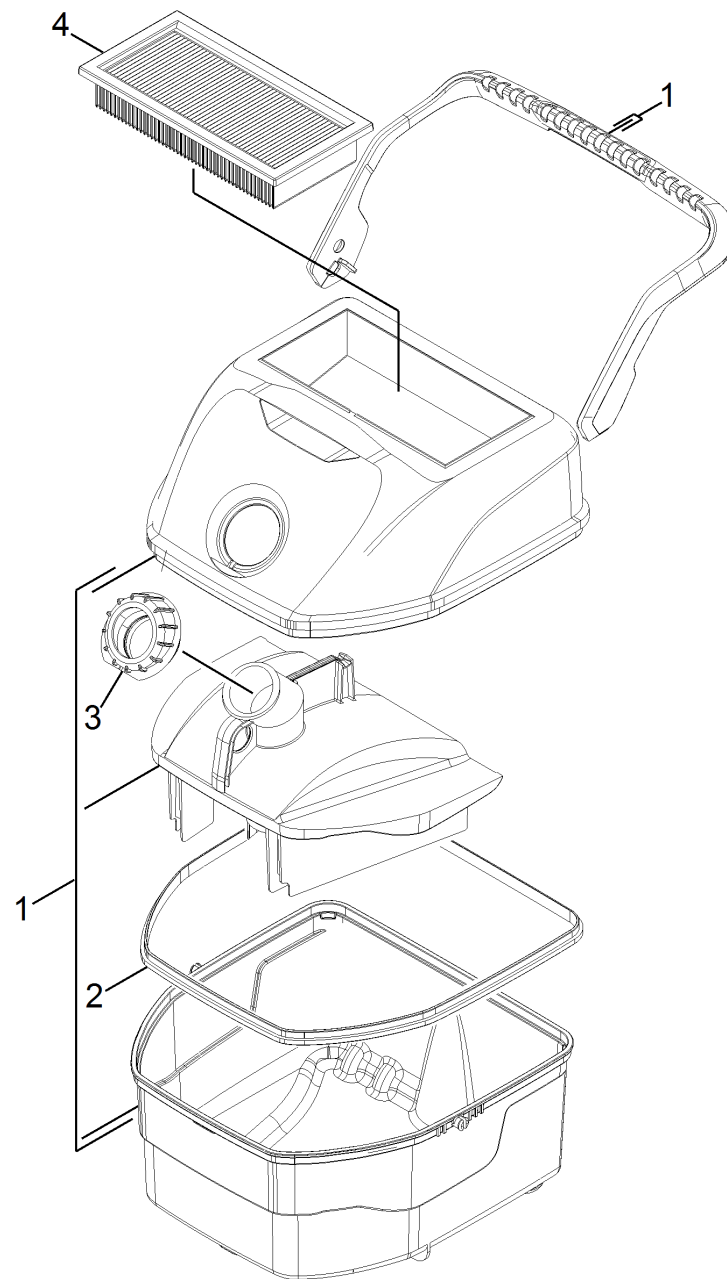




### 13 Housing bottom part for replacement (4.195-227.0)

---

<b>POS</b>	<b>Article no.</b>	<b>Description</b>	<b>Quantity</b>	<b>Unit</b>
20	4.195-219.0	Fixed castor complete black	2.000	ST
30	4.195-220.0	Castor complete black	2.000	ST
40	6.195-075.0	Foam insert bottom housing DS 6	1.000	ST
50	6.195-074.0	Filter GUT	1.000	ST



## 30 Water filter

---

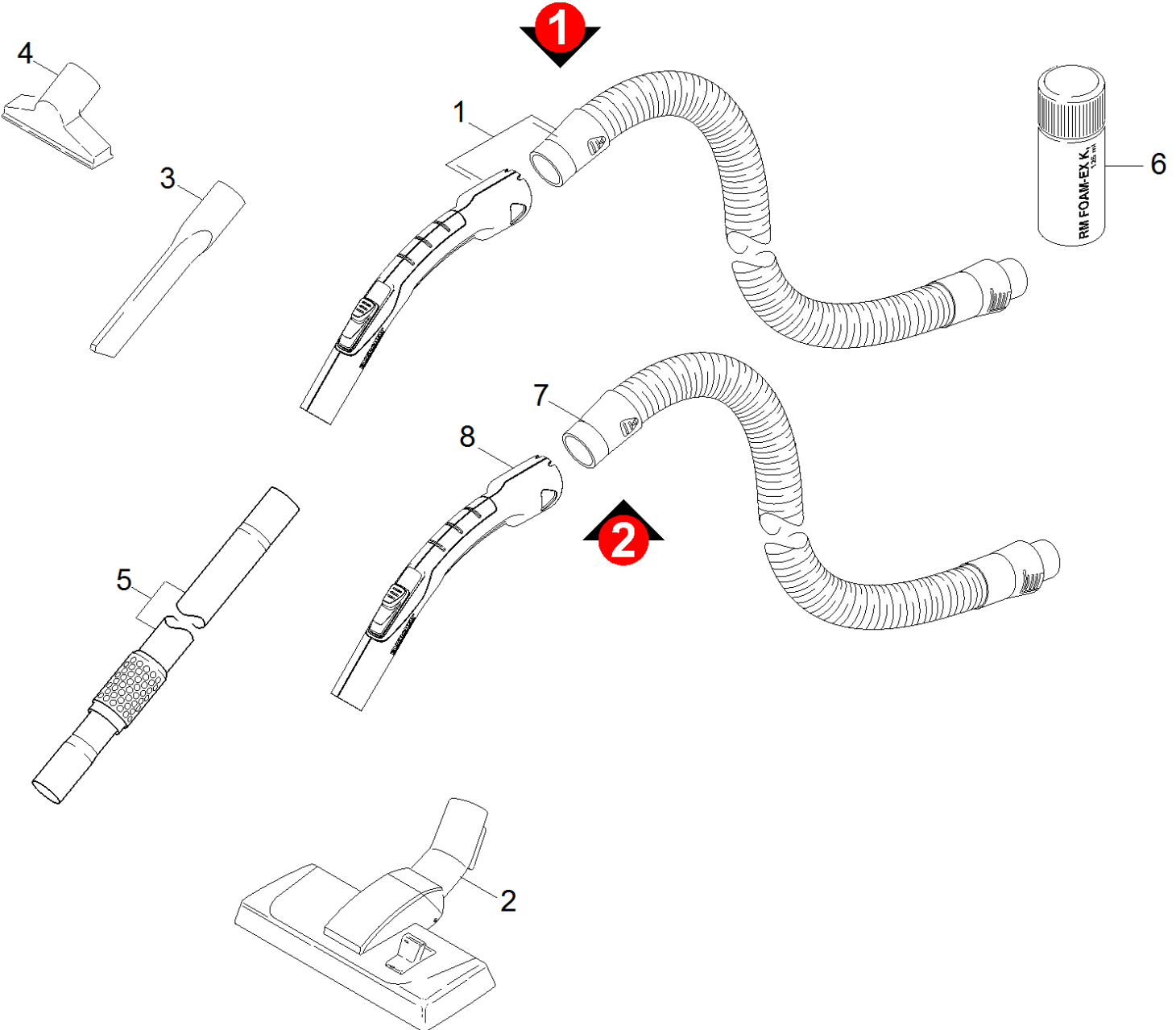
<b>POS</b>	<b>Article no.</b>	<b>Description</b>	<b>Quantity</b>	<b>Unit</b>
1	4.195-223.0	Water filter complete for replacement	1.000	ST
2	5.195-350.0	Seal box water	1.000	ST
3	5.195-366.0	Seal baffle plate	1.000	ST
4	6.414-631.0	Intermediate filter DS	1.000	ST



1 Water filter complete for replacement (4.195-223.0)

---

<b>POS</b>	<b>Article no.</b>	<b>Description</b>	<b>Quantity</b>	<b>Unit</b>
2	5.195-366.0	Seal baffle plate	1.000	ST
6	5.195-350.0	Seal box water	1.000	ST



## 40 Accessories

POS	Article no.	Description	Quantity	Unit	Serial number from	Remark	Foot note text
1	4.195-097.0	Suction hose complete for replacement	1.000	ST		/*EU, /*CH	VERSION 1
2	6.906-894.0	Floor tool black RD270 DN35	1.000	ST			
3	5.195-196.0	Crevice nozzle	1.000	ST			
4	6.906-622.0	Upholstery nozzle	1.000	ST			
5	6.902-127.0	Telescopic tube	1.000	ST			
6	6.290-852.0	RM FOAMSTOP neutral,125ml*DE,FR,IT,EN,N L	1.000	ST			
7	6.901-058.0	Suction hose complete	1.000	ST	23081	/*EU	VERSION 2
8	4.195-247.0	Hand grip complete replacement	1.000	ST	23081	/*EU	VERSION 2