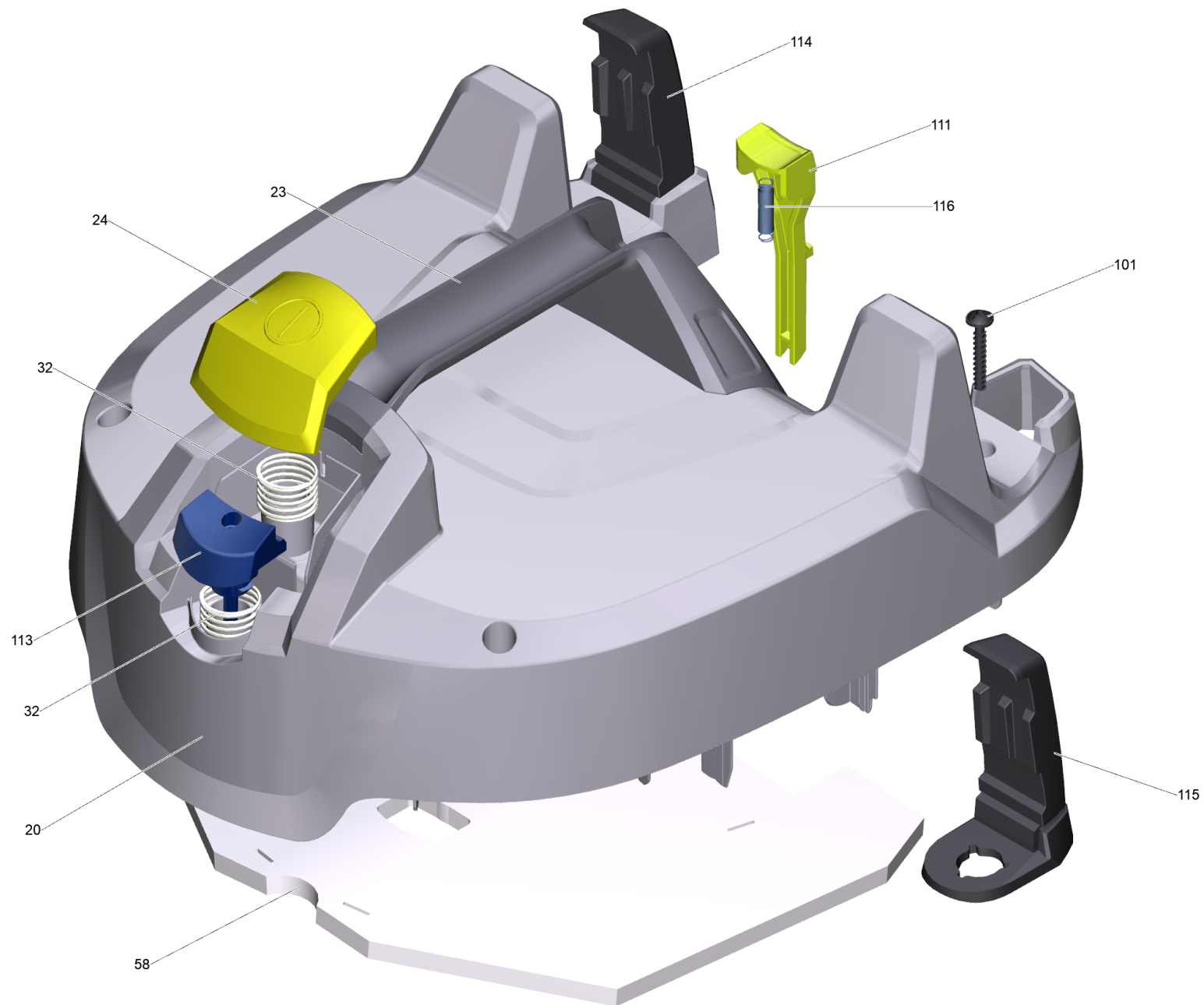


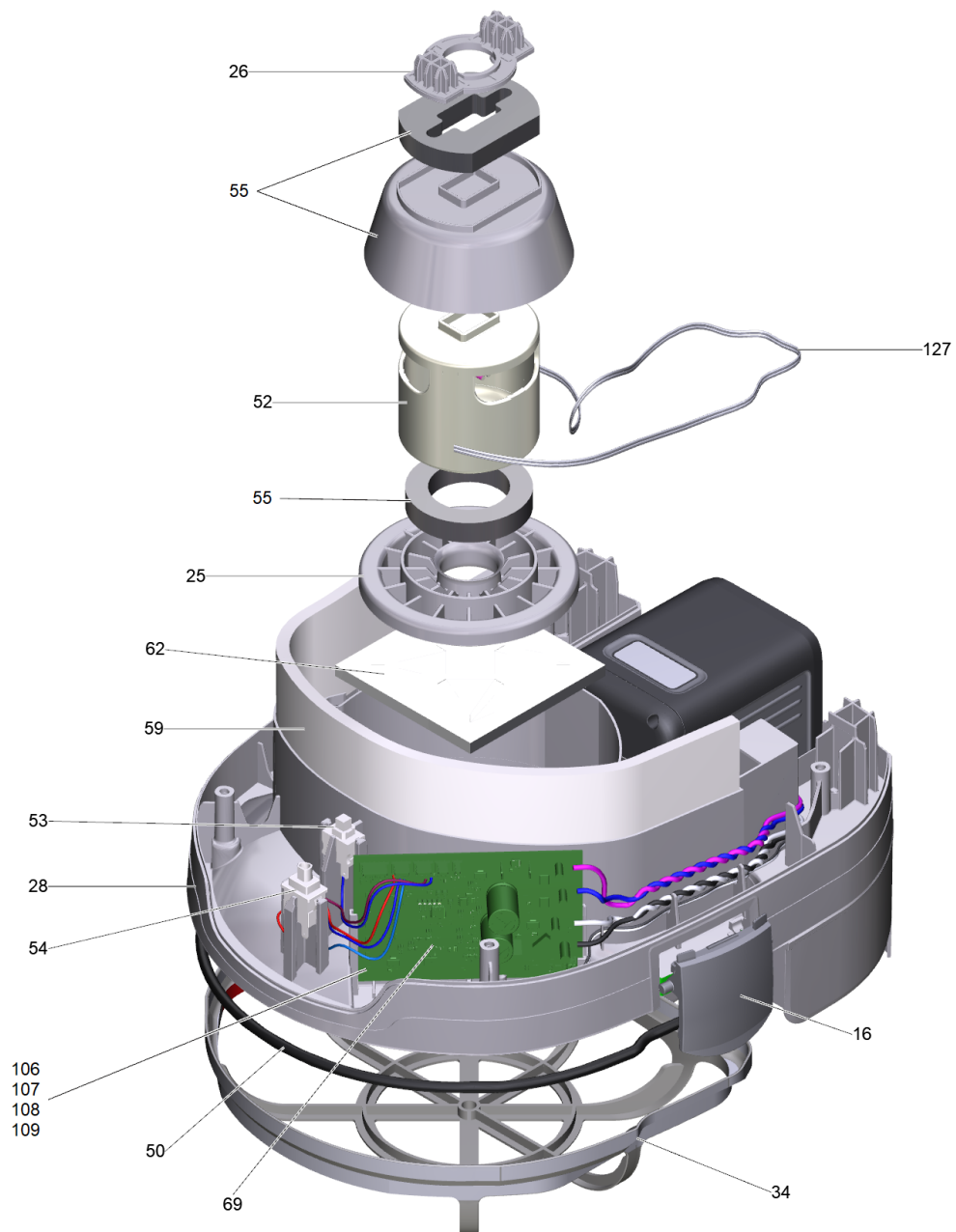
Spare parts list

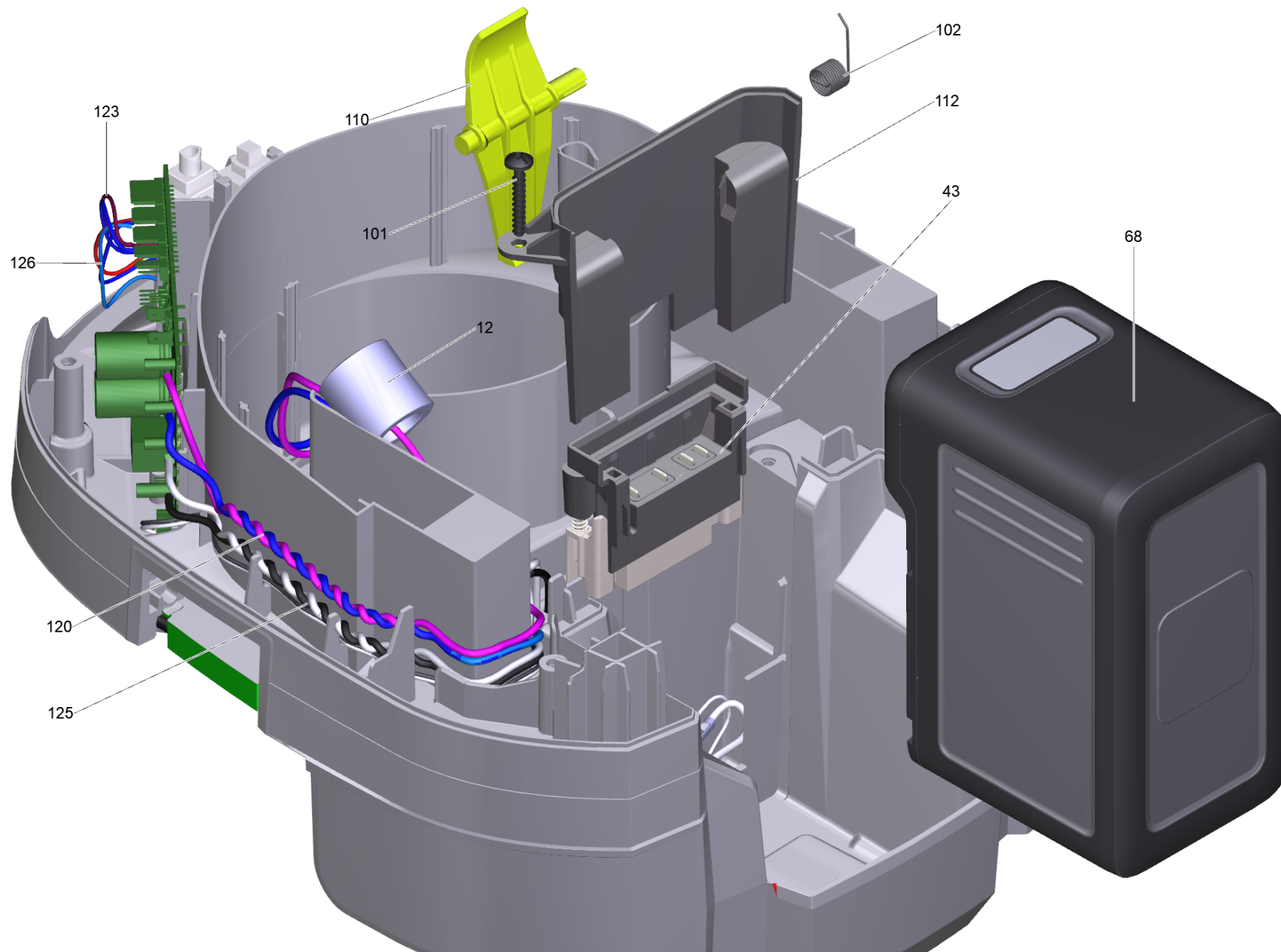
(1.528-133.0) T 9/1 Bp *INT

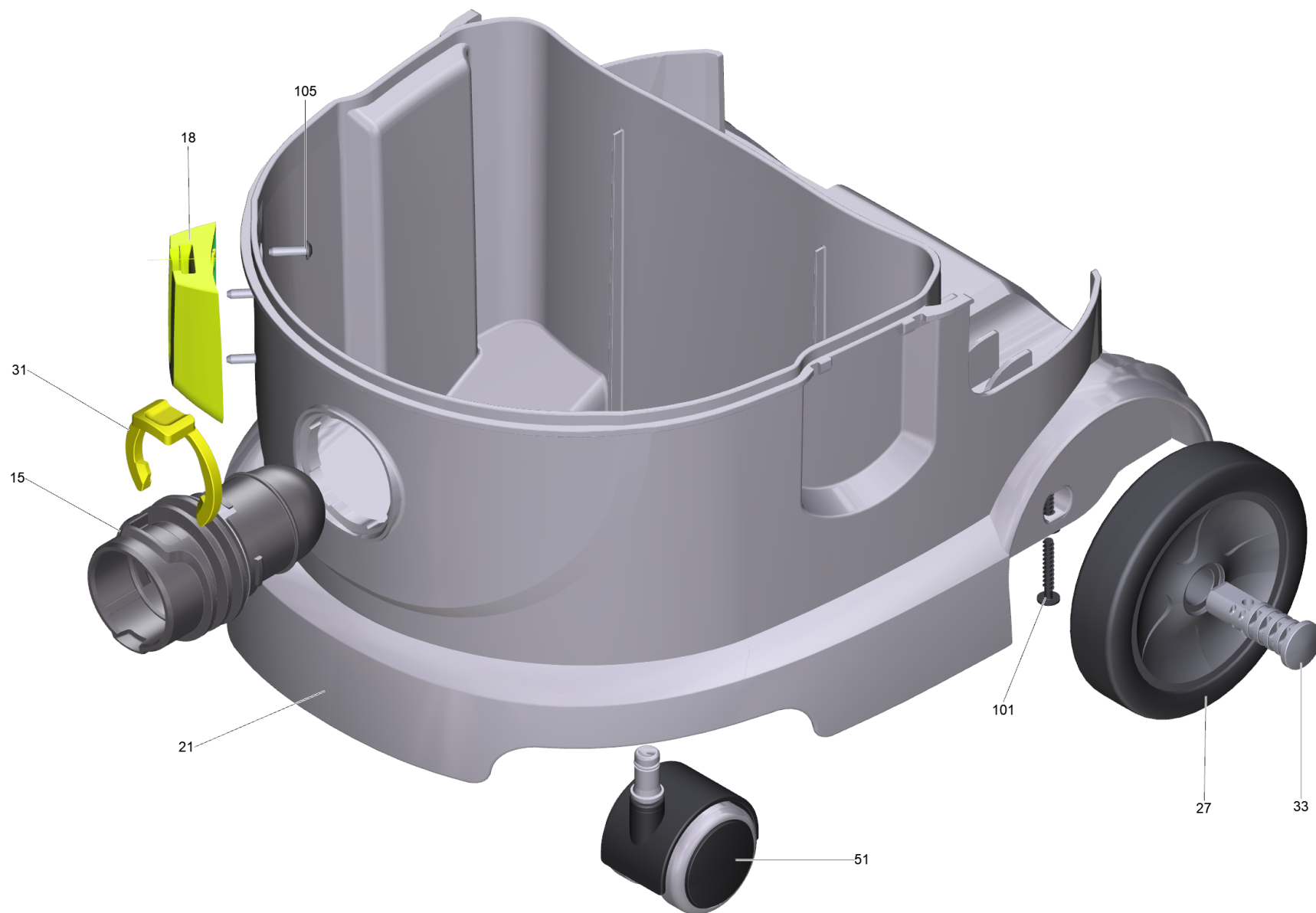
Table of contents

T 9/1 Bp *INT (1.528-133.0)	3
79 Elbow packaged antistatic NW35 2K (2.889-148.0)	10
80 Suction hose T DN35 2.5m (2.889-133.0)	12
900 Adapter old packaged NW35 (2.889-312.0)	14









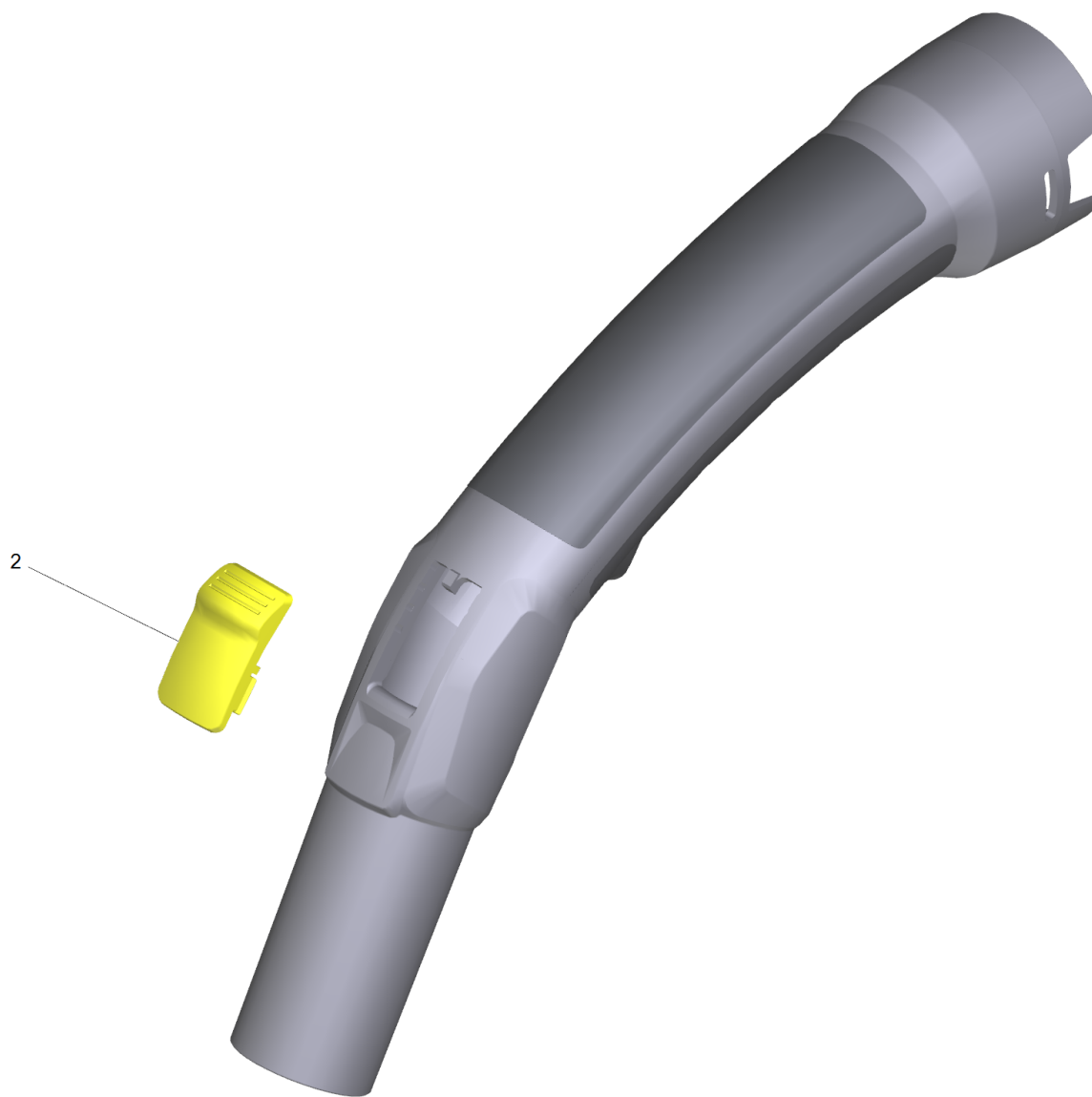


T 9/1 Bp *INT (1.528-133.0)

POS	Article no.	Description	Quantity	Unit
900	2.889-312.0	Adapter old packaged NW35	1	PC
70	2.445-045.0	Battery charger Battery Power+ 36/60 *EU	1	PC
68	2.445-043.0	Battery Power+ 36/75 *INT	1	PC
52	6.490-353.3	BLDC motor for replacement	1	PC
33	5.317-379.0	Bolt basalt grey RAL 7012	2	PC
125	6.651-071.3	Cable battery electronics T 9/1 Bp Pack	1	PC
127	6.651-146.3	Cable for replacement BLDC motor communic. electronics	1	PC
123	6.650-608.0	Cable pushbutton	1	PC
126	6.651-144.3	Cable switch with LED	1	PC
120	6.650-842.0	Cable turbine	1	PC
51	6.435-707.0	Castor	2	PC
43	4.051-354.3	Contact carrier ejector BP/NT	1	PC
69	4.683-275.3	Control system electronics for replacement	1	PC
20	5.069-537.3	Cover for replacement	1	PC
85	6.900-385.0	Crevice nozzle DN35	1	PC
79	2.889-148.0	Elbow packaged antistatic NW35 2K	1	PC
83	6.904-335.0	Filter bags-fleece 10x T	1	PC
34	5.731-628.0	Filtering basket packaged T9/1 Bp	1	PC
62	6.414-022.0	Filter motor protecting	1	PC
81	2.889-129.0	Floor tool basalt grey packaged NW35	1	PC
18	5.032-931.0	Floor tool holder	1	PC
23	5.322-205.0	Handhold	1	PC
107	7.311-001.0	Hexagon nut M4 -6-A2E ISO 4032	3	PC
109	7.311-002.0	Hexagon nut M5 -6-A2E ISO 4032	1	PC
112	5.045-147.3	Holder battery for replacement	1	PC
115	5.045-083.0	Holder hose left T 9/1 BP	1	PC
114	5.045-082.0	Holder hose right T 9/1 BP	1	PC
28	5.605-157.3	Housing base plate for replacement T 9/1 Bp Pack	1	PC
58	6.286-042.0	Insulating mat motor T 9/1 BP	1	PC
59	6.286-043.0	Insulating mat T 9/1 BP	1	PC
102	6.330-264.0	Leg spring	1	PC
16	5.034-101.0	Locking clip	2	PC
110	5.051-921.3	Locking part battery for replacement	1	PC

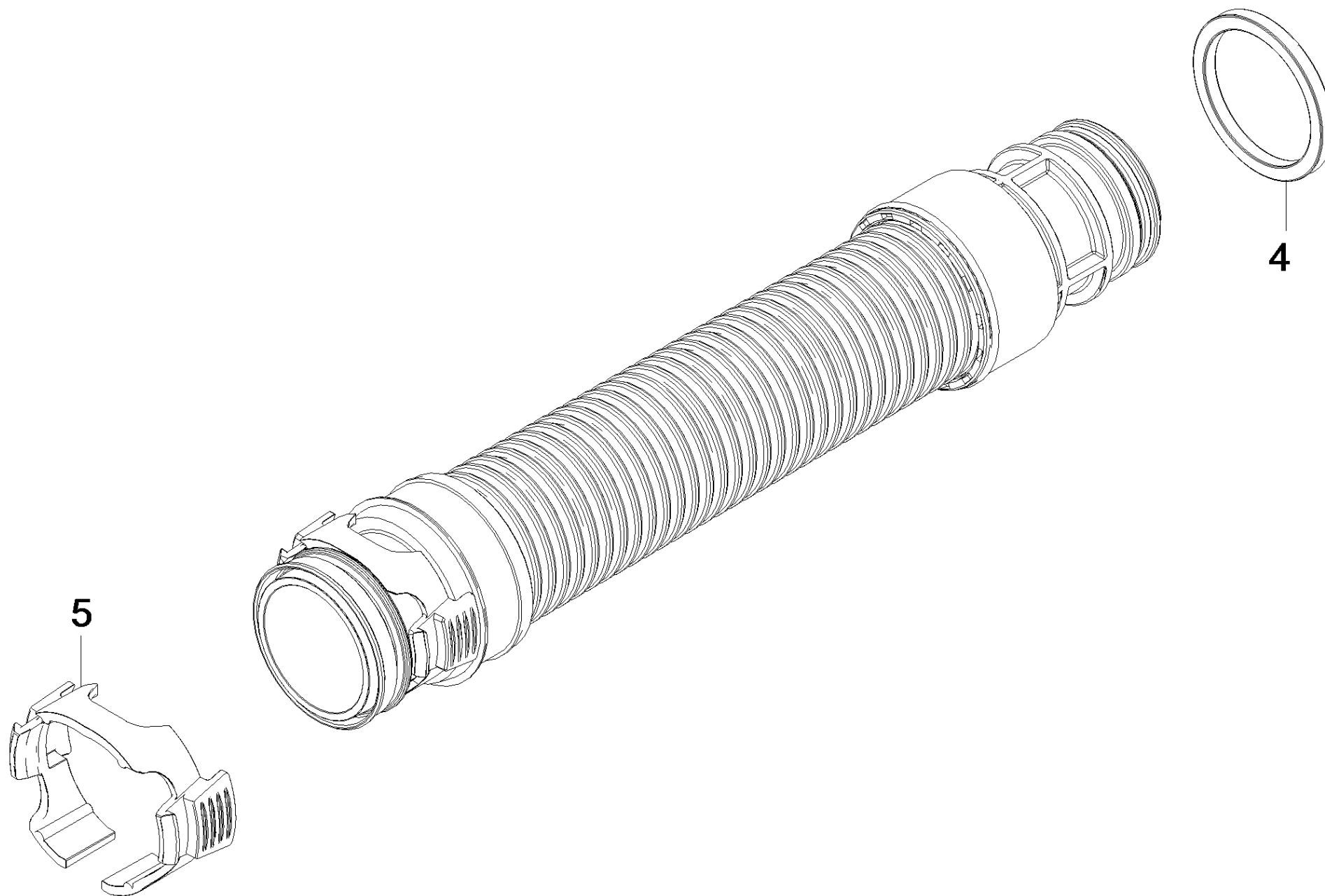
T 9/1 Bp *INT (1.528-133.0)

POS	Article no.	Description	Quantity	Unit
31	5.343-022.0	Locking ring	1	PC
116	6.330-160.0	Pressure spring	1	PC
105	7.303-205.0	Screw 4x16-St-10.9-R2R (K-In6Rd)	3	PC
101	7.303-086.0	Screw 5x30 -10.9-R2R (K-In6Rd)	11	PC
50	6.273-257.0	Seal string cellular rubber D6	1	PC
26	5.363-212.0	Seal turbine above T 9/1 BP	1	PC
25	5.363-463.0	Seal turbine bottom T 9/1 Bp Pack	1	PC
55	4.071-644.0	Set cover for replacement BLDC	1	PC
113	4.324-061.0	Set pushbutton	1	PC
24	4.324-072.0	Set pushbutton only for replacement	1	PC
32	5.332-934.0	Spring Pushbutton on/off	2	PC
106	6.645-664.0	Spring washer B 4	3	PC
108	7.313-002.0	Spring washer B5-FSt-MZN DIN 127	1	PC
15	5.034-163.0	Suction connection T	1	PC
80	2.889-133.0	Suction hose T DN35 2.5m	1	PC
53	6.630-396.0	Switch	1	PC
54	6.630-983.3	Switch for replacement with LED	1	PC
21	5.071-412.3	Tank T 9/1 BP	1	PC
82	2.862-008.0	Telescopic suction tube T/NT DN35 615-1007mm St	1	PC
111	5.324-212.3	Unlocking button battery for replacement T 9/1 Bp Pack	1	PC
27	5.515-355.0	Wheel basalt grey RAL 7012	2	PC



79 Elbow packaged antistatic NW35 2K (2.889-148.0)

POS	Article no.	Description	Quantity	Unit
2	4.071-800.0	Slider elbow for replacement	1	PC



80 Suction hose T DN35 2.5m (2.889-133.0)

POS	Article no.	Description	Quantity	Unit
4	5.363-255.0	Seal X-shaped	1	PC
5	5.031-140.0	Tension ring NW35	1	PC

900 Adapter old packaged NW35 (2.889-312.0)

POS	Article no.	Description	Quantity	Unit
2	5.031-703.0	Tension ring C35	1	PC