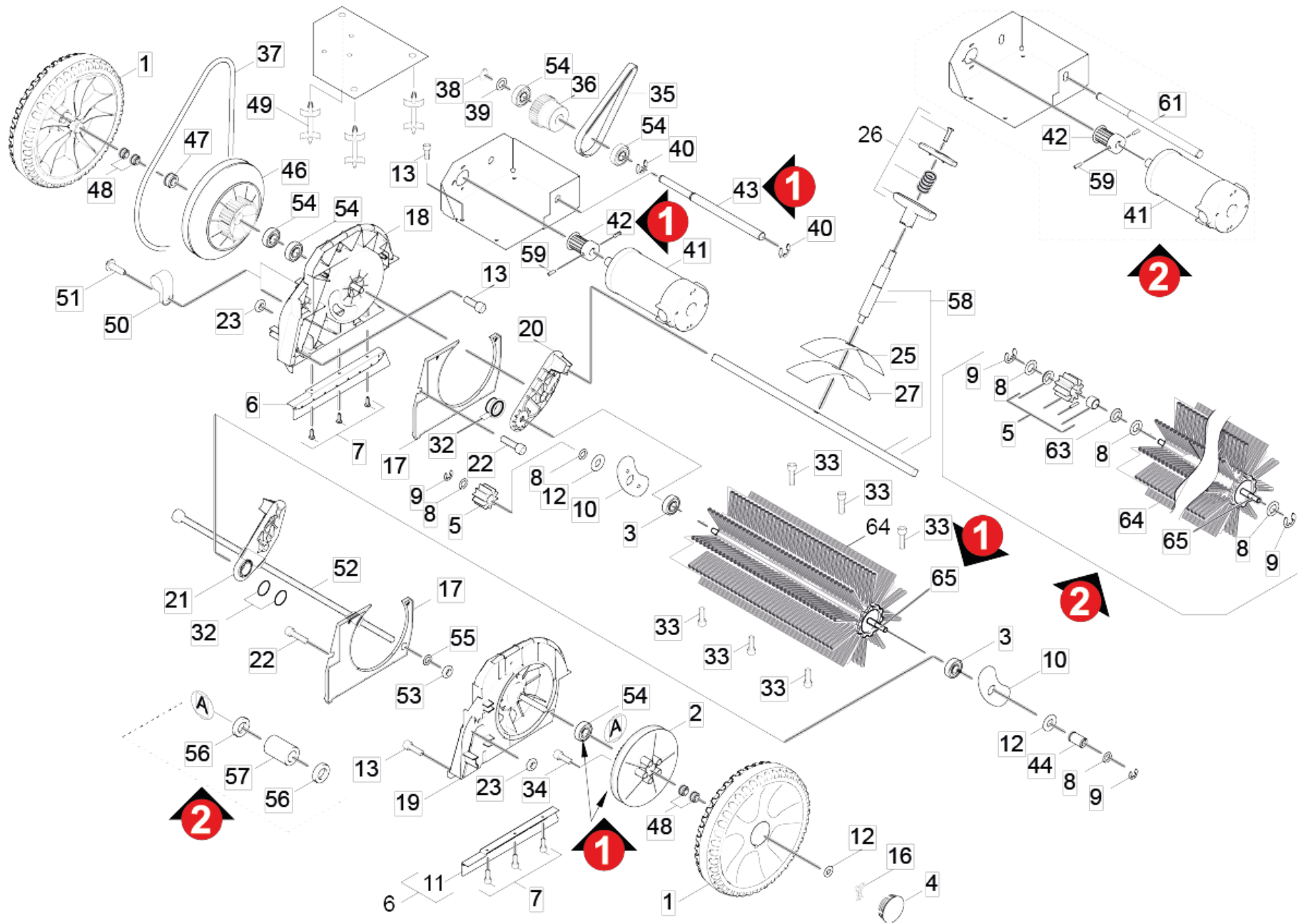


# 20 Transmission

Professional \ Sweepers \ Walk behind \ Electric motor \ KM 70/30 C Bp Adv \ Spare parts list KM 70/30 C \ Transmission



## 20 Transmission

Professional \ Sweepers \ Walk behind \ Electric motor \ KM 70/30 C Bp Adv \ Spare parts list KM 70/30 C \ Transmission



POS	Article no.	Description	Quantity	Unit	Remark	Foot note text
19	5.032-917.0	Axle drum left	1	PC		
18	5.032-906.0	Axle drum right	1	PC		
54	6.401-363.0	Ball bearing	5	PC		
3	7.401-008.0	Ball bearing 6001-2RS Edelmetall DIN 625-1	2	PC		
2	5.625-451.0	Belt pulley	1	PC		
46	5.625-467.0	Belt pulley	1	PC		
36	4.040-816.0	Belt pulley complete	1	PC		
50	6.641-460.0	Cable clamp	2	PC		
16	2.644-246.0	Conversion kit spring clip KM 70/30	1	PC		
17	5.032-653.0	Covering cap	2	PC		
49	6.646-698.0	Distance holder	3	PC		
41	6.613-324.0	Electric motor 12V 150W	1	PC		
10	6.365-360.0	Gasket disc	2	PC		
58	4.021-003.0	Height adjustment cpl. stainless steel	1	PC		
23	7.311-200.0	Hexagon nut M6 -04-A2E ISO 4035	4	PC		
53	7.311-425.0	Hexagon nut M6-04-A2E DIN 985	1	PC		
38	7.343-003.0	Locking ring 12x1-Rf-St DIN 471	1	PC		
9	7.343-302.0	Lock washer 8 -St-ph DIN 6799	2	PC	VERSION 1	
9	7.343-047.0	Lock washer 10-FST-A2E DIN 6799	2	PC	VERSION 2	
40	7.343-306.0	Lock washer 12-St-A2E DIN 6799	2	PC		
32	6.362-366.0	O-Ring seal 4,0 X 2,0	4	PC		
5	4.040-791.0	Pinion sprag clutch complete rechts	1	PC	VERSION 2	
5	4.352-012.0	Pinion with sprag clutch	1	PC	VERSION 1	
48	6.403-055.0	Plain bearing	4	PC		
25	5.010-018.0	Plate stainless steel	1	PC		
64	6.906-041.0	Reversing rolling mill	1	PC		OPTION
64	6.907-023.0	Reversing rolling mill antistatic	1	PC		OPTION
64	6.903-999.0	Reversing rolling mill hard	1	PC		OPTION
64	6.903-995.0	Reversing rolling mill soft	1	PC		OPTION
37	6.348-028.0	Round belt D 8	1	PC		
51	7.303-129.0	Screw 4x16-10.9-R2R (K-In6Rd)	2	PC		
7	7.303-107.0	Screw 5x16 -10.9-P2R (K-In6Rd)	14	PC		

## 20 Transmission

Professional \ Sweepers \ Walk behind \ Electric motor \ KM 70/30 C Bp Adv \ Spare parts list KM 70/30 C \ Transmission



POS	Article no.	Description	Quantity	Unit	Remark	Foot note text
34	7.303-108.0	Screw 5x20 -10.9-R2R (In6Rd)	5	PC		
33	7.303-210.0	Screw 5x30-10.9-P2R (In6Rd)	1	PC		
13	7.303-113.0	Screw 6x25 -10.9-R2R (In6Rd)	6	PC		
22	7.306-118.0	Screw M 6x35 -8.8-P2R (In6Rd)	4	PC		
27	5.363-630.0	Seal	1	PC		
26	2.644-184.0	Set handhold height adjustment	1	PC		
6	2.644-185.0	Set side strip cpl. KM 70/30 C	1	PC		
4	2.889-086.0	Set wheel cap	2	PC		
65	5.100-642.0	Shaft	1	PC	VERSION 2	
61	5.100-635.0	Shaft	1	PC	Version 2	
43	5.100-499.0	Shaft hexagon	1	PC	Version 1	
8	7.343-216.0	Shim ring 10x16x0,5-St2K50 DIN988	4	PC	VERSION 1	
8	7.343-099.0	Shim ring 12x18x0,5 -St2K50 DIN 988	4	PC	VERSION 2	
11	5.394-803.0	Skirting left	1	PC		
63	5.033-585.0	Sleeve	1	PC	VERSION 2	
47	5.116-202.0	Spacer sleeve	1	PC		
44	5.110-514.0	Spacer sleeve	1	PC		
57	5.112-814.0	Spacer sleeve	1	PC		
16	6.313-022.0	Spring clip	1	PC		
65	7.777-999.0	Stockpiling discontinued	1	PC	Version 1	
21	5.032-643.0	Stub axle left	1	PC		
20	5.032-640.0	Stub axle right	1	PC		
59	7.307-210.0	Threaded pin M4x6-CuZn-E2E ISO 7434	2	PC		
52	5.309-152.0	Threaded rod	1	PC		
35	6.348-432.0	Toothed belt HTD 330-3M-15	1	PC		
42	5.625-534.0	Toothed belt pulley steel 15 Z	1	PC	Version 1 + Version 2	
12	5.115-628.0	Washer	4	PC		
55	7.312-003.0	Washer 6 -200HV-A3E ISO 7089	1	PC		
39	7.312-008.0	Washer 12-200HV-A2K ISO 7089	1	PC		
1	4.515-355.0	Wheel complete	2	PC		