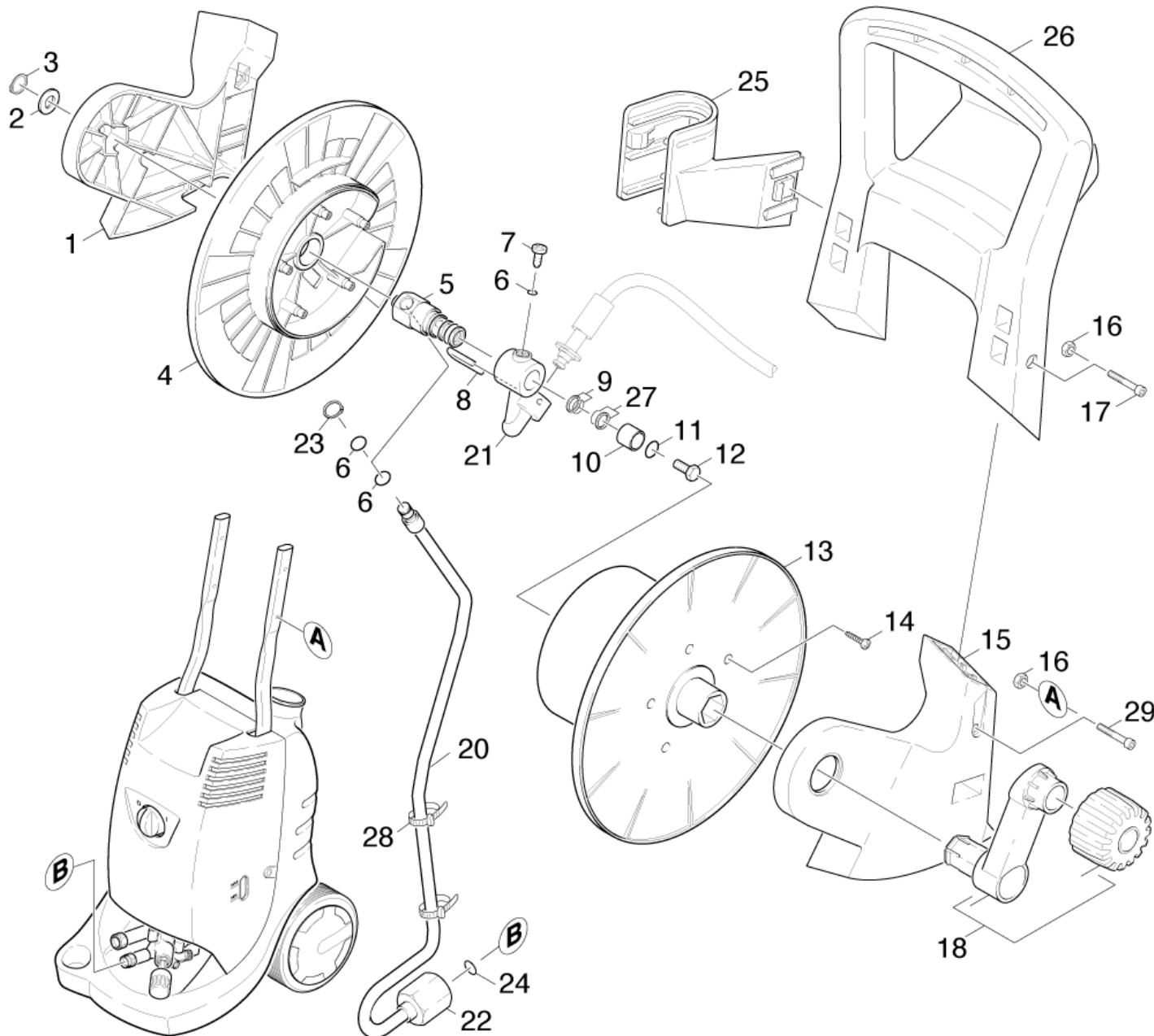


12 Hose reel

Professional \ High pressure cleaner cold water \ Electric motor \ HD 650 SX *AU \ Spare parts list HD 650SX *EUR 230V,1 PH \ Individual parts \ Hose reel

KÄRCHER



12 Hose reel

Professional \ High pressure cleaner cold water \ Electric motor \ HD 650 SX *AU \ Spare parts list HD 650SX *EUR 230V,1 PH \ Individual parts \ Hose reel

KÄRCHER

POS	Article no.	Description	Quantity	Unit
1	5.031-646.0	Moulded part left	1.000	ST
2	7.312-062.0	Washer 10-Kunststoff ISO7089	1.000	ST
3	7.343-303.0	Locking ring 8-A2 DIN 6799	1.000	ST
4	5.031-647.0	Moulded part hose reel	1.000	ST
5	5.108-190.0	Pin	1.000	ST
6	6.362-176.0	O-Ring seal 6,07x1,78	3.000	ST
7	7.304-545.0	Hexagonal head screw M 6x6-8.8-A2E ISO	1.000	ST
8	4.037-013.0	Hook	1.000	ST
9	4.363-693.0	O-Ring seal kpl. -nur fuer Ersatz-	1.000	ST
10	5.110-818.0	Sleeve	1.000	ST
11	6.362-101.0	O-Ring seal 8 X 2	1.000	ST
12	5.304-071.0	Hexagonal head screw M 8X12	1.000	ST
13	5.031-702.0	Moulded part	1.000	ST
14	7.303-096.0	Screw 4x22 -ST-10.9-R2R (IN6RD)	5.000	ST
15	5.031-645.0	Moulded part right	1.000	ST
16	7.311-003.0	Hexagon nut M6 -8-A2E ISO 4032	4.000	ST
17	7.306-024.0	Cylinder head screw M6x30 -8.8-A2E ISO4	2.000	ST
18	4.481-157.0	Lever complete	1.000	ST
20	4.421-578.0	Pipelines complete	1.000	ST
21	5.427-248.0	Manifold	1.000	ST
22	5.311-206.0	Union nut	1.000	ST
23	7.343-300.0	Lock washer 7-A2 DIN 6799	1.000	ST
24	2.880-990.0	Spare part set O-Ring 5x -Kaercher	1.000	ST
25	5.044-082.0	Holder pistol	1.000	ST
26	5.034-542.0	Shearing shackle	1.000	ST
27	6.362-575.0	O-Ring seal 12,42 KOMPL	1.000	ST
28	6.641-458.0	Cable tape nature 4,6x150mm	2.000	ST
29	7.306-129.0	Screw M6x40 -8.8-P2R (In6Rd)	2.000	ST