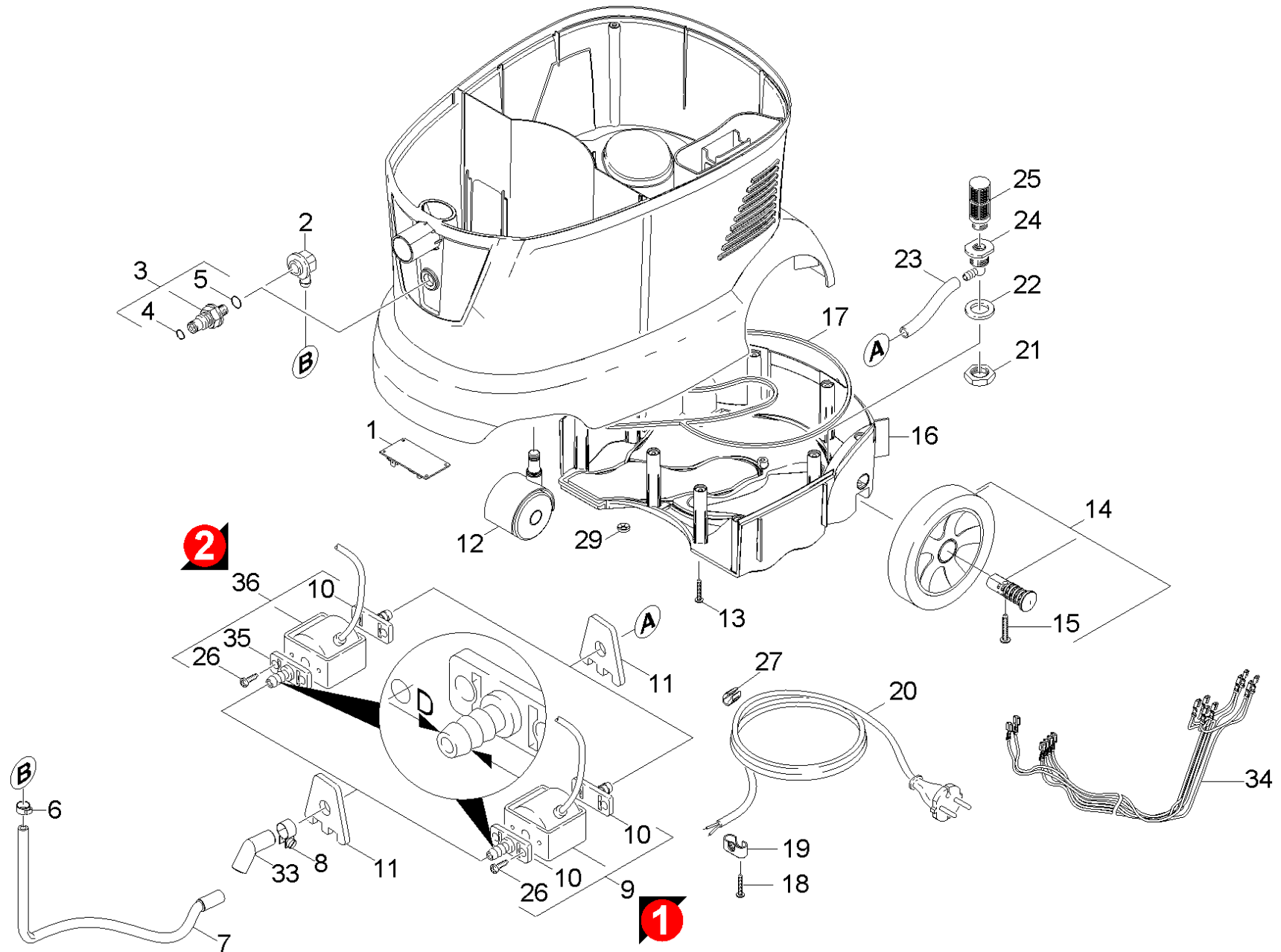


# 20 Individual parts

Professional \ Spray extraction \ PUZZI 8/1 C \*CH \ Spare parts list Puzzi 8/1 C \ Individual parts



## 20 Individual parts

Professional \ Spray extraction \ PUZZI 8/1 C \*CH \ Spare parts list Puzzi 8/1 C \ Individual parts



POS	Article no.	Description	Quantity	Unit	Remark	Foot note text
12	6.435-707.0	Castor	2.000	ST		
34	4.839-382.0	Electrical small parts Puzzi 8/1 C	1.000	ST		
1	4.682-103.0	Electronics only for replacement	1.000	ST		
25	6.414-027.0	Filter	1.000	ST		
16	5.050-353.0	Frame	1.000	ST		
21	6.310-004.0	Hexagon nut G 1/2"	1.000	ST		
8	6.388-556.0	Hose clamp 14-16	1.000	ST		VERSION 1
6	6.389-884.0	Hose clip 11,8	1.000	ST		
8	6.388-701.0	Hose clip with insert 13,3	1.000	ST		VERSION 2
7	5.443-673.0	Hose DN 6,7	1.000	ST		
2	5.443-437.0	Hose stem	1.000	ST		
24	5.443-246.0	Hose stem	1.000	ST		
35	5.443-663.0	Hose stem D 7,5	1.000	ST	D = 7,5mm	VERSION 2
10	5.443-439.0	Hose stem D9,5	2.000	ST	D = 9,5mm	VERSION 1+2
33	5.443-669.0	Insulating hose	1.000	ST		
22	5.363-108.0	Joint ring	1.000	ST		
29	6.343-119.0	Lock washer	1.000	ST		
9	6.473-376.0	Moto - pompe	1.000	ST		VERSION 1
3	4.409-001.0	Nipple complete	1.000	ST		
5	6.362-797.0	O-Ring seal 9,0 X 2,0	1.000	ST		
23	5.442-924.0	Piece of tube	1.000	ST		
27	5.032-940.0	Plug fixing black	1.000	ST		
20	6.647-266.0	Power cable 7,5m PVC *AUS	1.000	ST	/*AU	
20	6.647-265.0	Power cable 7,5m PVC *CH	1.000	ST	/*CH /*BR	
20	6.647-263.0	Power cable 7,5m PVC *EU	1.000	ST	/*EU	
20	6.647-264.0	Power cable 7,5m PVC *GB	1.000	ST	/*GB	
19	5.034-505.0	Retaining bracket cable	1.000	ST		
18	7.303-129.0	Screw 4x16 -10.9-R2R (K-In6Rd)	2.000	ST		
13	7.303-084.0	Screw 4x25 -10.9-R2R (K-In6Rd)	4.000	ST		
15	7.303-086.0	Screw 5x30 -10.9-R2R (K-In6Rd)	2.000	ST		
26	7.306-236.0	Screw M4x6 -8.8-R2R (In6Rd)	4.000	ST		
17	4.363-028.0	Seal frame only for replacement	1.000	ST		
11	5.250-152.0	seal pump puzzi 8/1	2.000	ST		

## 20 Individual parts

Professional \ Spray extraction \ PUZZI 8/1 C \*CH \ Spare parts list Puzzi 8/1 C \ Individual parts



POS	Article no.	Description	Quantity	Unit	Remark	Foot note text
4	2.883-151.0	Spare part set O-Ring seal	1.000	ST		
36	6.473-570.0	Vibrating piston pump 230V-GOTEC D7,5	1.000	ST		VERSION 2
14	4.515-278.0	Wheel complete only for replacement	1.000	ST		