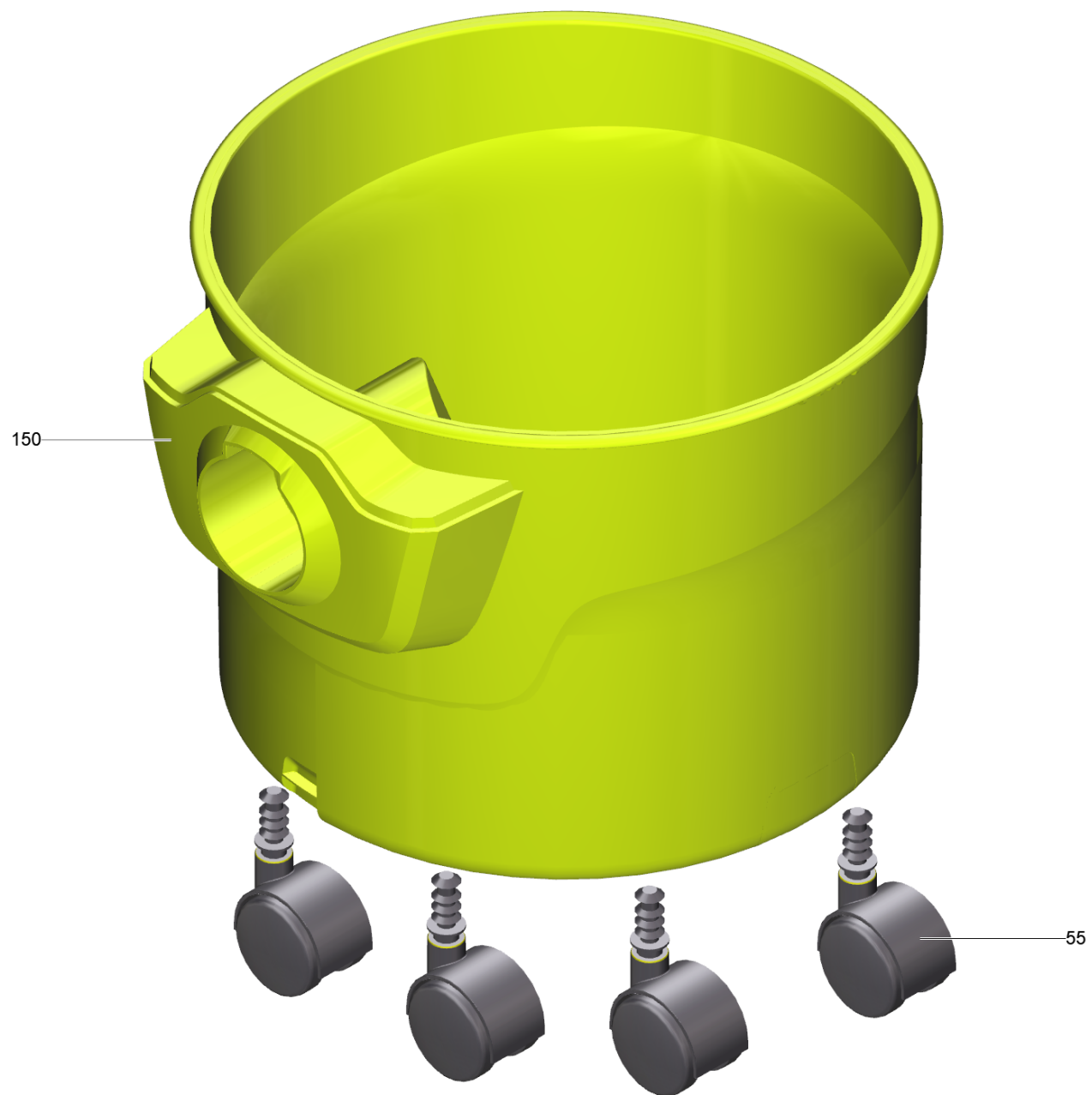


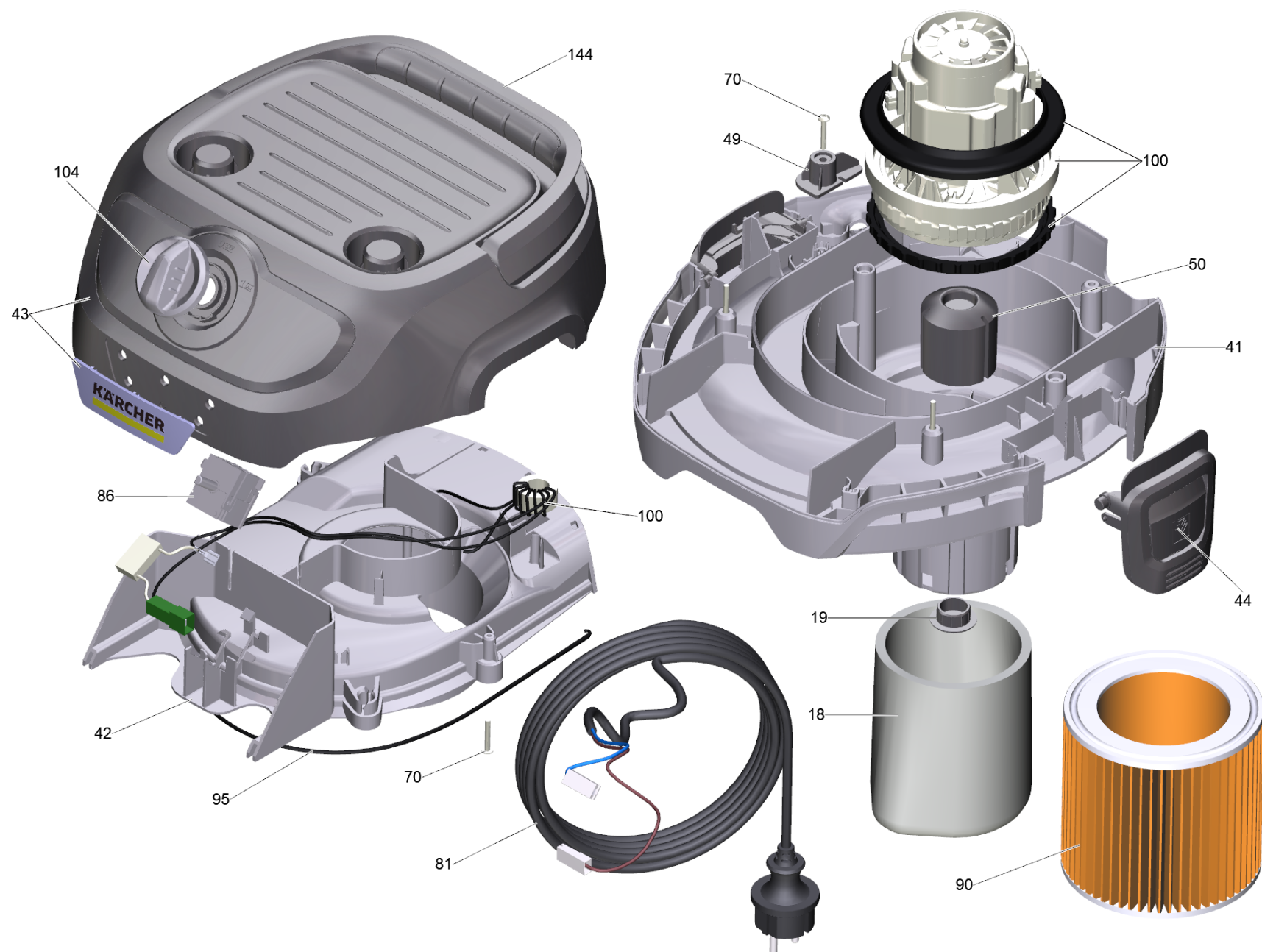
Spare parts list

(1.628-401.0) KWD 1 W V-12/2/18 (BY-) *EU

Table of contents

| | |
|--|----|
| KWD 1 W V-12/2/18 (BY-) *EU (1.628-401.0) | 3 |
| 4 Suction hose complete for replacement WD 2 (4.440-132.3) | 7 |
| 150 Tank plastics for replacement 12L YYB-W (4.628-008.3) | 9 |
| 904 Vacuum kit for power tools WD 2St. (2.863-112.0) | 10 |

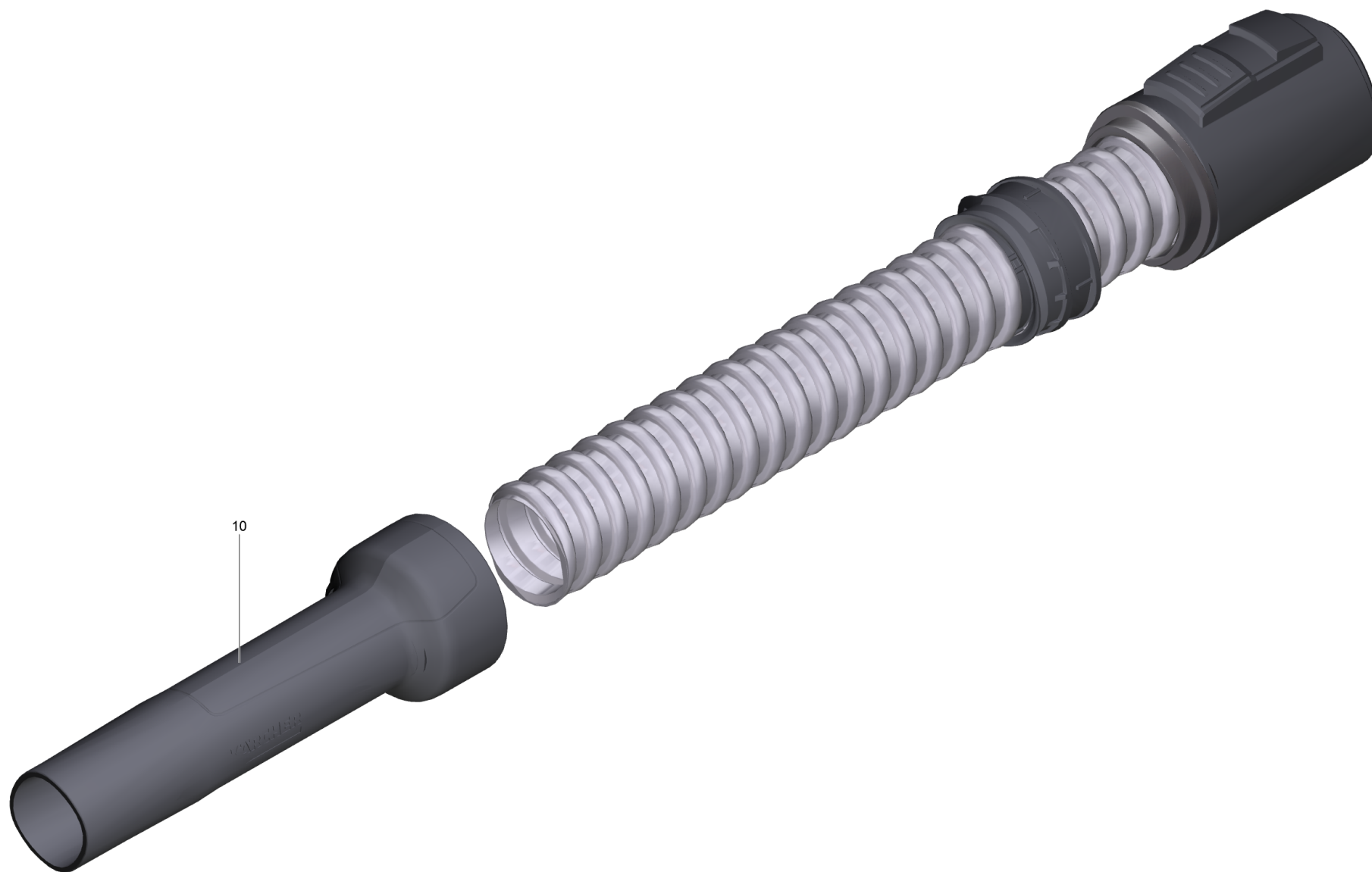






KWD 1 W V-12/2/18 (BY-) *EU (1.628-401.0)

| POS | Article no. | Description | Quantity | Unit |
|-----|-------------|--|----------|------|
| 3 | 2.863-314.0 | Filter bag fleece WD 2 Plus/3 4ST | 1 | PC |
| 4 | 4.440-132.3 | Suction hose complete for replacement WD 2 | 1 | PC |
| 5 | 2.863-308.0 | Extension suction tube WD ID 35 | 2 | PC |
| 8 | 6.900-385.0 | Crevice nozzle DN35 | 1 | PC |
| 9 | 4.629-013.0 | Floor tool clip packaged | 1 | PC |
| 10 | 4.629-016.0 | Mixing insert floor nozzle packaged | 1 | PC |
| 18 | 5.731-595.0 | Filter | 1 | PC |
| 19 | 5.628-031.0 | Covering cap filtering basket | 1 | PC |
| 41 | 5.628-042.3 | Motor bracket yellow for replacement | 1 | PC |
| 42 | 5.628-043.3 | Air circulation for replacement yellow WD2 | 1 | PC |
| 43 | 4.628-013.3 | Cover complete for replacement WD 2 -B | 1 | PC |
| 44 | 5.628-033.3 | Closure grey for replacement WD 2/3 | 2 | PC |
| 49 | 5.628-015.0 | Strain relief | 1 | PC |
| 50 | 5.628-013.0 | Float | 1 | PC |
| 55 | 6.435-353.0 | Castor D 42 | 4 | PC |
| 70 | 9.086-221.0 | Screw ATF 4.1x22 | 7 | PC |
| 81 | 6.647-996.0 | Cable with plug *EU Cable with plug | 1 | PC |
| 86 | 6.630-984.3 | Rotary switch for replacement Marquardt (on/off) | 1 | PC |
| 90 | 2.863-303.0 | Cartridge filter WD/SE | 1 | PC |
| 95 | 5.628-011.0 | Sealing motor bracket | 1 | PC |
| 100 | 4.624-431.3 | Blower motor cpl. for replacement KCL 220-240V | 1 | PC |
| 104 | 5.628-035.3 | Handle grey for replacement | 1 | PC |
| 144 | 5.628-032.3 | Handhold black for replacement | 1 | PC |
| 150 | 4.628-008.3 | Tank plastics for replacement 12L YYB-W | 1 | PC |
| 900 | 2.863-306.0 | Crevice nozzle extra long WD | 1 | PC |
| 901 | 2.863-316.0 | Car nozzle | 1 | PC |
| 902 | 2.863-221.0 | Suction brush kit WD 2pc. | 1 | PC |
| 903 | 2.863-305.0 | Extension suction hose 3,5m | 1 | PC |
| 903 | 4.441-068.0 | Hose extension packaged 1,5 m | 1 | PC |
| 904 | 2.863-112.0 | Vacuum kit for power tools WD 2St. | 1 | PC |
| 905 | 9.048-061.0 | Connecting sleeve | 1 | PC |
| 906 | 2.863-234.0 | Drill Dust Catcher WD | 1 | PC |
| 907 | 2.863-000.0 | Wet and dry nozzle switchable WD/SE | 1 | PC |



4 Suction hose complete for replacement WD 2 (4.440-132.3)

| POS | Article no. | Description | Quantity | Unit |
|------------|--------------------|--------------------------------|-----------------|-------------|
| 10 | 5.628-016.3 | Hand grip WD 2 for replacement | 1 | PC |

150 Tank plastics for replacement 12L YYB-W (4.628-008.3)

| POS | Article no. | Description | Quantity | Unit |
|------------|--------------------|--|-----------------|-------------|
| 2 | 4.628-043.0 | Suction connection container plastic Y | 1 | PC |

904 Vacuum kit for power tools WD 2St. (2.863-112.0)

| POS | Article no. | Description | Quantity | Unit |
|------------|--------------------|--------------------|-----------------|-------------|
| 10 | 9.048-061.0 | Connecting sleeve | 1 | PC |
