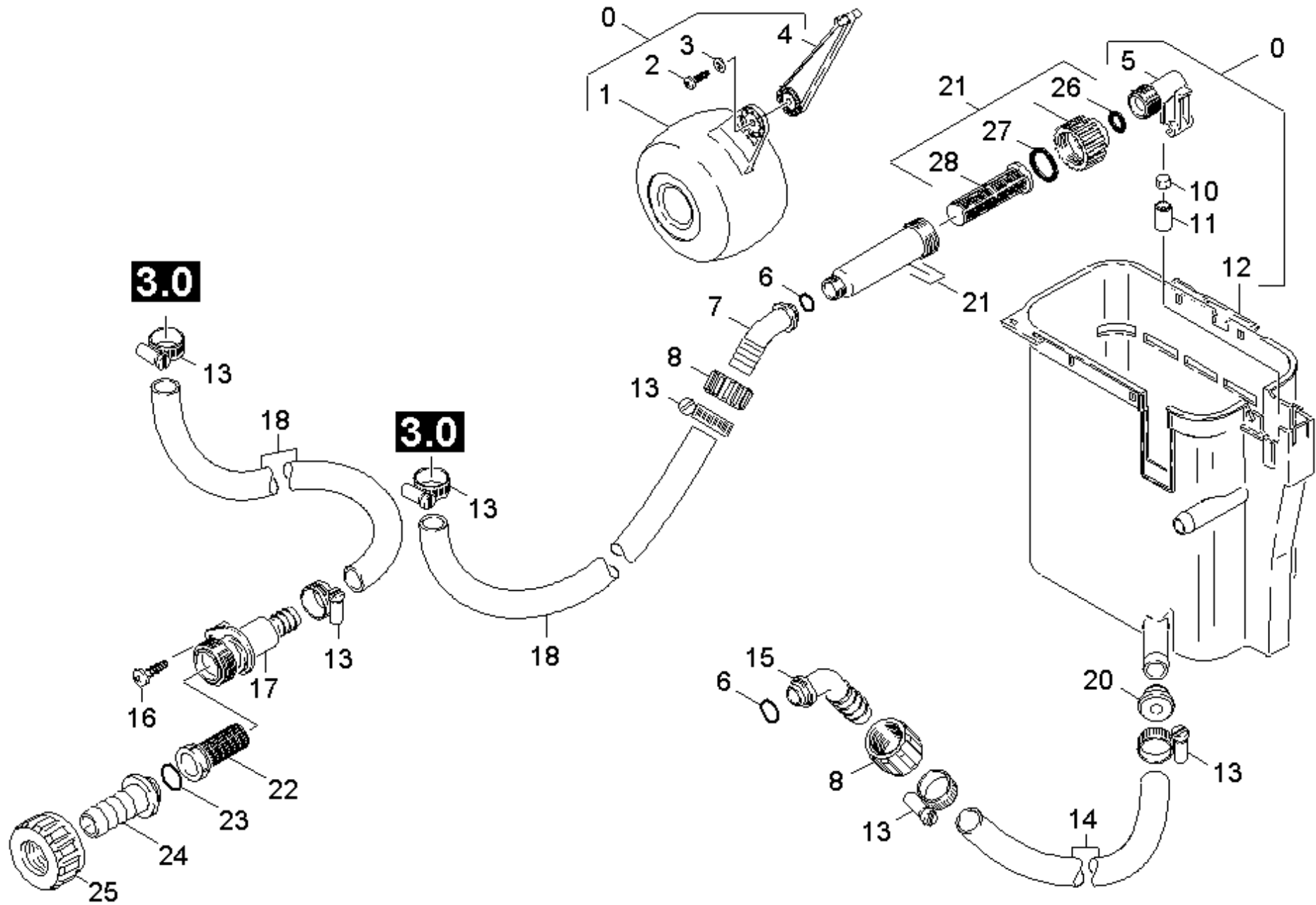


81 Float chest

Professional \ High pressure cleaner hotwater \ Electric motor \ HDS 745 M ECO *GB \ Spare parts list HDS 655 M ECO \ Float chest \ Float chest



81 Float chest

Professional \ High pressure cleaner hotwater \ Electric motor \ HDS 745 M ECO *GB \ Spare parts list HDS 655 M ECO \ Float chest \ Float chest



POS	Article no.	Description	Quantity	Unit	Foot note text
20	5.112-189.0	Bush	1.000	ST	
10	5.364-095.0	Flat gasket	1.000	ST	
1	5.585-004.0	Float	1.000	ST	
0	3.593-082.0	Float valve	1.000	ST	
	Item text1: / 1.026-303.0 / -304.0 / -347.0 /				
0	3.593-108.0	Float valve only for replacement	1.000	ST	
	Item text1: / 1.026-345.0 / -346.0 / -348.0				
13	7.373-022.0	Hose clip A-16-27x9 -W2-2 DIN3017	6.000	ST	
18	6.388-719.0	Hose DN17	1.000	M	TO ORDER AS CUT GOODS
15	5.443-211.0	Hose stem	1.000	ST	
7	5.443-285.0	Hose stem	1.000	ST	
24	5.443-291.0	Hose stem	1.000	ST	
4	5.481-118.0	Lever	1.000	ST	
17	5.427-154.0	Manifold	1.000	ST	
25	5.310-076.0	Nut	1.000	ST	
8	5.310-062.0	Nut	2.000	ST	
6	6.362-078.0	O-Ring seal 13,3x2,4	2.000	ST	
23	6.362-161.0	O-Ring seal 19,3 X 2,4	1.000	ST	
14	6.392-256.0	Piece of tube 19x4x430	1.000	ST	
2	7.303-104.0	Screw 5x16 -A2-70 (IN6RD)	1.000	ST	
16	7.303-112.0	Screw 6x20 -10.9-R2R (In6Rd)	1.000	ST	
26	5.363-545.0	Seal	1.000	ST	
27	5.363-336.0	Seal	1.000	ST	
22	6.414-141.0	Strainer	1.000	ST	
12	5.070-140.0	Tank	1.000	ST	
5	5.587-147.0	Valve housing	1.000	ST	
11	5.584-085.0	Valve pin	1.000	ST	
3	7.312-282.0	Washer 5 -A2 ISO 7093-1	1.000	ST	
28	5.731-587.0	Water filter	1.000	ST	
21	4.730-127.0	Water filter	1.000	ST	