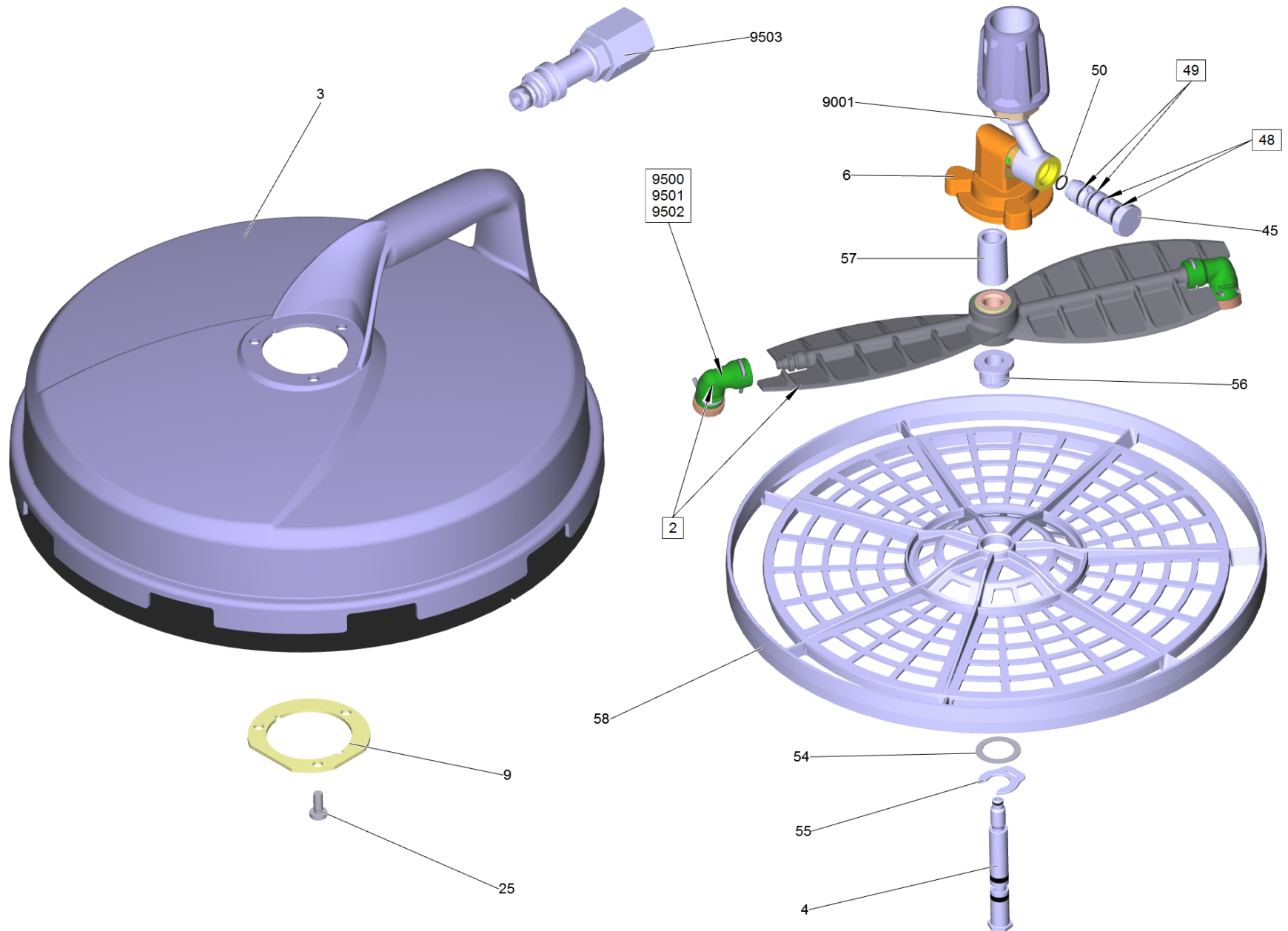


1 Surface cleaner with grate

Professional \ High pressure cleaner hotwater \ Accessories \ FR TR Classic \ Spare parts list FR TR Classic \ Surface cleaner with grate



1 Surface cleaner with grate

Professional \ High pressure cleaner hotwater \ Accessories \ FR TR Classic \ Spare parts list FR TR Classic \ Surface cleaner with grate

KÄRCHER

POS	Article no.	Description	Quantity	Unit
2	2.885-297.0	Spare part set Rotor FR Classic	1.000	ST
3	4.066-432.0	Cover complete FR Classic	1.000	ST
4	2.885-298.0	Spare part set Lagerzapfen	1.000	ST
6	5.481-451.0	Base body	1.000	ST
9	5.122-003.0	Flange	1.000	ST
25	7.306-181.0	Screw M 5x 12-A2-70 (In6Rd)	3.000	ST
33		Operating manual FR TR Classic	1.000	ST
45	5.100-569.0	Axle	1.000	ST
48	6.363-614.0	O-Ring seal 9 x 2 -NBR90	2.000	ST
49	6.362-384.0	O-Ring seal 9x1,5 - NBR 70	2.000	ST
50	6.363-111.0	O-Ring seal 7,0 X 1 -NBR 70	1.000	ST
54	7.343-079.0	Shim ring 17x24x0,5 -A2 DIN 988	1.000	ST
55	7.343-206.0	Lock washer 12-2.1030 DIN 6799	1.000	ST
56	5.035-439.0	Sleeve	1.000	ST
57	5.901-225.0	Sleeve	1.000	ST
58	5.394-873.0	Grate T 400 Plus	1.000	ST
9001	4.111-040.0	Hinge part trapezoidal thread only for r	1.000	ST
9500	2.885-436.0	Spare parts set power nozzle 15014	1.000	ST
9501	2.885-313.0	Spare parts set power nozzle 15017	1.000	ST
9502	2.885-312.0	Spare part set nozzles 020	1.000	ST
9503	4.111-022.0	Screw union TR FR TR22-TR20	1.000	ST