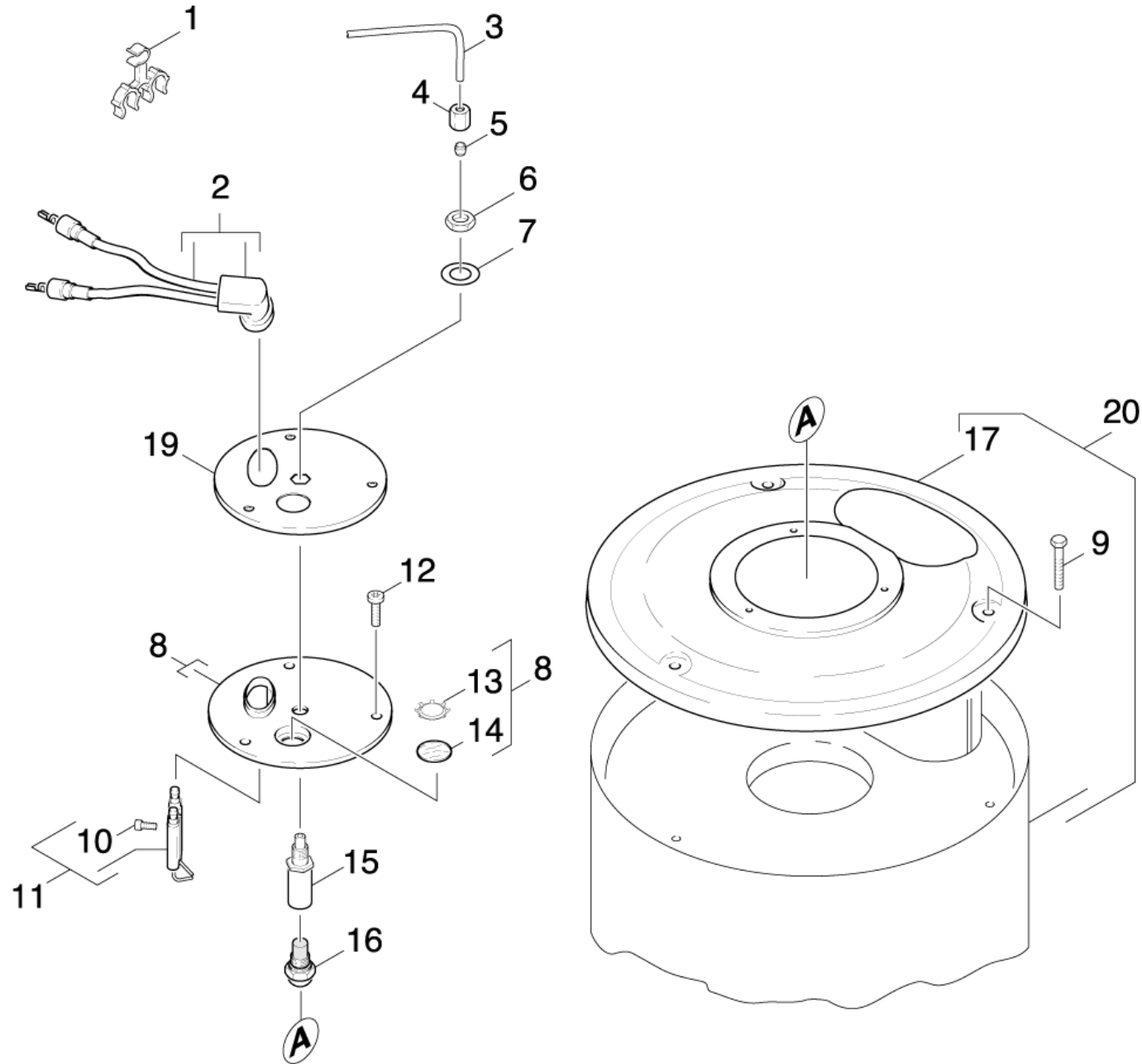


# 71 Burner cover

Professional \ High pressure cleaner hotwater \ Electric motor \ HDS 650 4M BASIC\*EU-I \ Spare parts list HDS 695 M ECO \ Flow heater \ Burner cover



## 71 Burner cover

Professional \ High pressure cleaner hotwater \ Electric motor \ HDS 650 4M BASIC\*EU-I \ Spare parts list HDS 695 M ECO \ Flow heater \ Burner cover



POS	Article no.	Description	Quantity	Unit
16	6.415-775.0	Burner nozzle	1.000	ST
	<b>Item text1:</b> 1.025-351.0 /-352.0			
3	5.423-187.0	Conduit fuel	1.000	ST
11	2.638-974.0	Conversion kit ignition electrode	1.000	ST
8	4.654-218.0	Cover pressure boiler	1.000	ST
17	5.654-066.0	Cover pressure boiler	1.000	ST
19	5.654-059.0	Cover pressure boiler	1.000	ST
5	6.389-263.0	Cutting ring d.4	1.000	ST
14	6.278-018.0	Glass pane	1.000	ST
6	7.311-101.0	Hexagon nut M10x1 -04-A2E ISO 8675	1.000	ST
1	6.647-527.0	Holder	1.000	ST
2	4.821-071.0	IGNITION LEAD (HDS 557CI)	1.000	ST
16	6.415-641.0	Nozzle	1.000	ST
	<b>Item text1:</b> / 1.025-318.0 / -319.0 / -320.0			
	<b>Item text2:</b> / -324.0			
16	6.415-682.0	Nozzle 1,35GPH	1.000	ST
	<b>Item text1:</b> / 1.025-311.0 / -312.0 / -315.0 / -316.0			
	<b>Item text2:</b> / -317.0 /-325.0			
15	5.667-055.0	Nozzle holder	1.000	ST
20	4.652-137.0	Outer covering	1.000	ST
	<b>Item text1:</b> 1.025-351.0 /-352.0			
20	4.652-131.0	Outer covering	1.000	ST
	<b>Item text1:</b> 1.025-311.0/-315.0/-316.0/-317.0/-318.0			
	<b>Item text2:</b> /-319.0/-320.0/-324.0/-325.0			
12	7.303-038.0	Screw M5x12 -St-P2R (In6Rd)	3.000	ST
10	7.306-217.0	Screw M5x14 -8.8-R2R (In6Rd)	1.000	ST
9	6.303-258.0	Self-tapping screw	3.000	ST
13	6.343-165.0	Serrated ring	1.000	ST
7	7.312-302.0	Spring washer B10-FST-A2E DIN 137	1.000	ST
4	6.389-262.0	Union nut A 4-LL	1.000	ST