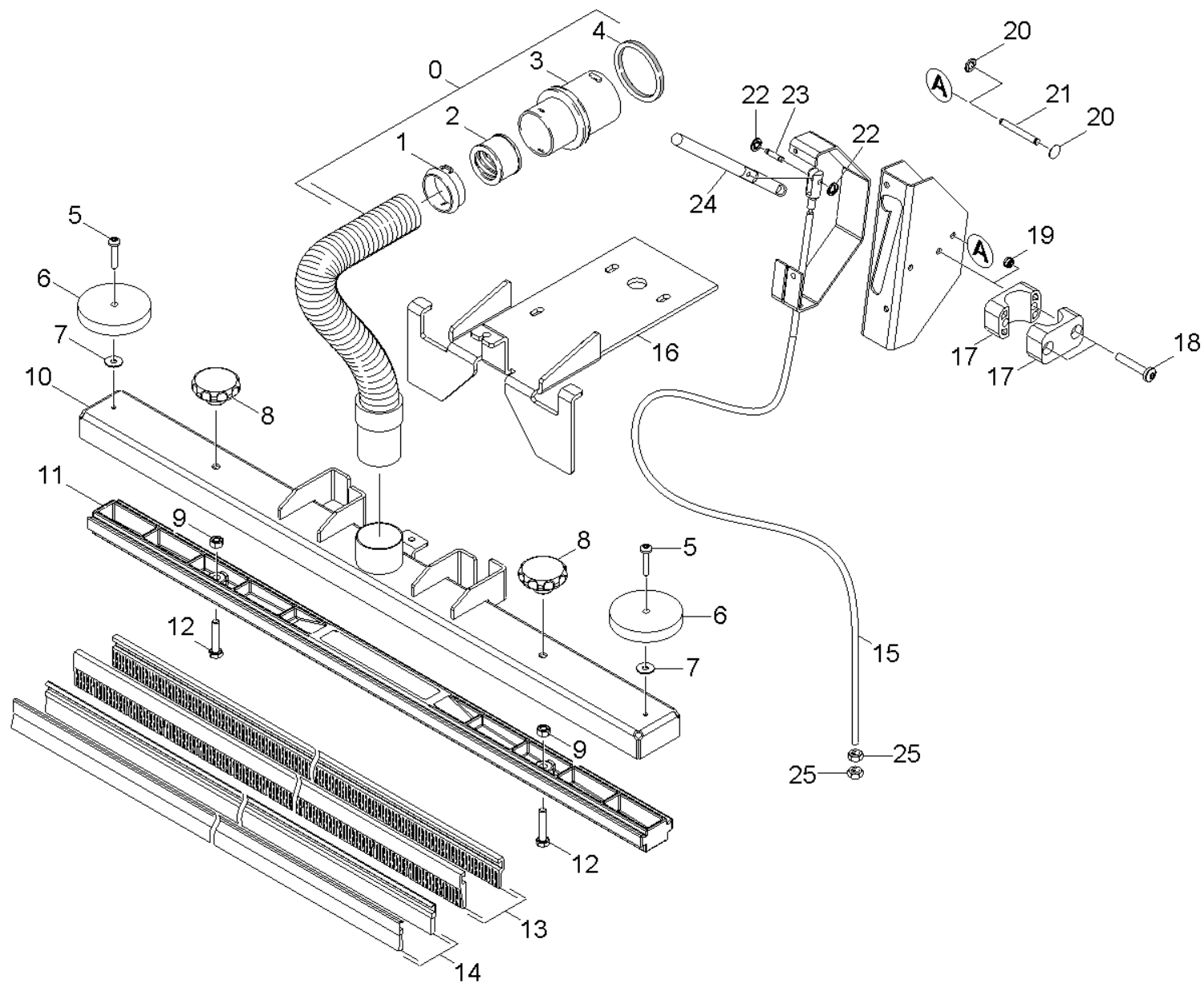


10 Add-on kit lane nozzle

Overview technical documents/Professional/Vacuum cleaner/Accessories/Lane nozzle (4.130-432.0)/Spare parts list lane nozzle/10 Add-on kit lane nozzle



10 Add-on kit lane nozzle

Overview technical documents/Professional/Vacuum cleaner/Accessories/Lane nozzle (4.130-432.0)/Spare parts list lane nozzle/10 Add-on kit lane nozzle

Rez.daļas/nodil.pakļ.daļas	Poz.	Materiāla Nr.	Nosaukums	Daudzums	Pārdoš. vienība
	0	4.440-935.0	Hose complete	1.000	ST
	1	6.902-068.0	Snap-in ring	1.000	ST
	2	6.902-069.0	Threaded ring	1.000	ST
X-X	3	5.443-477.0	Šļūtenes uzgalis DN40	1.000	ST
X	4	6.273-009.0	Joint ring EPDM	1.000	ST
	5	7.303-079.0	Sheet metal screw ST4,8X25-ST-A2R (IN6R	2.000	ST
	6	5.116-422.0	Washer plastics	2.000	ST
	7	7.312-278.0	washer	2.000	ST
	8	6.321-188.0	Star grip D40 M6	2.000	ST
	9	7.311-003.0	Hexagon nut M6 -8-A2E ISO 4032	2.000	ST
	10	6.050-018.0	Sheet metal component lane nozzle	1.000	ST
	11	5.130-475.0	Bottom part lane nozzle	1.000	ST
	12	7.304-549.0	Hexagonal head screw M 6x30-A4-70 ISO 4	2.000	ST
X	13	6.906-750.0	Brush strips set	1.000	ST
	14	6.906-751.0	Rubber lip set	1.000	ST
	15	6.431-060.0	Bowden wire	1.000	ST
	16	5.043-064.0	Holder lane nozzle	1.000	ST
	17	6.373-832.0	Pipe clamp set 25	1.000	ST
	18	7.306-185.0	Screw M5x 35-A2-70 (IN6RD)	2.000	ST
	19	7.311-421.0	Hexagon nut M 5-04-A2E ISO 10511	2.000	ST
	20	6.343-160.0	Quick-fastener	2.000	ST
	21	5.316-208.0	Bolt	1.000	ST
	22	6.343-169.0	quick fastener	2.000	ST
	23	5.316-255.0	Bolt	1.000	ST
	24	5.107-296.0	Bar	1.000	ST

10 Add-on kit lane nozzle

Overview technical documents/Professional/Vacuum cleaner/Accessories/Lane nozzle (4.130-432.0)/Spare parts list lane nozzle/10 Add-on kit lane nozzle

Rez.daļas/nodil.pakļ.daļas	Poz.	Materiāla Nr.	Nosaukums	Daudzums	Pārdoš. vienība
	25	7.311-065.0	Hexagon nut M 5-A2-70 ISO 4032	2.000	ST