

## **Spare parts list**

(1.150-903.0) HD 6/15 C \*EU

## Table of contents

---

HD 6/15 C *EU (1.150-903.0)	3
Spare parts list high-pressure 6/15 C *E (5.974-107.0)	4
10 Housing	5
20 Pump set	7
21 Cylinder head	8
4 Valve (3 Stück) (2.884-916.0)	10
11 Drain plug only for replacement (4.132-007.0)	12
20 Valve pin complete (4.584-022.0)	14
21 Nozzle insert only for replacement (4.769-034.0)	16
24 Overflow valve (4.591-038.0)	18
31 Spindle complete (4.291-014.0)	19
100 Pump set HD 6/15 C (2.885-242.0)	21
10 Drain plug only for replacement (4.132-007.0)	23
20 Valve (3 Stück) (2.884-916.0)	25
22 Thrust guidance	27
23 Water filter	29
30 Motor	31
40 Accessories	33
41 EASY!Force Advanced (4.118-005.0)	35
1 Hand trigger gun TR EH 155	36
9000 Spare part set lever (2.885-483.0)	38
42 Hose assembly TR replacement DN6 30MPa 1 (6.110-055.0)	40
43 Jet pipe TR 840 mm (4.112-006.0)	42
1 Jet pipe TR 840 mm	43
44 Triple jet nozzle TR 034 (4.117-029.0)	45
1 Triple jet nozzle TR 034	46
50 Electric box	48
1020 Short spare parts list	50

HD 6/15 C \*EU (1.150-903.0)

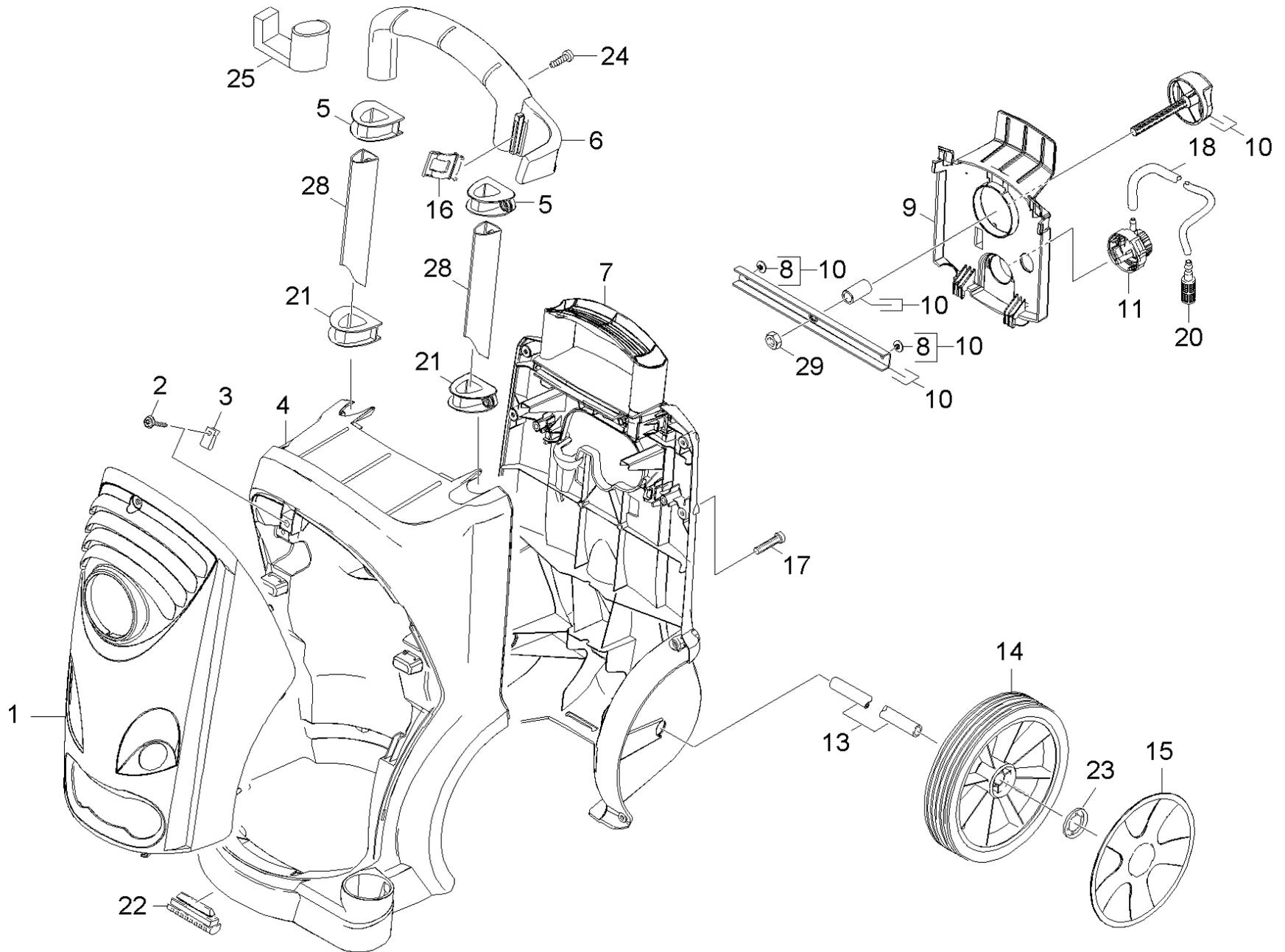
---

<b>POS</b>	<b>Article no.</b>	<b>Description</b>	<b>Quantity</b>	<b>Unit</b>
0		PAIS high-pressure 6/15 C TR	1.000	ST
1020		Short spare parts list	1.000	ST
0	5.974-107.0	Spare parts list high-pressure 6/15 C *E	1.000	ST

Spare parts list high-pressure 6/15 C \*E (5.974-107.0)

---

<b>POS</b>	<b>Description</b>	<b>Quantity</b>	<b>Unit</b>
40	Accessories	1.000	ST
50	Electric box	1.000	ST
10	Housing	1.000	ST
30	Motor	1.000	ST
20	Pump set	1.000	ST



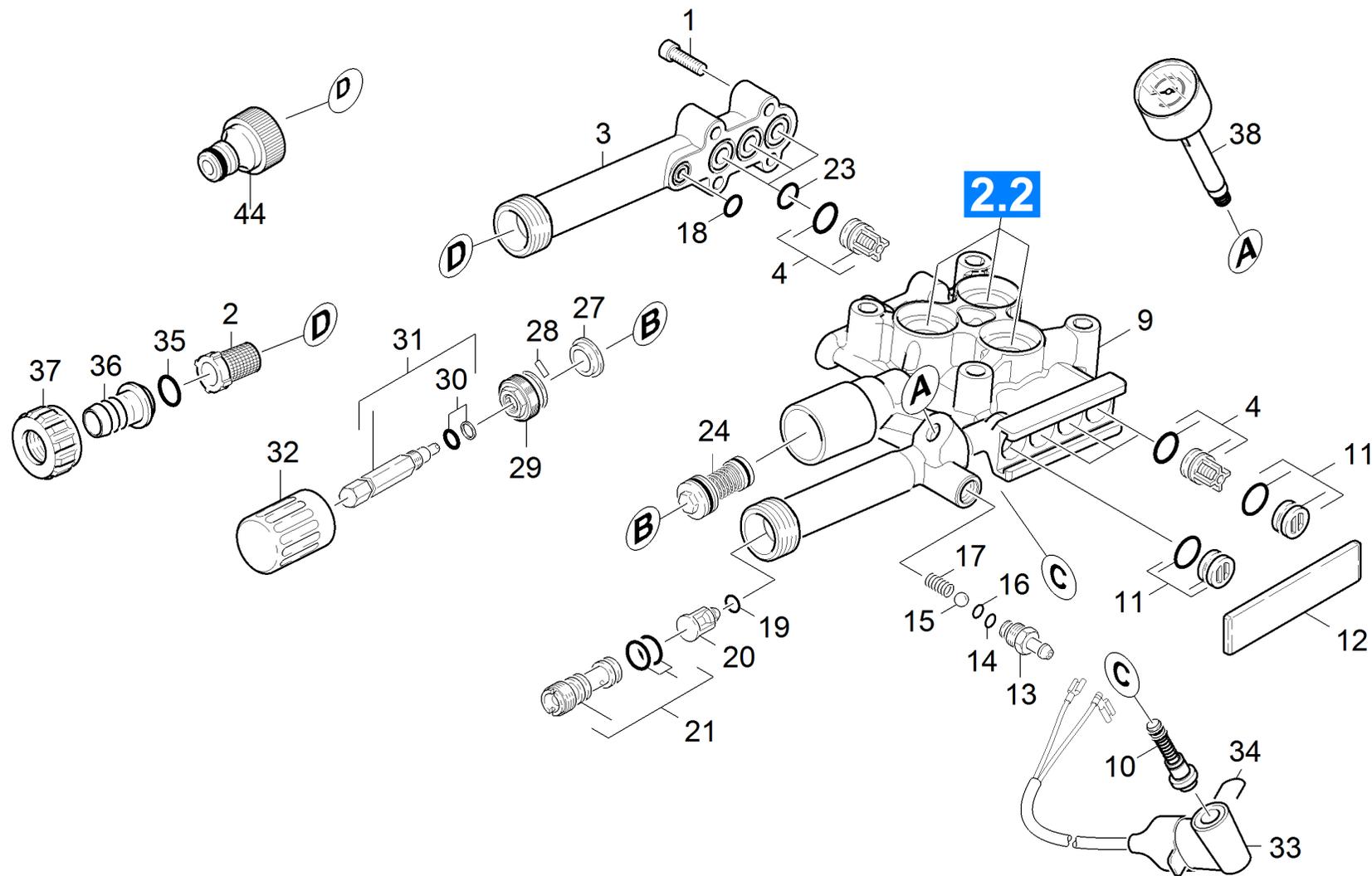
## 10 Housing

POS	Article no.	Description	Quantity	Unit	Foot note text
13	5.105-399.0	Axle	1.000	ST	
28	5.107-248.0	Bar shearing shackle	2.000	ST	
9	5.032-556.0	Covering cap	1.000	ST	
1	5.069-443.0	Device cover basalt grey only for replac	1.000	ST	
20	5.731-652.0	Filter with weight	1.000	ST	
4	5.050-206.3	Frame front part	1.000	ST	
7	5.050-207.0	Frame rear panel	1.000	ST	
5	5.032-554.0	Guide	2.000	ST	
21	5.032-555.0	Guide	2.000	ST	
6	5.321-721.0	Hand grip	1.000	ST	
29	7.311-088.0	Hexagon nut M10-8-A2K EN 1664	1.000	ST	
16	5.044-216.0	Holder	1.000	ST	
25	5.037-170.0	Hook	1.000	ST	
18	6.388-216.0	Hose DN 5	1.000	M	TO ORDER AS CUT GOODS
23	6.343-168.0	Lock washer	2.000	ST	
11	4.063-778.0	Proportioning valve chemistry	1.000	ST	
3	6.310-053.0	Putting nut	1.000	ST	
8	6.315-086.0	Rivet	2.000	ST	
2	6.304-099.0	Saucer-head screw M 6x 18-4.8-R2R	1.000	ST	
17	7.303-108.0	Screw 5x20 -10.9-R2R (In6Rd)	10.000	ST	
24	7.303-046.0	Screw M6x12 -St-R3R (In6Rd)	2.000	ST	
10	2.885-007.0	Spare part set Griff	1.000	ST	
15	4.515-323.0	Spare parts set wheel cap basalt grey RA	1.000	ST	SET OF 2 PIECES
22	5.057-062.0	Support	2.000	ST	
19	7.312-260.0	Washer 6 -100HV-A3E ISO 7094	1.000	ST	
14	6.435-662.0	Wheel D200	2.000	ST	

## 20 Pump set

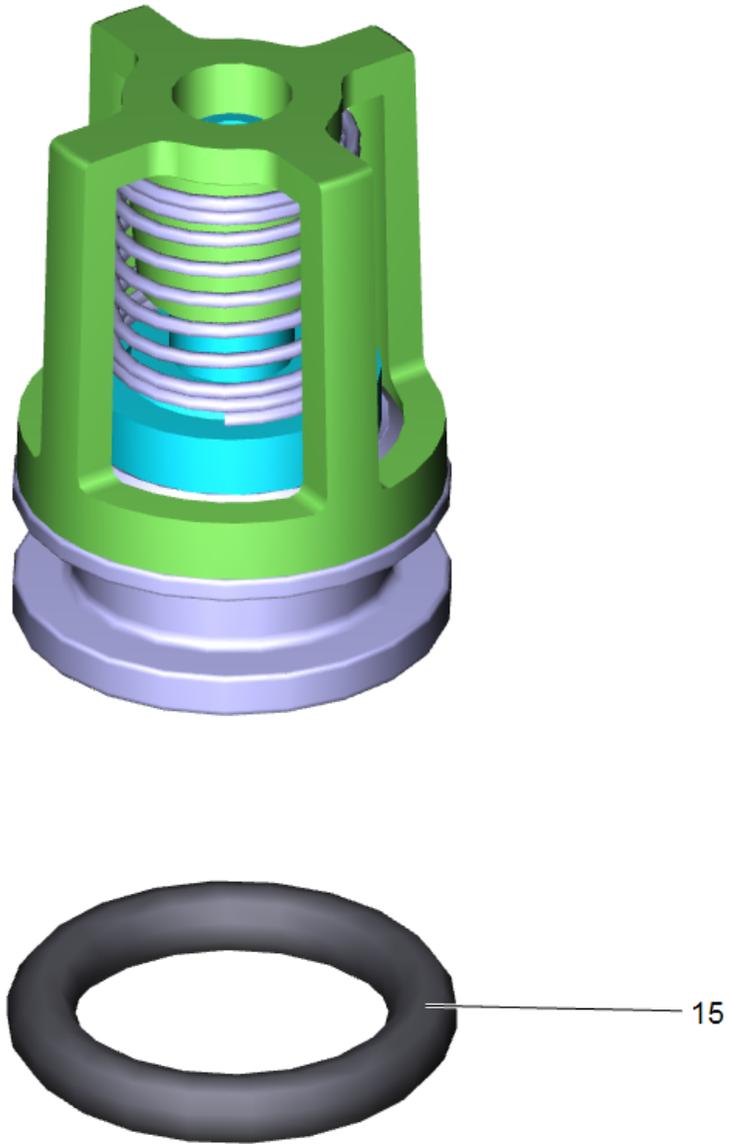
---

<b>POS</b>	<b>Description</b>	<b>Quantity</b>	<b>Unit</b>
21	Cylinder head	1.000	ST
22	Thrust guidance	1.000	ST
23	Water filter	1.000	ST



## 21 Cylinder head

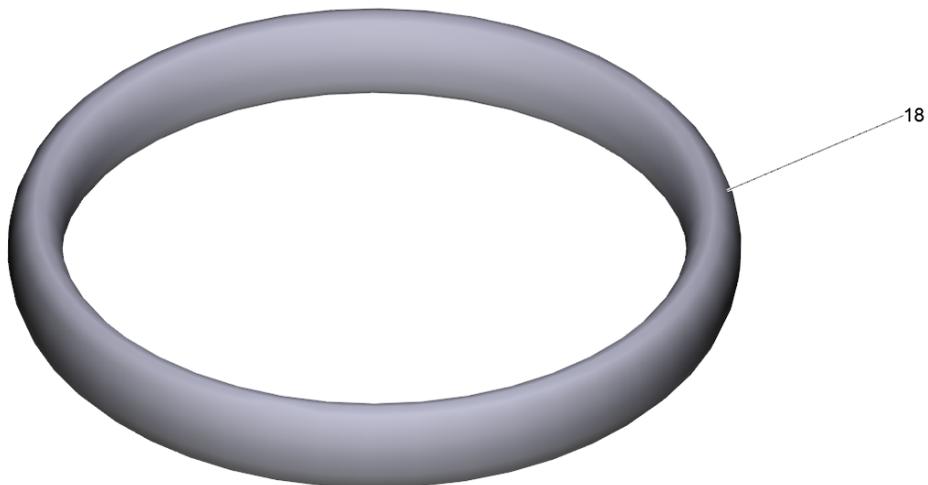
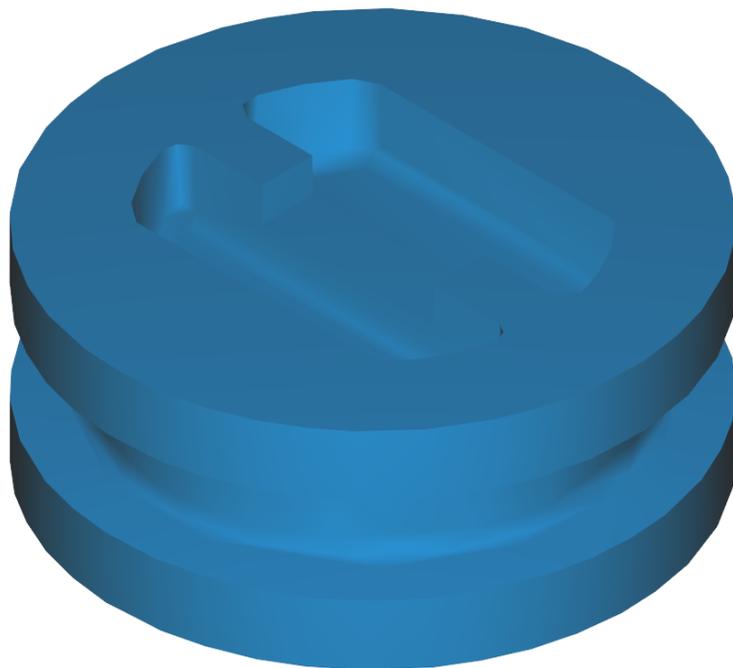
POS	Article no.	Description	Quantity	Unit
44	6.465-031.0	Connection 3/4	1.000	ST
9	5.550-025.3	Cylinder head HD 6/15 TR	1.000	ST
11	4.132-007.0	Drain plug only for replacement	4.000	ST
28	7.314-629.0	Grooved pin 2x10 -A1 ISO 8742	1.000	ST
32	5.322-095.0	Handhold yellow RAL 1018	1.000	ST
17	5.332-258.0	Helical spring	1.000	ST
36	5.443-229.0	Hose stem	1.000	ST
13	5.443-624.0	Nipple	1.000	ST
21	4.769-034.0	Nozzle insert only for replacement	1.000	ST
37	5.310-065.0	Nut	1.000	ST
19	6.363-613.0	O-Ring seal 4 x 2 -NBR90	1.000	ST
16	6.363-597.0	O-Ring seal 5,28 x 1,78	1.000	ST
14	6.362-113.0	O-Ring seal 6,0 x 2,0 NBR 70	1.000	ST
18	6.362-384.0	O-Ring seal 9x1,5 - NBR 70	1.000	ST
35	6.362-078.0	O-Ring seal 13,3x2,4	1.000	ST
23	6.362-533.0	O-Ring seal 14,0 X 1,5-NBR 70	3.000	ST
30	6.362-468.0	O-Ring seal complete 1ST.-R.	1.000	ST
24	4.591-038.0	Overflow valve	1.000	ST
12	5.003-062.0	Plate	1.000	ST
38	6.421-349.3	Pressure gauge 0-30 MPa	1.000	ST
100	2.885-242.0	Pump set HD 6/15 C	1.000	ST
34	5.034-494.0	Retaining bracket	1.000	ST
1	7.306-105.0	Screw M6x30 -8.8-R3R (In6Rd)	4.000	ST
27	5.110-630.0	Sleeve	1.000	ST
10	2.884-501.0	Spare part set control piston	1.000	ST
15	7.401-908.0	Sphere 7 G300 -1.4301 DIN 5401	1.000	ST
31	4.291-014.0	Spindle complete	1.000	ST
2	6.414-252.0	Strainer	1.000	ST
3	5.064-150.0	Suction cover	1.000	ST
33	4.744-168.0	Switch complete	1.000	ST
4	2.884-916.0	Valve (3 Stück)	2.000	ST
20	4.584-022.0	Valve pin complete	1.000	ST
29	5.583-147.0	Valve screw	1.000	ST



4 Valve (3 Stück) (2.884-916.0)

---

POS	Article no.	Description	Quantity	Unit
15	6.362-077.0	O-Ring seal 10 x 2,2 NBR 70	1.000	ST

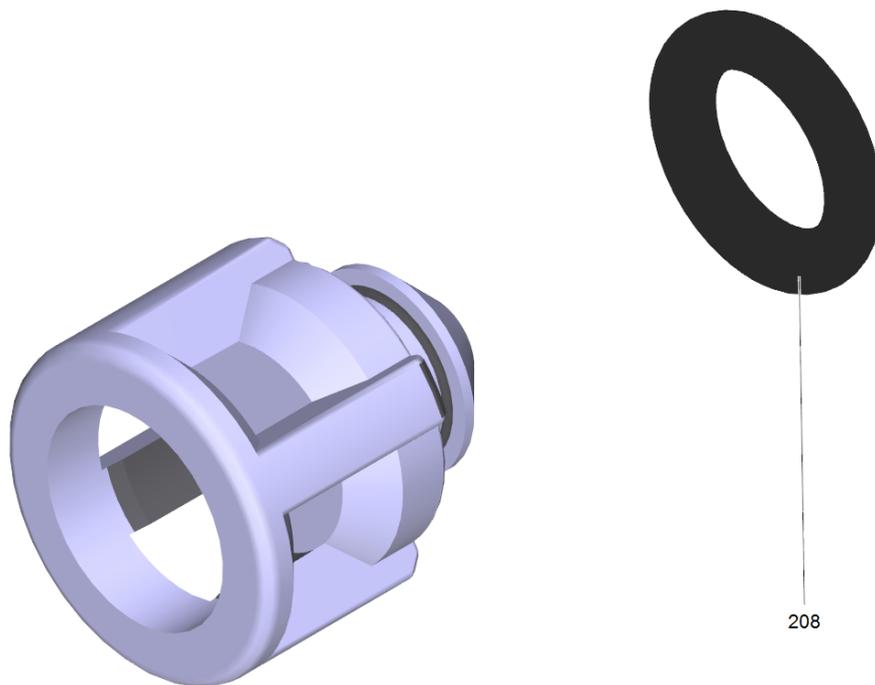


11 Drain plug only for replacement (4.132-007.0)

---

<b>POS</b>	<b>Article no.</b>	<b>Description</b>	<b>Quantity</b>	<b>Unit</b>
18	6.362-458.0	O-Ring seal 11,0x2,0-NBR 70	1.000	ST

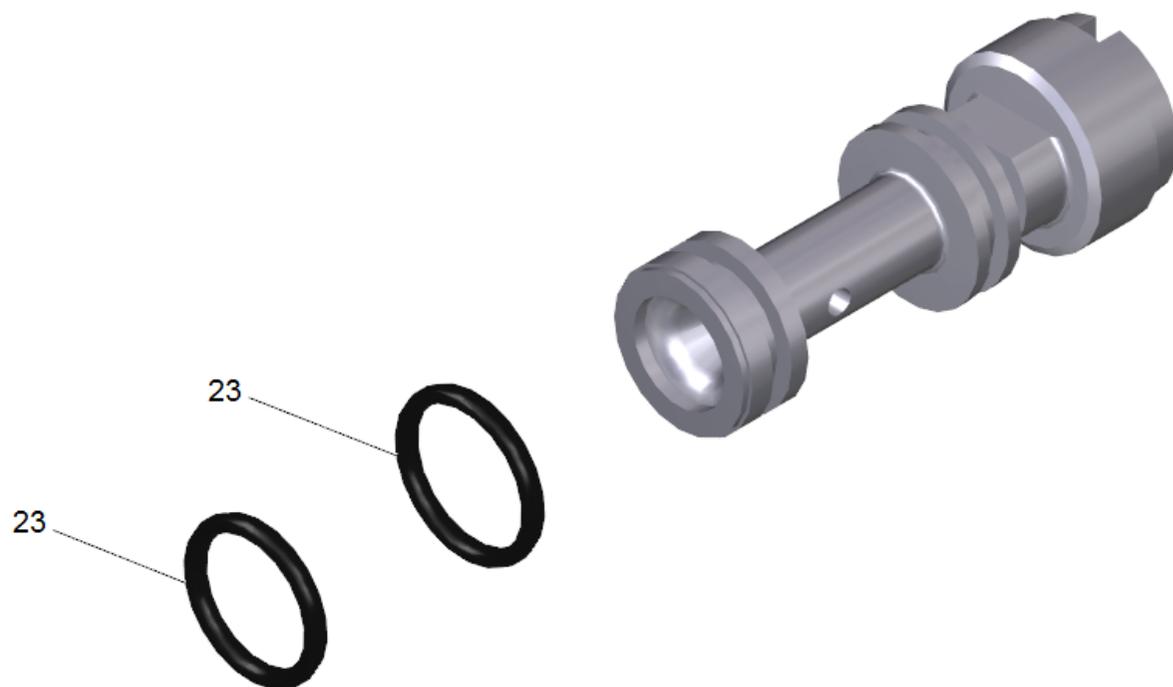
---



20 Valve pin complete (4.584-022.0)

---

<b>POS</b>	<b>Article no.</b>	<b>Description</b>	<b>Quantity</b>	<b>Unit</b>
208	6.363-613.0	O-Ring seal 4 x 2 -NBR90	1.000	ST



21 Nozzle insert only for replacement (4.769-034.0)

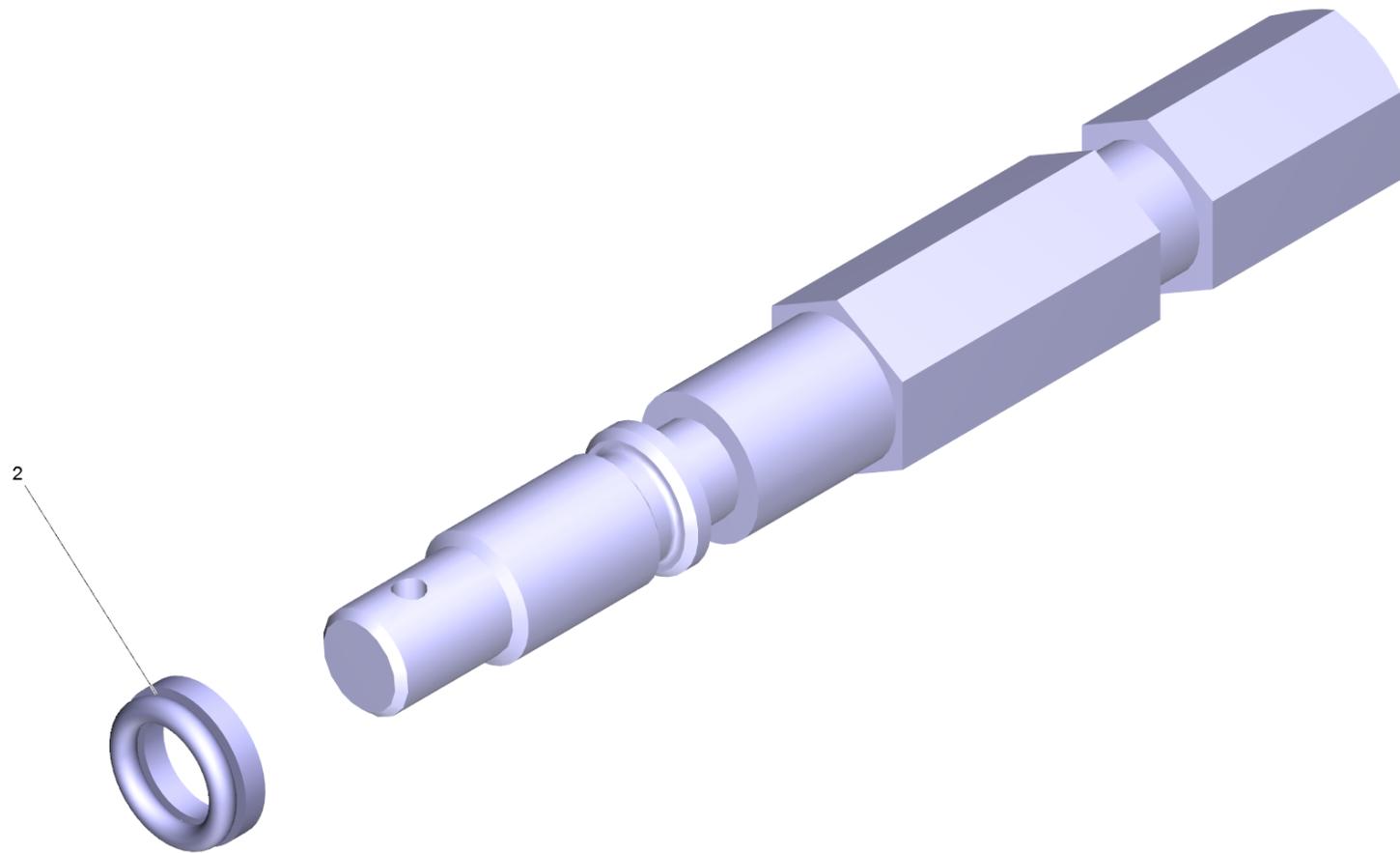
---

<b>POS</b>	<b>Article no.</b>	<b>Description</b>	<b>Quantity</b>	<b>Unit</b>
23	6.362-384.0	O-Ring seal 9x1,5 - NBR 70	2.000	ST

## 24 Overflow valve (4.591-038.0)

---

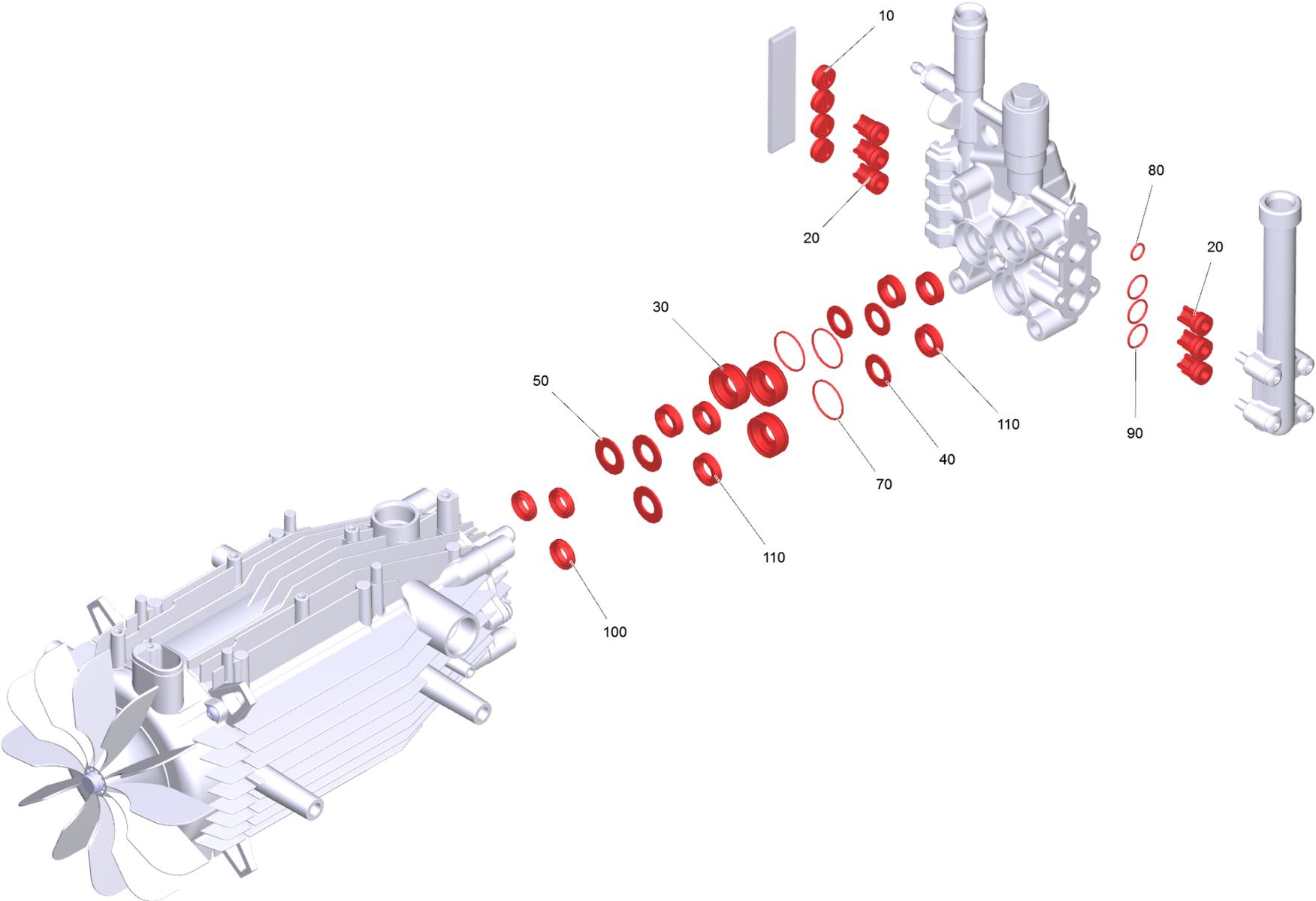
<b>POS</b>	<b>Article no.</b>	<b>Description</b>	<b>Quantity</b>	<b>Unit</b>
42		Grease PFAE	1.000	KG
20	5.332-425.0	Helical spring	1.000	ST
44	6.362-169.0	O-Ring seal 12,0 X 2,0	1.000	ST
47	6.362-454.0	O-Ring seal complete 2ST.-R.	1.000	ST
26	5.553-390.0	Piston	1.000	ST
14	5.305-264.0	Shaped screw	1.000	ST
28	5.581-230.0	Valve seat	1.000	ST



31 Spindle complete (4.291-014.0)

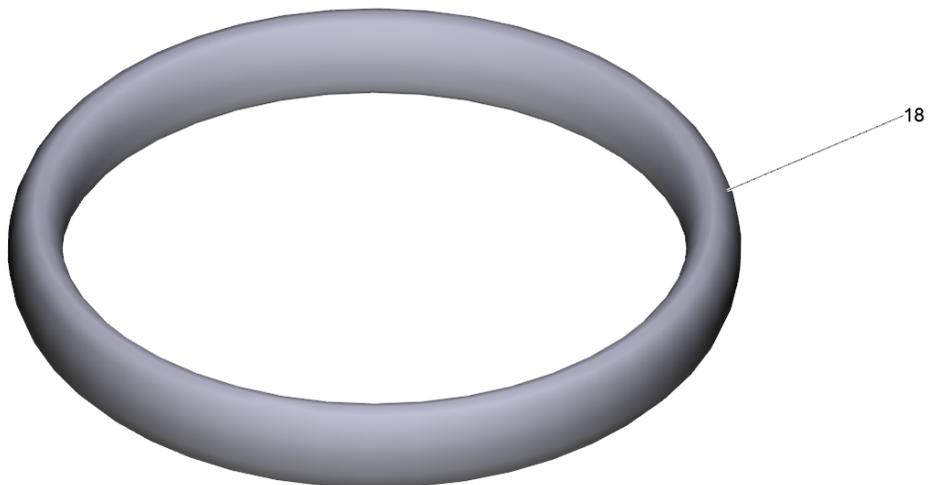
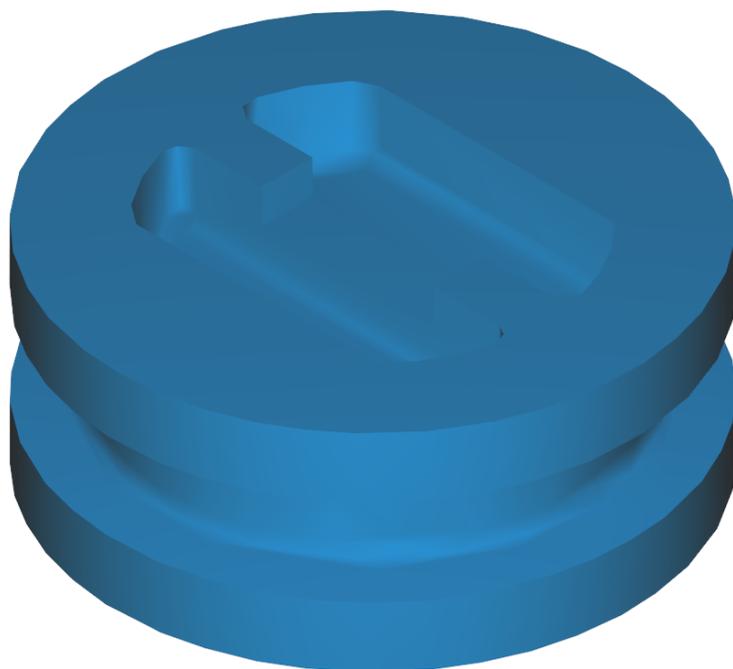
---

<b>POS</b>	<b>Article no.</b>	<b>Description</b>	<b>Quantity</b>	<b>Unit</b>
2	6.362-468.0	O-Ring seal complete 1ST.-R.	1.000	ST



100 Pump set HD 6/15 C (2.885-242.0)

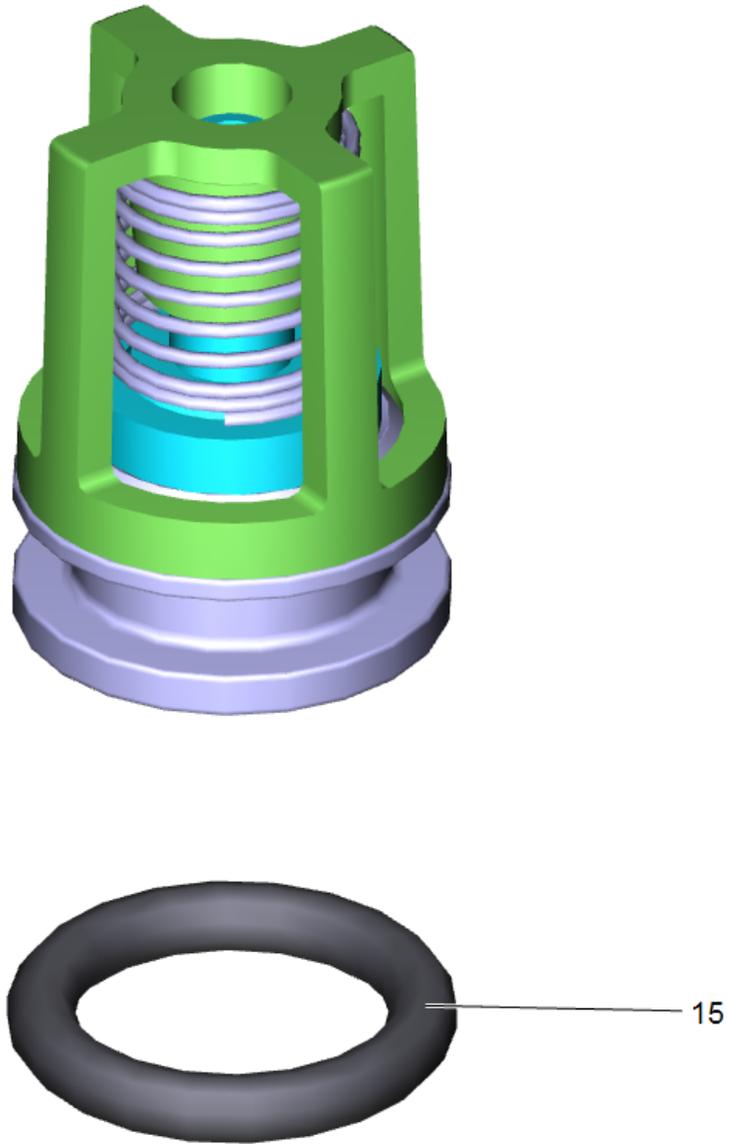
POS	Article no.	Description	Quantity	Unit
30	5.112-726.0	Bush	3.000	ST
10	4.132-007.0	Drain plug only for replacement	4.000	ST
110	6.365-563.0	Grooved ring	6.000	ST
80	6.362-384.0	O-Ring seal 9x1,5 - NBR 70	1.000	ST
90	6.362-533.0	O-Ring seal 14,0 X 1,5-NBR 70	3.000	ST
70	6.362-376.0	O-Ring seal 24,0 X 1,5	3.000	ST
100	6.365-393.0	Oil sealing 12x20x4/6	3.000	ST
60	6.288-072.0	Silicon grease	1.000	ST
20	2.884-916.0	Valve (3 Stück)	2.000	ST
40	5.115-721.0	Washer	3.000	ST
50	5.116-093.0	Washer	3.000	ST



10 Drain plug only for replacement (4.132-007.0)

---

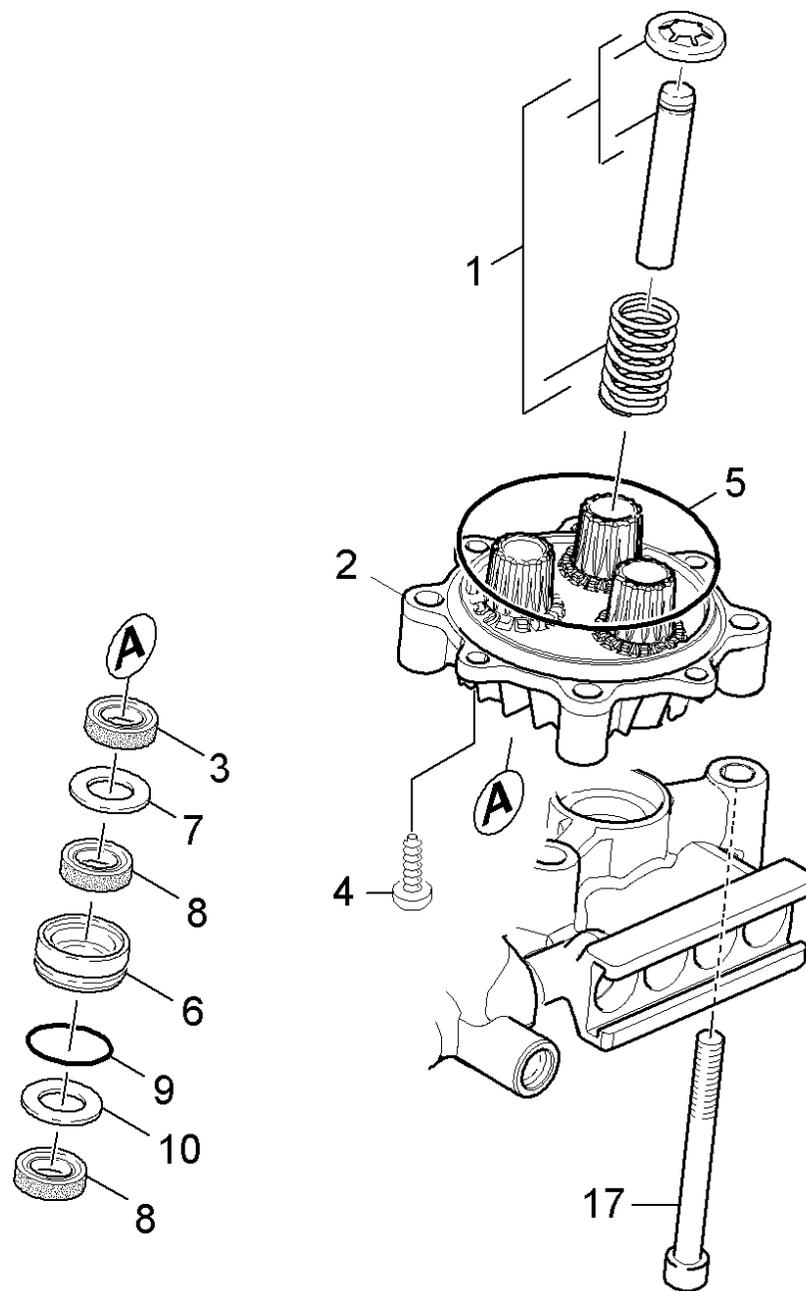
<b>POS</b>	<b>Article no.</b>	<b>Description</b>	<b>Quantity</b>	<b>Unit</b>
18	6.362-458.0	O-Ring seal 11,0x2,0-NBR 70	1.000	ST



20 Valve (3 Stück) (2.884-916.0)

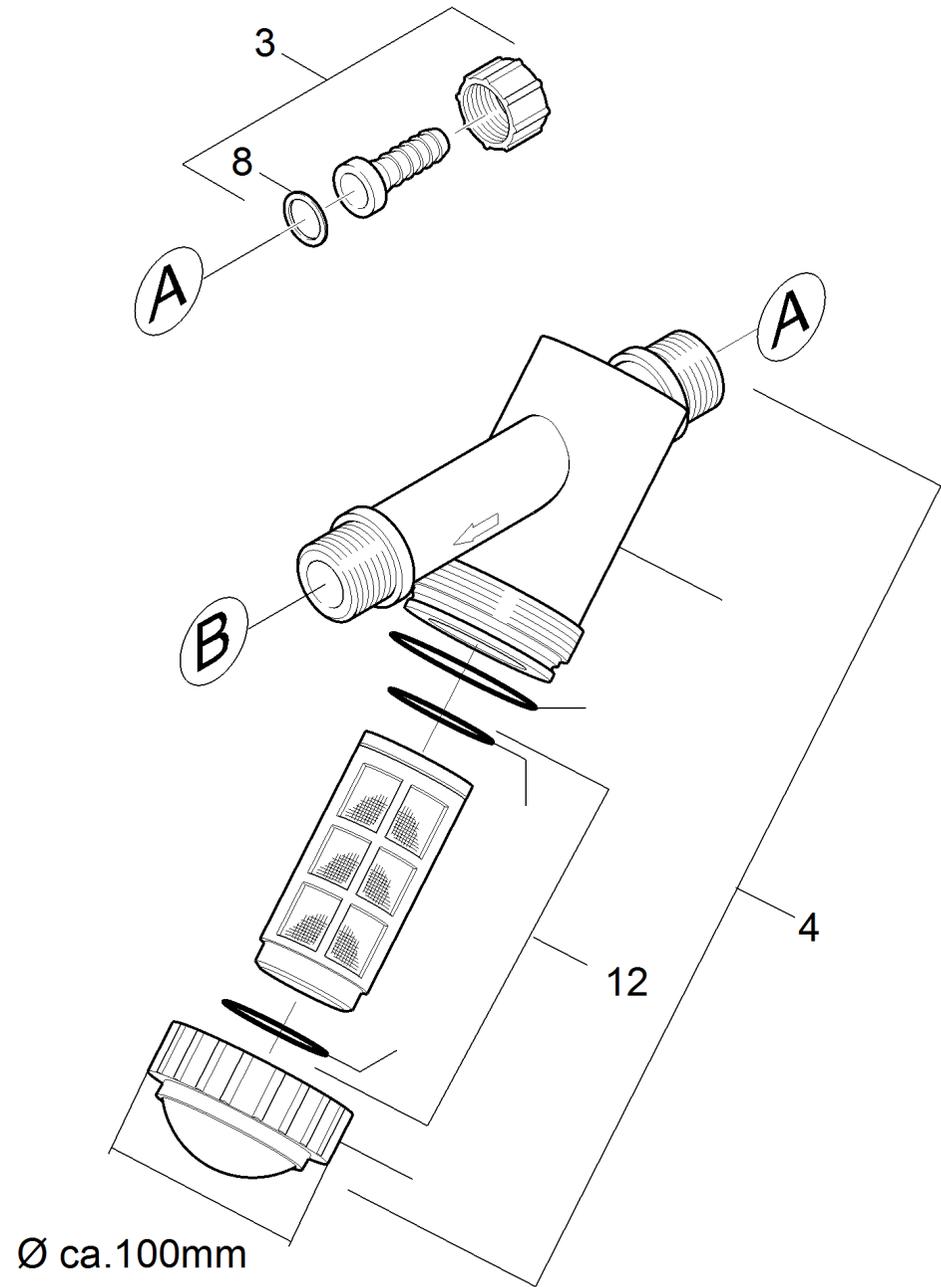
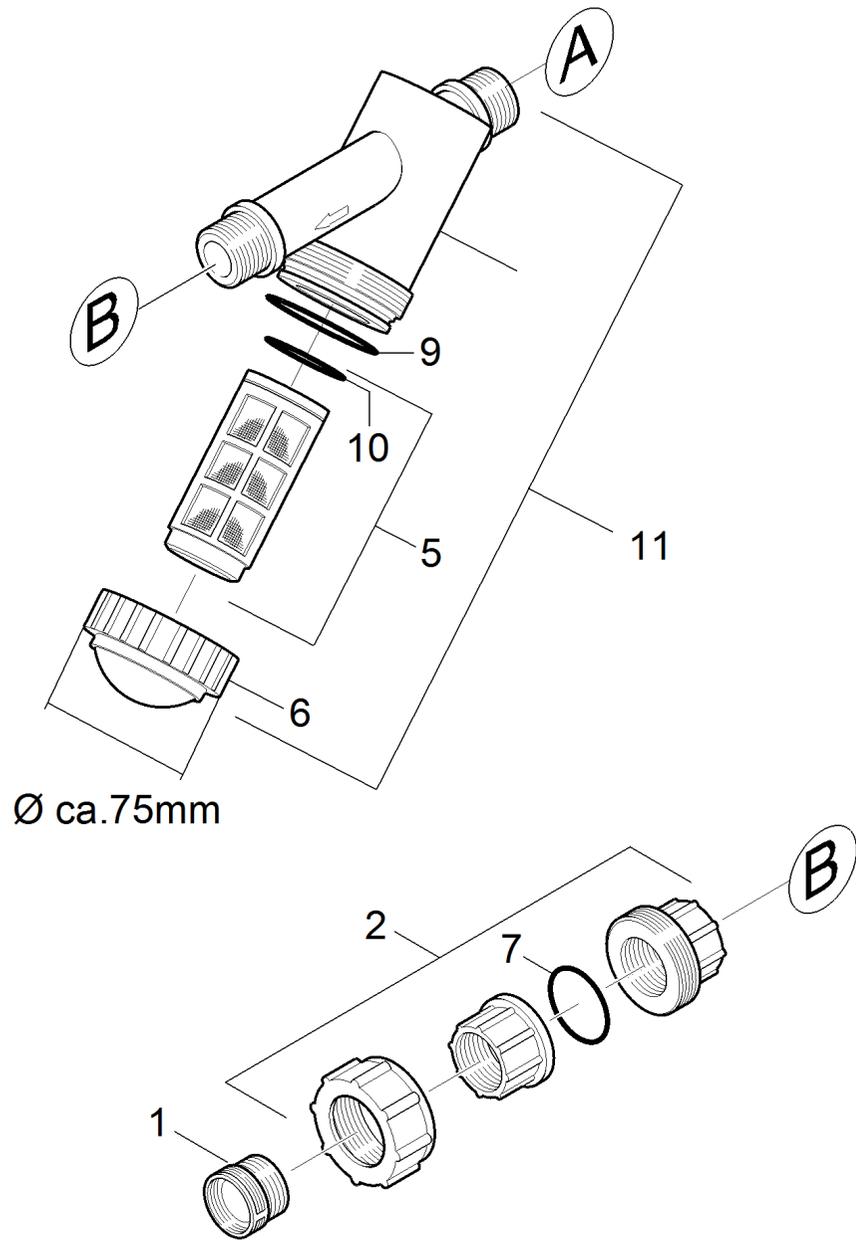
---

<b>POS</b>	<b>Article no.</b>	<b>Description</b>	<b>Quantity</b>	<b>Unit</b>
15	6.362-077.0	O-Ring seal 10 x 2,2 NBR 70	1.000	ST



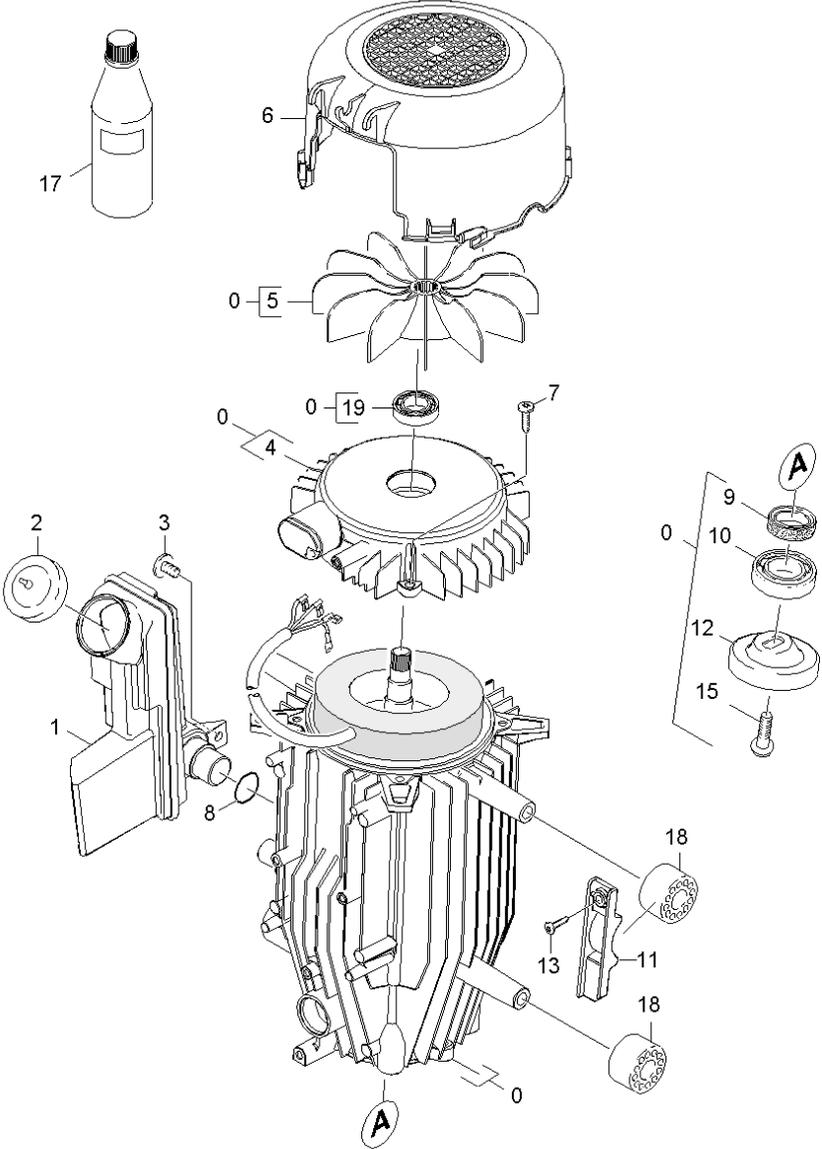
## 22 Thrust guidance

POS	Article no.	Description	Quantity	Unit
6	5.112-726.0	Bush	3.000	ST
17	7.306-106.0	Cylinder head screw M8x70 -8.8-A2E ISO4	4.000	ST
8	6.365-563.0	Grooved ring	6.000	ST
3	6.365-001.0	Grooved ring 12x20x4/6	3.000	ST
9	6.362-376.0	O-Ring seal 24,0 X 1,5	3.000	ST
5	6.363-077.0	O-Ring seal 75x3	1.000	ST
1	4.553-306.0	Piston -nur fuer Ersatz-	3.000	ST
4	7.303-047.0	Screw M6x16 -St-R3R (In6Rd)	2.000	ST
2	5.061-018.3	Thrust guidance	1.000	ST
7	5.116-093.0	Washer	3.000	ST
10	5.115-721.0	Washer	3.000	ST



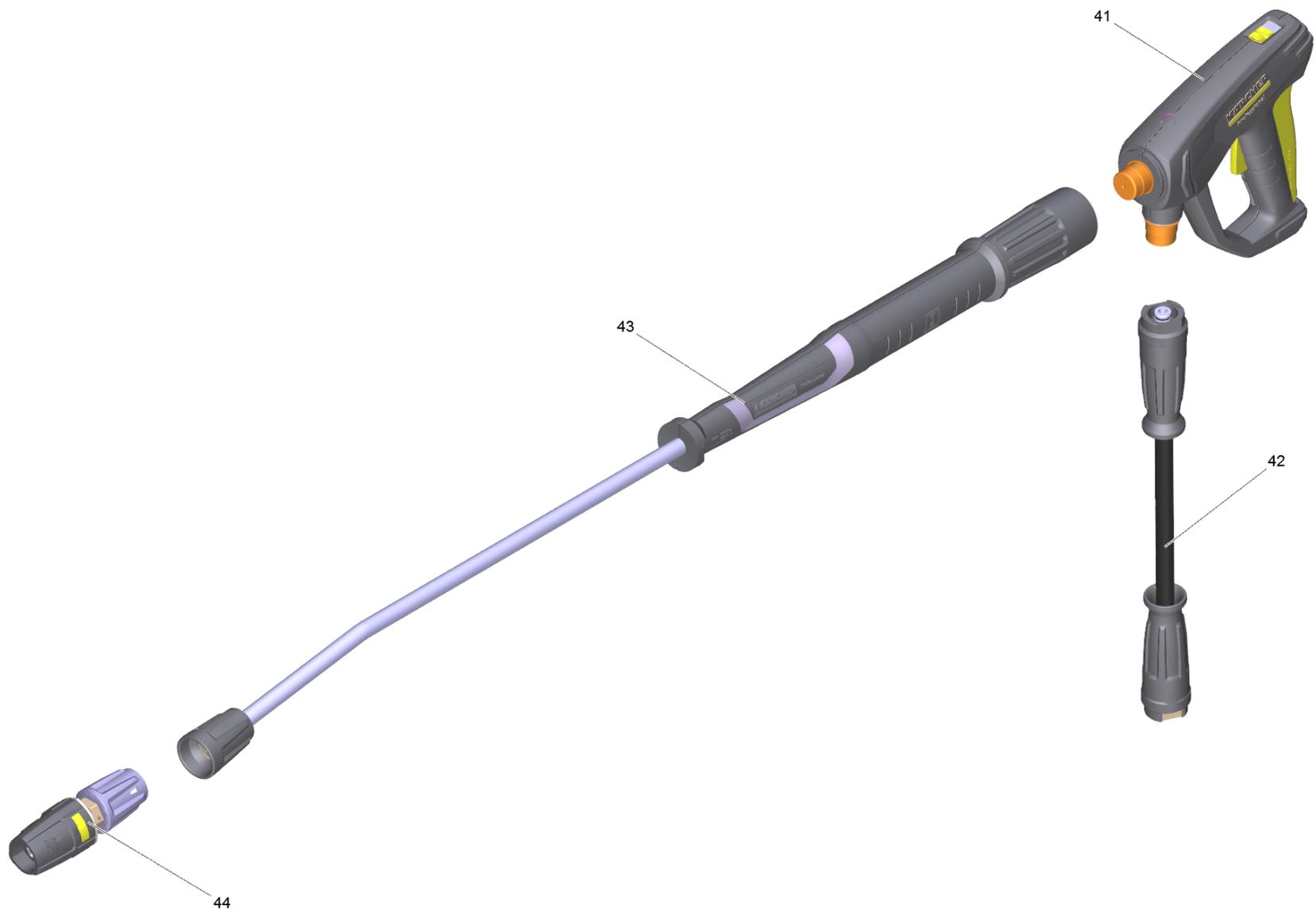
## 23 Water filter

POS	Article no.	Description	Quantity	Unit	Foot note text
3	6.390-784.0	Connection nipple complete	1.000	ST	
5	6.414-681.0	Filter cartridge	1.000	ST	
12	6.070-032.0	Filter cartridge only for replacement	1.000	ST	
6	6.414-679.0	Filter cup	1.000	ST	
8	7.545-063.0	Joint ring 3-DS-VITON DIN14306	1.000	ST	
7	6.362-917.0	O-Ring seal 32,5 X 3,5	1.000	ST	
10	6.363-053.0	O-Ring seal 40,0 X 2,5	1.000	ST	
9	6.472-374.0	O-Ring seal 54,0 X 2,5 NBR	1.000	ST	
1	6.385-877.0	Reduction 1"/3/4"	1.000	ST	
2	6.390-783.0	Screw connector complete	1.000	ST	
11	7.777-999.0	Stockpiling discontinued	1.000	ST	
4	6.414-682.0	Water filter 120 mesh	1.000	ST	NEW VERSION



## 30 Motor

POS	Article no.	Description	Quantity	Unit
6	5.692-081.0	Air circulation	1.000	ST
10	6.401-427.0	Angular contact ball bearing	1.000	ST
19	7.401-128.0	Ball bearing 6202-2RS -Wälzl.St DIN 625	1.000	ST
4	5.094-148.0	Bearing cover B	1.000	ST
5	5.600-060.0	Blower wheel	1.000	ST
2	5.064-454.0	Cover qusty grey	1.000	ST
17	6.288-050.0	Engine oil 1L	1.000	ST
0	4.623-675.0	Motor complete	1.000	ST
11	5.802-288.0	Mounting part	2.000	ST
8	6.362-161.0	O-Ring seal 19,3 X 2,4	1.000	ST
9	7.367-001.0	Radial shaft seal ring A24x37x7 -NBR DI	1.000	ST
18	5.767-005.0	Rubber buffer	4.000	ST
13	7.303-108.0	Screw 5x20 -10.9-R2R (In6Rd)	2.000	ST
3	6.303-153.0	Screw M5x15-ST-R2R (IN6RD)	1.000	ST
7	6.303-320.0	Screw M 5x 20-St-R2R	4.000	ST
1	5.070-639.0	Tank oil	1.000	ST
12	6.401-307.3	Wobble plate	1.000	ST
15	9.086-169.0	Wobble plate screw M8x16	1.000	ST



## 40 Accessories

---

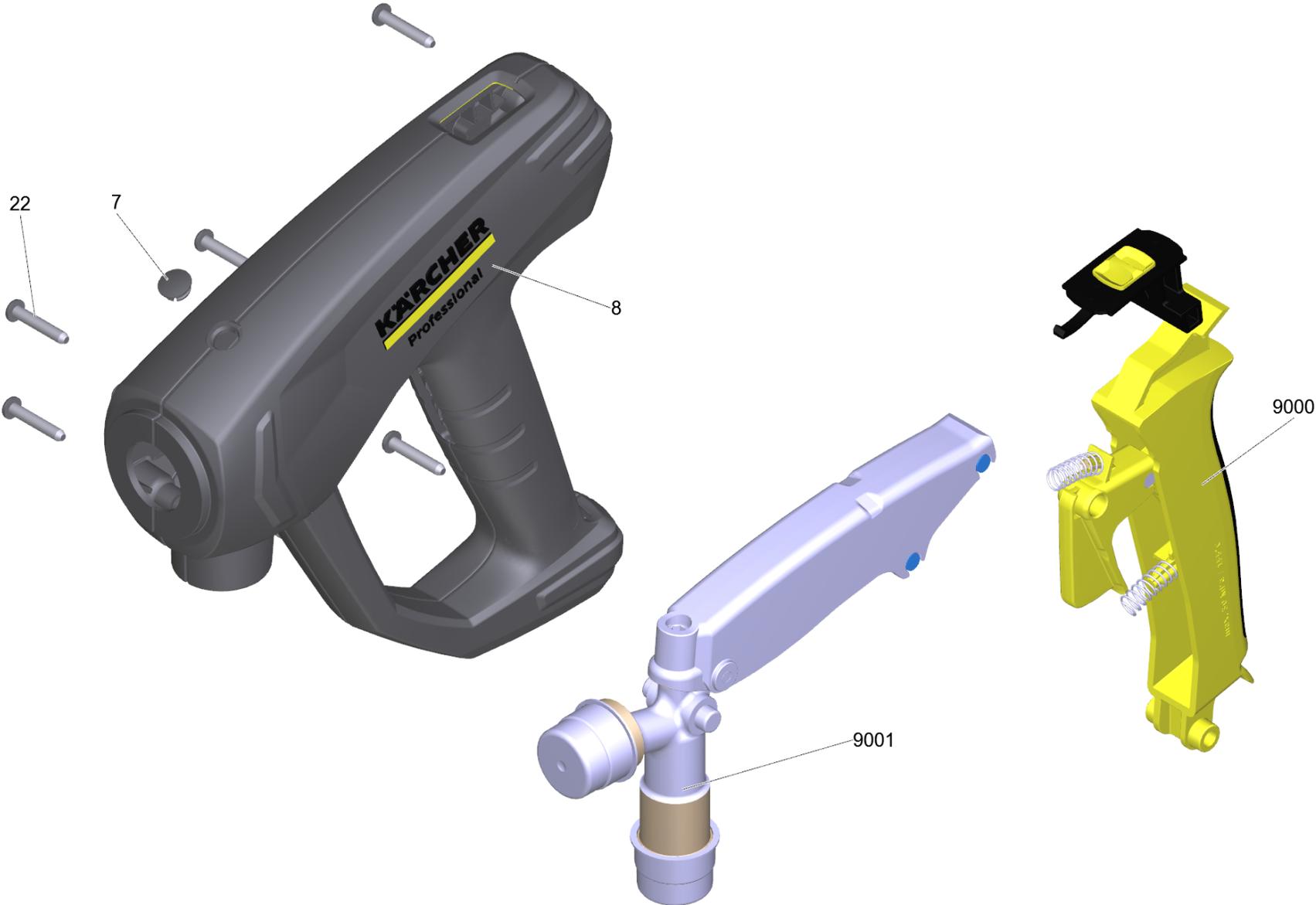
<b>POS</b>	<b>Article no.</b>	<b>Description</b>	<b>Quantity</b>	<b>Unit</b>
41	4.118-005.0	EASY!Force Advanced	1.000	ST
42	6.110-055.0	Hose assembly TR replacement DN6 30MPa 1	1.000	ST
43	4.112-006.0	Jet pipe TR 840 mm	1.000	ST
44	4.117-029.0	Triple jet nozzle TR 034	1.000	ST

41 EASY!Force Advanced (4.118-005.0)

---

<b>POS</b>	<b>Description</b>	<b>Quantity</b>	<b>Unit</b>
1	Hand trigger gun TR EH 155	1.000	ST

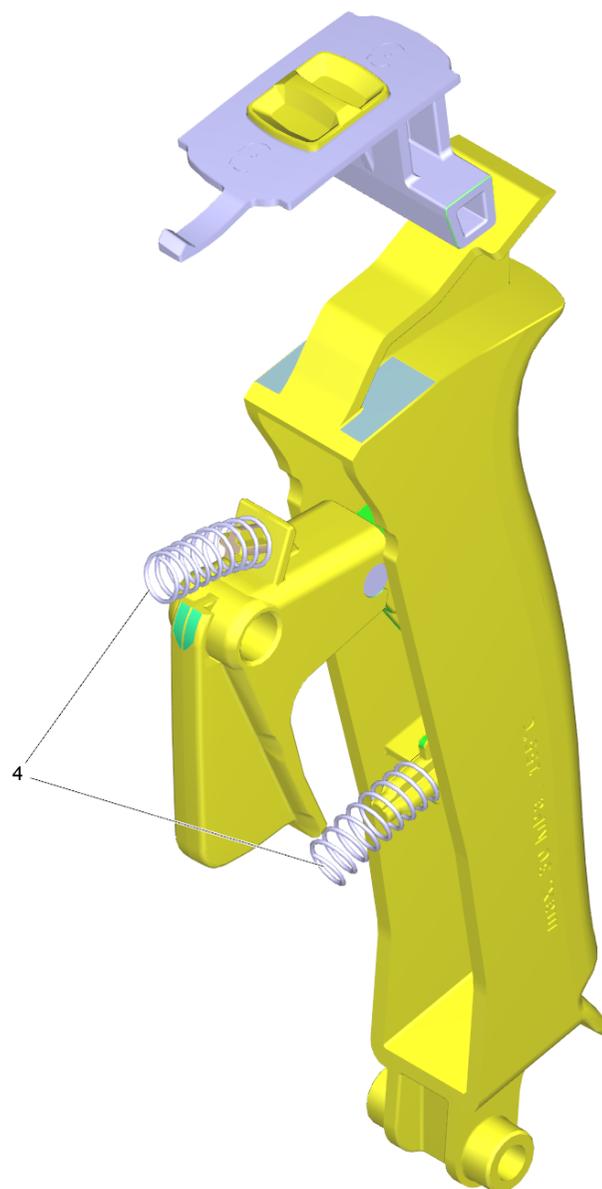
---



## 1 Hand trigger gun TR EH 155

---

<b>POS</b>	<b>Article no.</b>	<b>Description</b>	<b>Quantity</b>	<b>Unit</b>
8	5.321-136.3	Handhold few EH 155 only for replacement	1.000	ST
9001	4.427-014.0	Manifold TR EH 155 nur fuer Ersatz	1.000	ST
7	5.132-001.0	Plug	1.000	ST
22	7.303-096.0	Screw 4x22 -ST-10.9-R2R (IN6RD)	7.000	ST
9000	2.885-483.0	Spare part set lever	1.000	ST

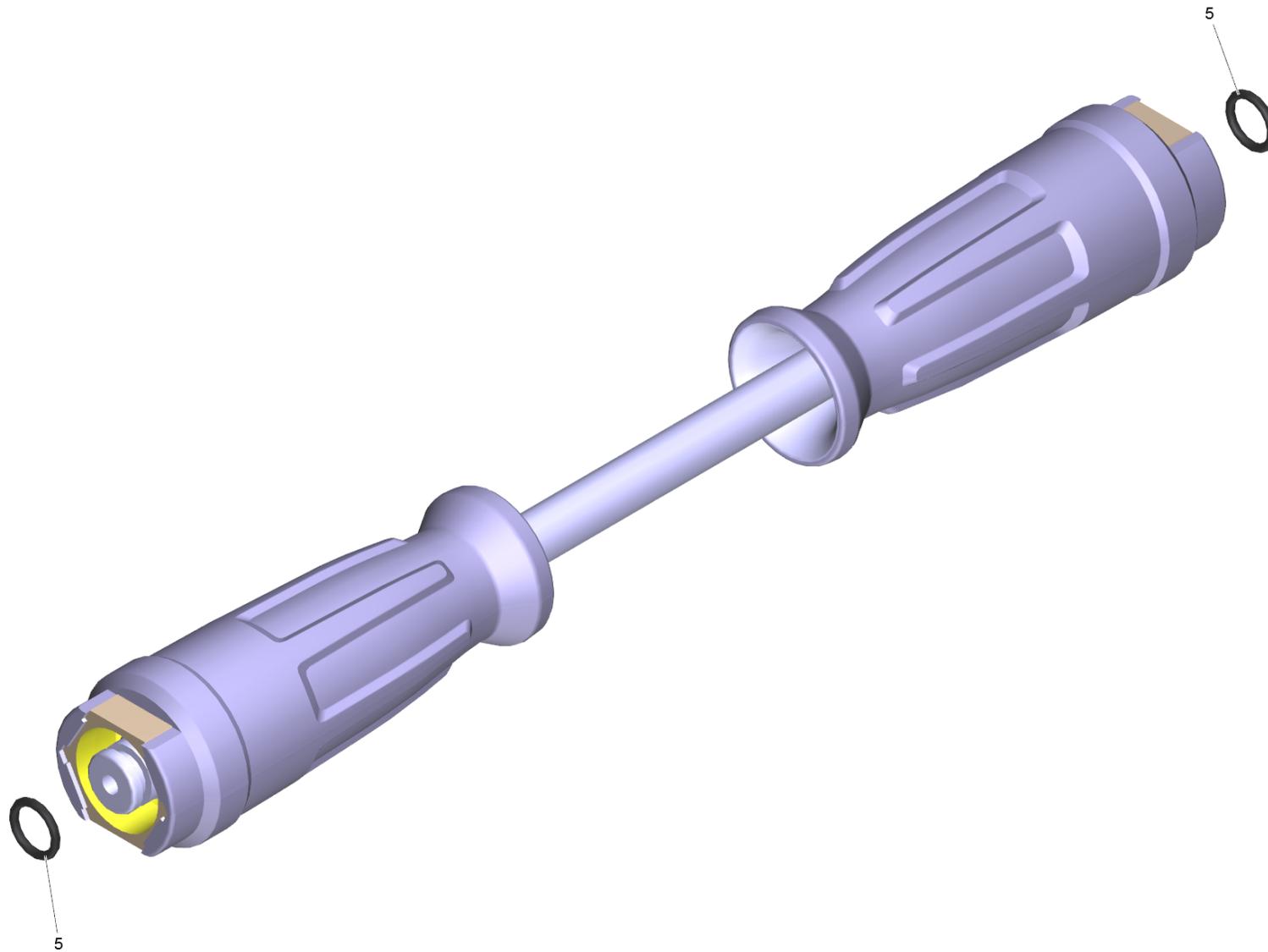


9000 Spare part set lever (2.885-483.0)

---

<b>POS</b>	<b>Article no.</b>	<b>Description</b>	<b>Quantity</b>	<b>Unit</b>
4	5.332-032.0	Helical spring	2.000	ST

---



42 Hose assembly TR replacement DN6 30MPa 1 (6.110-055.0)

---

<b>POS</b>	<b>Article no.</b>	<b>Description</b>	<b>Quantity</b>	<b>Unit</b>
5	2.880-154.0	O-Ring kit	1.000	ST

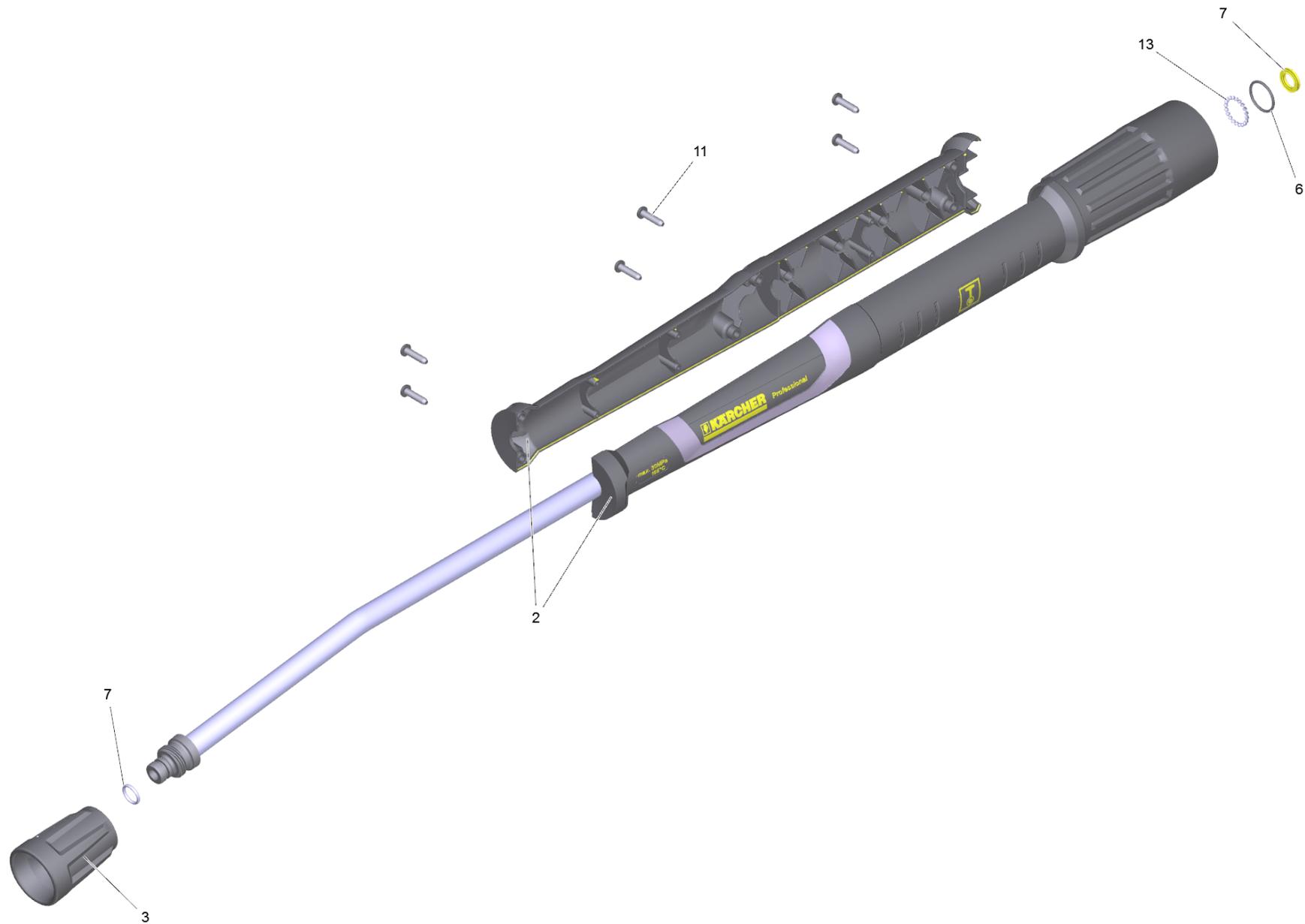
---

43 Jet pipe TR 840 mm (4.112-006.0)

---

<b>POS</b>	<b>Description</b>	<b>Quantity</b>	<b>Unit</b>
1	Jet pipe TR 840 mm	1.000	ST

---



## 1 Jet pipe TR 840 mm

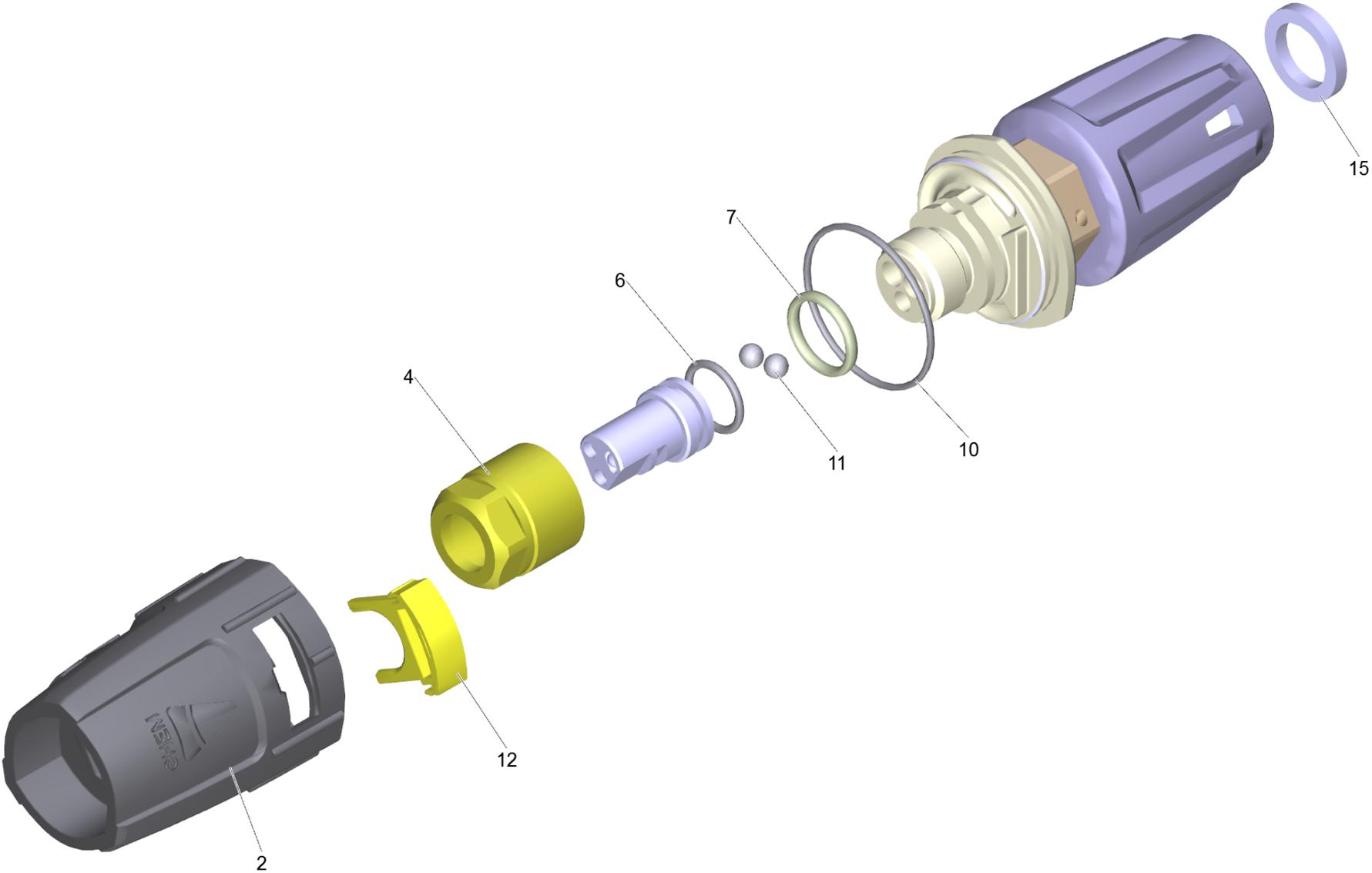
---

<b>POS</b>	<b>Article no.</b>	<b>Description</b>	<b>Quantity</b>	<b>Unit</b>
2	5.321-018.3	Handle bowl jet pipe only for replacemen	1.000	ST
6	6.362-067.0	O-Ring seal 16,1x1,6	1.000	ST
3	4.112-011.0	Protection part TR only for replacement	1.000	ST
11	7.303-129.0	Screw 4x16 -10.9-R2R (K-In6Rd)	6.000	ST
7	2.880-001.0	Spare part set seals TR	1.000	ST
13	7.401-915.0	Sphere 2,5 G20 -1.4034 DIN 5401	20.000	ST

44 Triple jet nozzle TR 034 (4.117-029.0)

---

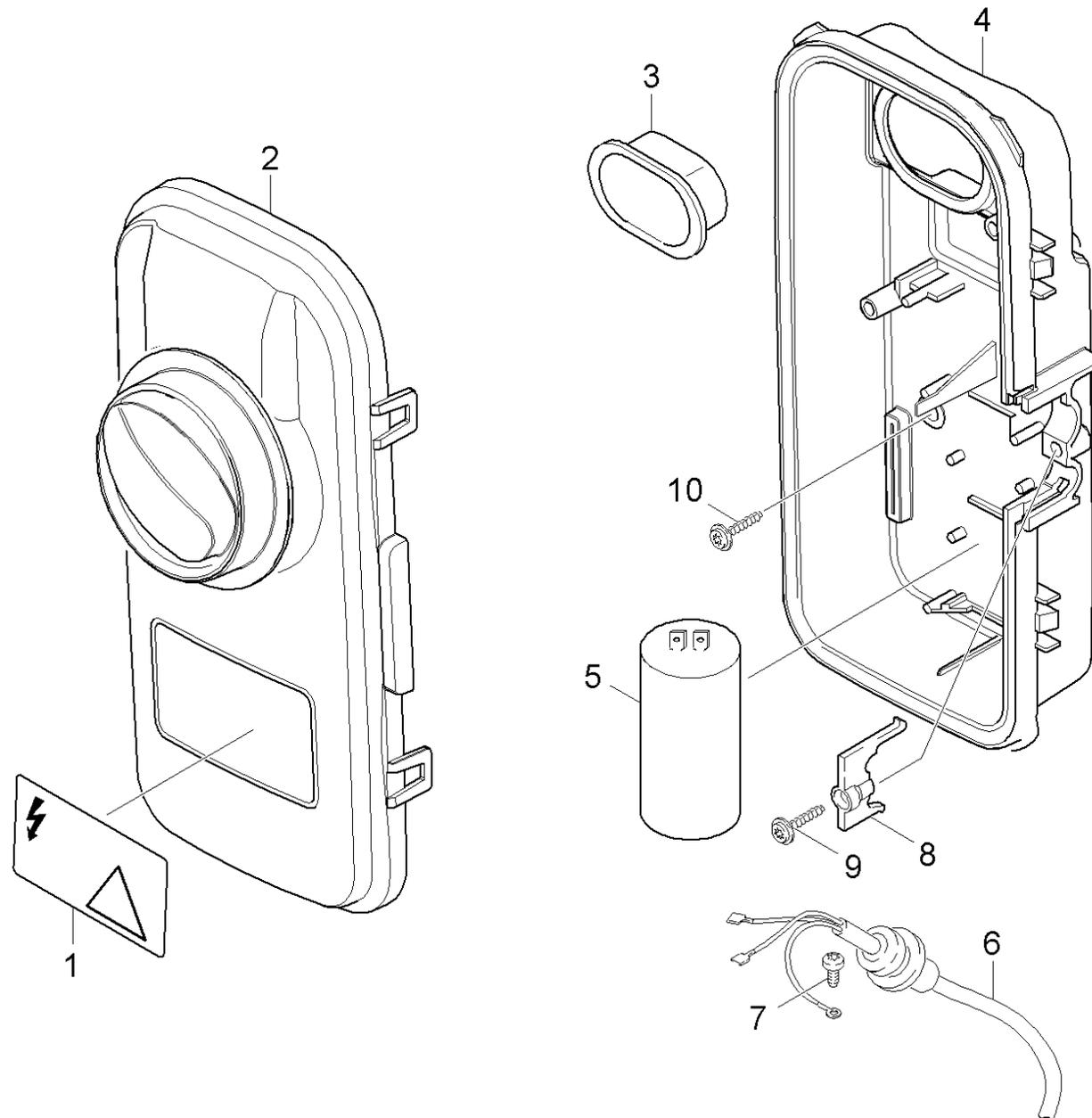
POS	Description	Quantity	Unit
1	Triple jet nozzle TR 034	1.000	ST



## 1 Triple jet nozzle TR 034

---

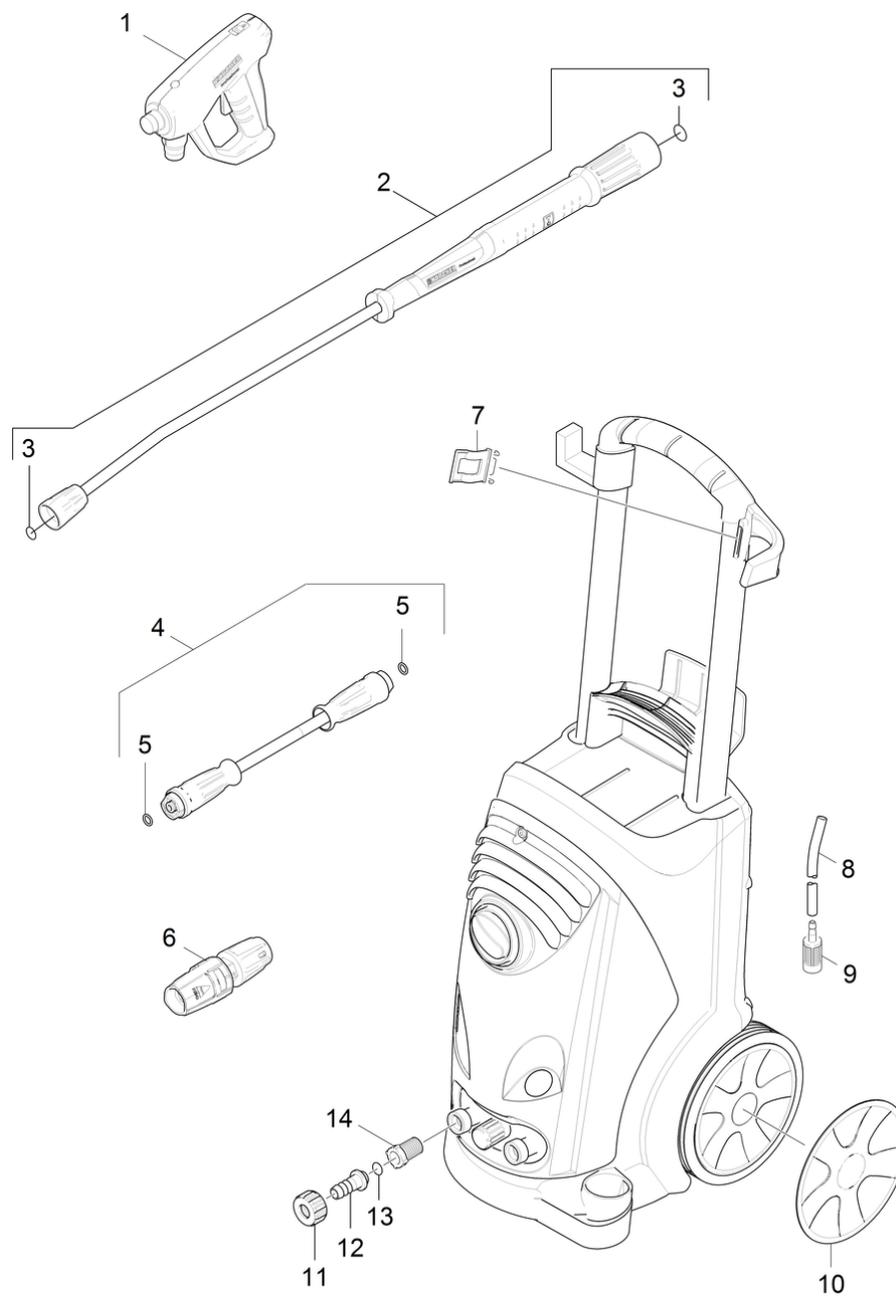
<b>POS</b>	<b>Article no.</b>	<b>Description</b>	<b>Quantity</b>	<b>Unit</b>
15	6.363-696.0	Brake ring 14x20x3	1.000	ST
12	5.321-884.0	Clamp	1.000	ST
4	5.311-225.0	Nut	1.000	ST
6	6.362-480.0	O-Ring seal 12,42x 1,78	1.000	ST
7	6.362-460.0	O-Ring seal 14,0 X 2,5-NBR 70	1.000	ST
10	6.362-409.0	O-Ring seal 32,0 X 1,5	1.000	ST
2	5.394-859.0	Protection part	1.000	ST
11	7.401-902.0	Sphere 5 G20 -1.4034 DIN 5401	2.000	ST



## 50 Electric box

---

<b>POS</b>	<b>Article no.</b>	<b>Description</b>	<b>Quantity</b>	<b>Unit</b>
6	6.648-906.3	Cable with plug	1.000	ST
5	6.661-298.0	Capacitor 40 $\mu$ F	1.000	ST
4	5.061-000.0	Housing	1.000	ST
1	5.388-512.0	Label	1.000	ST
3	5.365-181.0	Profile gasket	1.000	ST
9	6.303-200.0	Screw 5x25-IN6RD	1.000	ST
7	7.303-031.0	Screw M4x10 -St-P2R (In6Rd)	1.000	ST
10	6.303-153.0	Screw M5x15-ST-R2R (IN6RD)	3.000	ST
2	4.744-266.0	Switch complete	1.000	ST
8	5.263-051.0	Tensioning part	1.000	ST



1020 Short spare parts list

POS	Article no.	Description	Quantity	Unit	Foot note text
1	4.118-005.0	EASY!Force Advanced	1.000	ST	
9	5.731-652.0	Filter with weight	1.000	ST	
7	5.044-216.0	Holder	1.000	ST	
4	6.110-055.0	Hose assembly TR replacement DN6 30MPa 1	1.000	ST	
8	6.388-216.0	Hose DN 5	1.000	M	TO ORDER AS CUT GOODS
12	5.443-229.0	Hose stem	1.000	ST	
2	4.112-006.0	Jet pipe TR 840 mm	1.000	ST	
11	5.310-065.0	Nut	1.000	ST	
5	2.880-154.0	O-Ring kit	1.000	ST	
13	6.362-078.0	O-Ring seal 13,3x2,4	1.000	ST	
3	2.880-001.0	Spare part set seals TR	1.000	ST	
10	4.515-323.0	Spare parts set wheel cap basalt grey RA	1.000	ST	
14	6.414-252.0	Strainer	1.000	ST	
6	4.117-029.0	Triple jet nozzle TR 034	1.000	ST	