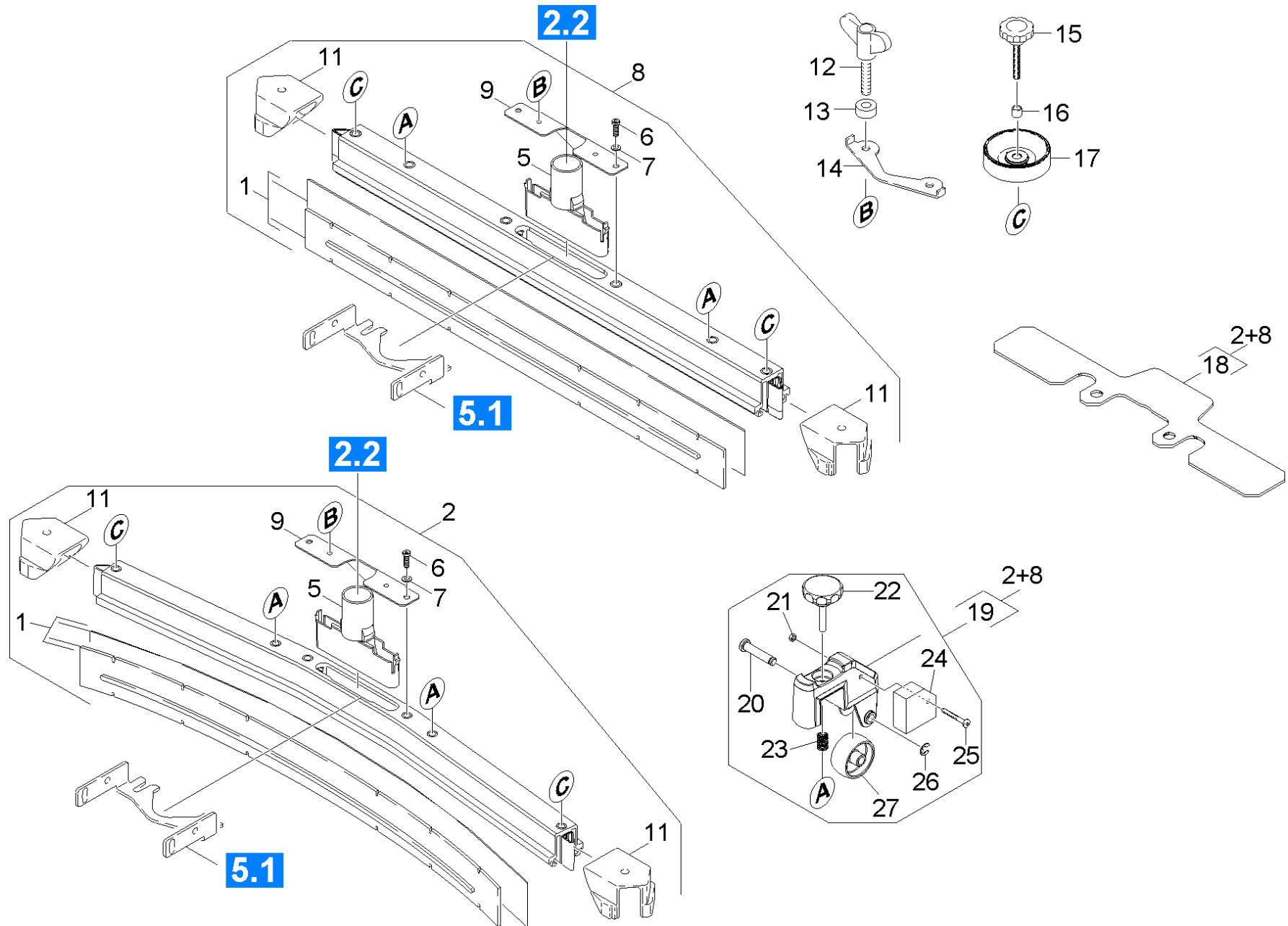


54 Suction bar

Professional \ Floor cleaner \ Ride-on \ BD 90/140R Pack *EU \ Spare parts list BR-BD 75/90-140 \ Suction bar \ Suction bar



54 Suction bar

Professional \ Floor cleaner \ Ride-on \ BD 90/140R Pack *EU \ Spare parts list BR-BD 75/90-140 \ Suction bar \ Suction bar



POS	Preces Nr.	Apraksts	Skaitis	Vienība	Zemsvītras piezīme
19	2.640-023.0	Add-on kit rollers suction bar	1.000	ST	
18	5.128-339.0	Additional weight suction bar	1.000	ST	
24	5.100-560.0	Additional weight suction bar 300 g	2.000	ST	
14	5.007-217.0	Baffle plate	2.000	ST	
1	6.273-293.0	BLADES FOR TEXTURED FLOORS	1.000	ST	CLOSED, OIL RESISTANT
20	5.304-098.0	Bolt	2.000	ST	
6	7.306-142.0	Cylinder head screw M 8x25-A4-70 ISO 47	2.000	ST	
11	2.885-294.0	End piece left/right part	1.000	ST	
1	6.273-209.0	Gumijas mēlišu komplekts, eļļizturīgas	1.000	ZSA	OIL RESISTANT
21	7.311-431.0	hexagon nut	2.000	ST	
17	5.515-346.0	Ies. rullītis iesūkšanas latai D120	2.000	ST	
26	7.343-303.0	Locking ring 8-A2 DIN 6799	2.000	ST	
23	5.332-504.0	Piespiedējatspere	2.000	ST	
27	6.435-401.0	Ritenis D54	2.000	ST	
19	4.035-339.0	Roller suction bar	2.000	ST	
1	6.273-206.0	Rubber lip set anti stripe oil resistant	1.000	ZSA	ANTI-STRIP, OIL RESISTANT
1	6.273-215.0	Rubber lip set standard	1.000	ZSA	STANDARD
25	7.306-185.0	Screw M5x 35-A2-70 (IN6RD)	2.000	ST	
13	5.112-810.0	Sleeve	2.000	ST	
12	5.305-296.0	Spārnu skrūve M8 x 40 VA	2.000	ST	
22	6.321-240.0	Star grip with inscription VA Ø50x43	2.000	ST	
2	4.777-413.0	Suction bar curved 1060mm	1.000	ST	
8	4.777-403.0	Suction bar straight 1060mm	1.000	ST	
9	5.100-559.0	Suction bar support plate	1.000	ST	
5	5.033-601.0	Suction nipple	1.000	ST	
15	6.321-239.0	Sēņveida rokturis A Ø 50x43	2.000	ST	
16	5.094-231.0	Uzmava iesūkšanas latai	2.000	ST	
7	7.312-017.0	wascher	2.000	ST	