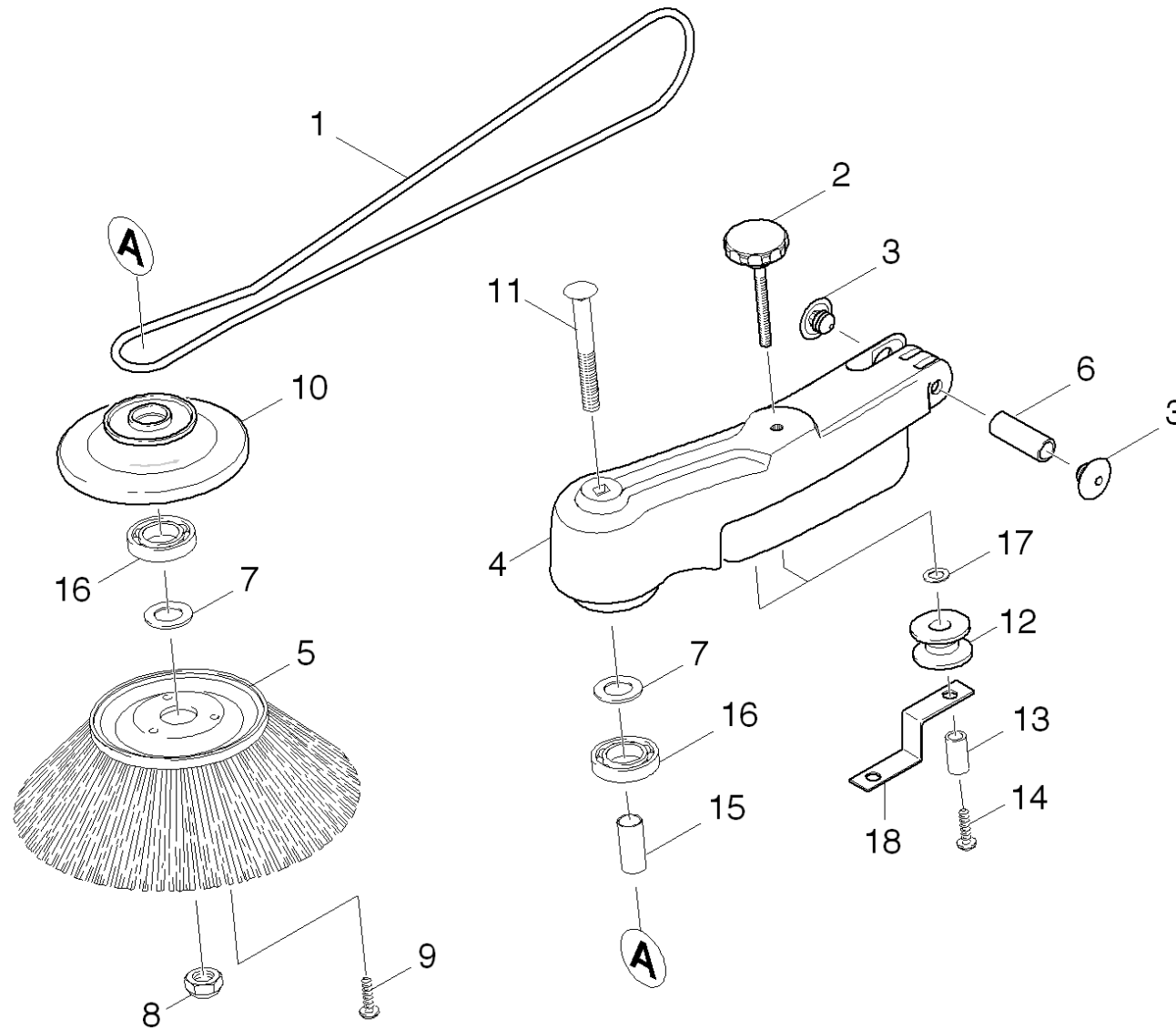


# 21 Side broom right

Professional \ Sweepers \ Manually operated \ KM 70/20 C mit 2.SB \ Spare parts list KM 70/20 C 2SB \ Side broom \ Side broom right



## 21 Side broom right

Professional \ Sweepers \ Manually operated \ KM 70/20 C mit 2.SB \ Spare parts list KM 70/20 C 2SB \ Side broom \ Side broom right

**KÄRCHER**

POS	Article no.	Description	Quantity	Unit
4	5.032-638.0	Arm side broom	1	PC
16	7.401-008.0	Ball bearing 6001-2RS Edelstahl DIN 625-1	2	PC
12	6.997-622.0	Deflection pulley	2	PC
10	6.966-002.0	Flange	1	PC
8	7.311-511.0	Hexagon nut M10-8-A2K ISO 7040	1	PC
3	6.385-935.0	Plug	2	PC
1	6.348-020.0	Round belt	1	PC
11	7.303-208.0	Saucer-head screw M10x130 -St-A0P DIN 603	1	PC
14	7.303-114.0	Screw 6 x 35-ST-10.9-R2R (IN6RD)	2	PC
9	6.303-092.0	Screw 6X20	3	PC
18	5.061-356.0	Sheet metal component belt side broom	1	PC
6	5.116-119.0	Sleeve	1	PC
15	6.966-020.0	Spacer sleeve 12x0,8x31	1	PC
5	2.884-935.0	Spare parts set side broom	1	PC
13	6.966-009.0	Tube 10x1,5x16	2	PC
2	6.321-176.0	Turning knob yellow D55mm	1	PC
17	7.312-276.0	Washer 6 -200HV-A2E ISO7093-1	2	PC
7	7.312-153.0	Washer 10 -160HV-A3E EN28738	2	PC