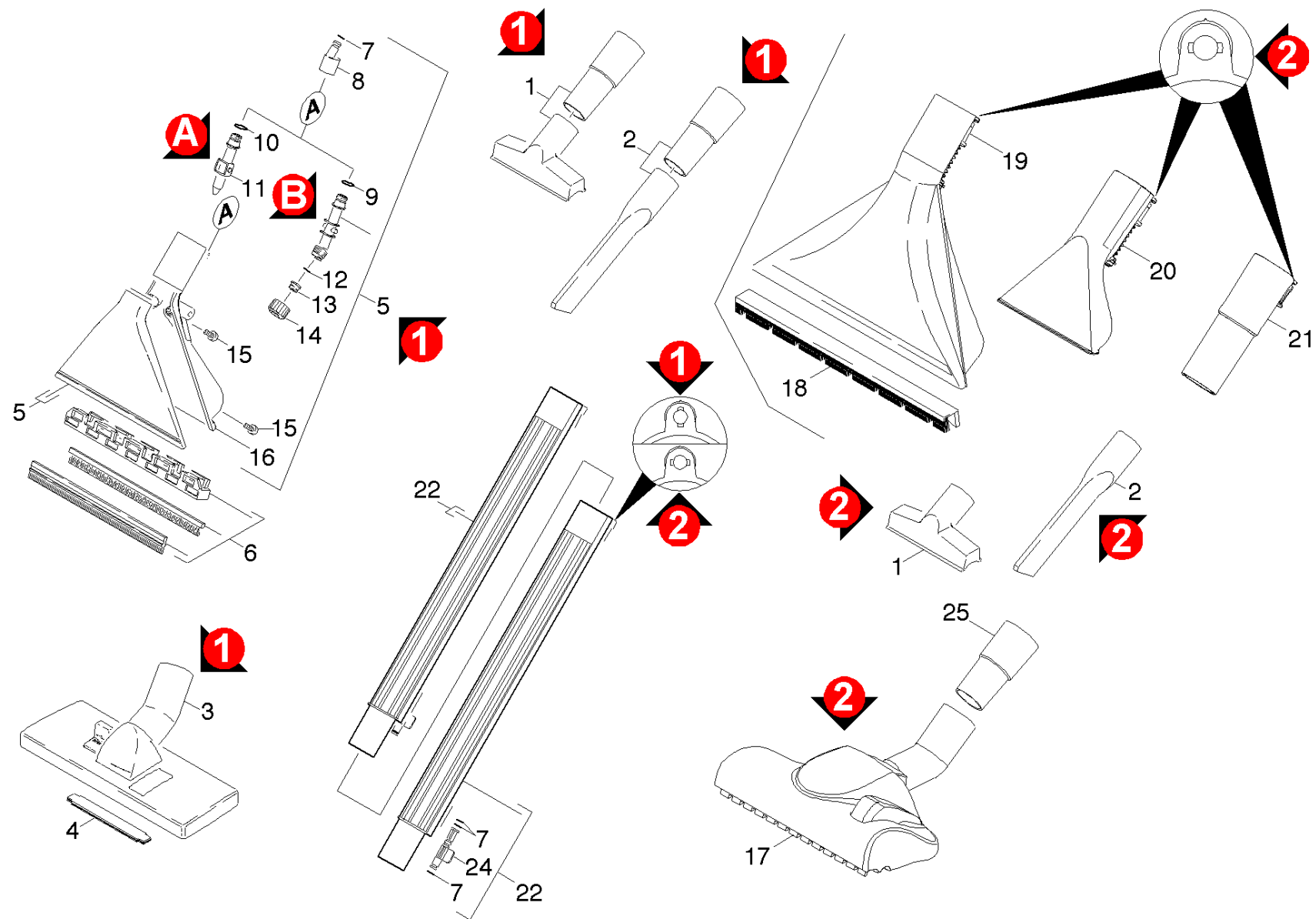


52 Accessories individual parts

Overview technical documents/Home & Garden/Spray extraction/SE 3001 *JP (1.081-751.0)/Spare parts list K 3001 / SE 3001 *JP/50 Accessories/52 Accessories individual parts



52 Accessories individual parts

Overview technical documents/Home & Garden/Spray extraction/SE 3001 *JP (1.081-751.0)/Spare parts list K 3001 / SE 3001 *JP/50 Accessories/52 Accessories individual parts

Rez.daļas/nodil.pakļ.daļas	Poz.	Materiāla Nr.	Nosaukums	Daudzums	Pārdoš. vienība	no sēr. Nr..	līdz sēr. Nr.	Daž. informācija
	1	2.638-607.0	Upholstery nozzle with reducer	1.000	ST	0000000000	0000000000	
	1	2.863-150.0	Upholstery nozzle NW 35	1.000	ST			
	2	2.638-606.0	Crevice nozzle	1.000	ST	0000000000	0000000000	
	2	6.900-385.0	Šaurais uzgalis stūriem DN35	1.000	ST			
	3	6.906-266.0	Sausās sūkšanas uzgalis	1.000	ST	0000000000	0000000000	
	4	6.905-417.0	Thread clipper	1.000	ZSA	0000000000	0000000000	
	5	2.863-152.0	Nozzle complete	1.000	ST	0000183896	0000000000	VERSION 1
Pozīcijas teksts: / 1.081-802.0								
	6	6.959-517.0	adapteris	1.000	ST	0000000000	0000000000	
X-X	7	6.959-090.0	Gredzenblīve 5,28X 1,78	9.000	ST	0000000000	0000000000	
	8	6.959-108.0	Elbow connector	1.000	ST	0000000000	0000000000	VERSION 1
	8		Elbow connector black	1.000	ST			VERSION 1
	9	6.362-101.0	Gredzenblīve 8 X 2	2.000	ST	0000000000	0000000000	
	10	6.362-101.0	Gredzenblīve 8 X 2	1.000	ST	0000000000	0000000000	
	11		Stockpiling discontinued	1.000	ST	0000000000	0000000000	
	12	6.362-113.0	Gredzenblīve 6,0 x 2,0 NBR 70	1.000	ST	0000000000	0000000000	
	13	6.415-166.0	Nozzle mouthpiece	1.000	ST	0000000000	0000000000	
	14	5.310-114.0	Nut	1.000	ST	0000000000	0000000000	VERSION 1
	14	5.310-043.0	Nut	1.000	ST			VERSION 1
	15	6.959-111.0	Screw	4.000	ST	0000000000	0000000000	
	16	6.959-360.0	Moulded part	1.000	ST	0000000000	0000000000	VERSION 1
	16	6.959-520.0	Moulded part black	1.000	ST	0000000000	0000000000	VERSION 1
	17	6.906-874.0	Combination nozzle packaged DN35	1.000	ST			
	18	9.012-277.0	Ieliktnis paklāju tīrītājam Spray-Ex	1.000	ST			
	19	9.012-276.0	Uzgalis paklāju tīrīšanai Spray-Ex	1.000	ST			

52 Accessories individual parts

Overview technical documents/Home & Garden/Spray extraction/SE 3001 *JP (1.081-751.0)/Spare parts list K 3001 / SE 3001 *JP/50 Accessories/52 Accessories individual parts

Rez.daļas/nodil.pakļ.daļas	Poz.	Materiāla Nr.	Nosaukums	Daudzums	Pārdoš. vienība	no sēr. Nr.	līdz sēr. Nr.	Daž. informācija
X	20	9.012-278.0	Hand nozzle Sprueh-ex/HOME LINE	1.000	ST			
	21	9.012-279.0	adapter	1.000	ST			
	22	6.959-038.0	Pagarinājuma šļūtene	2.000	ST	0000000000	0000183895	
	22	6.959-518.0	Pagarinājuma šļūtene	2.000	ST	0000183896	0000000000	
	22	9.012-468.0	Pagarin. šļūtene SE 4002	2.000	ST			
	24	6.959-103.0	Locking part	3.000	ST	0000000000	0000000000	
	25	6.902-058.0	Reduceer	1.000	ST			