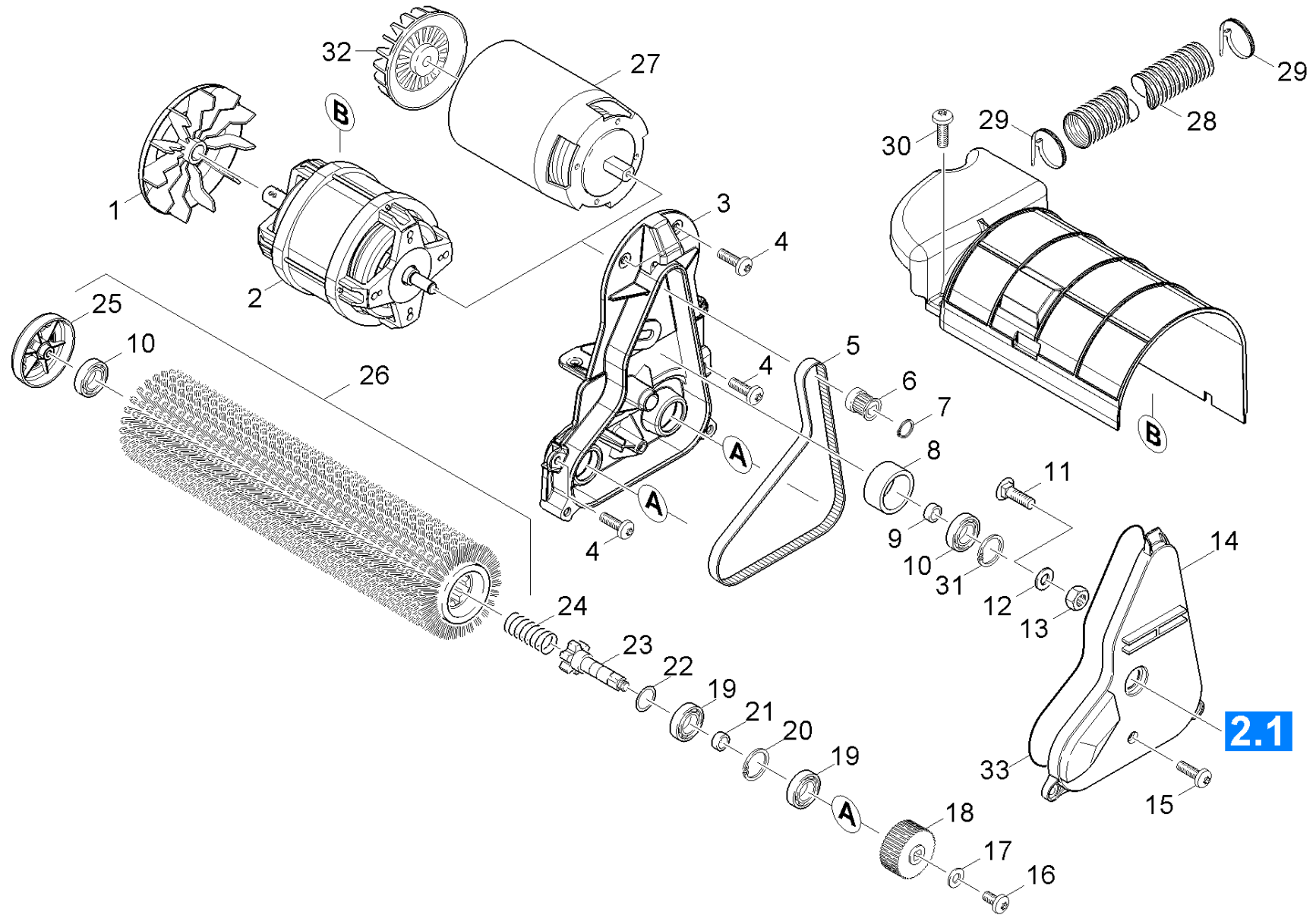


51 Brush-head BR

Overview technical documents/Professional/Floor cleaner/Walk behind/BR 40/25 C Bp Pack (1.515-304.0)/Spare parts list BR/BD 40/25 C/50 Brush-head/51 Brush-head BR



51 Brush-head BR

Overview technical documents/Professional/Floor cleaner/Walk behind/BR 40/25 C Bp Pack (1.515-304.0)/Spare parts list BR/BD 40/25 C/50 Brush-head/51 Brush-head BR

Rez.daļas/nodil.pakļ.daļas	Poz.	Materiāla Nr.	Nosaukums	Daudzums	Pārdoš. vienība	no sēr. Nr..	līdz sēr. Nr.
	1	6.612-764.0	Blower wheel	1.000	ST		
Pozīcijas teksts: /1.515-101/-102/-103/-105/-106/-107/-108.0							
	2	4.612-005.0	Motor replacement	1.000	ST		
Pozīcijas teksts: /1.515-101/-102/ -107/-108.0							
	2	6.612-889.0	Motor 120V 60Hz	1.000	ST		
Pozīcijas teksts: //1.515-103/-105/ -106.0							
	3	4.093-001.0	Gear case replacement	1.000	ST	0000000000	0000000000
	4	7.306-194.0	Screw	4.000	ST	0000000000	0000000000
X-X	5	6.348-417.0	Zobsiksna HTD-570-3M-15 CXPIII	1.000	ST	0000000000	0000000000
	6	5.625-318.0	Belt pulley 21Z	1.000	ST	0000000000	0000000000
X	7	7.343-003.0	Bloķētājgredzens 12x1-Rf-St DIN 471	1.000	ST	0000000000	0000000000
	8	5.317-126.0	Nospriegojuma veltnītis BR 40/25	1.000	ST	0000000000	0000000000
	9	5.110-995.0	Spacer sleeve roller	1.000	ST	0000000000	0000000000
X	10	6.401-363.0	Lodīšu gultnis	2.000	ST	0000000000	0000000000
	11	7.303-194.0	Saucer-head screw M8x25-St-A0P DIN 603	1.000	ST	0000000000	0000000000
	12	7.312-017.0	wascher	1.000	ST	0000000000	0000000000
	13	7.311-510.0	Hexagon nut M 8-8-A2E ISO 7040	1.000	ST	0000000000	0000000000
	14	5.032-632.0	covering cap	1.000	ST	0000000000	0000000000
	15	7.303-047.0	Screw M6x16 -St-R3R (In6Rd)	3.000	ST	0000000000	0000000000
X	16	6.304-180.0	Screw M6X12-A2/70-ISO7045 (IN6RD)	2.000	ST	0000000000	0000000000
	17	7.312-276.0	Washer 6 -200HV-A2E ISO7093-1	2.000	ST	0000000000	0000000000
X	18	5.625-357.0	Screw 56Z HTD 3M	2.000	ST	0000000000	0000000000
X-X	19	7.401-115.0	Lod.gultnis 6002-2RS -WAEZLAGST DIN 62	4.000	ST	0000000000	0000000000
X-X	20	7.343-231.0	Sprostpaplāksne 32x1,2 -St-ph DIN 472	2.000	ST	0000000000	0000000000
X	21	5.110-996.0	Spacer sleeve bearing	2.000	ST	0000000000	0000000000

51 Brush-head BR

Overview technical documents/Professional/Floor cleaner/Walk behind/BR 40/25 C Bp Pack (1.515-304.0)/Spare parts list BR/BD 40/25 C/50 Brush-head/51 Brush-head BR

Rez.daļas/nodil.pakļ.daļas	Poz.	Materiāla Nr.	Nosaukums	Daudzums	Pārdoš. vienība	no sēr. Nr..	līdz sēr. Nr.
X-X	22	6.363-469.0	Joint ring stainless steel Nilos 6002	2.000	ST	0000000000	0000000000
X-X	23	5.100-494.0	Shaft transmission replacement	2.000	ST	0000000000	0000000000
	24	5.332-114.0	Helical spring	2.000	ST	0000000000	0000000000
X	25	4.038-677.0	Sheet metal component thread deflector	2.000	ST	0000000000	0000000000
X-X	26	4.762-003.0	Roller brush	2.000	ST	0000000000	0000000000
	26	4.762-274.0	Roller brush horsehair nature BR VS 400	2.000	ST	0000000000	0000000000
X-X	26	4.762-250.0	Roller brush white (old colour black)	2.000	ST	0000000000	0000000000
X-X	26	4.762-481.0	Roller brush black complete	2.000	ST		
X-X	26	4.762-252.0	Roller brush green (old colour grey)	2.000	ST	0000000000	0000000000
X-X	26	4.762-251.0	Roller brush orange (old colour red)	2.000	ST	0000000000	0000000000
	27	6.613-293.0	Direct current motor	1.000	ST		
Pozīcijas teksts: //1.515-201/-202/-205/-206/-207/-301/-302/-303/-304/-306/-307/-308.0							
	28	6.391-445.0	Hose air circulation	1.000	ST		
Pozīcijas teksts: /1.515-101/-102/103/-105/-106.0							
X-X	29	6.647-081.0	Cable tape	2.000	ST		
Pozīcijas teksts: /1.515-101/-102/103/-105/-106.0							
X-X	30	7.303-212.0	Skrūve 5x20 -A2-70 (In6Rd)	2.000	ST		
Pozīcijas teksts: /1.515-101/-102/103/-105/-106.0							
	31	7.343-151.0	Bloķētājgredzens 28x1,2-FST-RF DIN 472	1.000	ST	0000000000	0000000000
	32	6.613-025.0	Blower wheel	1.000	ST		
	33	6.273-037.0	Plombas aukla no porainas gumijas 3	1.000	M		