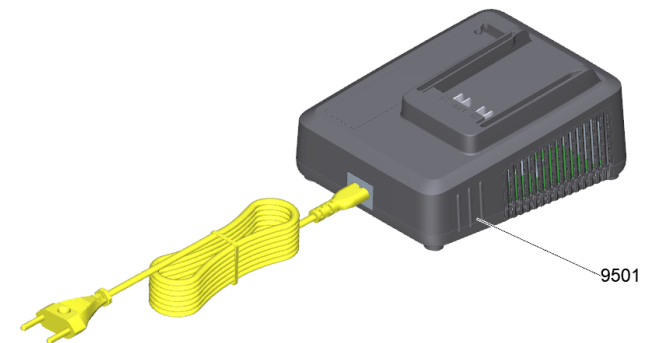
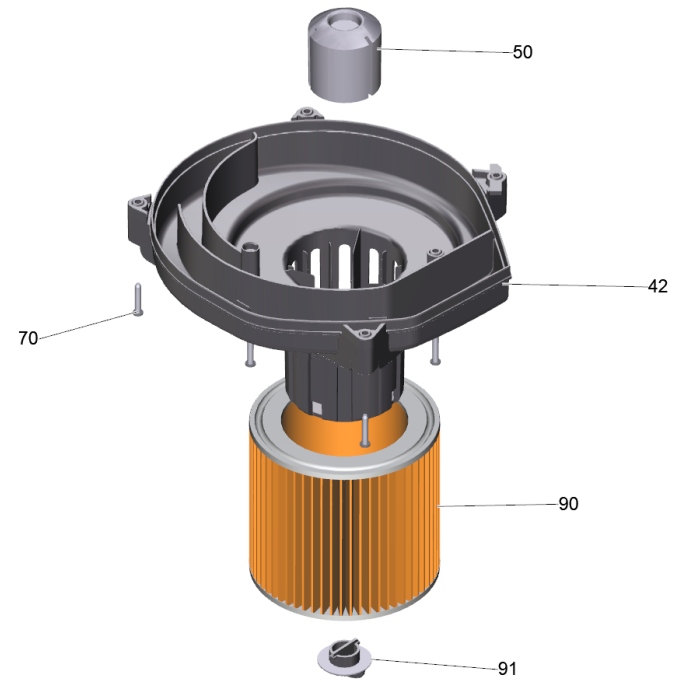
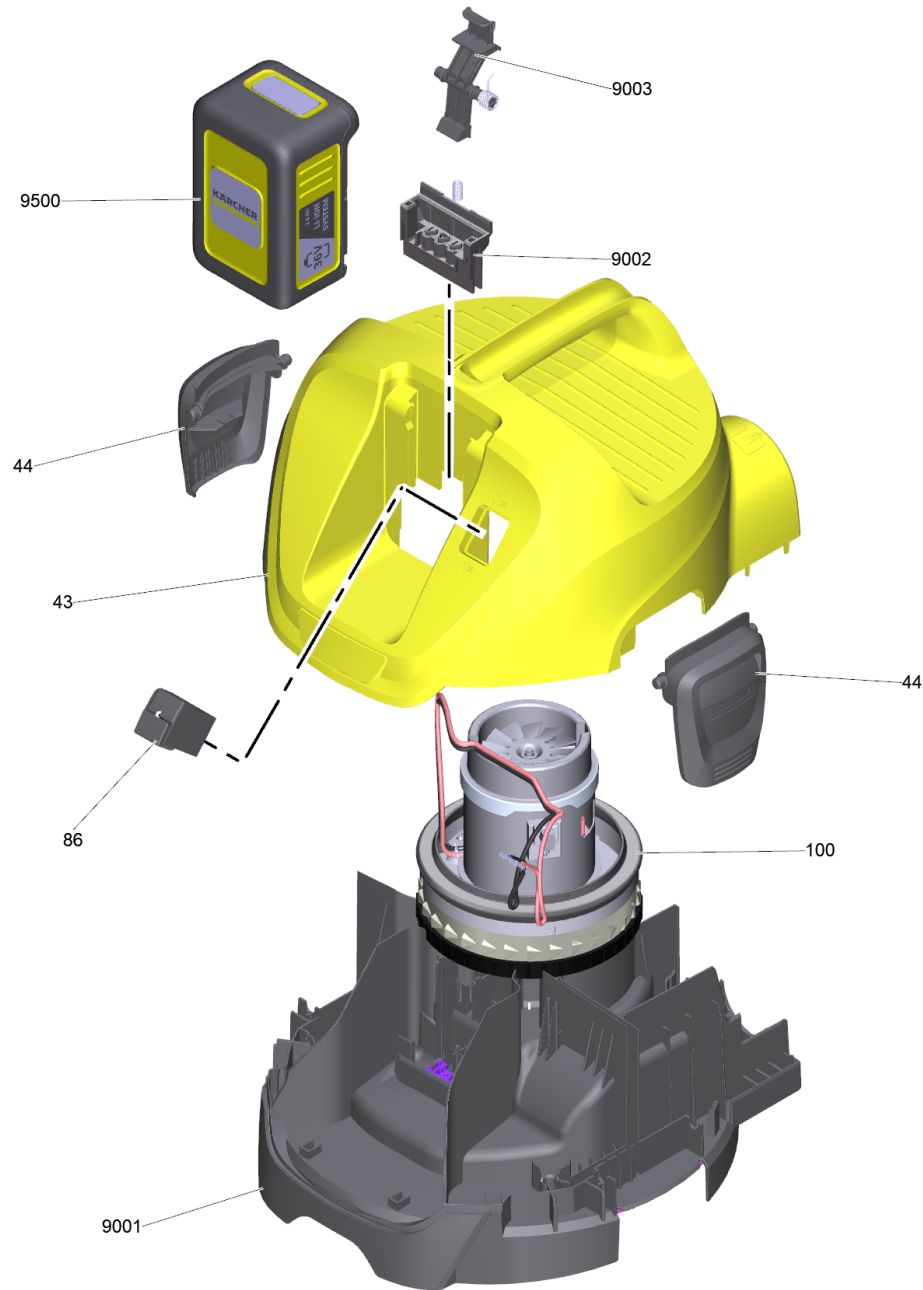
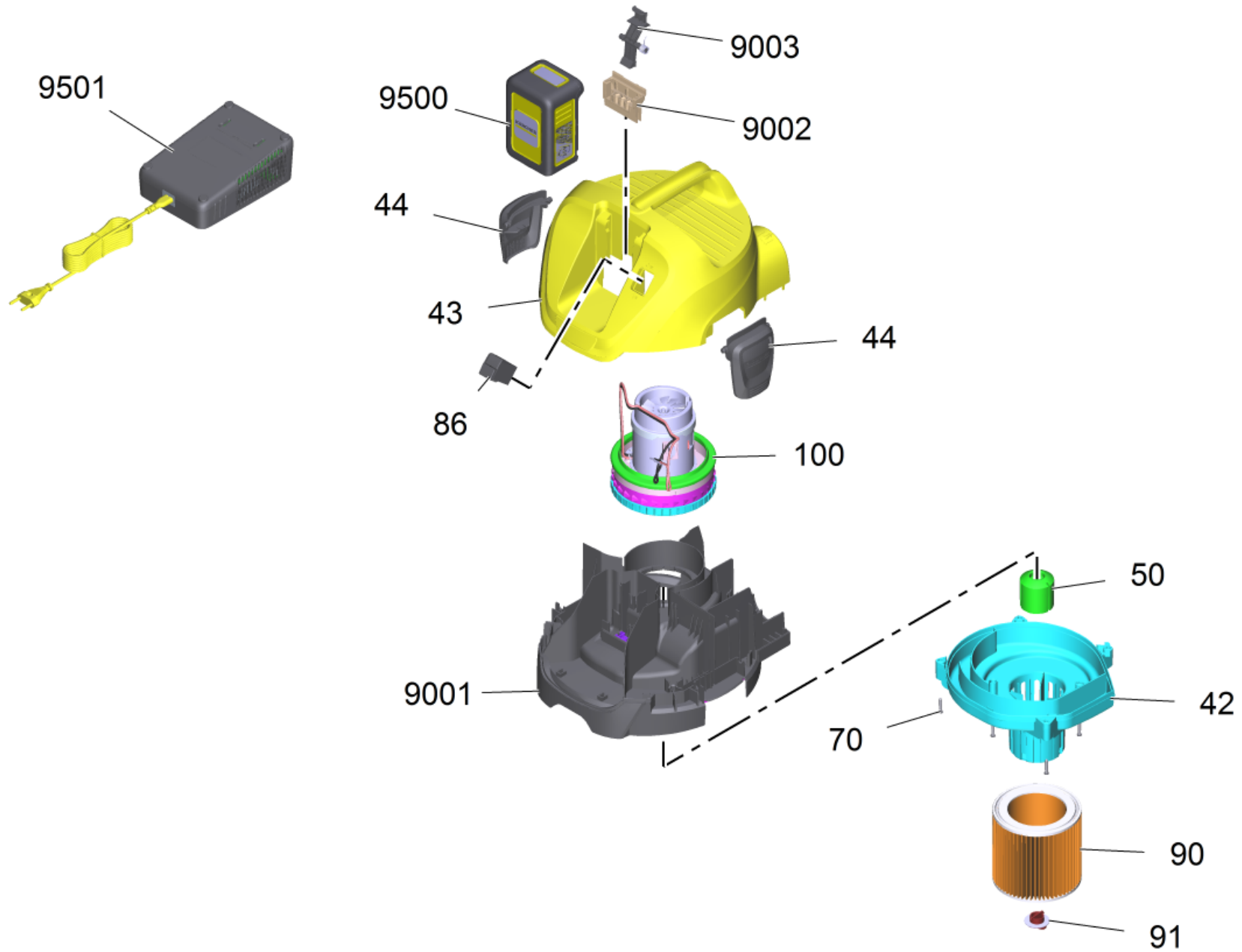
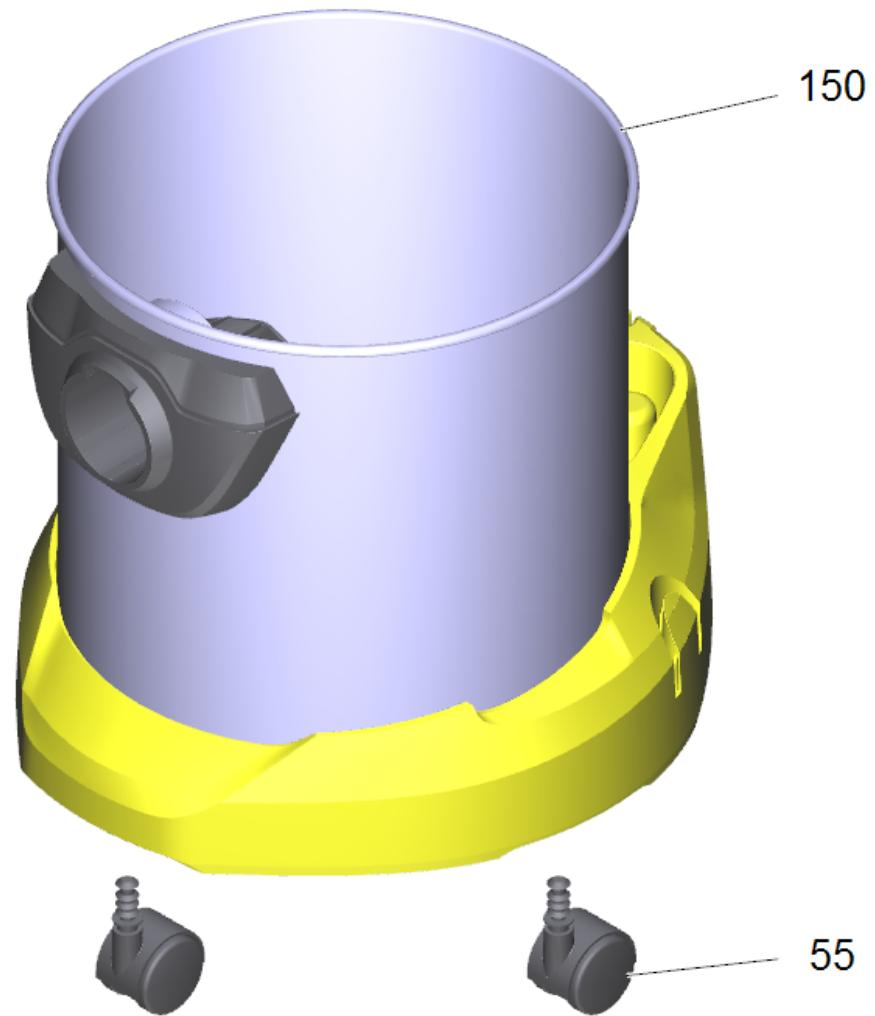


WD 3 Battery Premium Set *EU-II (1.629-951.0)

Home and Garden \ Vacuum cleaner \ Wet-/Dry vacuum cleanerwet \ WD 3 Battery Premium Set *EU-II







WD 3 Battery Premium Set *EU-II (1.629-951.0)

Home and Garden \ Vacuum cleaner \ Wet-/Dry vacuum cleanerwet \ WD 3 Battery Premium Set *EU-II



POS	Article no.	Description	Quantity	Unit	Remark
42	5.731-646.0	Filter cage	1	PC	
43	4.069-055.3	Cover WD 3 Battery complete	1	PC	
44	5.075-037.0	Closure	2	PC	
50	5.585-062.0	Float ECO	1	PC	
55	6.435-353.0	Castor D 42	4	PC	
70	6.303-150.0	Screw 4,2x 22	6	PC	
86	6.630-087.0	Switch	1	PC	
90	6.414-552.0	Cartridge filter WD/SE	1	PC	
91	4.075-012.0	Closure complete	1	PC	
100	4.624-353.3	Blower motor only for replacement	1	PC	
150	4.440-011.0	Tank metal packaged	1	PC	
9000		Accessories	1	PC	
9001	4.053-005.0	Set motor bracket	1	PC	
9002	4.053-006.0	Set ejector accumulator	1	PC	
9003	4.053-007.0	Set releasing device accumulator	1	PC	
9500	2.445-030.0	Battery Power 36/25 DW *INT	1	PC	36V/2,5Ah
9500	2.445-031.0	Battery Power 36/50 DW *INT	1	PC	36V/5,0Ah
9501	2.445-033.0	Fast battery recharger Battery Power 36 V *EU	1	PC	36V/2,5A
9501	2.445-045.0	Battery charger Battery Power+ 36/60 *EU	1	PC	36V/6,0A
9501	2.445-054.0	Uni-Charger Battery Power+ 18-36/60 *EU	1	PC	18-36V/2,5-6A *EU