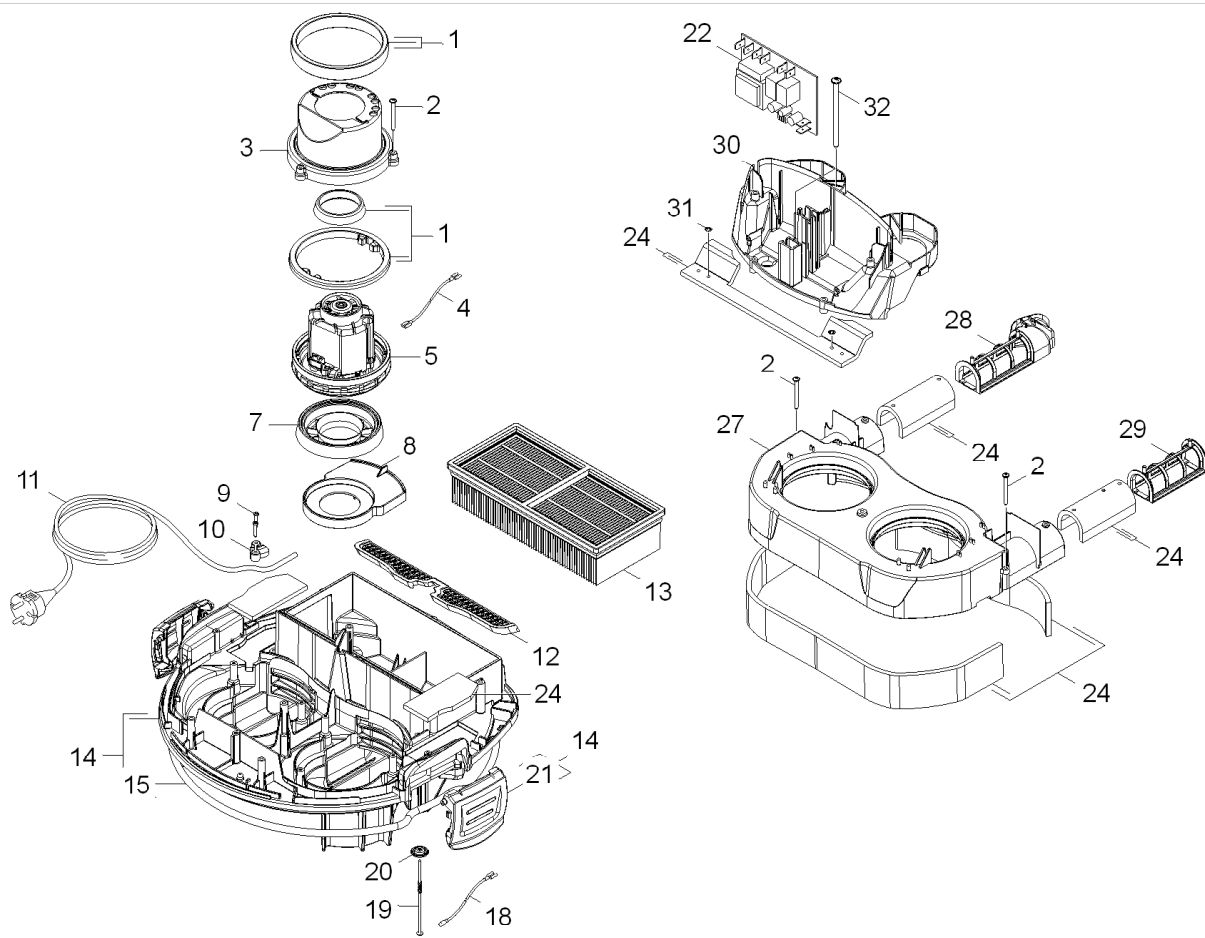


.. \.. \.. \.. \.. \.. \.. \ 20 Vacuum motor

Neuzskaitītās detaļas nav rezerves daļas



	Rez.dajas/nodil.pakj.dajas	Poz.	Materiāla Nr.	Nosaukums	Daudzums	Pārdoš. vienība
		1	2.363-001.0	Seal turbine Set	1.000	ST
		2	7.303-085.0	Screw 4x 35 -10.9-R2R (K-In6Rd)	6.000	ST
		3	5.605-340.0	Housing turbine	2.000	ST
		4	6.650-107.0	Cable turbine	4.000	ST
		5	6.490-245.0	Vakuuma turbīna 230V	2.000	ST
		7	5.195-290.0	seal motor	2.000	ST
		8	5.401-322.0	Insert housing base plate	2.000	ST
		9	7.303-096.0	Skrūve 4x22 -ST-10.9-R2R (IN6RD)	2.000	ST
		10	5.033-553.0	Covering cap power cable	1.000	ST
		11	6.650-074.0	Power cable 10m *EU	1.000	ST
		12	5.363-729.0	Seal supply air	1.000	ST
		13	6.904-283.0	Filtrs plakanais , NT 65 NT75	1.000	ST
		14	4.605-125.0	Housing base plate complete	1.000	ST
		15	6.362-857.0	Vads no porainās gumijas D10	1.000	ST
		18	6.649-896.0	Cable probe	2.000	ST
		19	5.107-287.0	Probe	2.000	ST
		20	6.312-130.0	Washer	2.000	ST
		21	5.033-434.0	Locking clip	2.000	ST
		22	6.683-053.0	Electronics Ap	1.000	ST
		24	2.286-004.0	Insulating mat air circulation set	1.000	ST
		27	5.605-353.0	Housing air circulation	1.000	ST
		28	5.394-894.0	Holder insulating mat right	1.000	ST
		29	5.394-867.0	Holder insulating mat	1.000	ST
		30	5.044-915.0	Holder electronics	1.000	ST
		31	6.343-145.0	Lock washer 5	2.000	ST
		32	7.303-171.0	Skrūve 5x30 -10.9-R2R (K-In6Rd)	2.000	ST