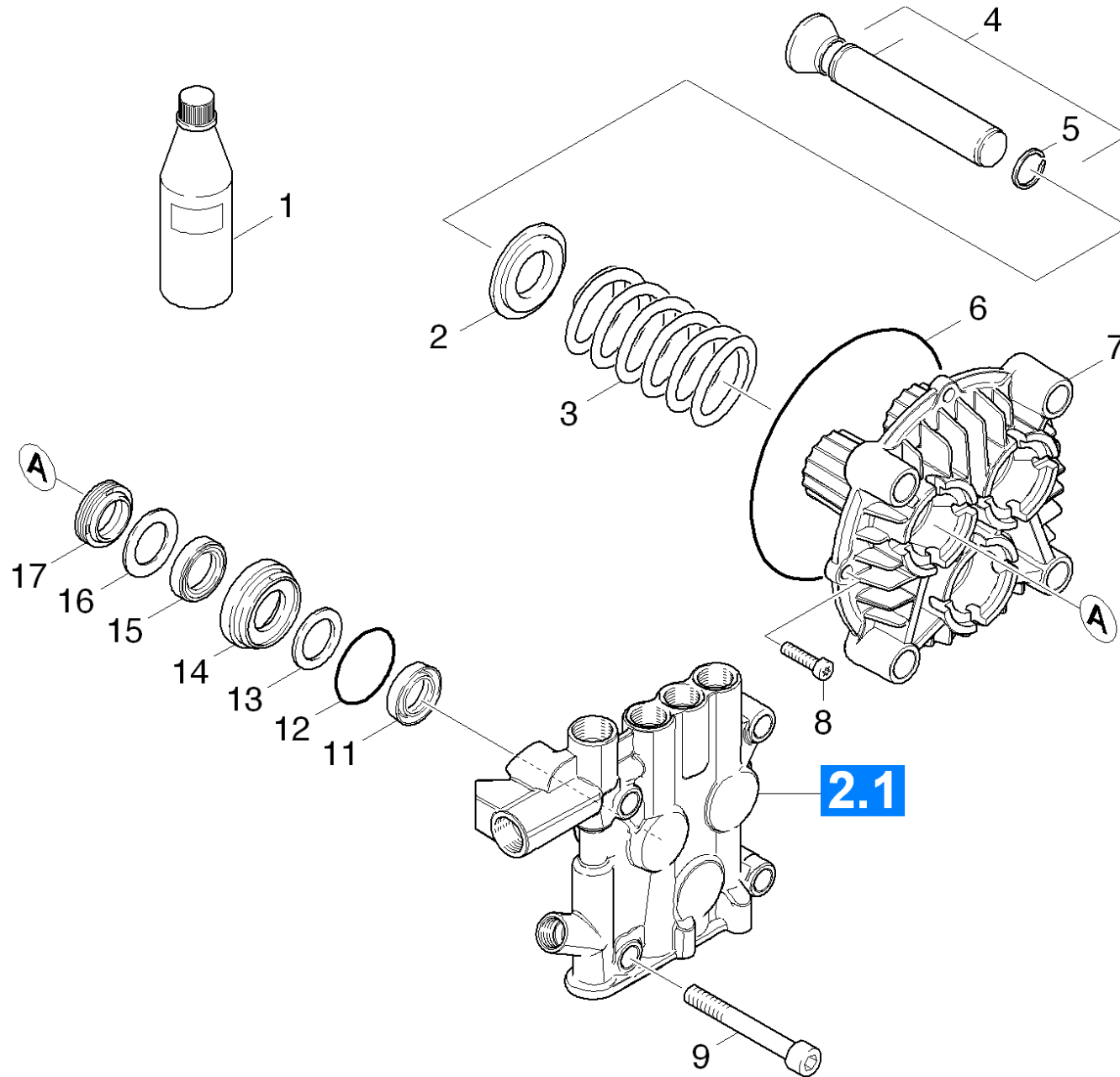


22 Piston

Professional \ High pressure cleaner hotwater \ Electric motor \ HDS 13/20-45X Plus *EU \ Spare parts list HDS 13/20-45 \ Pump set \ Piston



22 Piston

Professional \ High pressure cleaner hotwater \ Electric motor \ HDS 13/20-45X Plus *EU \ Spare parts list HDS 13/20-45 \ Pump set \ Piston

KÄRCHER

POS	Article no.	Description	Quantity	Unit
1	6.288-016.0	Gear oil 1L	1.000	ST
2	5.116-065.0	Washer D22	3.000	ST
3	5.332-187.0	Helical spring	3.000	ST
4	4.553-280.0	Piston complete only for replacement	3.000	ST
5	6.472-331.0	Snap ring 20	3.000	ST
6	6.363-228.0	O-Ring seal 114 x 3	1.000	ST
7	5.060-954.3	Thrust guidance D22	1.000	ST
8	7.306-105.0	Screw M6x30 -8.8-R3R (In6Rd)	2.000	ST
9	7.306-155.0	Cylinder head screw M12x100 -8.8-A3E IS	4.000	ST
11	6.365-055.0	Grooved ring 22x30x5	3.000	ST
12	6.362-092.0	O-Ring seal 36,0 X 2,0-NBR 70	3.000	ST
13	5.115-521.0	Washer	3.000	ST
14	5.112-414.3	Bush	3.000	ST
15	6.365-056.0	Compact seal 22X32X6	3.000	ST
16	5.115-520.0	Washer	3.000	ST
17	6.365-059.0	Grooved ring 22X30X6/8	3.000	ST