

Spare parts list

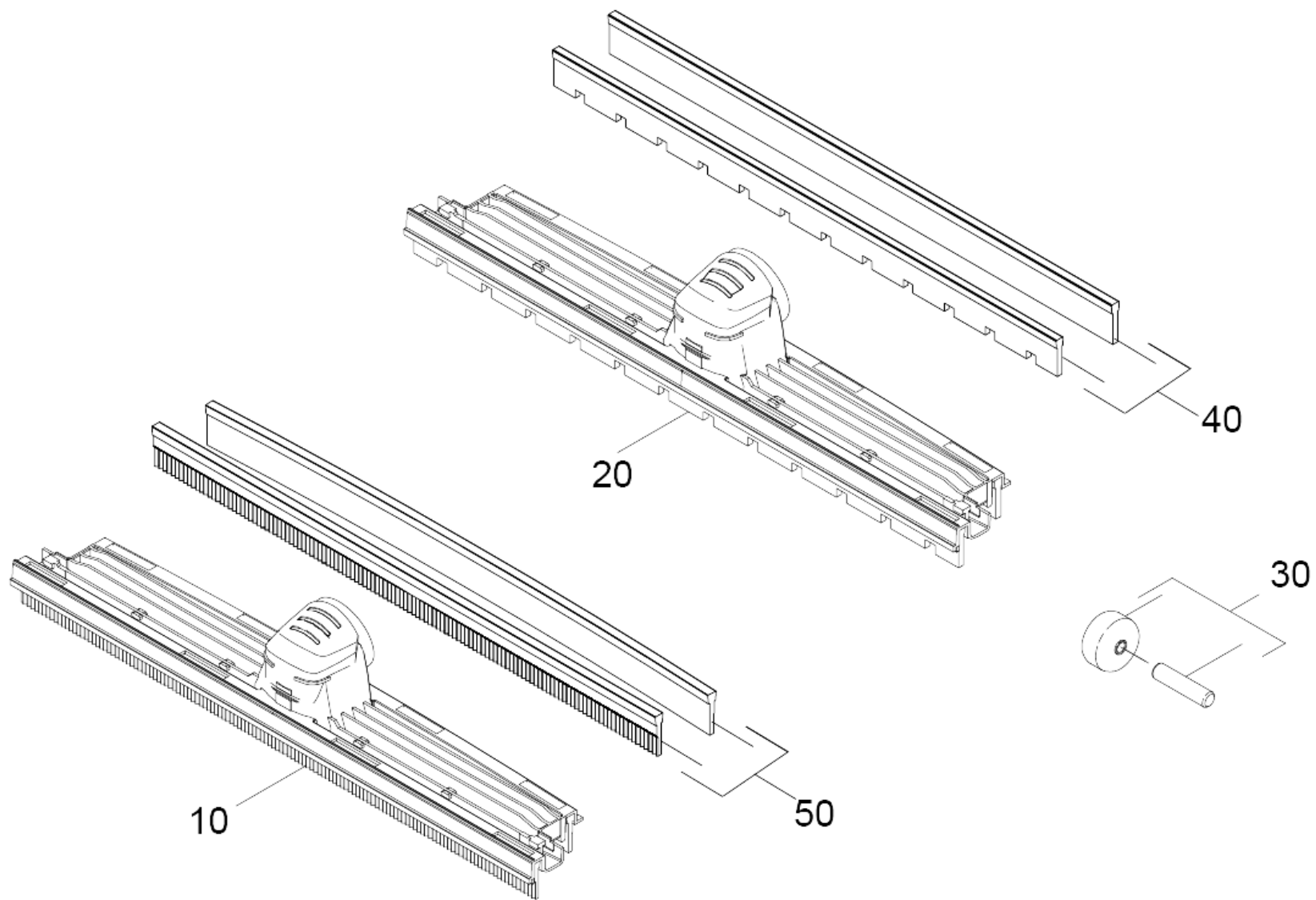
(2.889-152.0) Floor tool packaged NW35 360mm

Table of contents

40 Floor tool packaged NW35 360mm (2.889-152.0)	3
1 Floor tool complete NW35	4
10 Assembly group holder rubber lips (4.862-020.0)	6
20 Assembly group holder brush strips (4.862-017.0)	8

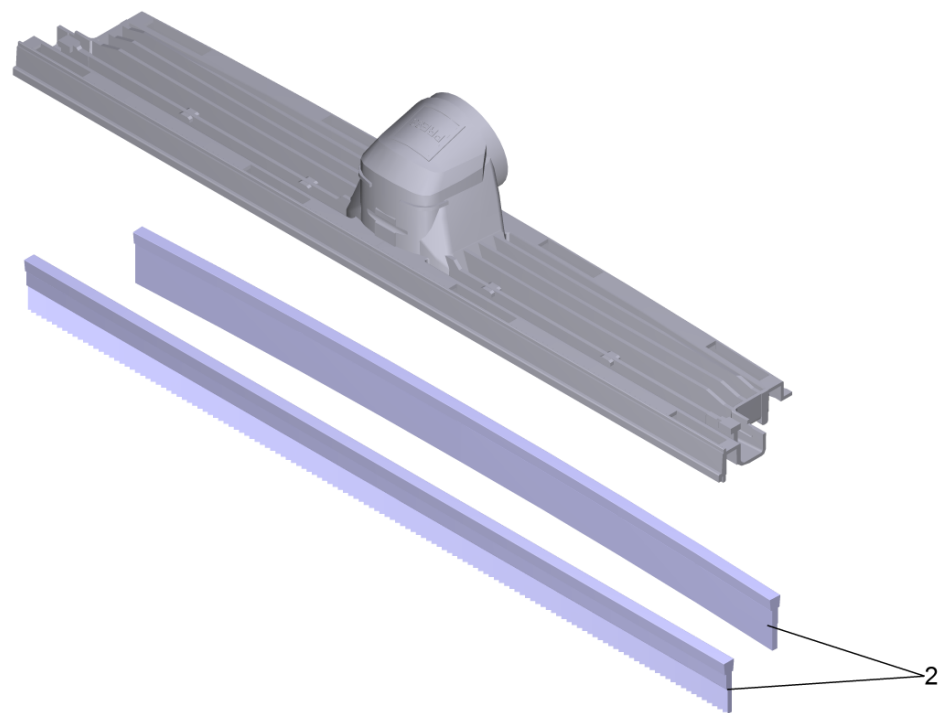
40 Floor tool packaged NW35 360mm (2.889-152.0)

POS	Description	Quantity	Unit
1	Floor tool complete NW35	1.000	ST



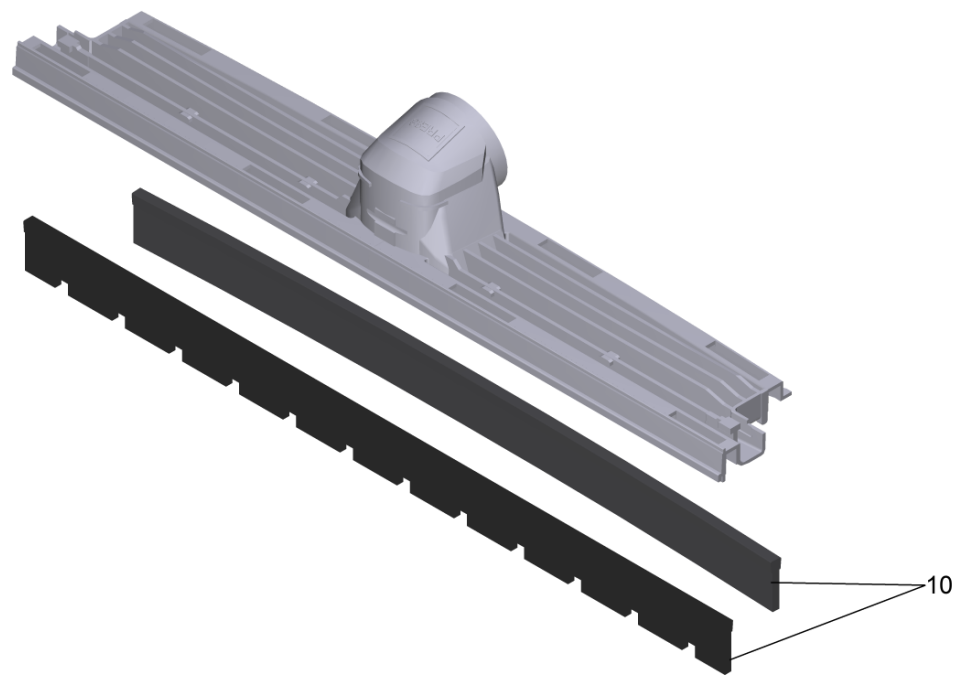
1 Floor tool complete NW35

POS	Article no.	Description	Quantity	Unit
20	4.862-017.0	Assembly group holder brush strips	1.000	ST
10	4.862-020.0	Assembly group holder rubber lips	1.000	ST
30	4.515-342.0	Roller complete with axle	2.000	ST
40	4.071-606.0	Spare parts set brush strip packaged	1.000	ST
50	4.071-607.0	Spare parts set rubber lips packaged	1.000	ST



10 Assembly group holder rubber lips (4.862-020.0)

POS	Article no.	Description	Quantity	Unit
2	4.071-607.0	Spare parts set rubber lips packaged	1.000	ST



20 Assembly group holder brush strips (4.862-017.0)

POS	Article no.	Description	Quantity	Unit
10	4.071-606.0	Spare parts set brush strip packaged	1.000	ST