

Spare parts list

(1.514-112.0) HD 5/14 C *EU

Table of contents

HD 5/14 C *EU (1.514-112.0)	4
Spare parts list HD 5/12 C_6/13 C (5.970-209.0)	5
10 Housing	6
20 PUMP SET	8
21 Cylinder head	9
4 Valve (3 Stück) (2.884-916.0)	12
11 Drain plug only for replacement (4.132-007.0)	14
20 Valve pin complete (4.584-022.0)	16
21 Nozzle insert only for replacement (4.769-034.0)	18
21 Nozzle insert (4.769-035.0)	20
24 Overflow valve for replacement (4.591-038.3)	22
31 Spindle complete (4.291-014.0)	24
47 Screw connector part (4.401-074.0)	26
100 PUMP SET HD 5/12 C (2.883-997.0)	28
20 Valve (3 Stück) (2.884-916.0)	30
22 Thrust guidance	32
30 Motor	34
Motor complete only for replacement (4.624-095.3)	37
12 Motor complete	39
40 Accessories	41
41 Hand trigger gun	42
1 HAND TRIGGER GUN EASY PRESS (4.775-463.0)	44
10 Hose assembly DN8 max.31,5MPa 10m (6.390-025.0)	46
42 Hand trigger gun	47
Hand trigger gun (4.775-492.0)	49
17 Hose assembly standard DN6 25MPa 10m (6.391-238.0)	51
43 Hand trigger gun	53
14 Hose assembly standard DN6 25MPa 10m (6.391-238.0)	55
14 Hose assembly standard DN6 25MPa 15m (6.391-394.0)	57
44 Jet pipe	59
45 Jet pipe	61
1 Jet pipe packaged only for replacement (4.760-663.0)	63
46 Nozzle	65
12 Dirt blaster 040 (4.767-023.0)	67
12 Dirt blaster packaged 03 (4.767-041.0)	68
47 Nozzle	69
Triple jet nozzle replacement 031 (4.767-145.0)	71
2 Spare parts list triple jet nozzle (5.970-837.0)	72

Table of contents

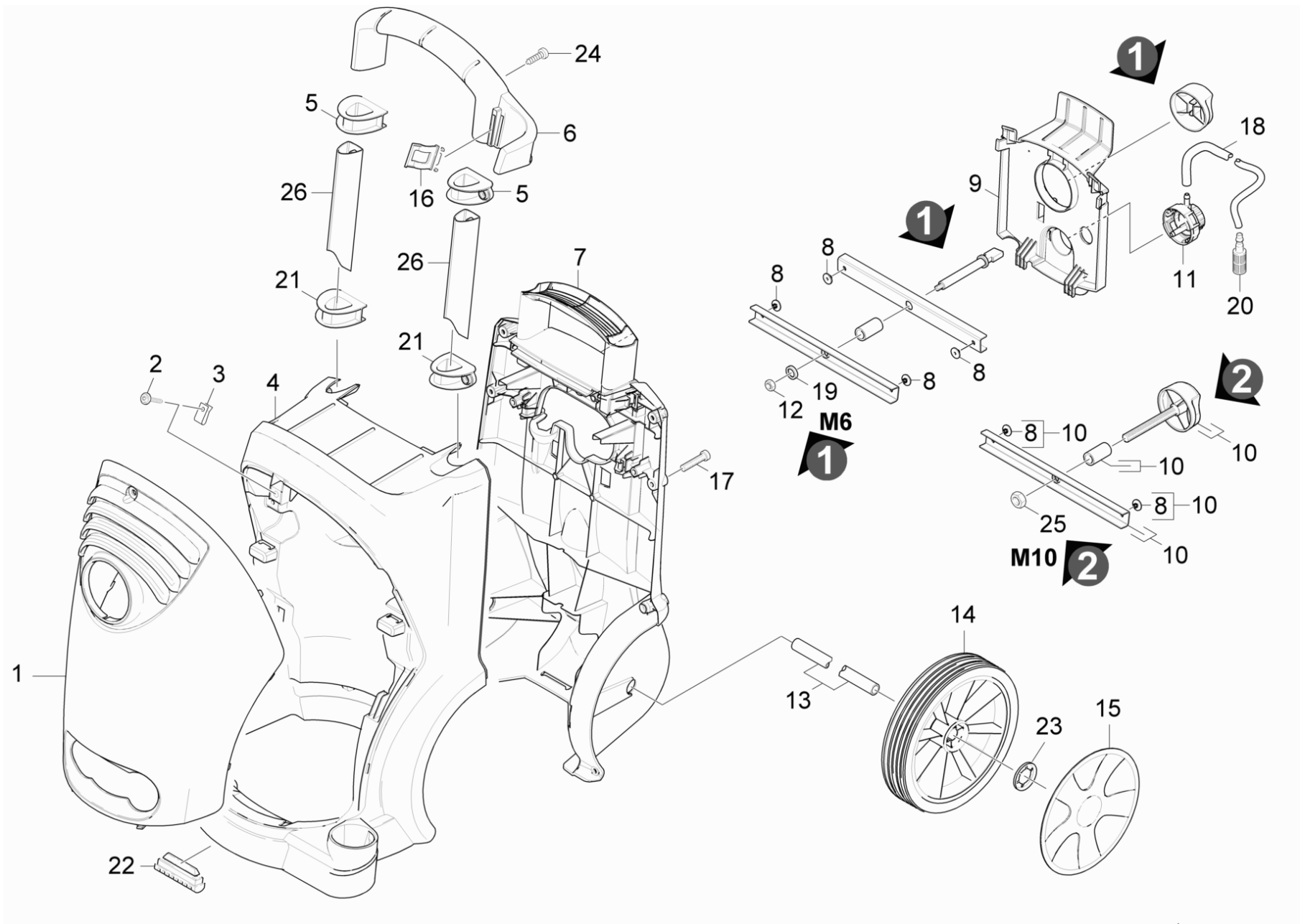
10 Triple jet nozzle plastics	73
20 Triple jet nozzle brass	75
Triple jet nozzle replacement 033 (4.767-146.0)	77
2 Spare parts list triple jet nozzle (5.970-837.0)	78
10 Triple jet nozzle plastics	79
20 Triple jet nozzle brass	81
Triple jet nozzle replacement 036 (4.767-148.0)	83
2 Spare parts list triple jet nozzle (5.970-837.0)	84
10 Triple jet nozzle plastics	85
20 Triple jet nozzle brass	87
Triple jet nozzle replacement 038 (4.767-149.0)	89
2 Spare parts list triple jet nozzle (5.970-837.0)	90
10 Triple jet nozzle plastics	91
20 Triple jet nozzle brass	93
50 Electric box	95

HD 5/14 C *EU (1.514-112.0)

POS	Article no.	Description	Quantity	Unit
0	5.970-209.0	Spare parts list HD 5/12 C_6/13 C	1	PC
Item text2: 3F0D334724350069E1000000C34F56CF15142010				

Spare parts list HD 5/12 C_6/13 C (5.970-209.0)

POS	Description	Quantity	Unit
10	Housing	1	PC
20	PUMP SET	1	PC
30	Motor	1	PC
40	Accessories	1	PC
50	Electric box	1	PC

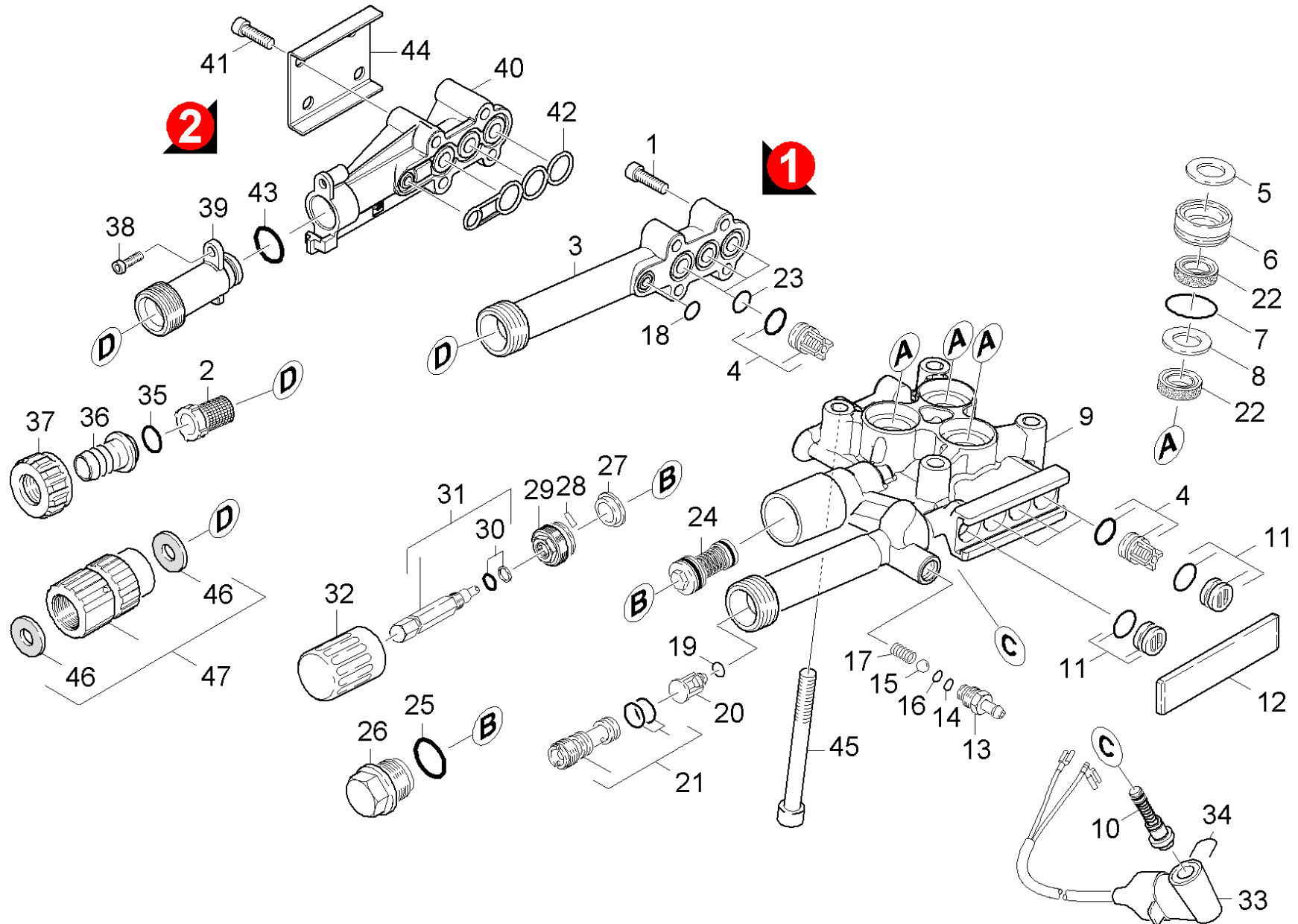


10 Housing

POS	Article no.	Description	Quantity	Unit	Remark	Foot note text
1	5.069-236.3	Device cover	1	PC		
	Item text1: 1.514-252.0					
1	5.069-442.3	Device cover basalt grey only for replac	1	PC		
2	6.304-099.0	Saucer-head screw M 6x 18-4.8-R2R	1	PC		
3	6.310-053.0	Putting nut	1	PC		
4	5.050-206.3	Frame front part	1	PC		
5	5.032-554.0	Guide	2	PC		
6	5.321-721.0	Hand grip	1	PC		
7	5.050-207.3	Frame rear panel for replacement	1	PC		
8	6.315-086.0	Rivet	4	PC		
9	5.032-556.3	Covering cap for replacement	1	PC	HD 5/12;HD 5/15;HD 6/13;HD 1.8/13	
9	5.032-648.0	Covering cap	1	PC	HD 5/14;HD 5/15	
10	2.885-007.0	Spare part set Griff	1	PC		
11	4.063-778.0	Proportioning valve chemistry	1	PC		
12	7.311-061.0	Hexagon nut M6-LH -8-A2E ISO 4032	1	PC	(M6)	
13	5.105-399.0	Axle	1	PC		
14	6.435-662.0	Wheel D200	2	PC		
15	4.515-347.0	Set wheel caps only for replacement	1	PC		SET OF 2 PIECES
15	6.435-725.0	Wheel cap black	2	PC		
	Item text1: 1.514-252.0					
16	5.044-216.0	Holder	1	PC		
17	7.303-108.0	Screw 5x20 -10.9-R2R (In6Rd)	10	PC		
18	6.388-216.0	Hose DN 5 (PVC)	1	m		TO ORDER AS CUT GOODS
19	7.312-260.0	Washer 6 -100HV-A3E ISO 7094	1	PC		
20	5.731-652.0	Filter with weight	1	PC		
21	5.032-555.0	Guide	2	PC		
22	5.057-062.0	Support	2	PC		
23	6.343-168.0	Lock washer	2	PC		
24	7.303-046.0	Screw M6x12 -St-R3R (In6Rd)	2	PC		
25	7.311-088.0	Hexagon nut M10-8-A2K EN 1664	1	PC	(M10)	
26	5.107-248.0	Bar shearing shackle	2	PC		

20 PUMP SET

POS	Description	Quantity	Unit
21	Cylinder head	1	PC
22	Thrust guidance	1	PC

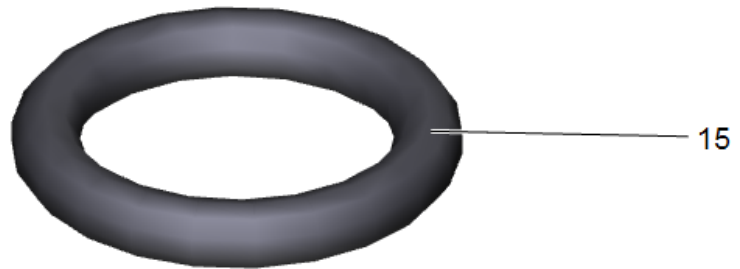
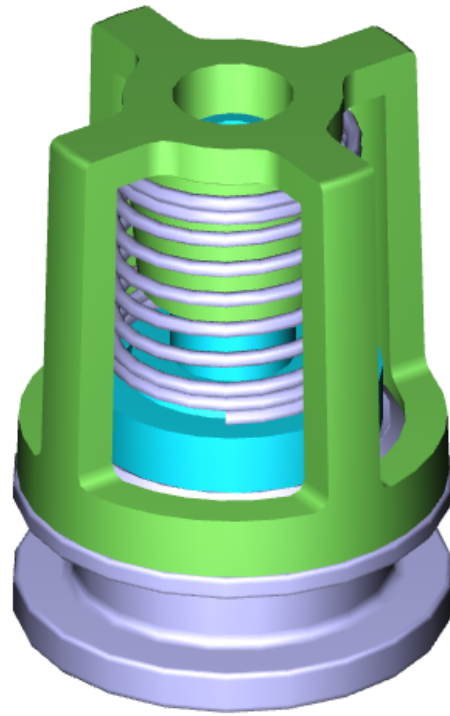


21 Cylinder head

POS	Article no.	Description	Quantity	Unit	Remark	Foot note text
1	7.306-105.0	Screw M6x30 -8.8-R3R (In6Rd)	4	PC		
2	6.414-252.0	Strainer	1	PC		
3	5.064-150.3	Suction cover for replacement	1	PC		
4	2.884-916.0	Valve (3 Stück)	2	PC		SET CONSITSTS OF 3X VALVE
5	5.116-093.0	Washer	3	PC		
6	5.112-726.0	Bush	3	PC		
7	6.362-376.0	O-Ring seal 24,0 X 1,5	3	PC		
8	5.115-721.0	Washer	3	PC		
9	5.550-302.3	Cylinder head	1	PC		
10	2.884-501.3	Spare part set control piston for replacement	1	PC		
11	4.132-007.0	Drain plug only for replacement	4	PC		
12	5.003-062.0	Plate	1	PC		
13	5.443-624.0	Nipple	1	PC		
14	6.362-113.0	O-Ring seal 6,0 x 2,0 NBR 70	1	PC		
15	7.401-908.0	Sphere 7 G300 -1.4301 DIN 5401	1	PC		
16	6.363-597.0	O-Ring seal 5,28 x 1,78	1	PC		
17	5.332-258.0	Helical spring	1	PC		
18	6.362-384.0	O-Ring seal 9x1,5 - NBR 70	1	PC		
19	6.363-613.0	O-Ring seal 4 x 2 -NBR90	1	PC		
20	4.584-022.0	Valve pin complete	1	PC		
21	4.769-034.0	Nozzle insert only for replacement	1	PC		
	Item text1: 1.514-101.0 /-103.0 /-104.0 /-105.0 / -106.0 /-109.0 /-110.0 /-111.0 /-112.0 /-113.0 /-123.0 /-124.0 / -127.0 /-151.0 /-204.0 /-205.0 /-206.0 /-207.0 /-255.0 /-503.0 /-507.0 /-508.0					
21	4.769-035.0	Nozzle insert	1	PC		
	Item text1: 1.514-201.0 /-203.0 /-251.0 /-252.0 /					
22	6.365-477.0	Grooved ring 12x20x5,3/2,8	6	PC		
23	6.362-533.0	O-Ring seal 14,0 X 1,5-NBR 70	3	PC		
24	4.591-038.3	Overflow valve for replacement	1	PC		
25	6.362-989.0	O-Ring seal 18x2 - NBR 80	1	PC	HD 5/12 C / HD 1.8/13 C Ed	
26	5.411-172.0	Screw plug	1	PC	HD 5/12 C / HD 1.8/13 C Ed	
27	5.110-630.0	Sleeve	1	PC	HD 5/14 C /HD 5/15 C /HD 6/13 C	
28	7.314-629.0	Grooved pin 2x10 -A1 ISO 8742	1	PC	HD 5/14 C /HD 5/15 C /HD 6/13 C	
29	5.583-147.0	Valve screw	1	PC	HD 5/14 C /HD 5/15 C /HD 6/13 C	

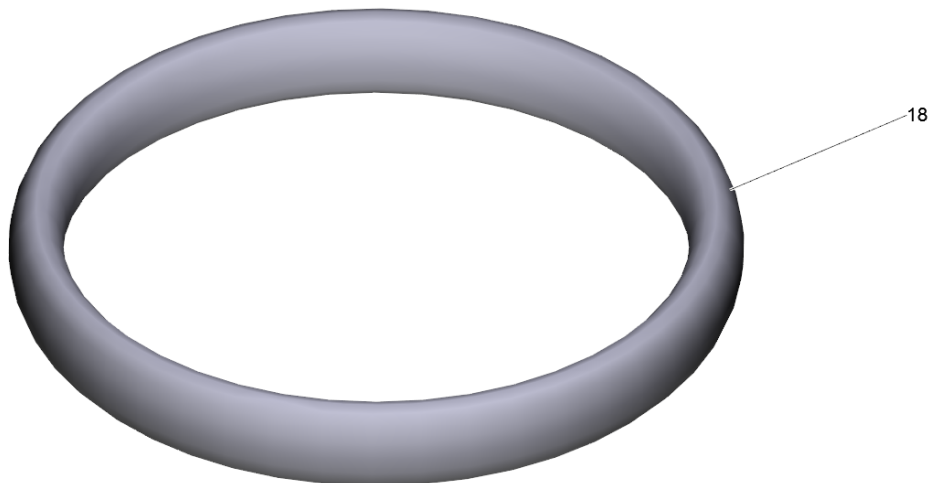
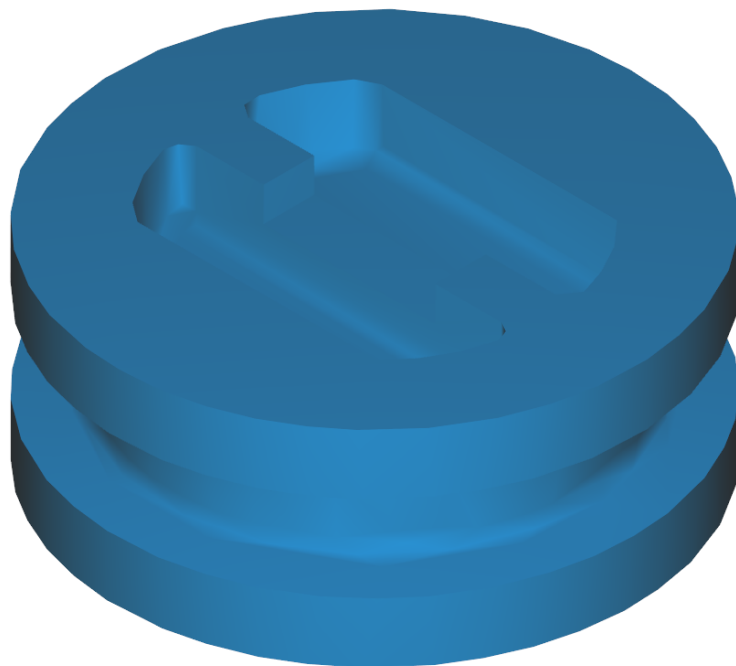
21 Cylinder head

POS	Article no.	Description	Quantity	Unit	Remark	Foot note text
30	6.362-468.0	O-Ring seal complete 1ST.-R.	1	PC	HD 5/14 C /HD 5/15 C /HD 6/13 C	
31	4.291-014.0	Spindle complete	1	PC	HD 5/14 C /HD 5/15 C /HD 6/13 C	
32	5.321-307.0	Handhold	1	PC	HD 5/14 C /HD 5/15 /HD 6/13 C	
33	4.744-168.0	Switch complete	1	PC		
	Item text1: /1.514-101.0 /-103.0 /-104.0 /-105.0 /-109.0 /-110.0 /-112.0 /-113.0 /-123.0 /124.0 /-127.0 /-151.0 /-201.0 /-203.0 /-204.0 /-205.0 /-206.0 / -207.0 /-251.0 / -252.0 /-255.0 /-503.0 /-507.0 /-508.0					
33	4.744-195.0	Switch complete	1	PC		
	Item text1: /1.514-106.0 / -111.0					
34	5.034-494.0	Retaining bracket	1	PC		
35	6.362-078.0	O-Ring seal 13,3x2,4	1	PC		
36	5.443-229.0	Hose stem	1	PC		
37	5.310-065.0	Nut	1	PC		
38	7.303-108.0	Screw 5x20 -10.9-R2R (In6Rd)	1	PC		
39	5.402-727.0	Suction nipple	1	PC		
40	5.064-230.0	Suction cover	1	PC		
41	7.306-129.0	Screw M6x40 -8.8-P2R (In6Rd)	4	PC		
42	5.365-284.0	Profile gasket	1	PC		
43	6.362-481.0	O-Ring seal 14,0 x 2,0 NBR 80	1	PC		
44	5.005-314.0	Plate suction cover	1	PC		
45	7.306-106.0	Cylinder head screw M8x70 -8.8-A2E ISO4	4	PC		
46	5.364-129.0	Flat gasket	2	PC		
47	4.401-074.0	Screw connector part	1	PC		
	Item text1: 1.514-106.0 /-111.0					
100	2.883-997.0	PUMP SET HD 5/12 C	1	PC		



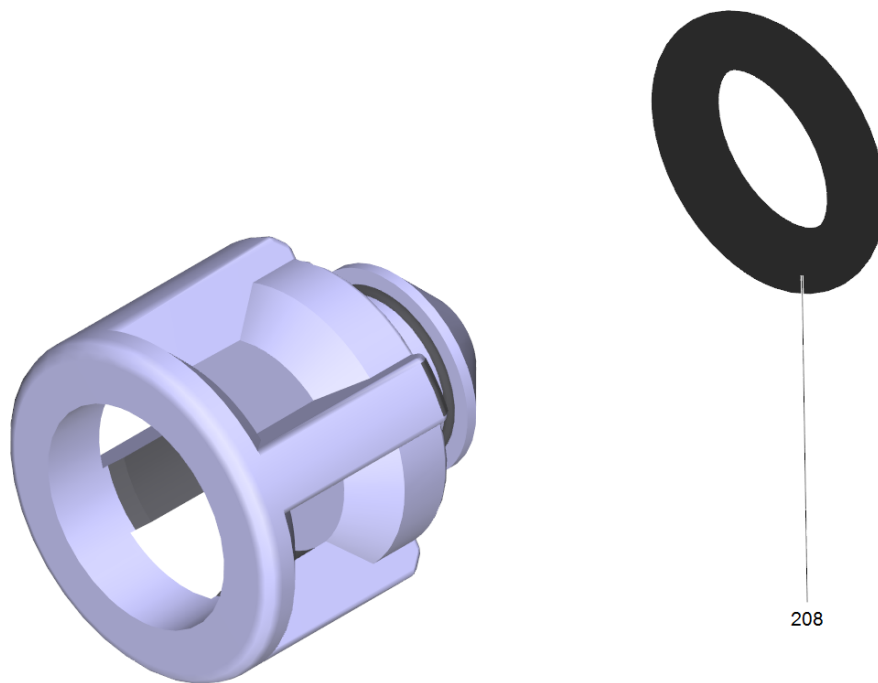
4 Valve (3 Stück) (2.884-916.0)

POS	Article no.	Description	Quantity	Unit
15	6.362-077.0	O-Ring seal 10 x 2,2 NBR 70	3	PC



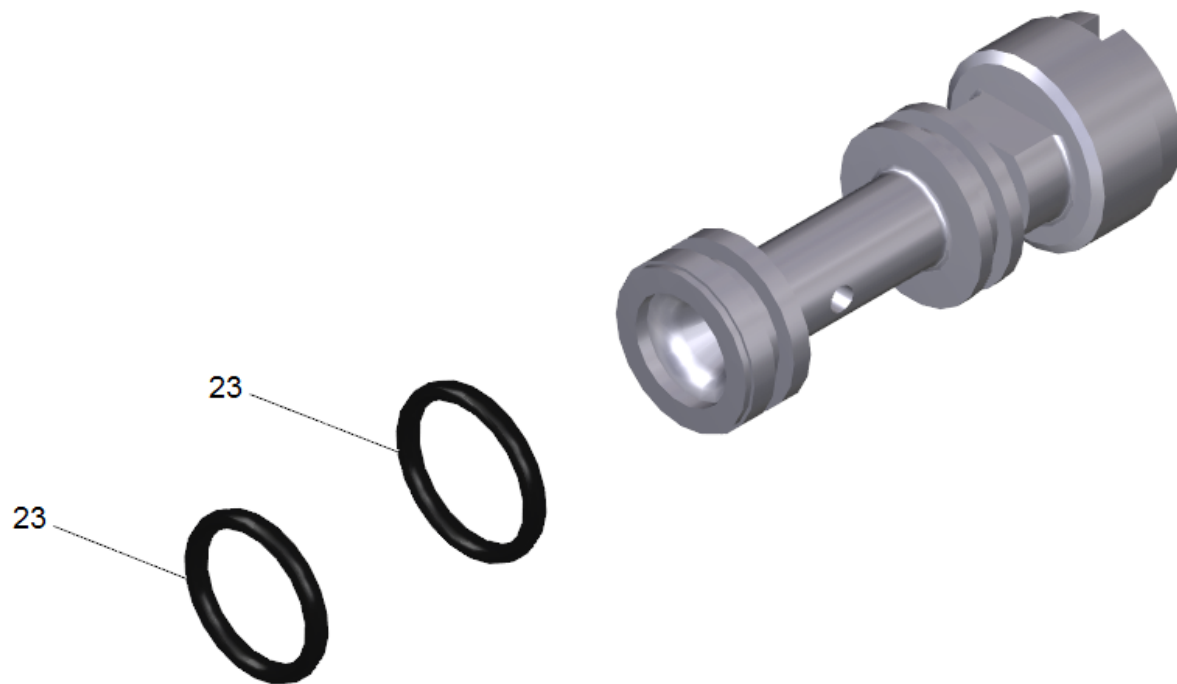
11 Drain plug only for replacement (4.132-007.0)

POS	Article no.	Description	Quantity	Unit
18	6.362-458.0	O-Ring seal 11,0x2,0-NBR 70	1	PC



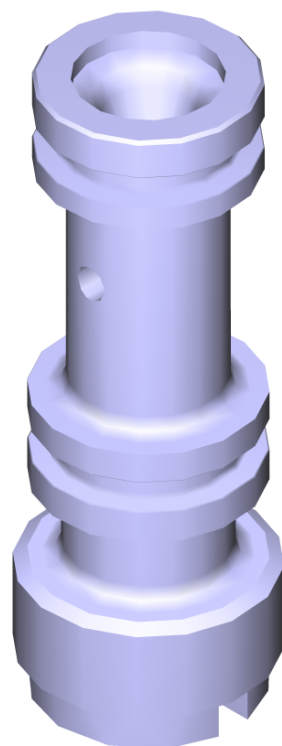
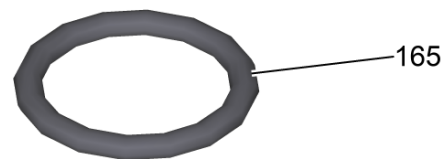
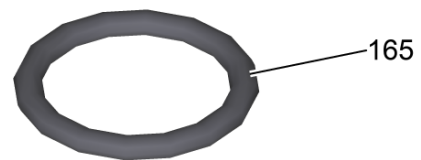
20 Valve pin complete (4.584-022.0)

POS	Article no.	Description	Quantity	Unit
208	6.363-613.0	O-Ring seal 4 x 2 -NBR90	1	PC



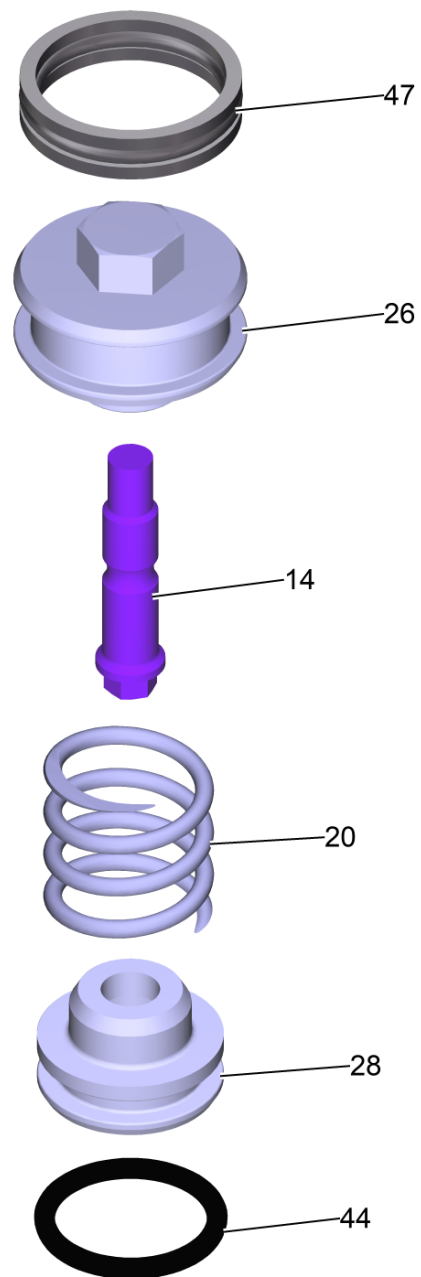
21 Nozzle insert only for replacement (4.769-034.0)

POS	Article no.	Description	Quantity	Unit
23	6.362-384.0	O-Ring seal 9x1,5 - NBR 70	2	PC



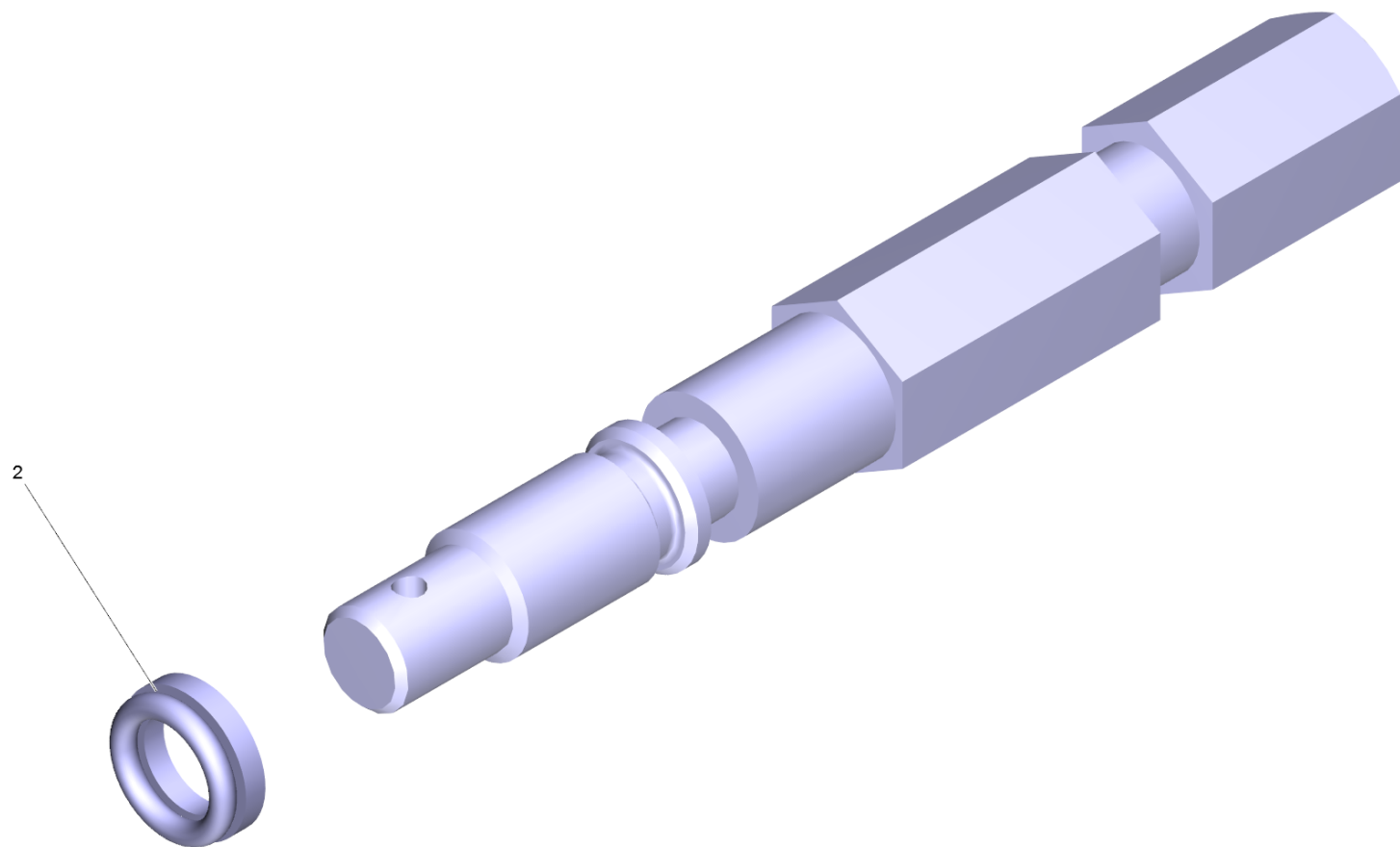
21 Nozzle insert (4.769-035.0)

POS	Article no.	Description	Quantity	Unit
165	6.362-384.0	O-Ring seal 9x1,5 - NBR 70	2	PC



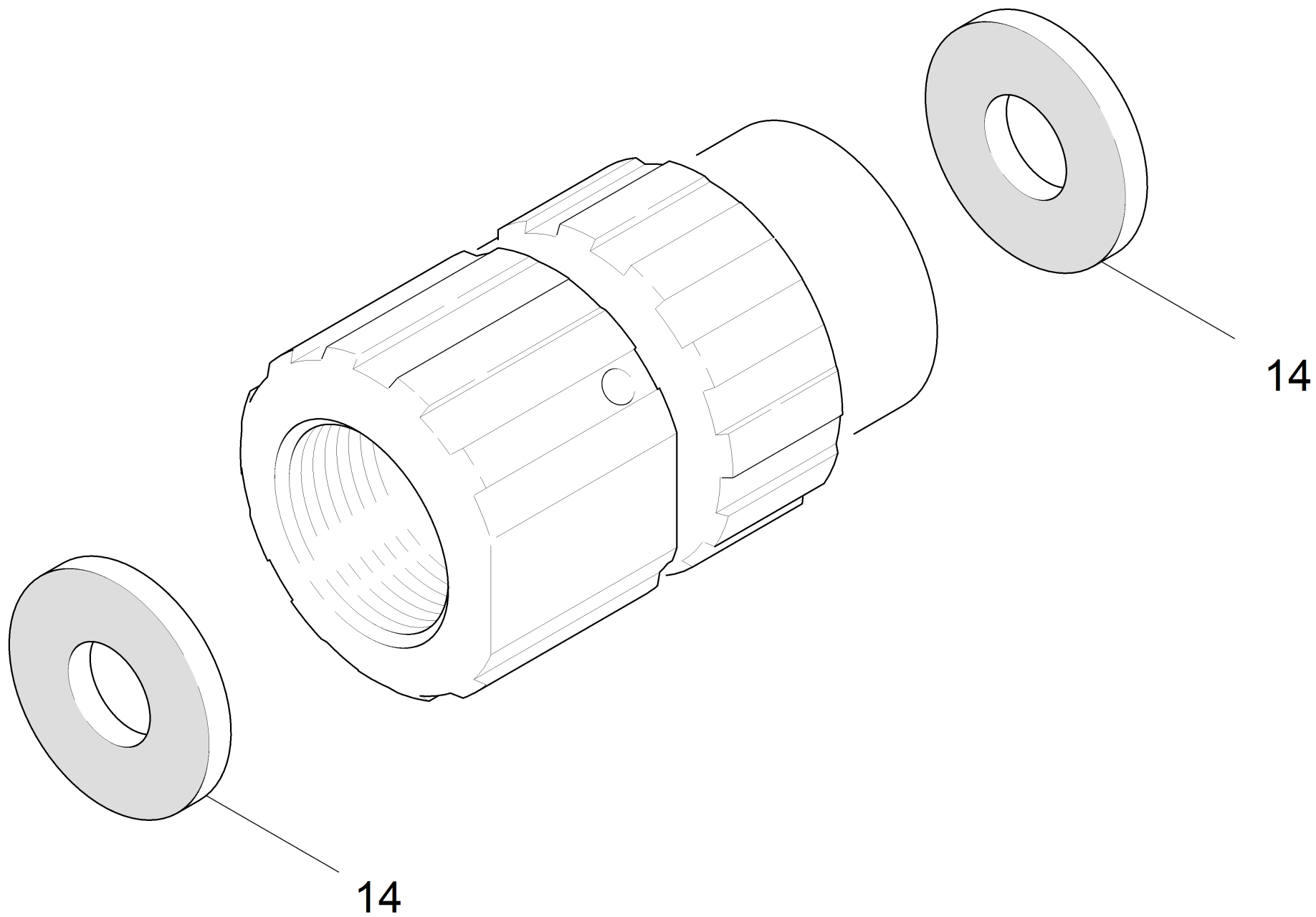
24 Overflow valve for replacement (4.591-038.3)

POS	Article no.	Description	Quantity	Unit
14	5.305-264.0	Shaped screw	1	PC
20	5.332-425.0	Helical spring	1	PC
26	5.553-390.0	Piston	1	PC
28	5.581-230.0	Valve seat	1	PC
44	6.362-169.0	O-Ring seal 12,0 X 2,0	1	PC
47	6.362-454.0	O-Ring seal complete 2ST.-R.	1	PC



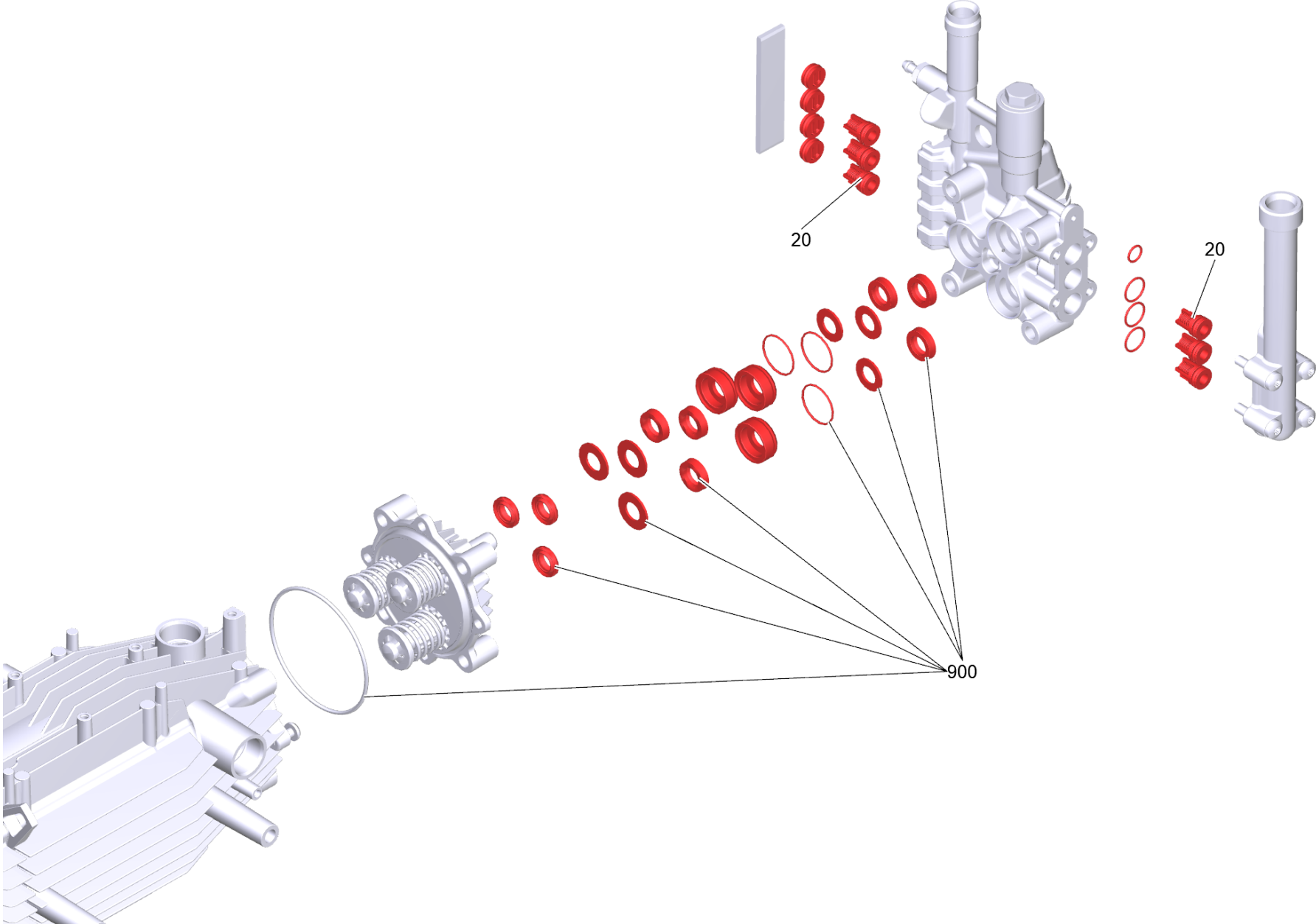
31 Spindle complete (4.291-014.0)

POS	Article no.	Description	Quantity	Unit
2	6.362-468.0	O-Ring seal complete 1ST.-R.	1	PC



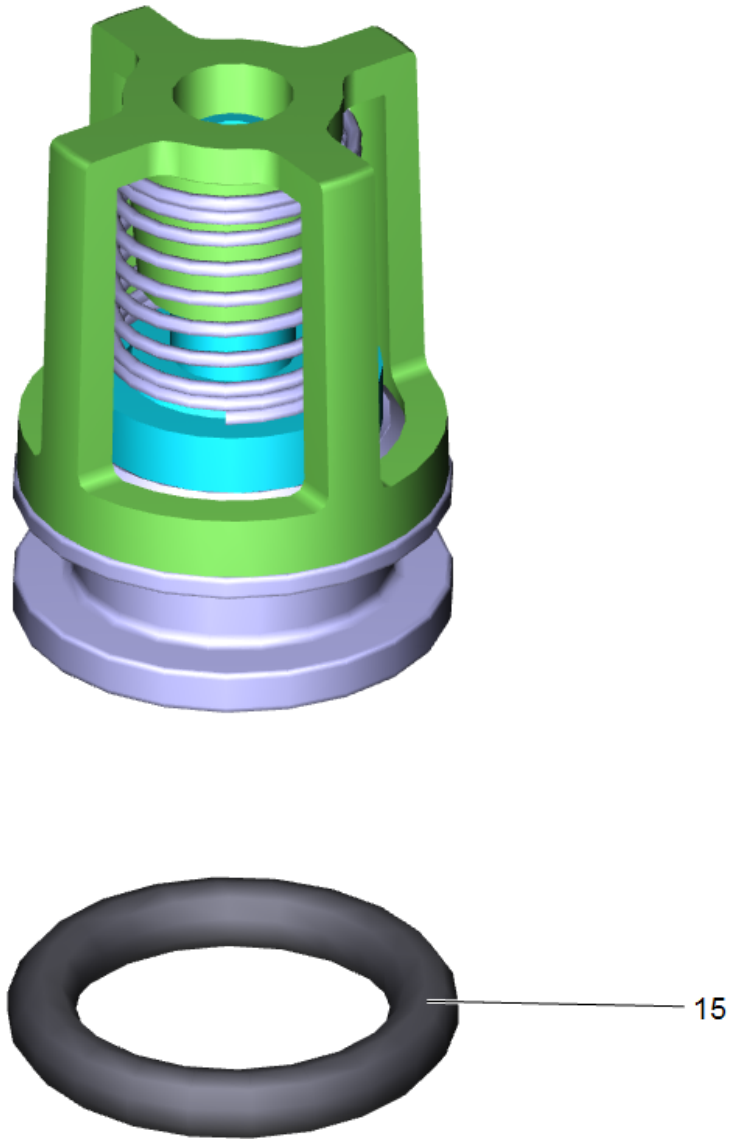
47 Screw connector part (4.401-074.0)

POS	Article no.	Description	Quantity	Unit
14	5.364-129.0	Flat gasket	2	PC



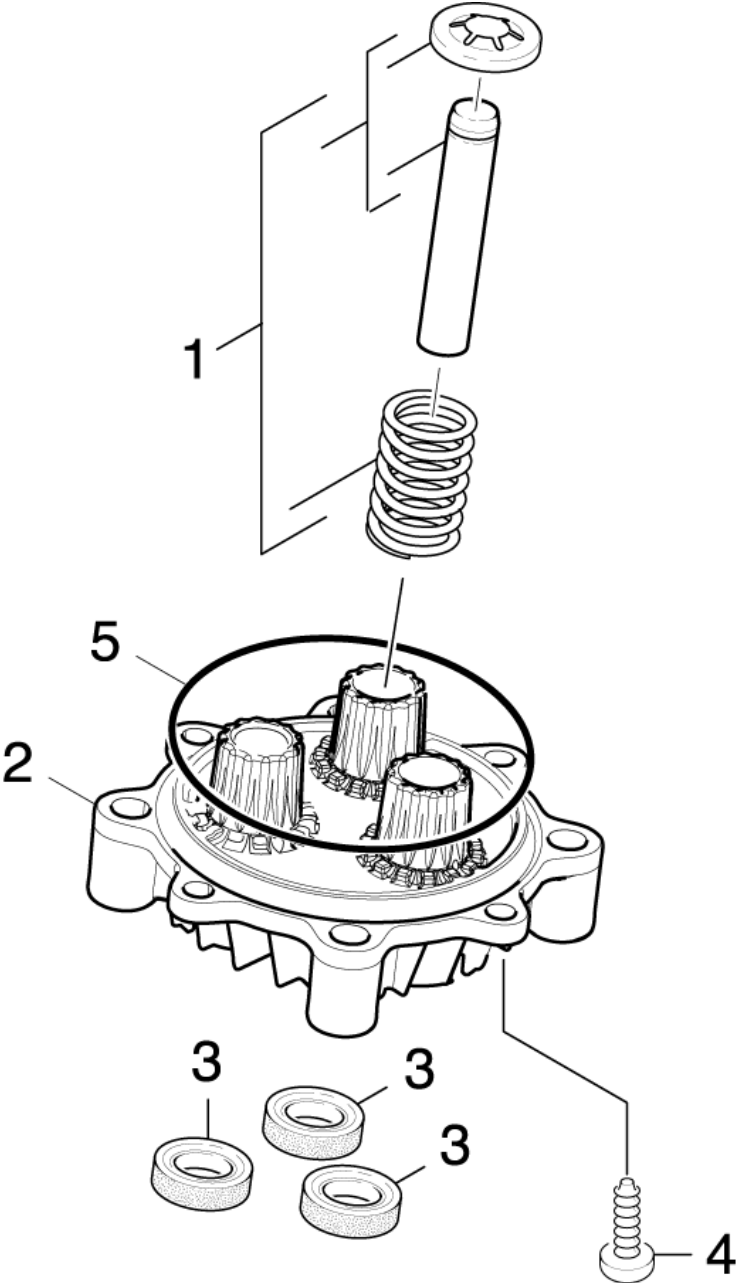
100 PUMP SET HD 5/12 C (2.883-997.0)

POS	Article no.	Description	Quantity	Unit
20	2.884-916.0	Valve (3 Stück)	2	PC
60	6.288-072.0	Silicon grease	1	PC
900	4.100-773.0	Set of gaskets	1	PC



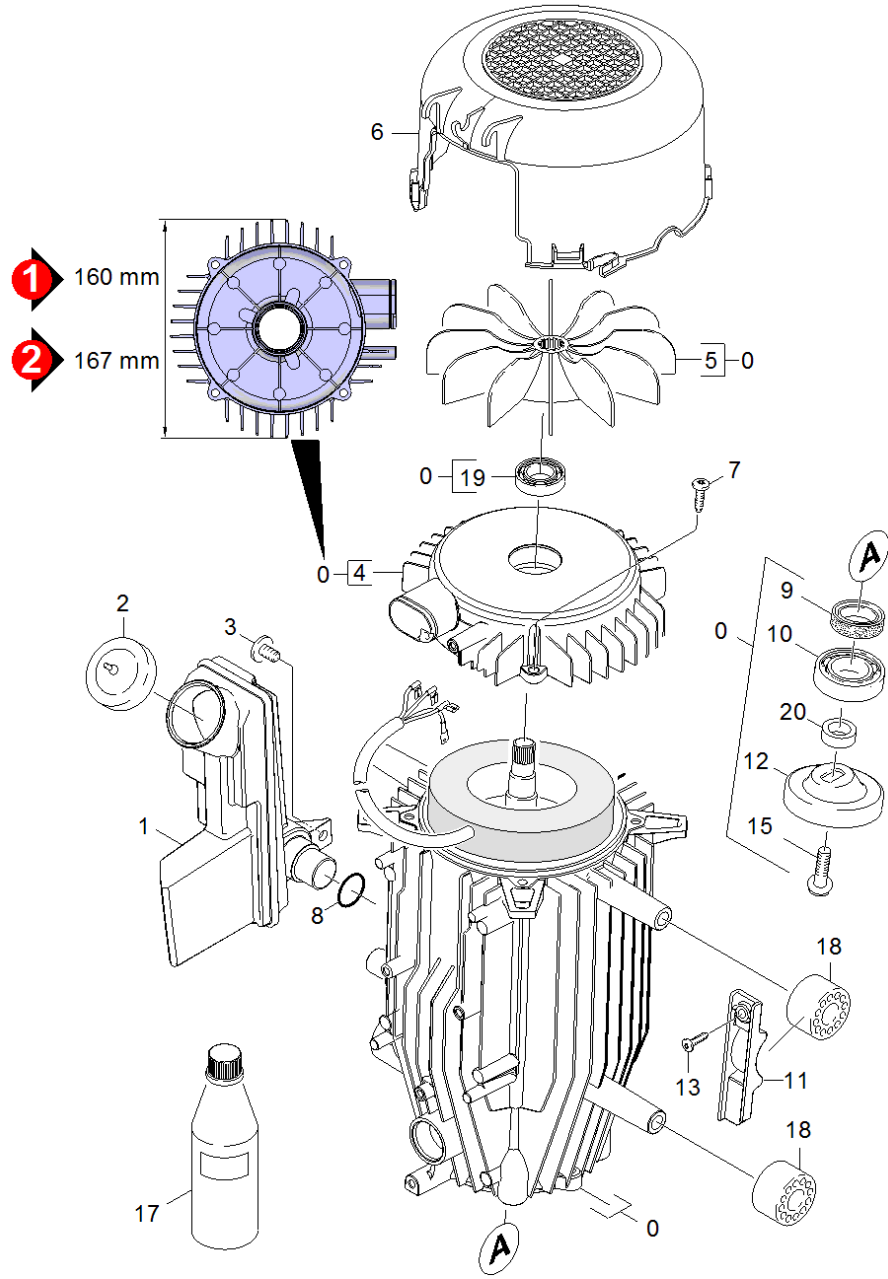
20 Valve (3 Stück) (2.884-916.0)

POS	Article no.	Description	Quantity	Unit
15	6.362-077.0	O-Ring seal 10 x 2,2 NBR 70	3	PC



22 Thrust guidance

POS	Article no.	Description	Quantity	Unit
1	4.553-230.3	Piston complete for replacement Item text1: / 1.514-101.0 /-103.0 /-104.0 /-105.0 /-112.0 /-113.0 /-123.0 /-124.0 /-151.0 /-503.0 /-507.0 /-508.0	3	PC
1	4.553-230.3	Piston complete for replacement Item text1: 1.514-109.0	3	PC
1	4.553-231.0	Piston complete only for replacement Item text1: / 1.514-201.0 / -203.0 / -204.0 Item text2: / -251.0 / -252.0 / -255.0	3	PC
1	4.553-237.0	Piston D12 *CDN Item text1: / 1.514-106.0 / -111.0	3	PC
1	4.553-273.0	Piston complete only for replacement Item text1: / 1.514-205.0 /-206.0 /-207.0	3	PC
1	4.553-302.0	Piston complete only for replacement Item text1: 1.514-110.0 /-127.0	3	PC
2	5.061-018.3	Thrust guidance	1	PC
3	6.365-001.0	Grooved ring 12x20x4/6	3	PC
4	7.303-047.0	Screw M6x16 -St-R3R (In6Rd)	2	PC
5	6.363-077.0	O-Ring seal 75x3	1	PC

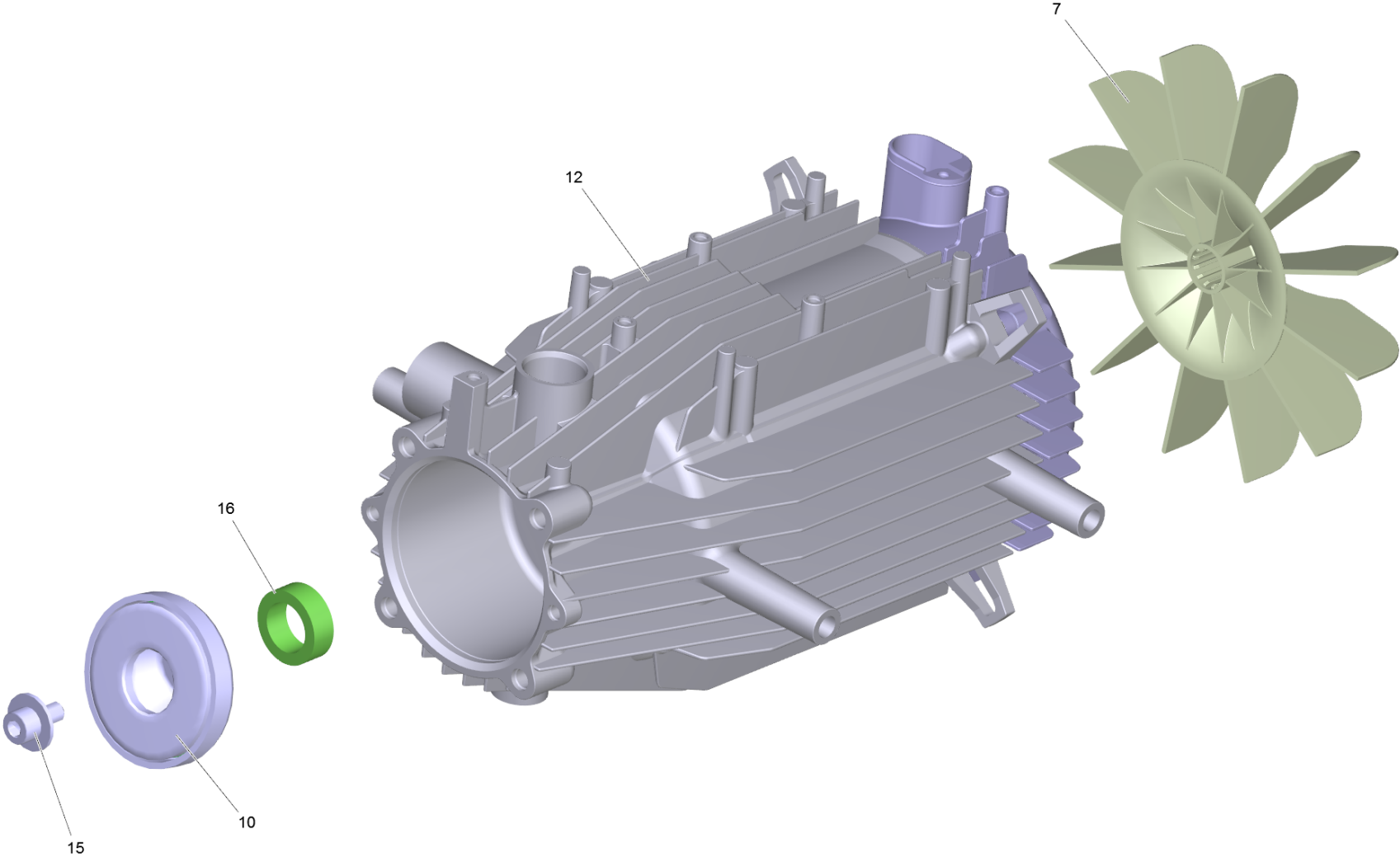


30 Motor

POS	Article no.	Description	Quantity	Unit	Foot note text
0	4.623-615.3	Motor complete	1	PC	VERSION 1
		Item text1: 1.514-101.0 / -103.0 / -104.0 / -105.0			
		Item text2: / -151.0			
0	4.624-012.0	Motor complete only for replacement	1	PC	VERSION 1
		Item text1: 1.514-123.0 /-124.0 /-508.0			
0	4.624-095.3	Motor complete only for replacement	1	PC	VERSION 2
		Item text1: 1.514-123.0 /-124.0 /-508.0			
0	4.623-618.0	Motor complete	1	PC	VERSION 1
		Item text1: 1.514-109.0 / -201.0 / -203.0 / -204.0			
		Item text2: / -251.0 / -252.0 / -255.0			
0	4.624-091.0	Motor complete only for replacement	1	PC	VERSION 2
		Item text1: 1.514-101.0 /-103.0 /-104.0 /-105.0 /			
		Item text2: -151.0			
0	4.624-093.0	Motor complete only for replacement	1	PC	VERSION 2
		Item text1: 1.514-201.0 /-203.0 /-251.0 /-252.0			
0	4.623-815.0	Motor complete	1	PC	
		Item text1: 1.514-112.0 /-113.0 /-503.0 /-507.0 /			
0	4.623-684.0	Motor complete only for replacement	1	PC	
		Item text1: / 1.514-205.0 /-206.0 /-207.0			
0	4.623-680.0	Motor complete only for replacement	1	PC	
		Item text1: / 1.514-106.0 / -111.0			
0	4.623-669.0	Motor complete only for replacement	1	PC	
		Item text1: 1.514-110.0 /-127.0			
1	5.070-639.0	Tank oil	1	PC	
2	5.064-457.0	Cover plate qusty grey oil	1	PC	
3	6.303-153.0	Screw M5x15-ST-R2R (IN6RD)	1	PC	
4	5.094-127.0	Bearing cover B	1	PC	VERSION 1
4	5.094-148.0	Bearing cover B	1	PC	VERSION 2
5	5.600-060.3	Blower wheel for replacement	1	PC	
6	5.692-081.0	Air circulation	1	PC	
7	6.303-320.0	Screw M 5x 20-St-R2R	4	PC	
8	6.362-161.0	O-Ring seal 19,3 X 2,4	1	PC	
9	7.367-001.0	Radial shaft seal ring A24x37x7 -NBR DI	1	PC	

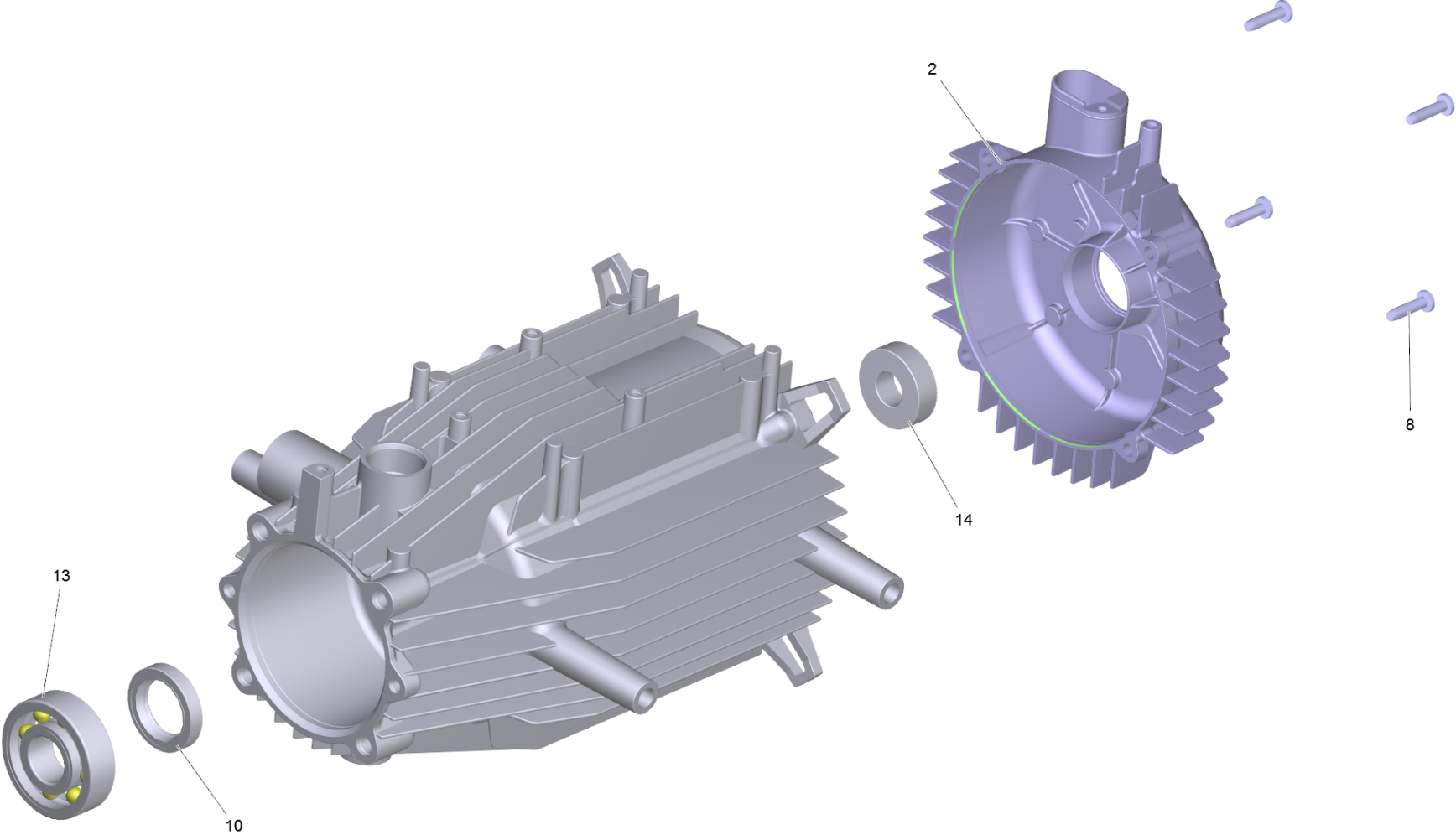
30 Motor

POS	Article no.	Description	Quantity	Unit	Foot note text
10	6.401-427.3	Angular contact ball bearing	1	PC	
	Item text1: 1.514-123.0 /-124.0 /-508.0				
10	6.401-437.3	Ball bearing	1	PC	
	Item text1: 1.514-101.0 /-103.0 /-104.0 /-105.0 /-106.0 /-109.0 /-110.0 /-111.0 /-112.0 /-113.0 /-127.0 /-151.0 /-201.0 /-203.0 /-204.0 /-205.0 /-206.0 /-207.0 /-251.0 /-252.0 /-255.0 /-503.0 /-507.0				
11	5.802-288.0	Mounting part	2	PC	
12	6.401-196.0	Wobble plate	1	PC	
	Item text1: / 1.514-106.0 / -111.0				
12	6.401-289.3	Wobble plate	1	PC	
	Item text1: / 1.514-205.0 /-206.0 /-207.0				
12	6.401-289.3	Wobble plate	1	PC	
	Item text1: 1.514-101.0 /-103.0 /-104.0 /-105.0 /-109.0 /-112.0 /-113.0 /-123.0 /-124.0 /-151.0/-503.0 /-507.0 /-508.0 /				
12	6.401-291.0	Wobble plate	1	PC	
	Item text1: 1.514-110.0 /-127.0				
12	6.401-395.0	Wobble plate	1	PC	
	Item text1: 1.514-201.0 / -203.0 / -204.0 / -251.0 /				
	Item text2: -252.0 / -255.0				
13	7.303-108.0	Screw 5x20 -10.9-R2R (In6Rd)	2	PC	
15	9.086-169.0	Wobble plate screw M8x16	1	PC	
17	6.288-050.0	Engine oil 1L	1	PC	
18	5.767-005.0	Rubber buffer	4	PC	
19	4.401-198.0	Ball bearing 6202-2RS -Wälzl.St DIN 625	1	PC	
20	5.116-144.0	Washer	1	PC	VERSION 2
	Item text1: 1.514-101.0 /-103.0 /-104.0 /-105.0 / -123.0 /-124.0 /-144.0 /-151.0 /-201.0 /-203.0 /-251.0 /-252.0 /-508.0				



Motor complete only for replacement (4.624-095.3)

POS	Article no.	Description	Quantity	Unit
7	5.600-060.3	Blower wheel for replacement	1	PC
10	6.401-289.3	Wobble plate	1	PC
12		Motor complete	1	PC
15	9.086-169.0	Wobble plate screw M8x16	1	PC
16	5.116-144.0	Washer	1	PC

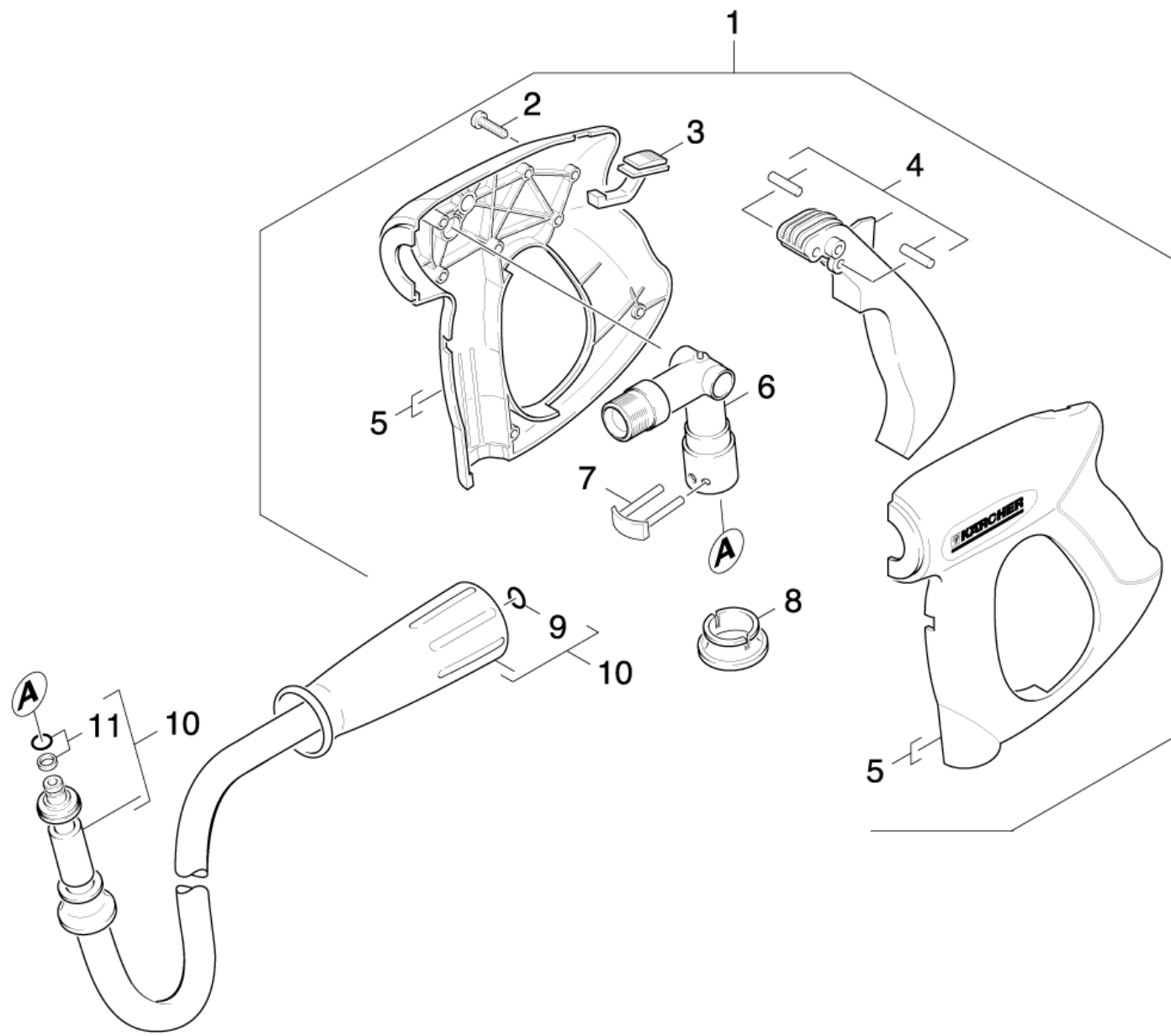


12 Motor complete

POS	Article no.	Description	Quantity	Unit
2	5.094-148.0	Bearing cover B	1	PC
8	6.303-320.0	Screw M 5x 20-St-R2R	4	PC
10	7.367-001.0	Radial shaft seal ring A24x37x7 -NBR DI	1	PC
13	6.401-427.3	Angular contact ball bearing	1	PC
14	4.401-198.0	Ball bearing 6202-2RS -Wälzl.St DIN 625	1	PC

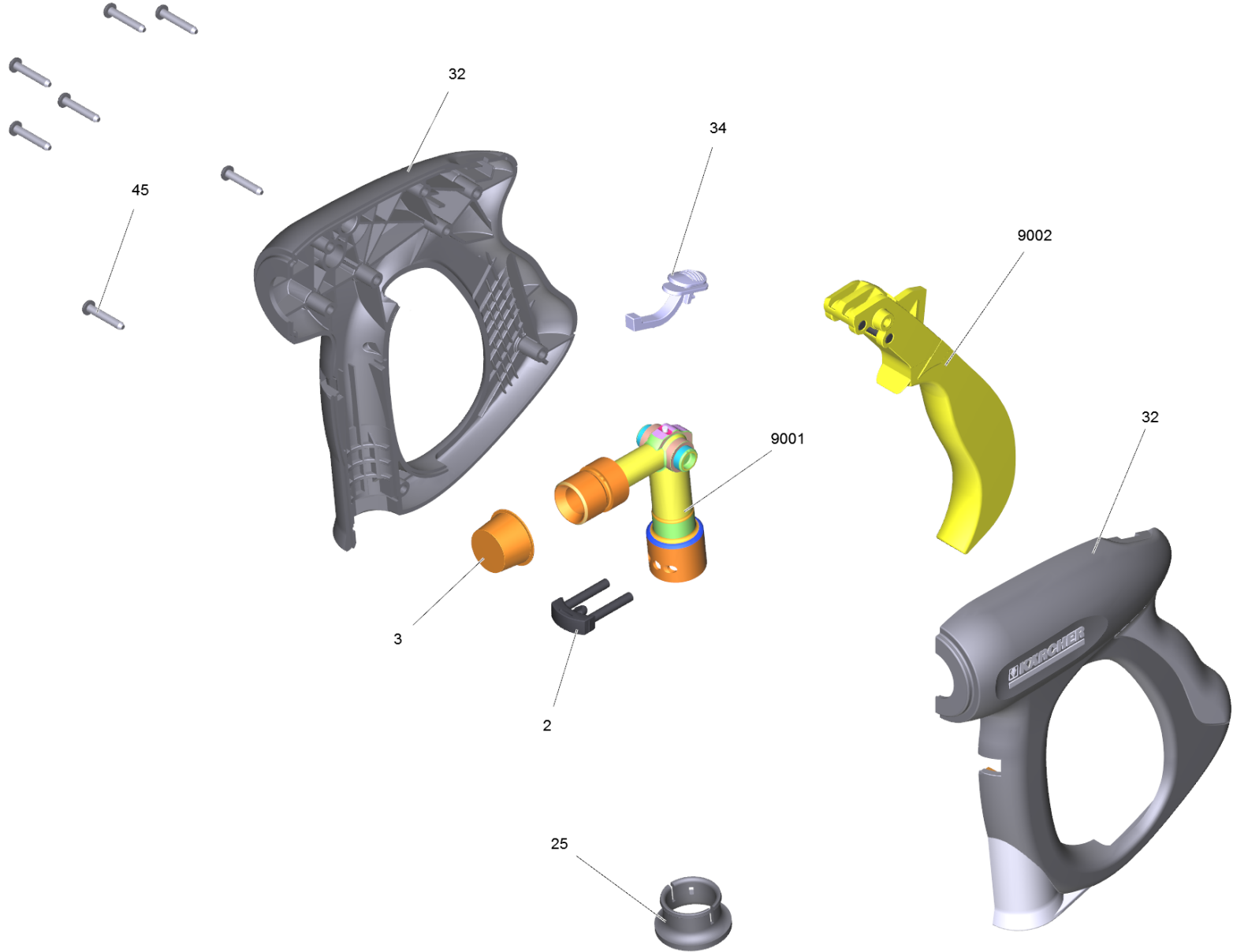
40 Accessories

POS	Description	Quantity	Unit	Remark
41	Hand trigger gun	1	PC	VERSION 1
42	Hand trigger gun	1	PC	VERSION 2
43	Hand trigger gun	1	PC	VERSION 3
44	Jet pipe	1	PC	
45	Jet pipe	1	PC	
46	Nozzle	1	PC	VERSION 1
47	Nozzle	1	PC	VERSION 2



41 Hand trigger gun

POS	Article no.	Description	Quantity	Unit
1	4.775-463.0	HAND TRIGGER GUN EASY PRESS	1	PC
2	7.303-096.0	Screw 4x22-ST-10.9-R2R (IN6RD)	7	PC
3	5.481-331.0	Slider	1	PC
4	4.481-209.3	Lever complete for replacement	1	PC
5	5.321-669.3	Handhold few	1	PC
6	4.427-215.3	Manifold cpl. only for replacement	1	PC
7	4.037-013.0	Hook	1	PC
8	5.110-596.0	Sleeve	1	PC
9	2.880-990.0	Spare part set O-Ring 5x -Kaercher	1	PC
10	6.390-025.0	Hose assembly DN8 max.31,5MPa 10m	1	PC
11	4.363-691.0	O-Ring seal kpl. -nur fuer Ersatz-	1	PC

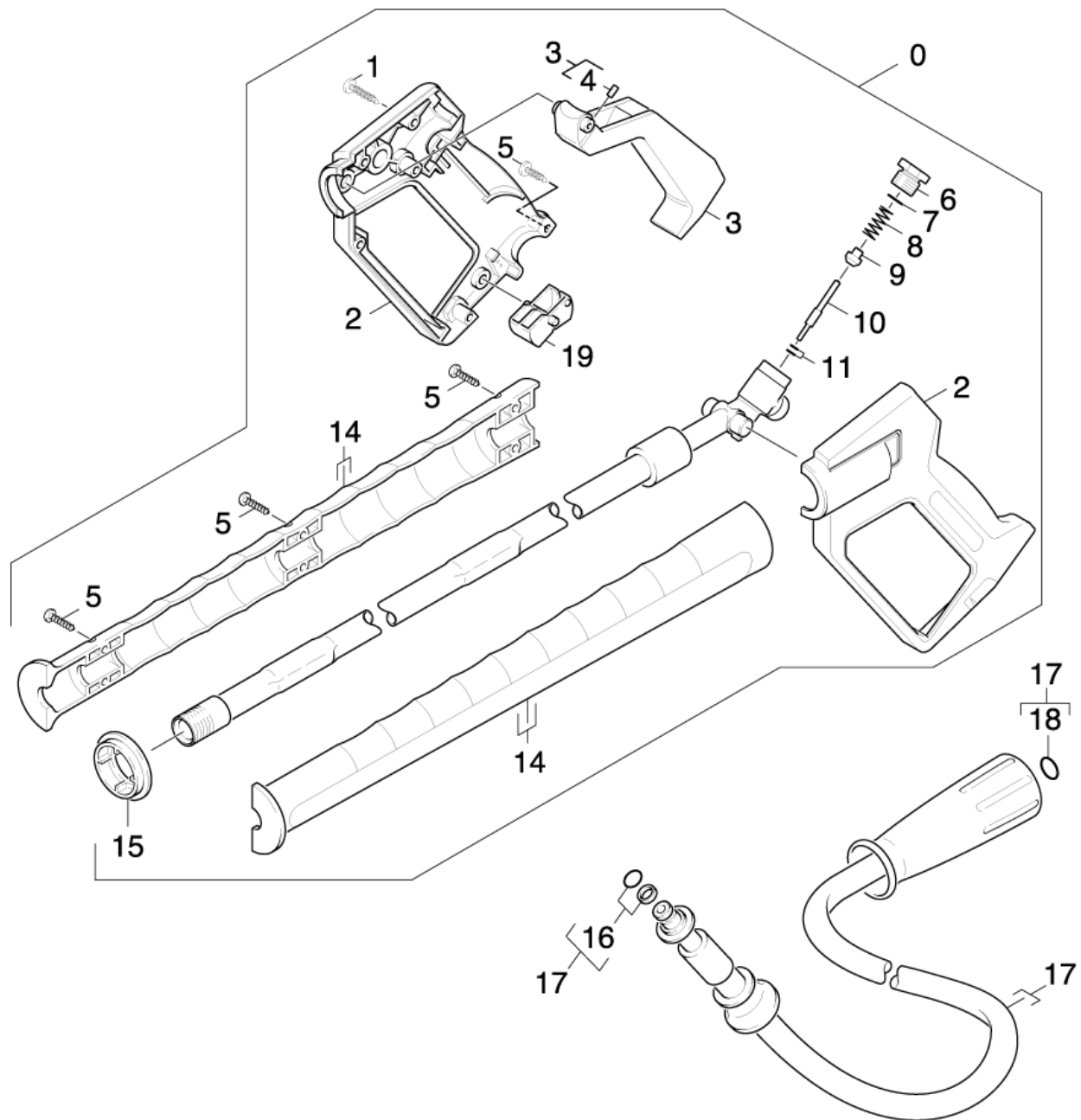


1 HAND TRIGGER GUN EASY PRESS (4.775-463.0)

POS	Article no.	Description	Quantity	Unit
2	4.037-013.0	Hook	1	PC
3	6.368-012.0	Protecting cap 22X1,5	1	PC
4	7.777-999.0	Stockpiling discontinued	1	PC
25	5.110-596.0	Sleeve	1	PC
32	5.321-669.3	Handhold few	1	PC
34	5.481-331.0	Slider	1	PC
45	7.303-096.0	Screw 4x22-ST-10.9-R2R (IN6RD)	7	PC
1041	6.288-044.0	Silicon grease 100 G	1	PC
9001	4.427-215.3	Manifold cpl. only for replacement	1	PC
9002	4.481-209.3	Lever complete for replacement	1	PC

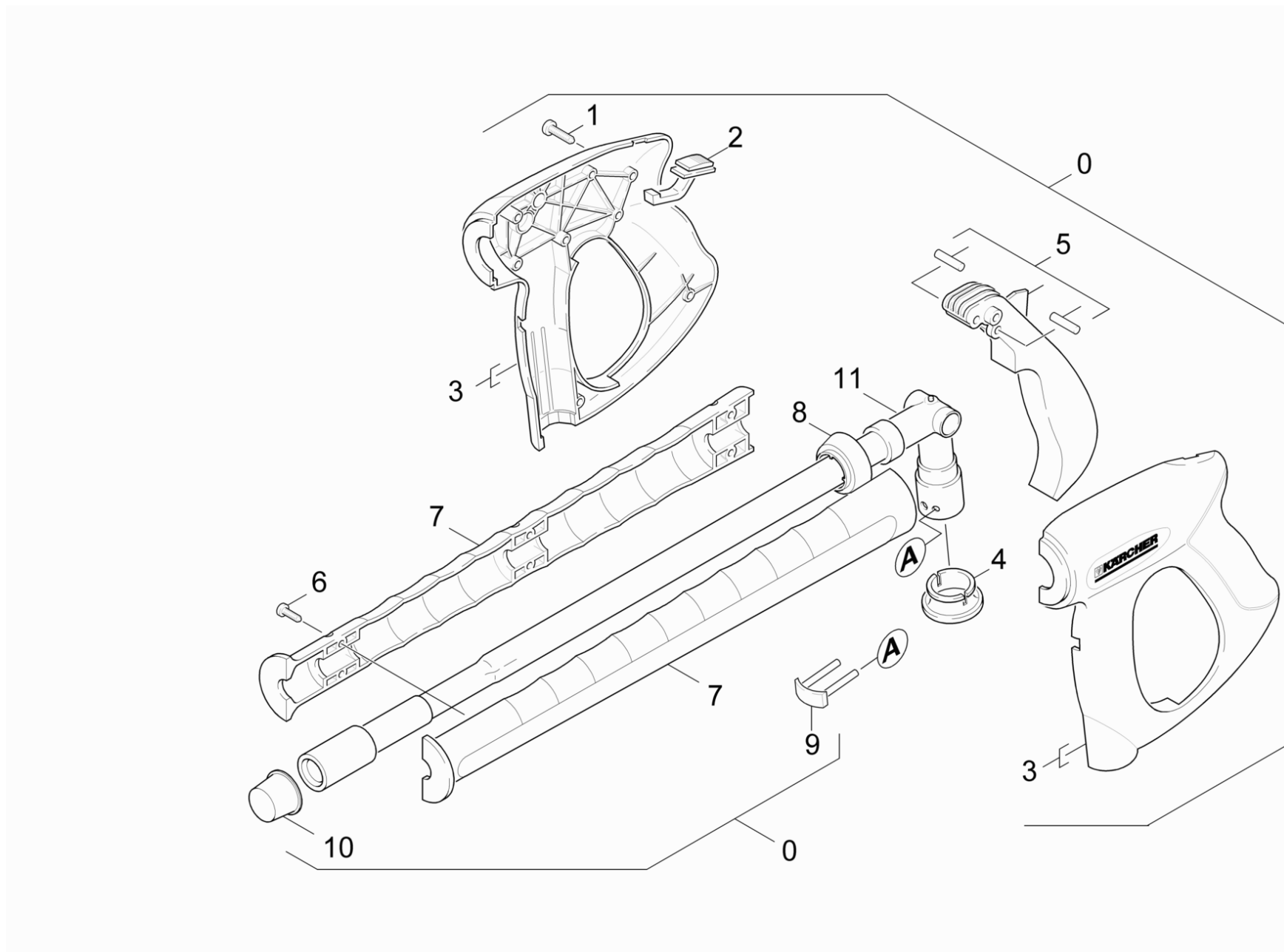
10 Hose assembly DN8 max.31,5MPa 10m (6.390-025.0)

POS	Article no.	Description	Quantity	Unit
10	5.110-673.0	Sleeve for DN 8	1	PC



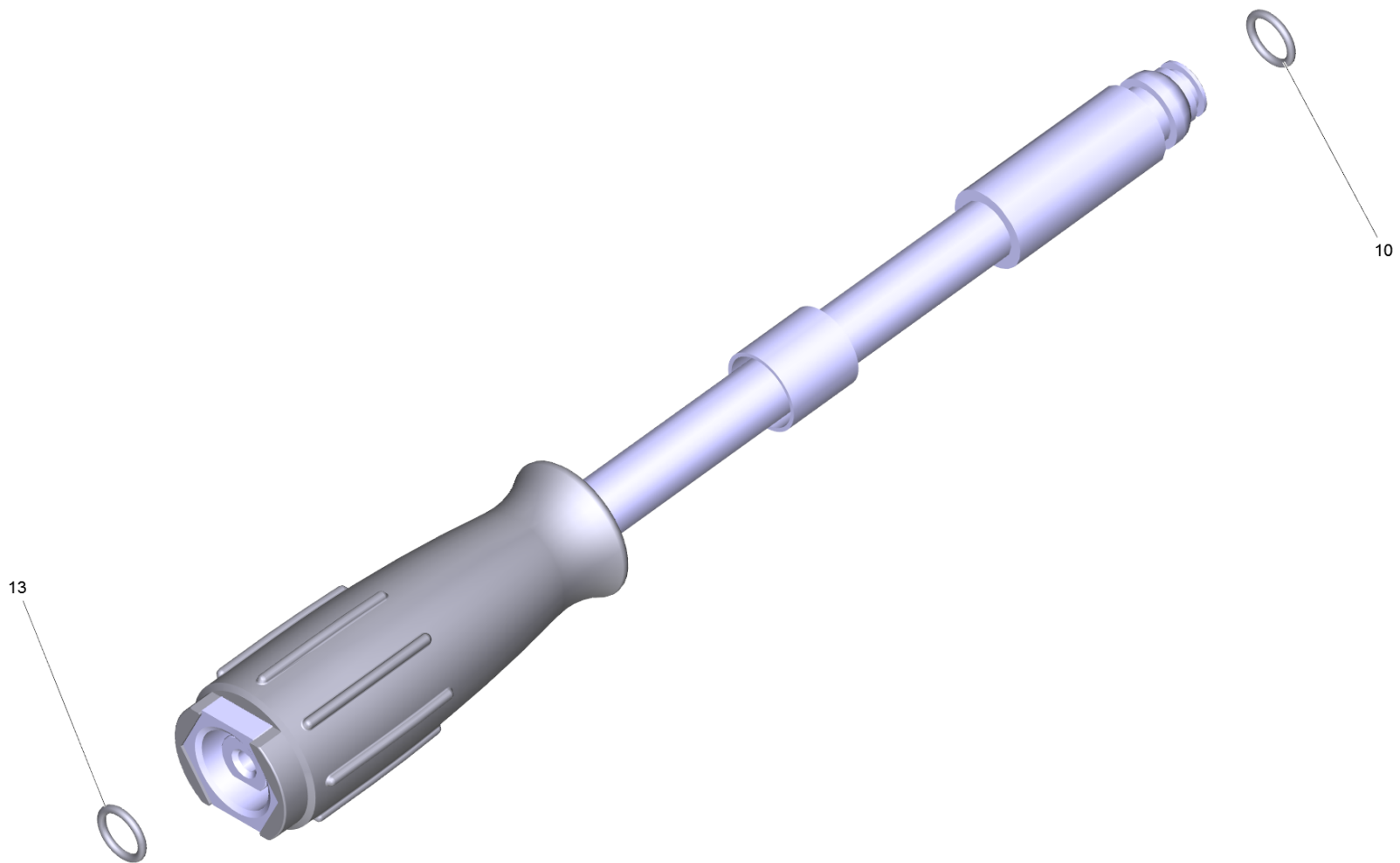
42 Hand trigger gun

POS	Article no.	Description	Quantity	Unit
0	4.775-492.0	Hand trigger gun	1	PC
1	7.303-096.0	Screw 4x22-ST-10.9-R2R (IN6RD)	6	PC
2	5.321-206.0	Handhold few	1	PC
3	4.481-050.0	Lever	1	PC
4	7.307-417.0	Threaded pin M8x16 -45H-A2E ISO 4026	1	PC
5	7.303-129.0	Screw 4x16-10.9-R2R (K-In6Rd)	7	PC
6	5.411-067.0	Screw plug	1	PC
7	6.362-584.0	O-Ring seal 12,42X 1,78	1	PC
8	5.332-157.0	Helical spring	1	PC
9	5.582-058.0	Valve disc	1	PC
10	5.107-259.0	Bar	1	PC
11	4.880-069.0	Spare part O-ring kit	1	PC
14	5.322-083.3	Handhold few extended Low End	1	PC
15	5.031-259.0	Moulded part	1	PC
16	6.363-115.0	O-Ring seal complete 1ST.-R.	1	PC
17	6.391-238.0	Hose assembly standard DN6 25MPa 10m	1	PC
18	2.880-990.0	Spare part set O-Ring 5x -Kaercher	1	PC
19	5.481-052.0	Lever	1	PC



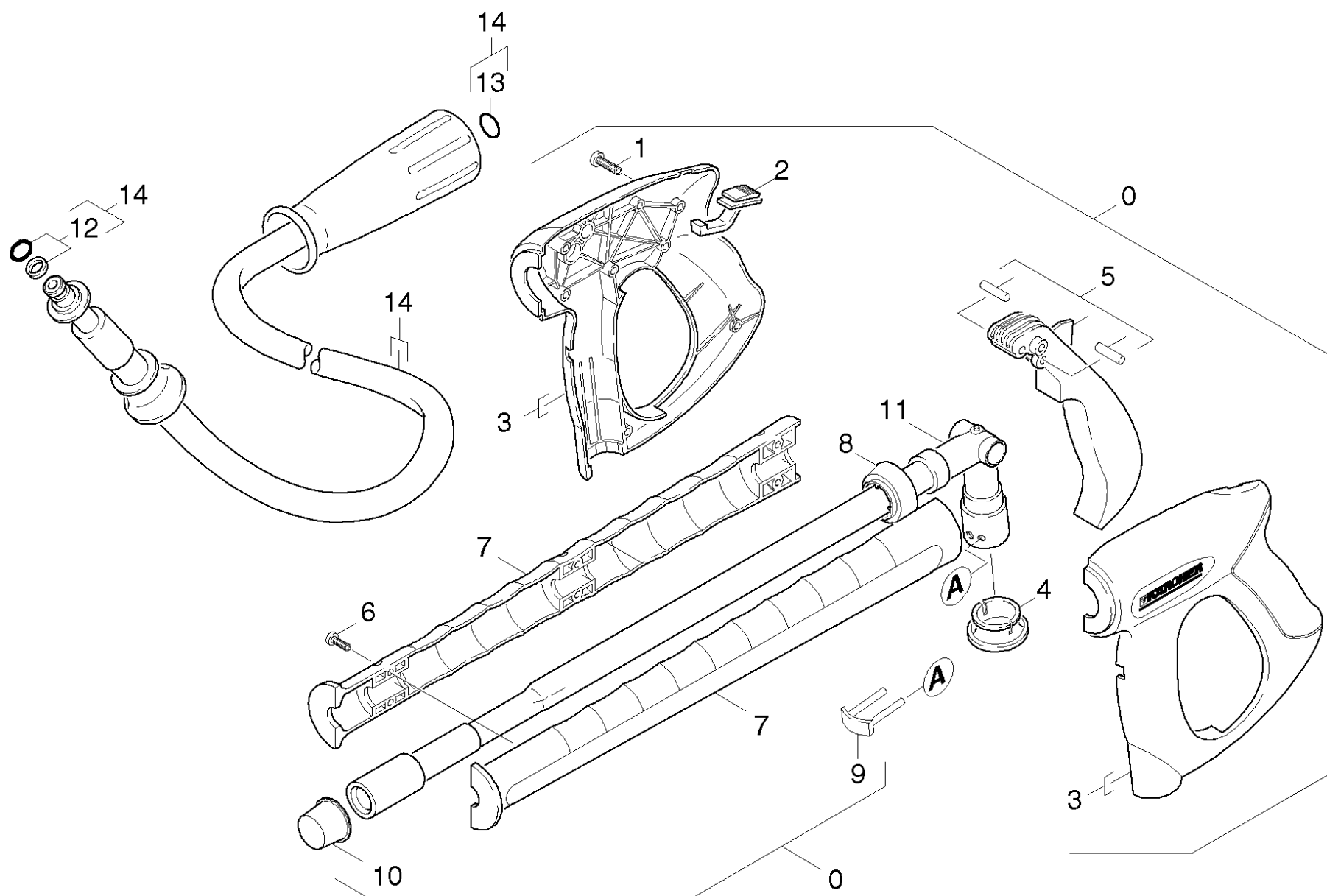
Hand trigger gun (4.775-492.0)

POS	Article no.	Description	Quantity	Unit
0	4.775-529.0	Trigger gun	1	PC
1	7.303-096.0	Screw 4x22-ST-10.9-R2R (IN6RD)	7	PC
2	5.481-331.0	Slider	1	PC
3	5.322-082.3	Handhold few hand trigger gun Low End	1	PC
4	5.110-596.0	Sleeve	1	PC
5	4.481-209.3	Lever complete for replacement	1	PC
6	7.303-129.0	Screw 4x16-10.9-R2R (K-In6Rd)	6	PC
7	5.322-083.3	Handhold few extended Low End	1	PC
8	5.032-801.0	Moulded part	1	PC
9	4.037-013.0	Hook	1	PC
10	6.368-012.0	Protecting cap 22X1,5	1	PC
11	4.427-363.0	Manifold complete only for replacement L	1	PC



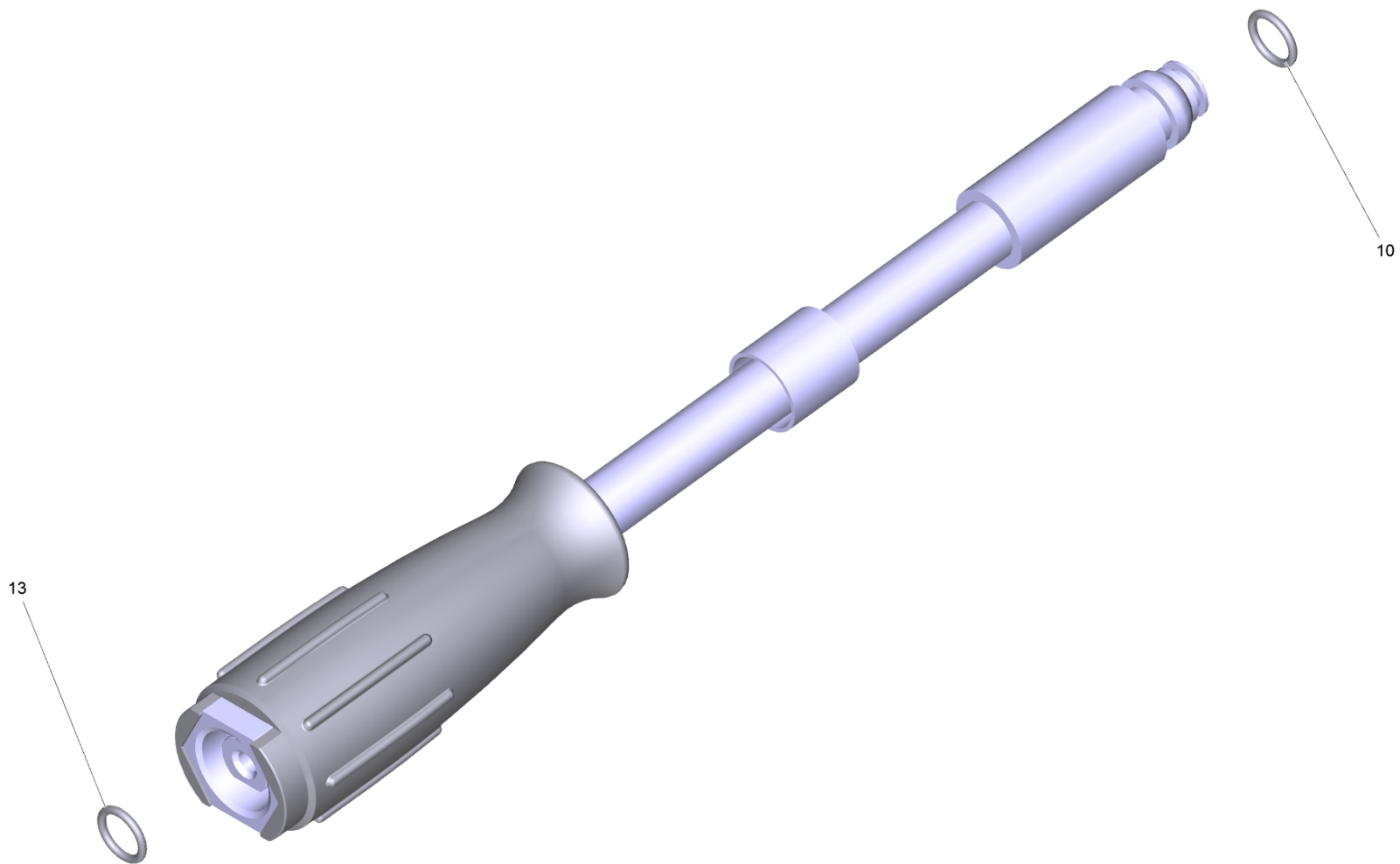
17 Hose assembly standard DN6 25MPa 10m (6.391-238.0)

POS	Article no.	Description	Quantity	Unit
10	4.363-691.0	O-Ring seal kpl. -nur fuer Ersatz-	1	PC
13	2.880-990.0	Spare part set O-Ring 5x -Kaercher	1	PC



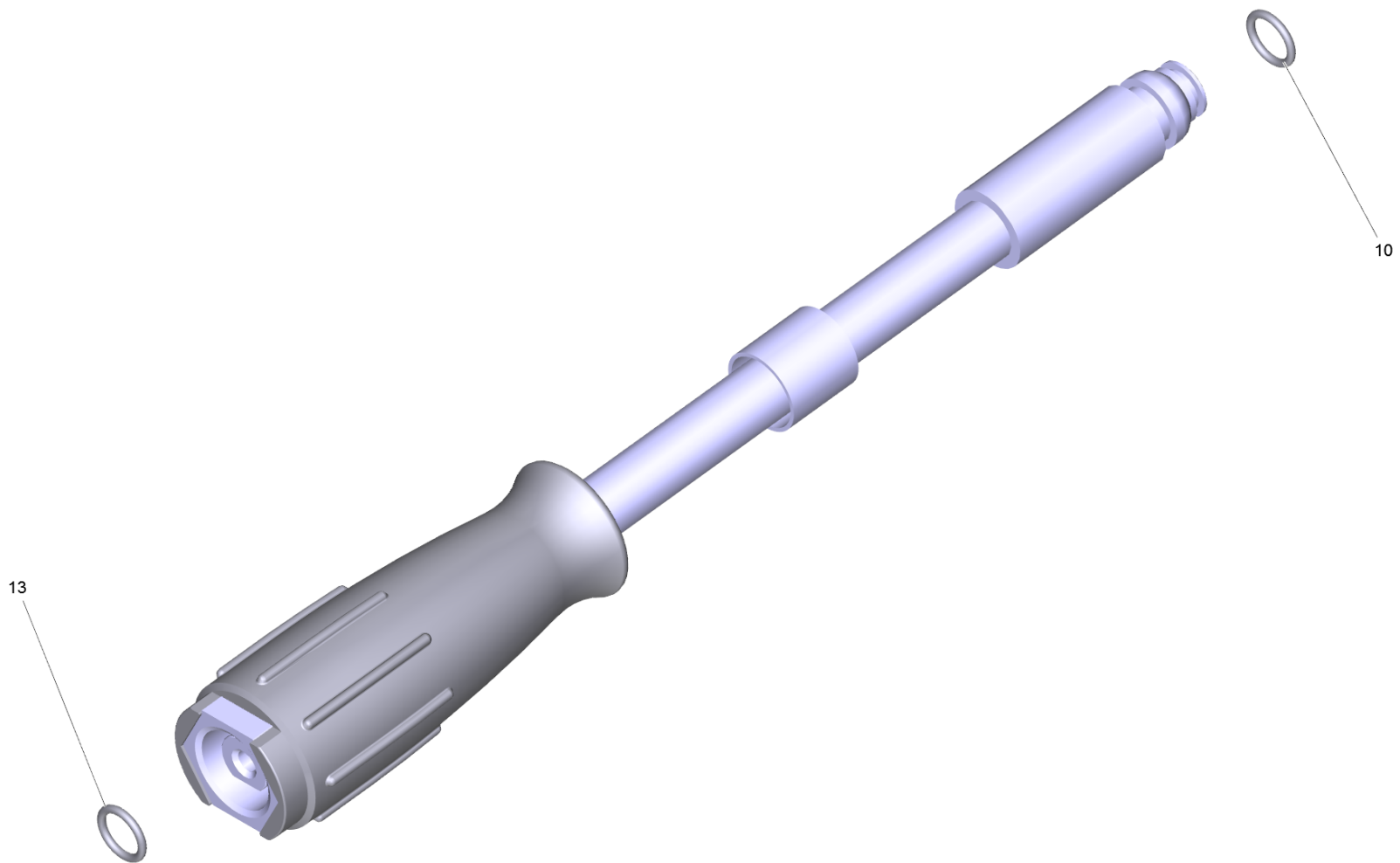
43 Hand trigger gun

POS	Article no.	Description	Quantity	Unit	Remark
0	4.775-529.0	Trigger gun	1	PC	
1	7.303-096.0	Screw 4x22-ST-10.9-R2R (IN6RD)	7	PC	
2	5.481-331.0	Slider	1	PC	
3	5.322-082.3	Handhold few hand trigger gun Low End	1	PC	
4	5.110-596.0	Sleeve	1	PC	
5	4.481-209.3	Lever complete for replacement	1	PC	
6	7.303-129.0	Screw 4x16-10.9-R2R (K-In6Rd)	6	PC	
7	5.322-083.3	Handhold few extended Low End	1	PC	
8	5.032-801.0	Moulded part	1	PC	
9	4.037-013.0	Hook	1	PC	
10	6.368-012.0	Protecting cap 22X1,5	1	PC	
11	4.427-363.0	Manifold complete only for replacement L	1	PC	
12	4.363-691.0	O-Ring seal kpl. -nur fuer Ersatz-	1	PC	
13	2.880-990.0	Spare part set O-Ring 5x -Kaercher	1	PC	
14	6.391-238.0	Hose assembly standard DN6 25MPa 10m	1	PC	10 m
14	6.391-394.0	Hose assembly standard DN6 25MPa 15m	1	PC	15 m



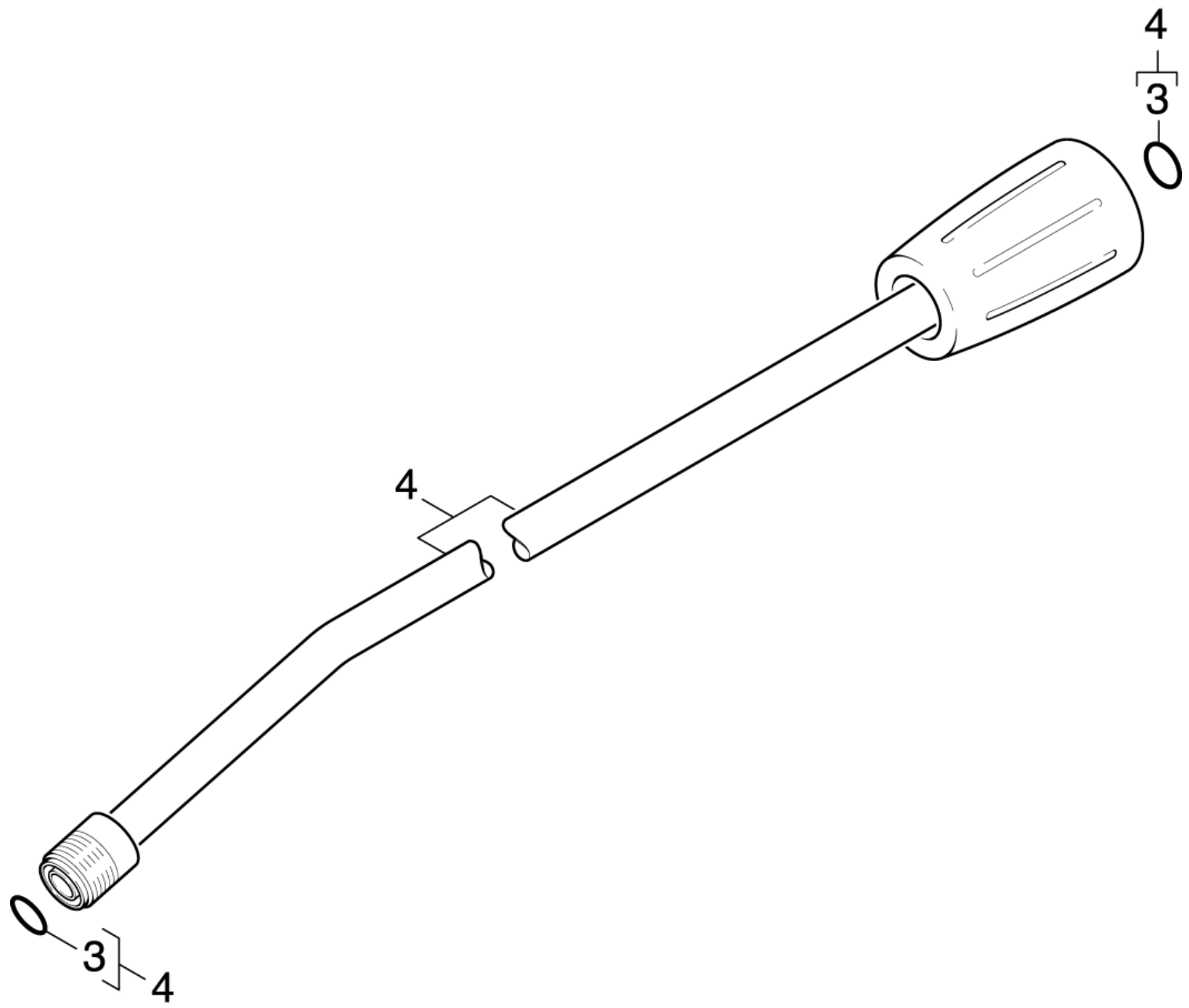
14 Hose assembly standard DN6 25MPa 10m (6.391-238.0)

POS	Article no.	Description	Quantity	Unit
10	4.363-691.0	O-Ring seal kpl. -nur fuer Ersatz-	1	PC
13	2.880-990.0	Spare part set O-Ring 5x -Kaercher	1	PC



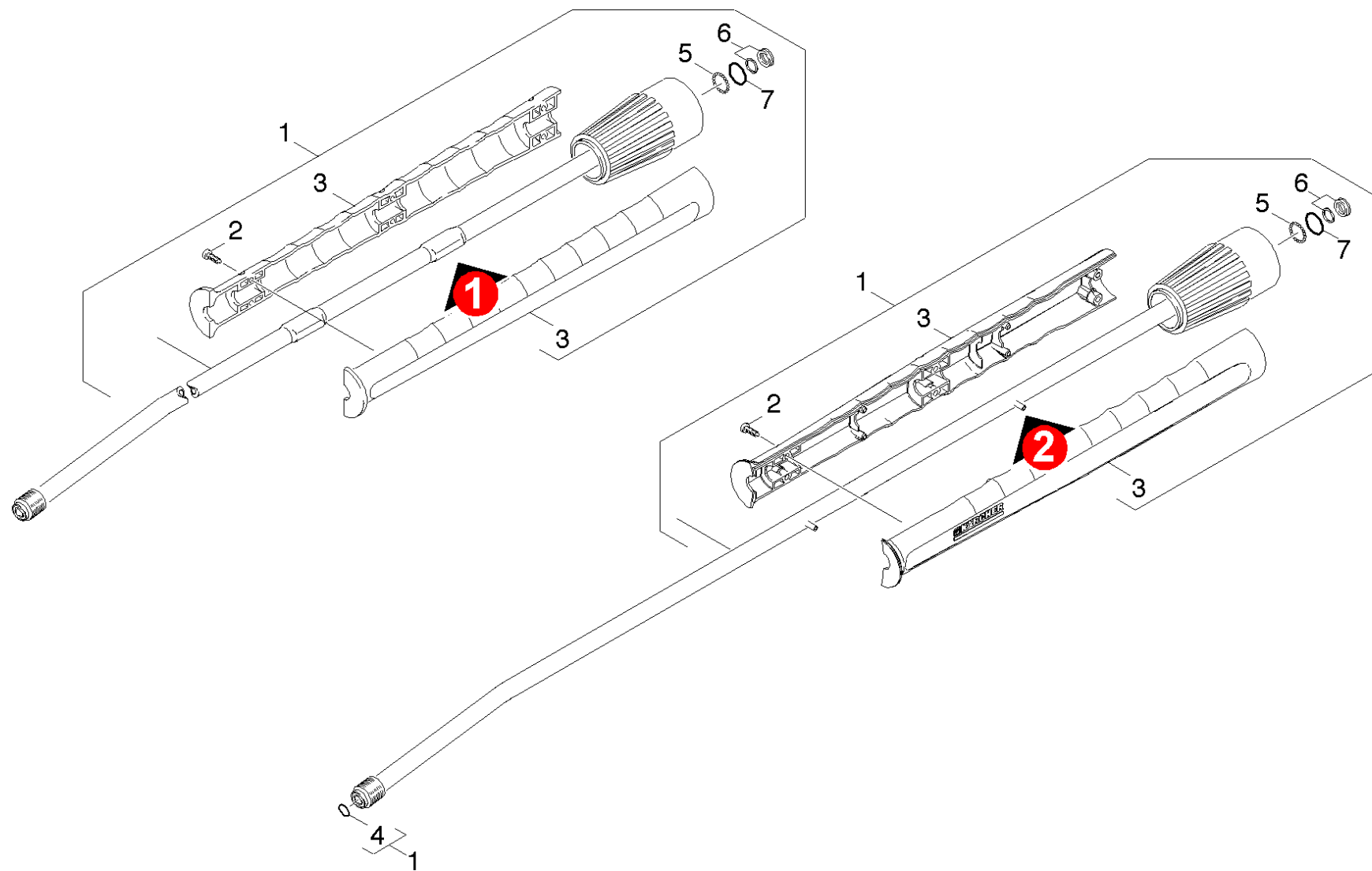
14 Hose assembly standard DN6 25MPa 15m (6.391-394.0)

POS	Article no.	Description	Quantity	Unit
10	4.363-691.0	O-Ring seal kpl. -nur fuer Ersatz-	1	PC
13	2.880-990.0	Spare part set O-Ring 5x -Kaercher	1	PC



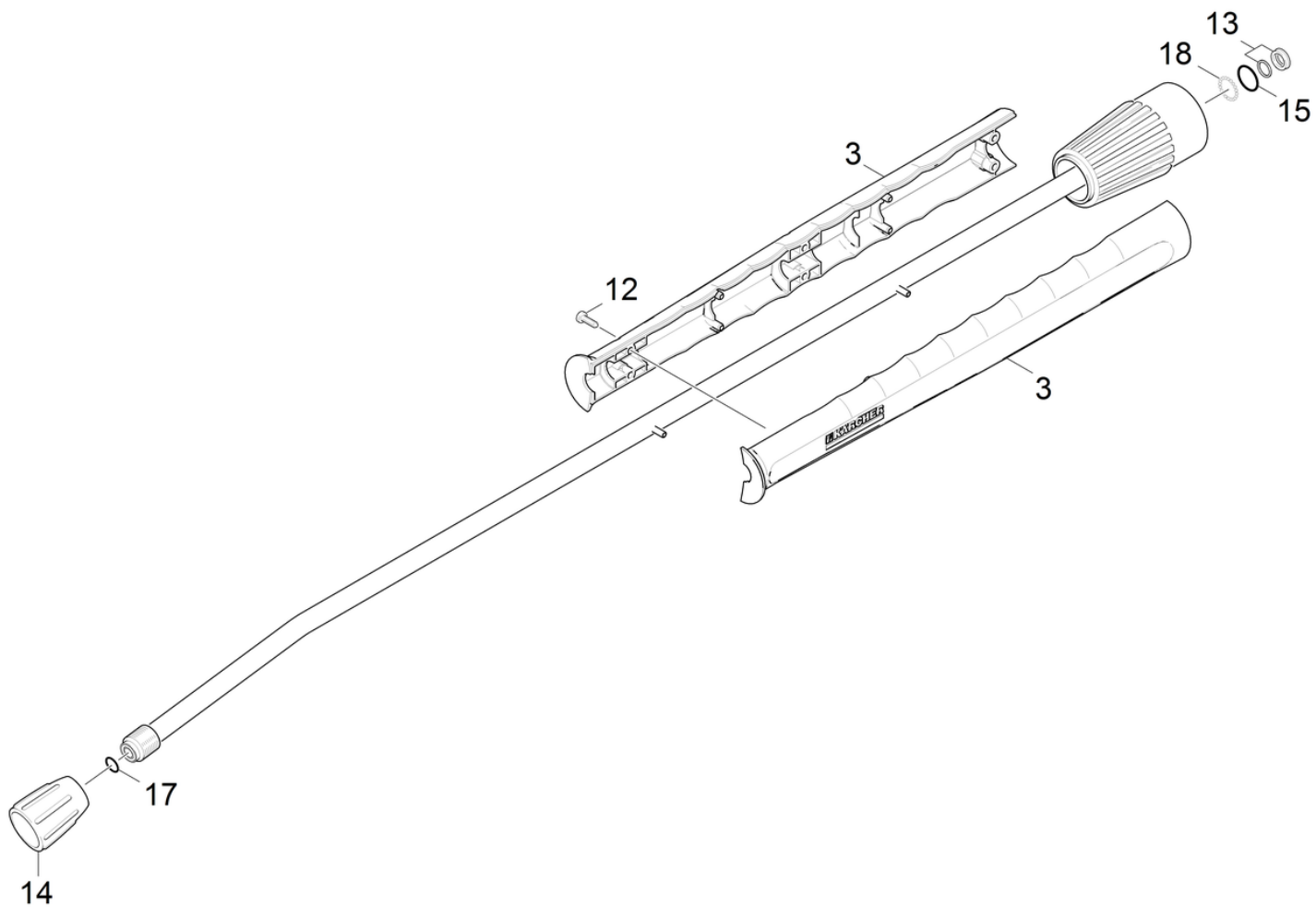
44 Jet pipe

POS	Article no.	Description	Quantity	Unit
3	2.880-990.0	Spare part set O-Ring 5x -Kaercher	1	PC
4	4.760-665.0	Jet pipe packaged only for replacement	1	PC



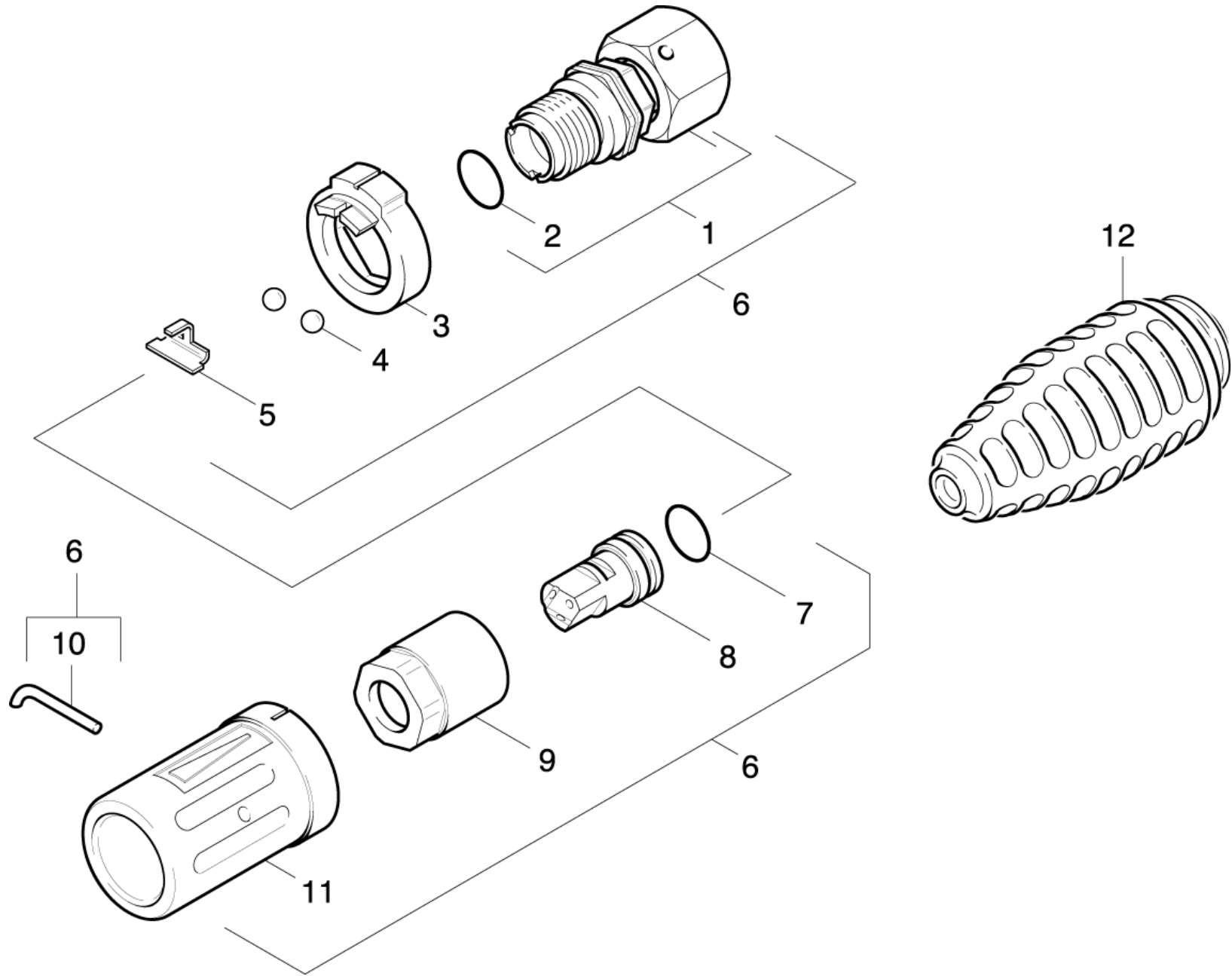
45 Jet pipe

POS	Article no.	Description	Quantity	Unit	Remark
1	4.760-663.0	Jet pipe packaged only for replacement	1	PC	
2	7.303-129.0	Screw 4x16-10.9-R2R (K-In6Rd)	6	PC	
3	5.321-855.3	Handhold few jet pipe with welding bolt packed	1	PC	VERSION 2
3	5.322-083.3	Handhold few extended Low End	1	PC	VERSION 1
4	2.880-990.0	Spare part set O-Ring 5x -Kaercher	1	PC	
5	7.401-915.0	Sphere 2,5 G20 -1.4034 DIN 5401	20	PC	
6	4.363-692.0	Grooved ring kpl. -nur fuer Ersatz-	1	PC	
7	6.362-524.0	O-Ring seal 17,0 X 1,5	1	PC	



1 Jet pipe packaged only for replacement (4.760-663.0)

POS	Article no.	Description	Quantity	Unit
3	5.321-855.3	Handhold few jet pipe with welding bolt packed	1	PC
12	7.303-129.0	Screw 4x16-10.9-R2R (K-In6Rd)	6	PC
13	2.880-001.0	Spare part set seals TR	1	PC
14	5.401-210.0	Screw connector part	1	PC
15	6.362-524.0	O-Ring seal 17,0 X 1,5	1	PC
17	7.362-501.0	O-Ring seal 10x2 EPDM 70 DIN 3770	1	PC
18	7.401-915.0	Sphere 2,5 G20 -1.4034 DIN 5401	20	PC



46 Nozzle

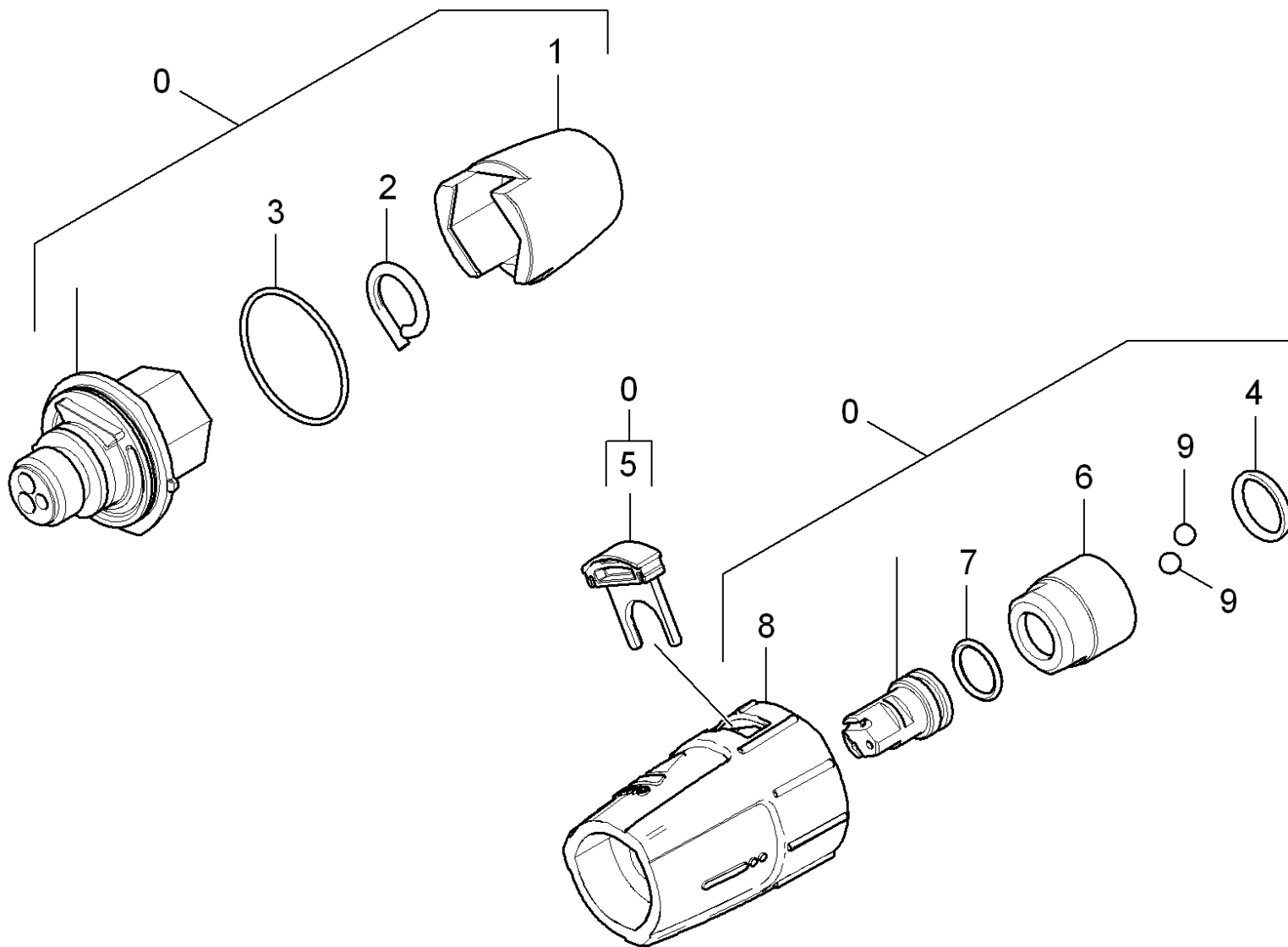
POS	Article no.	Description	Quantity	Unit
1	4.402-042.0	Screw union	1	PC
2	6.362-460.0	O-Ring seal 14,0 X 2,5-NBR 70	1	PC
3	5.030-528.0	Moulded part	1	PC
4	7.401-902.0	Sphere 5 G20 -1.4034 DIN 5401	2	PC
5	5.042-405.0	Holder	1	PC
6	7.777-999.0	Stockpiling discontinued	1	PC
7	6.362-480.0	O-Ring seal 12,42x 1,78	1	PC
8	7.777-999.0	Stockpiling discontinued	1	PC
	Item text1: 1.514-101.0 / -103.0 / -151.0			
8	5.415-602.0	Triple jet nozzle 038	1	PC
	Item text1: / 1.514-105.0 / -201.0 /-203.0 /-204.0 /			
	Item text2: -205.0 /-206.0 /-251.0 /-252.0 /			
8	7.777-999.0	Stockpiling discontinued	1	PC
	Item text1: 1.514-104.0 / -106.0 / -109.0 / -110.0			
	Item text2: / -111.0 /			
8	5.415-598.0	Triple jet nozzle 031	1	PC
	Item text1: 1.514-112.0 /-113.0 /-503.0			
9	5.311-117.0	Hexagon nut	1	PC
10	5.037-059.0	Hook	1	PC
11	5.394-269.0	Protection part	1	PC
12	4.767-023.0	Dirt blaster 040	1	PC
	Item text1: / 1.514-103.0 / -104.0 / -105.0 / -151.0 / -203.0 / -204.0 / -205.0 / -206.0 / -251.0 / -252.0 / -255.0			
12	4.767-041.0	Dirt blaster packaged 03	1	PC
	Item text1: 1.514-124.0			
12	4.767-230.0	Dirt blaster complete only for replaceme	1	PC
	Item text1: 1.514-113.0 /-507.0			

12 Dirt blaster 040 (4.767-023.0)

POS	Article no.	Description	Quantity	Unit
999	4.764-134.0	Nozzle holder 040	1	PC

12 Dirt blaster packaged 03 (4.767-041.0)

POS	Article no.	Description	Quantity	Unit
999	4.764-150.0	Nozzle holder 03	1	PC



47 Nozzle

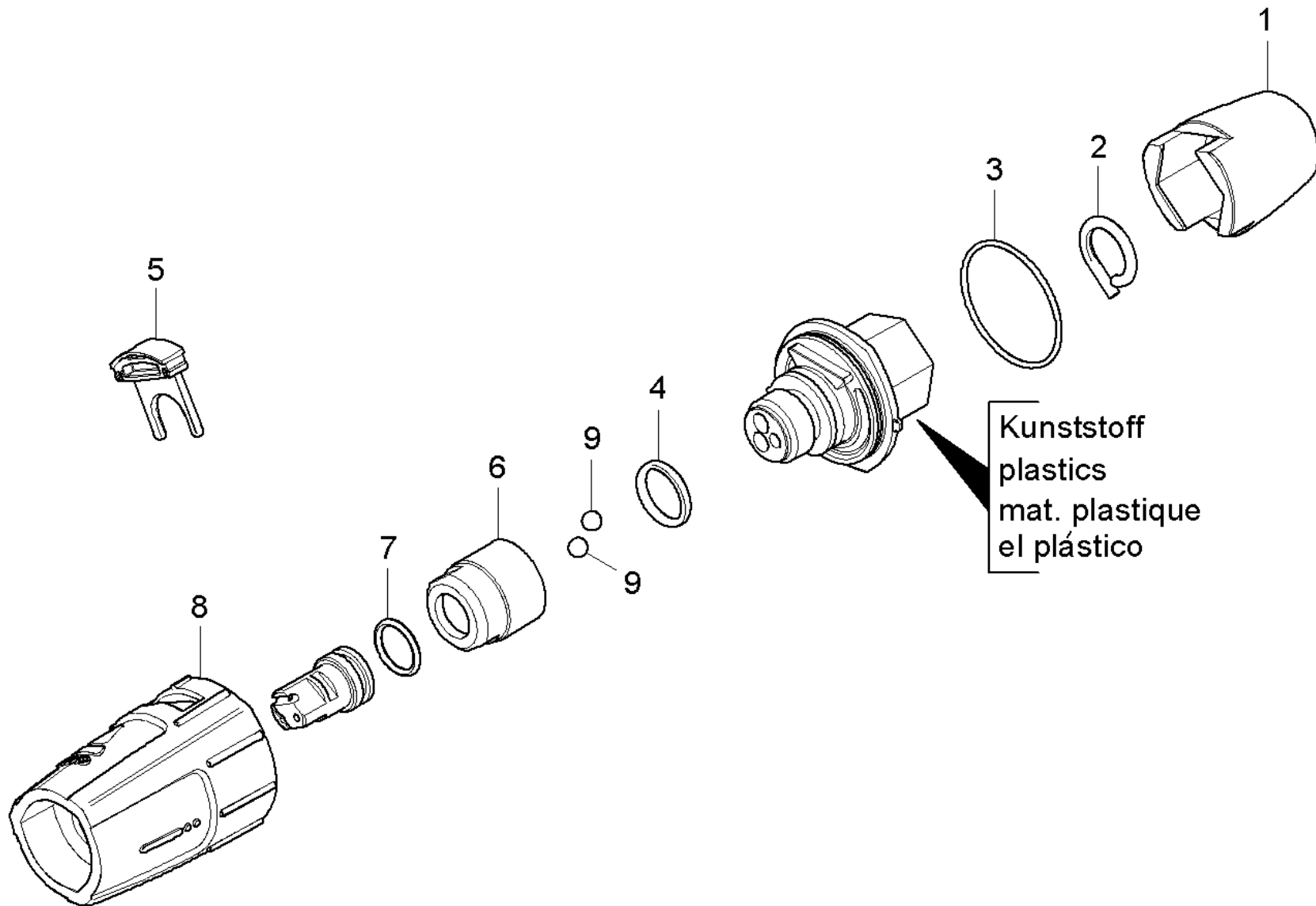
POS	Article no.	Description	Quantity	Unit
0	4.767-145.0	Triple jet nozzle replacement 031 Item text1: 1.514-112.0 /-113.0 /-123.0 /-124.0 / Item text2: -503.0 /-508.0	1	PC
0	4.767-146.0	Triple jet nozzle replacement 033 Item text1: 1.514-507.0 /	1	PC
0	4.767-148.0	Triple jet nozzle replacement 036 Item text1: 1.514-101.0 /103.0 /-106.0 /-109.0 /-110.0 / -111.0 /-127.0 /-151.0	1	PC
0	4.767-149.0	Triple jet nozzle replacement 038 Item text1: 1.514-104.0 /-105.0 /-201.0 /-203.0 /-204.0 / -205.0 /-206.0 /-207.0 /-251.0 /-252.0 /-255.0	1	PC
1	5.394-530.0	Protection part complete	1	PC
2	6.343-150.0	Pin 03	1	PC
3	6.362-409.0	O-Ring seal 32,0 X 1,5	1	PC
4	6.362-460.0	O-Ring seal 14,0 X 2,5-NBR 70	1	PC
5	5.321-884.0	Clamp	1	PC
6	5.311-225.0	Nut	1	PC
7	6.362-480.0	O-Ring seal 12,42x 1,78	1	PC
8	5.394-859.0	Protection part	1	PC
9	7.401-902.0	Sphere 5 G20 -1.4034 DIN 5401	2	PC

Triple jet nozzle replacement 031 (4.767-145.0)

POS	Article no.	Description	Quantity	Unit
2	5.970-837.0	Spare parts list triple jet nozzle	1	PC

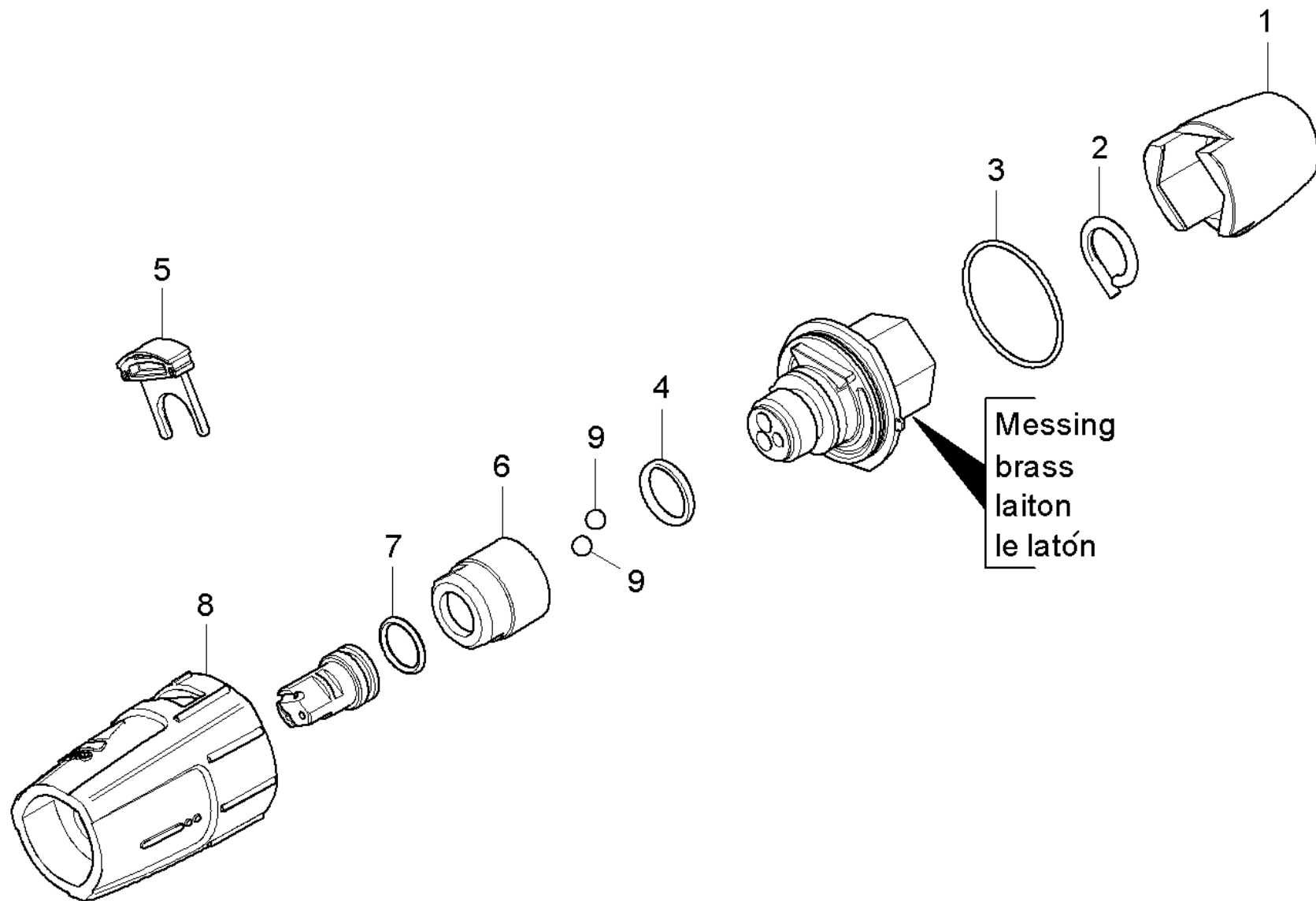
2 Spare parts list triple jet nozzle (5.970-837.0)

POS	Description	Quantity	Unit
10	Triple jet nozzle plastics	1	PC
20	Triple jet nozzle brass	1	PC



10 Triple jet nozzle plastics

POS	Article no.	Description	Quantity	Unit
1	5.394-530.0	Protection part complete	1	PC
2	6.343-150.0	Pin 03	1	PC
3	6.362-409.0	O-Ring seal 32,0 X 1,5	1	PC
4	7.362-039.0	O-Ring seal 15,5x1,5 -NBR70 DIN 3771	1	PC
5	5.321-884.0	Clamp	1	PC
6	5.311-236.0	Nut	1	PC
7	6.362-480.0	O-Ring seal 12,42x 1,78	1	PC
8	5.394-874.0	Protection part	1	PC
9	7.401-902.0	Sphere 5 G20 -1.4034 DIN 5401	2	PC



20 Triple jet nozzle brass

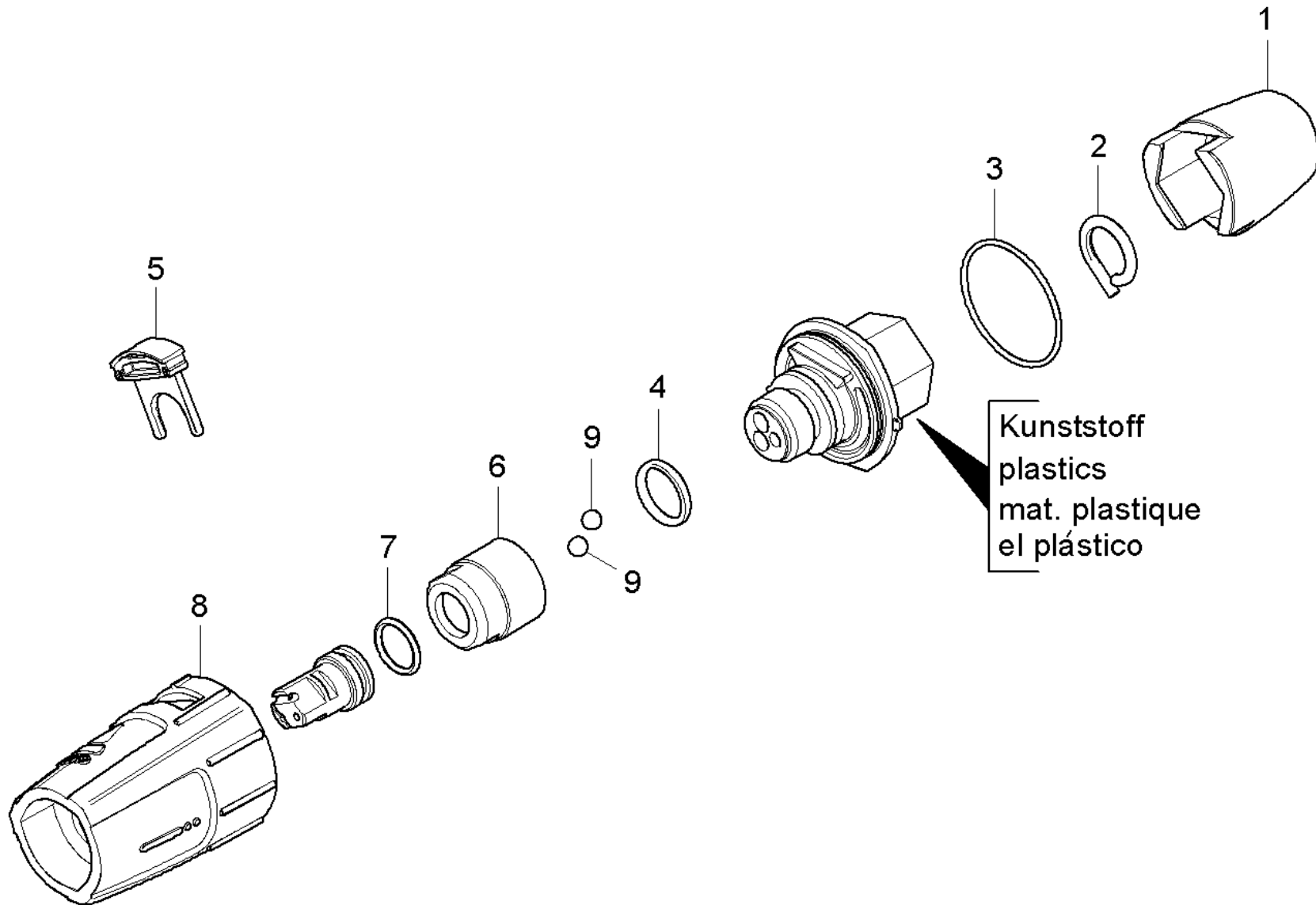
POS	Article no.	Description	Quantity	Unit
1	5.394-530.0	Protection part complete	1	PC
2	6.343-150.0	Pin 03	1	PC
3	6.362-409.0	O-Ring seal 32,0 X 1,5	1	PC
4	6.362-460.0	O-Ring seal 14,0 X 2,5-NBR 70	1	PC
5	5.321-884.0	Clamp	1	PC
6	5.311-225.0	Nut	1	PC
7	6.362-480.0	O-Ring seal 12,42x 1,78	1	PC
8	5.394-859.0	Protection part	1	PC
9	7.401-902.0	Sphere 5 G20 -1.4034 DIN 5401	2	PC

Triple jet nozzle replacement 033 (4.767-146.0)

POS	Article no.	Description	Quantity	Unit
2	5.970-837.0	Spare parts list triple jet nozzle	1	PC

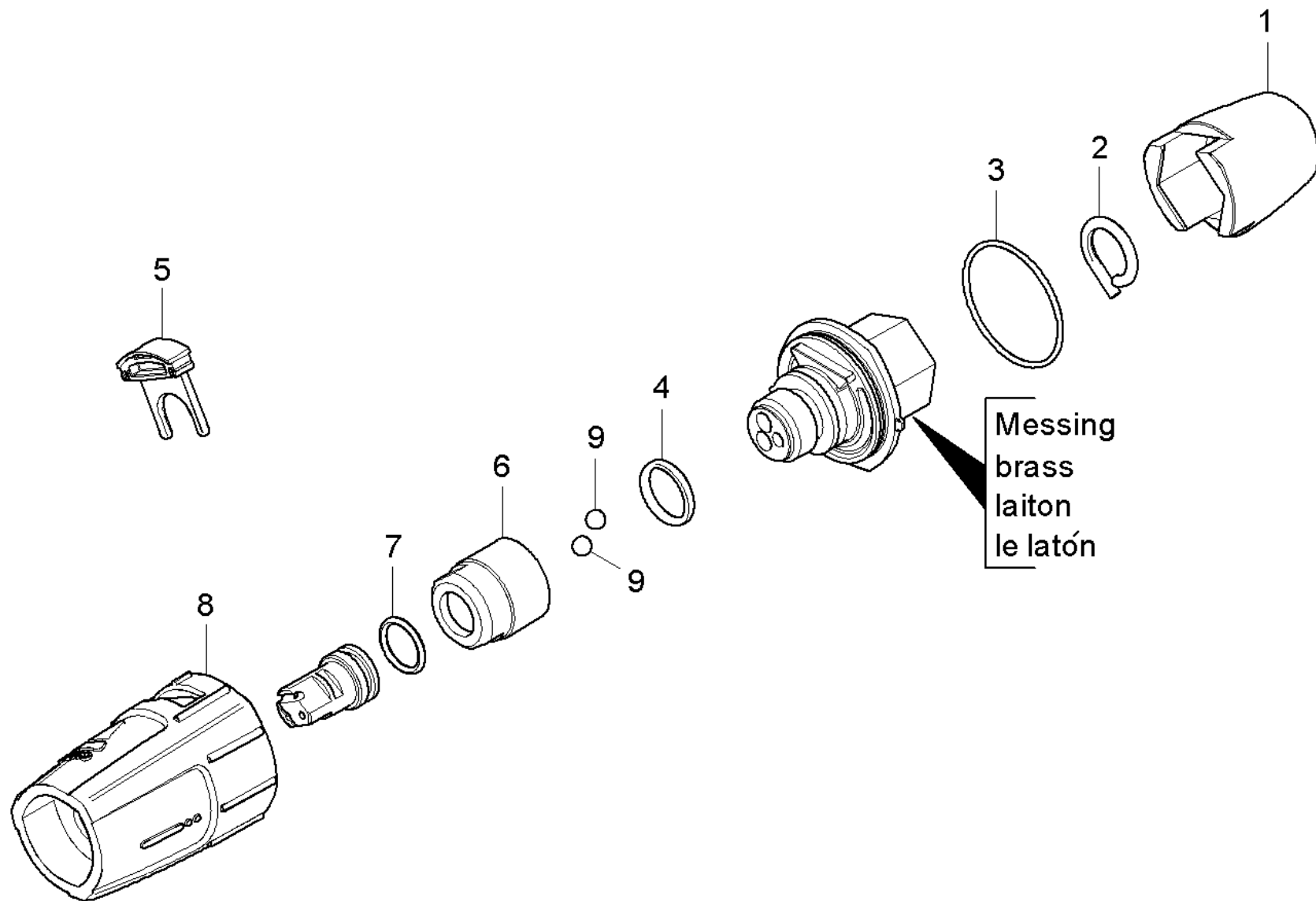
2 Spare parts list triple jet nozzle (5.970-837.0)

POS	Description	Quantity	Unit
10	Triple jet nozzle plastics	1	PC
20	Triple jet nozzle brass	1	PC



10 Triple jet nozzle plastics

POS	Article no.	Description	Quantity	Unit
1	5.394-530.0	Protection part complete	1	PC
2	6.343-150.0	Pin 03	1	PC
3	6.362-409.0	O-Ring seal 32,0 X 1,5	1	PC
4	7.362-039.0	O-Ring seal 15,5x1,5 -NBR70 DIN 3771	1	PC
5	5.321-884.0	Clamp	1	PC
6	5.311-236.0	Nut	1	PC
7	6.362-480.0	O-Ring seal 12,42x 1,78	1	PC
8	5.394-874.0	Protection part	1	PC
9	7.401-902.0	Sphere 5 G20 -1.4034 DIN 5401	2	PC



20 Triple jet nozzle brass

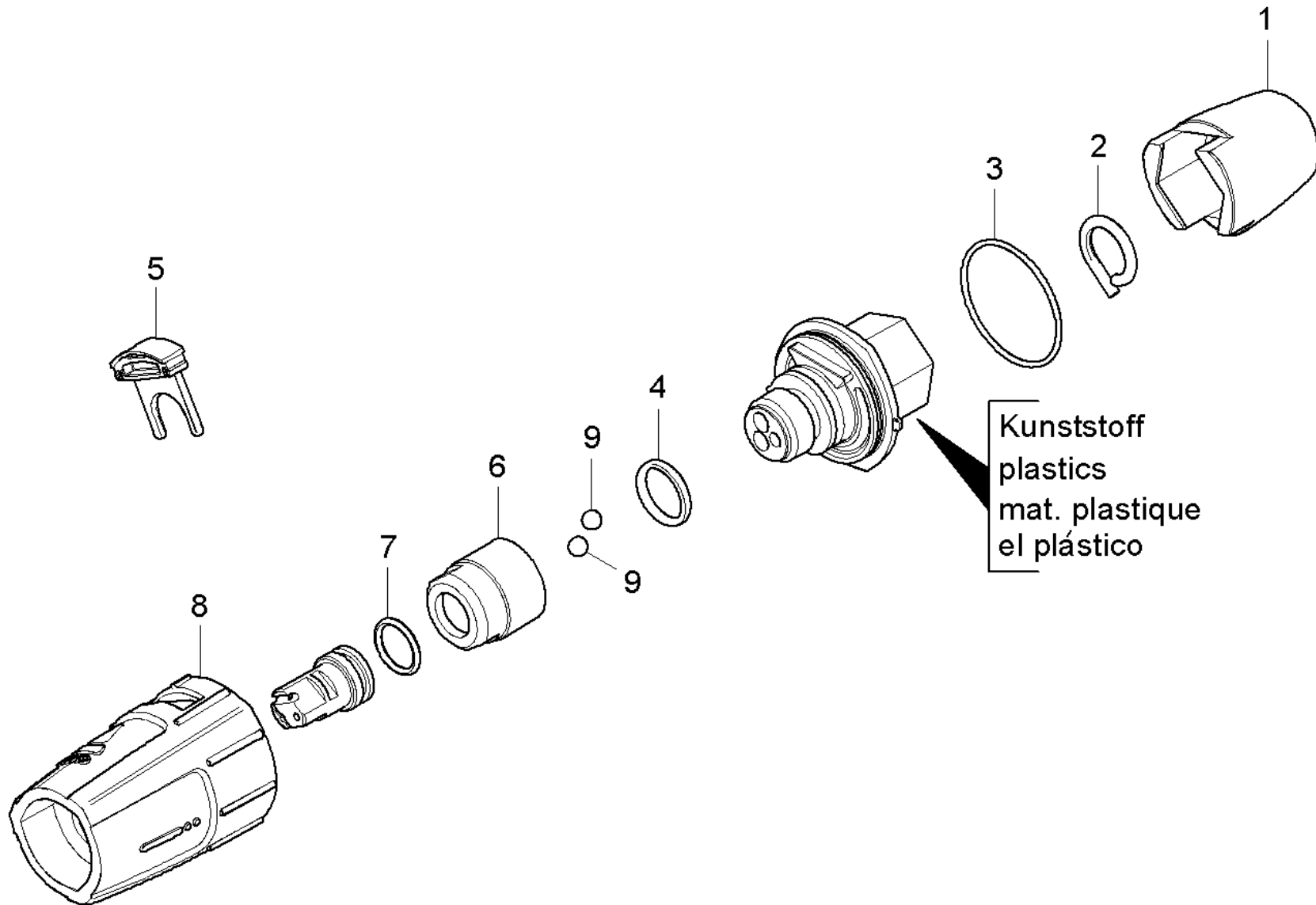
POS	Article no.	Description	Quantity	Unit
1	5.394-530.0	Protection part complete	1	PC
2	6.343-150.0	Pin 03	1	PC
3	6.362-409.0	O-Ring seal 32,0 X 1,5	1	PC
4	6.362-460.0	O-Ring seal 14,0 X 2,5-NBR 70	1	PC
5	5.321-884.0	Clamp	1	PC
6	5.311-225.0	Nut	1	PC
7	6.362-480.0	O-Ring seal 12,42x 1,78	1	PC
8	5.394-859.0	Protection part	1	PC
9	7.401-902.0	Sphere 5 G20 -1.4034 DIN 5401	2	PC

Triple jet nozzle replacement 036 (4.767-148.0)

POS	Article no.	Description	Quantity	Unit
2	5.970-837.0	Spare parts list triple jet nozzle	1	PC

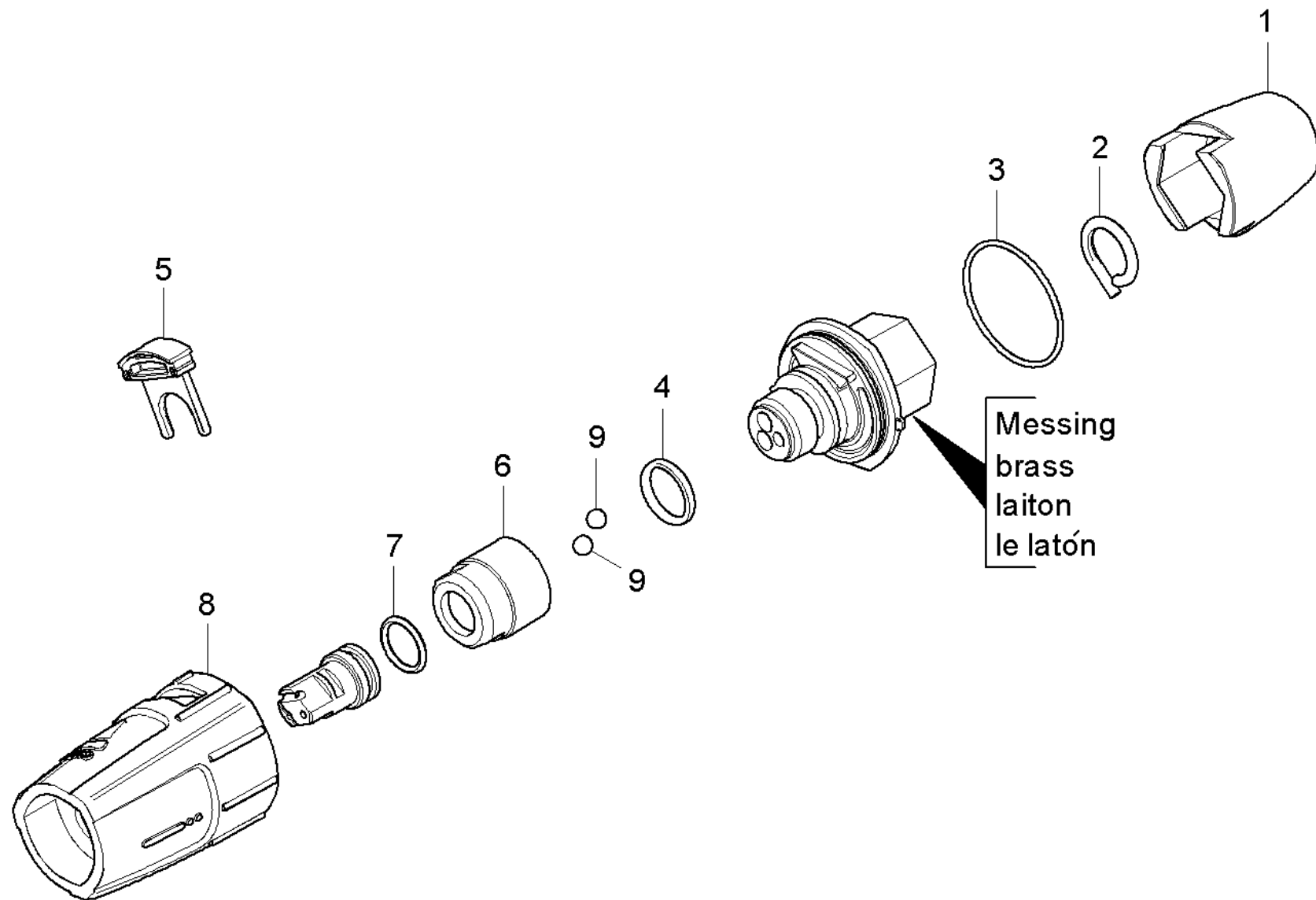
2 Spare parts list triple jet nozzle (5.970-837.0)

POS	Description	Quantity	Unit
10	Triple jet nozzle plastics	1	PC
20	Triple jet nozzle brass	1	PC



10 Triple jet nozzle plastics

POS	Article no.	Description	Quantity	Unit
1	5.394-530.0	Protection part complete	1	PC
2	6.343-150.0	Pin 03	1	PC
3	6.362-409.0	O-Ring seal 32,0 X 1,5	1	PC
4	7.362-039.0	O-Ring seal 15,5x1,5 -NBR70 DIN 3771	1	PC
5	5.321-884.0	Clamp	1	PC
6	5.311-236.0	Nut	1	PC
7	6.362-480.0	O-Ring seal 12,42x 1,78	1	PC
8	5.394-874.0	Protection part	1	PC
9	7.401-902.0	Sphere 5 G20 -1.4034 DIN 5401	2	PC



20 Triple jet nozzle brass

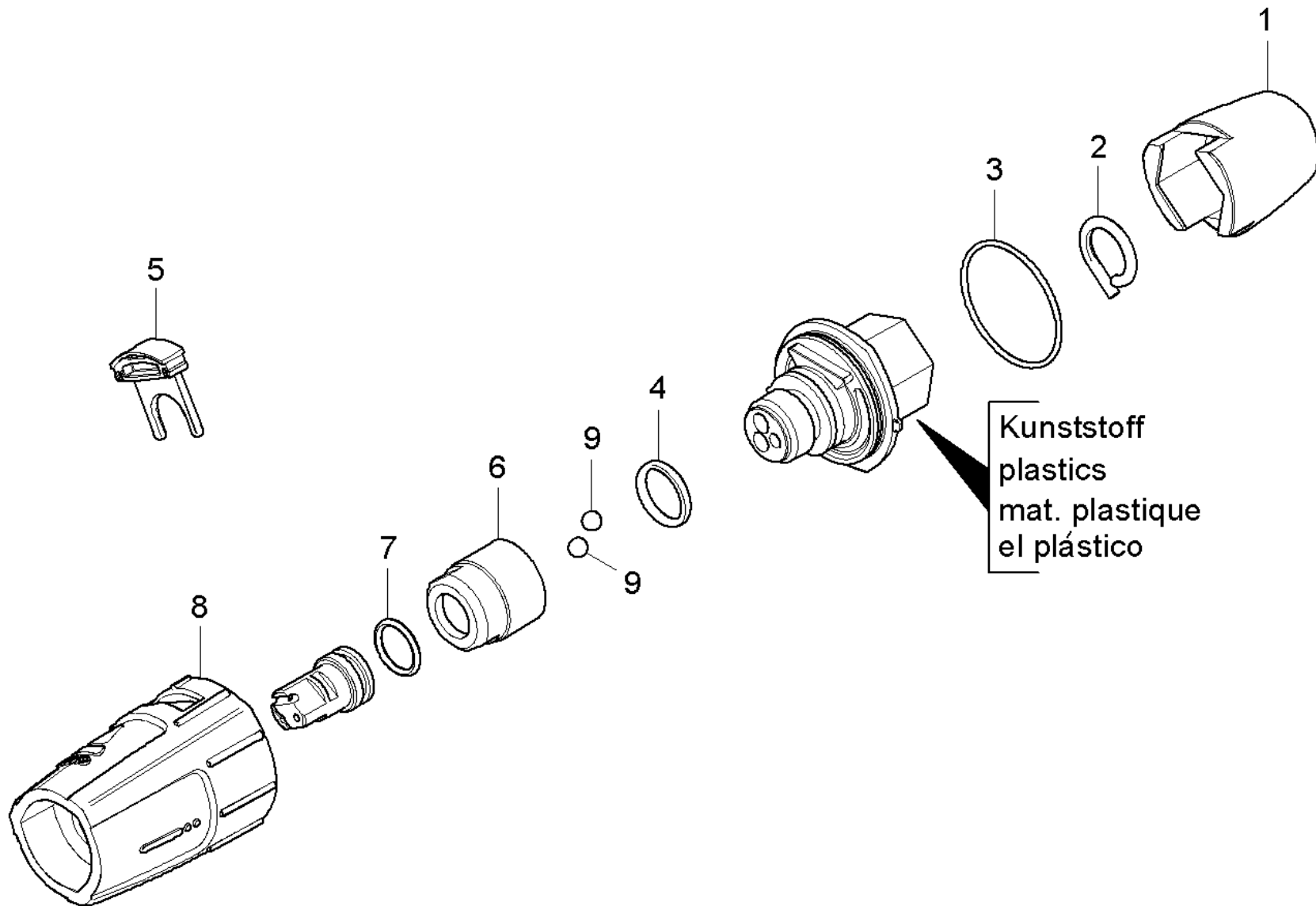
POS	Article no.	Description	Quantity	Unit
1	5.394-530.0	Protection part complete	1	PC
2	6.343-150.0	Pin 03	1	PC
3	6.362-409.0	O-Ring seal 32,0 X 1,5	1	PC
4	6.362-460.0	O-Ring seal 14,0 X 2,5-NBR 70	1	PC
5	5.321-884.0	Clamp	1	PC
6	5.311-225.0	Nut	1	PC
7	6.362-480.0	O-Ring seal 12,42x 1,78	1	PC
8	5.394-859.0	Protection part	1	PC
9	7.401-902.0	Sphere 5 G20 -1.4034 DIN 5401	2	PC

Triple jet nozzle replacement 038 (4.767-149.0)

POS	Article no.	Description	Quantity	Unit
2	5.970-837.0	Spare parts list triple jet nozzle	1	PC

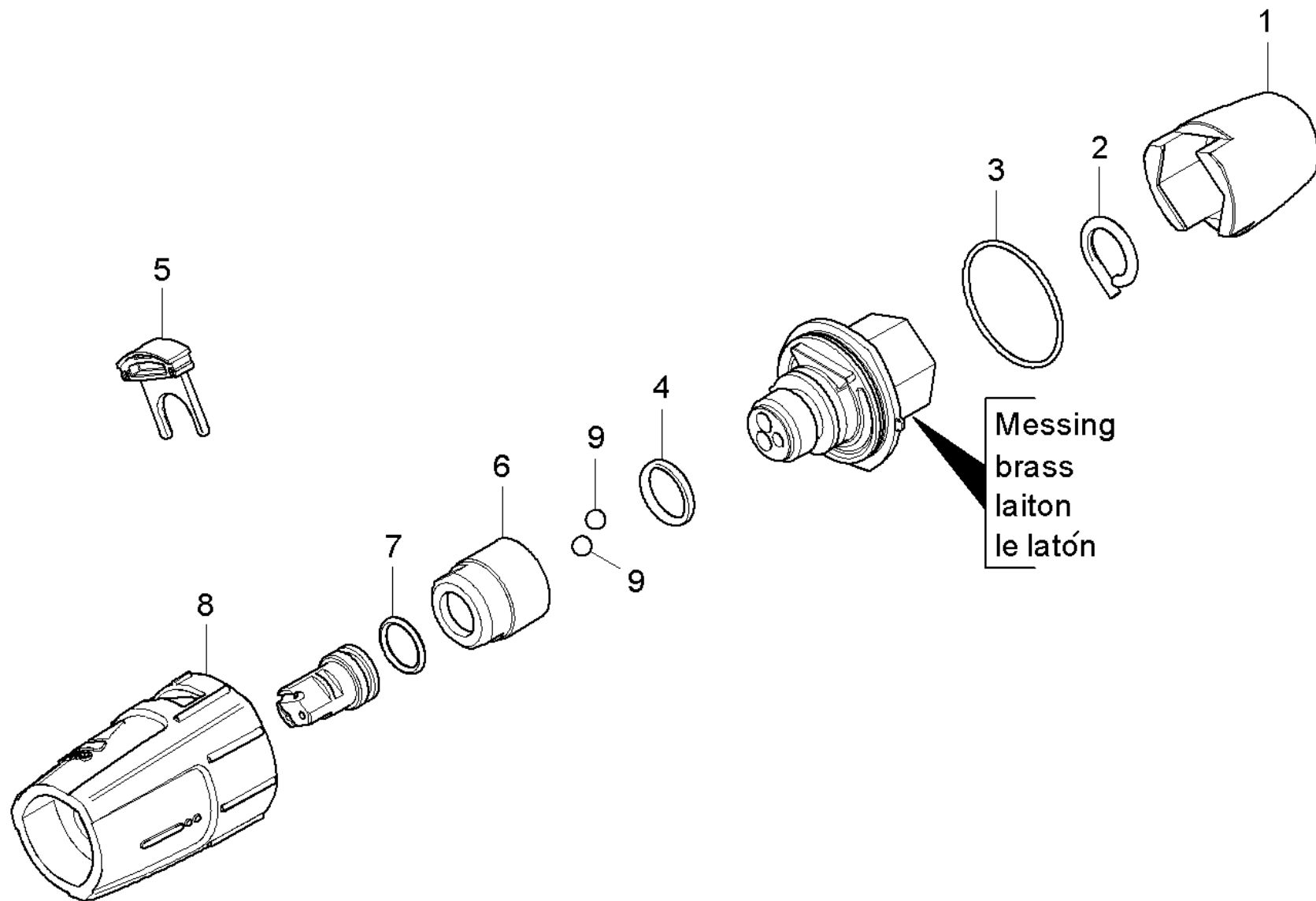
2 Spare parts list triple jet nozzle (5.970-837.0)

POS	Description	Quantity	Unit
10	Triple jet nozzle plastics	1	PC
20	Triple jet nozzle brass	1	PC



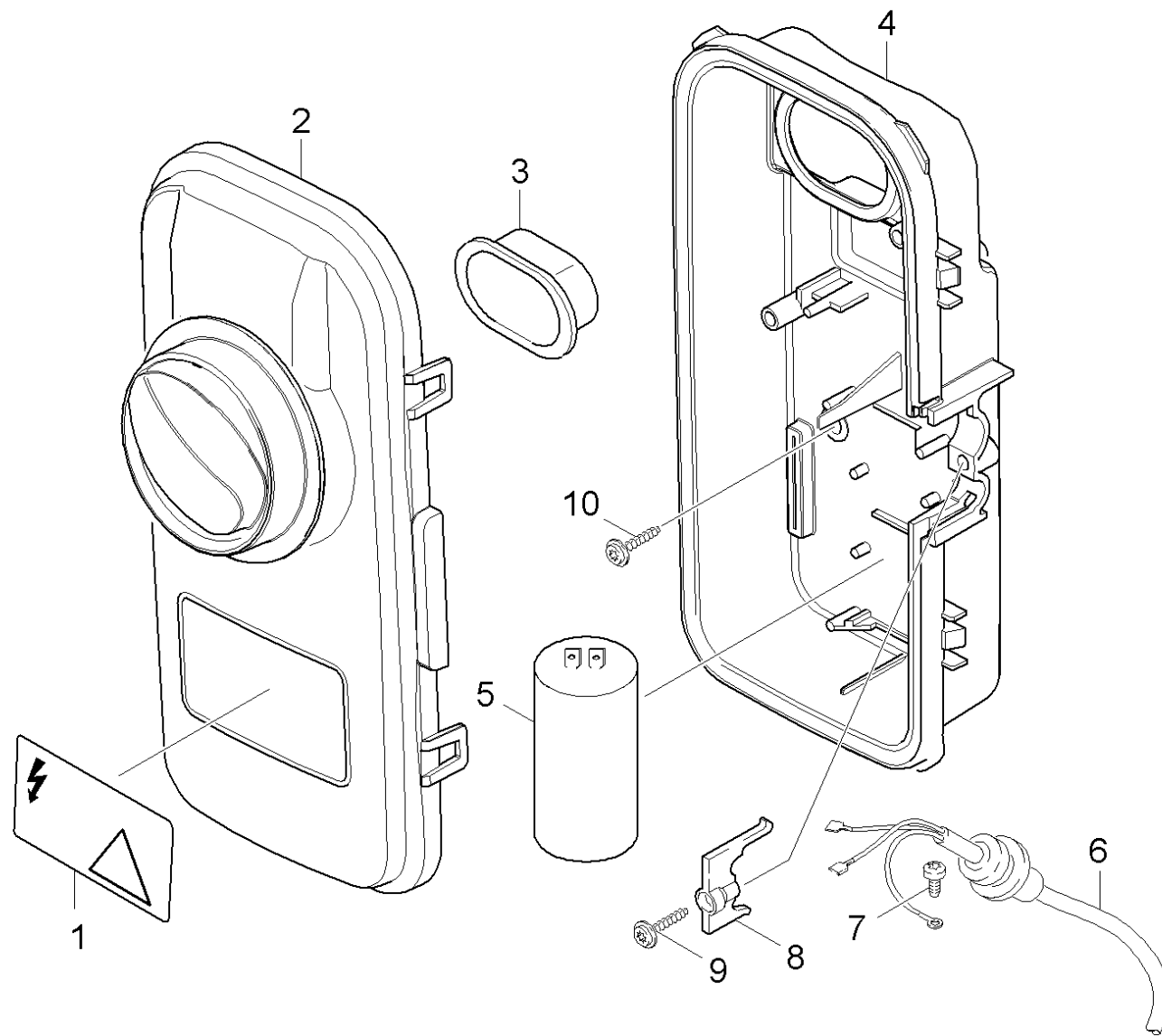
10 Triple jet nozzle plastics

POS	Article no.	Description	Quantity	Unit
1	5.394-530.0	Protection part complete	1	PC
2	6.343-150.0	Pin 03	1	PC
3	6.362-409.0	O-Ring seal 32,0 X 1,5	1	PC
4	7.362-039.0	O-Ring seal 15,5x1,5 -NBR70 DIN 3771	1	PC
5	5.321-884.0	Clamp	1	PC
6	5.311-236.0	Nut	1	PC
7	6.362-480.0	O-Ring seal 12,42x 1,78	1	PC
8	5.394-874.0	Protection part	1	PC
9	7.401-902.0	Sphere 5 G20 -1.4034 DIN 5401	2	PC



20 Triple jet nozzle brass

POS	Article no.	Description	Quantity	Unit
1	5.394-530.0	Protection part complete	1	PC
2	6.343-150.0	Pin 03	1	PC
3	6.362-409.0	O-Ring seal 32,0 X 1,5	1	PC
4	6.362-460.0	O-Ring seal 14,0 X 2,5-NBR 70	1	PC
5	5.321-884.0	Clamp	1	PC
6	5.311-225.0	Nut	1	PC
7	6.362-480.0	O-Ring seal 12,42x 1,78	1	PC
8	5.394-859.0	Protection part	1	PC
9	7.401-902.0	Sphere 5 G20 -1.4034 DIN 5401	2	PC



50 Electric box

POS	Article no.	Description	Quantity	Unit	Remark
1	5.388-512.0	Label	1	PC	
2	4.744-266.0	Switch complete	1	PC	
	Item text1: 1.514-112.0 /-113.0 /-123.0 /-124.0 /-201.0 /-203.0 /-204.0 /-205.0 /-206.0 /-207.0 /-251.0 /-252.0 /-255.0 /-503.0 /-507.0 /-508.0				
2	4.744-269.0	Switch complete	1	PC	
	Item text1: / 1.514-106.0 / -111.0				
2	4.744-166.0	Switch complete	1	PC	
	Item text1: 1.514-101.0 / -103.0 / -104.0 / -105.0 /				
	Item text2: 1.514-109.0 / -110.0 / -127.0 /-151.0 /				
3	5.365-181.0	Profile gasket	1	PC	
4	5.061-000.0	Housing	1	PC	
	Item text1: 1.514-101.0 /-103.0 /-104.0 /-105.0 / -110.0 /-112.0 /-113.0 /-123.0 /-124.0 /-127.0 /-151.0 /-201.0 /-203.0 /-204.0 /-205.0 /-206.0 /-207.0 /-251.0 /-252.0 /-255.0 /-503.0 /-507.0 /-508.0				
4	5.061-084.0	Housing	1	PC	
	Item text1: / 1.514-106.0 / -111.0				
5	6.661-158.0	Capacitor 40µF	1	PC	40 mF
5	6.661-237.3	Capacitor for replacement 70µF	1	PC	70 mF
5	6.661-132.0	Capacitor 35µF	1	PC	35 mF
5	6.661-129.0	Capacitor 25MF	1	PC	25 mF
6	6.648-906.3	Cable with plug	1	PC	(EUR)
	Item text1: 1.514-101.0 /-109.0 /-110.0 /-112.0 /-113.0 /-123.0 /-124.0 /-151.0 /-201.0 /-204.0 /-205.0 /-206.0 /-251.0 /-252.0 /-255.0 /-503.0 /-508.0				
6	6.648-977.3	Cable with plug *GB	1	PC	(GB)
	Item text1: / 1.514-103.0 /-127.0 /-203.0 /-207.0				
	Item text2: /-507.0				
6	6.648-979.0	Cable with plug *AUS	1	PC	(AU)
	Item text1: / 1.514-105.0				
6	6.648-980.0	Cable with plug *CDN	1	PC	(CSA)
	Item text1: / 1.514-106.0				
6	6.650-398.3	Cable with plug *Ed	1	PC	
	Item text1: / 1.514-111.0				
6	6.651-868.3	Cable with plug *CH H07RN-F 3G1,5	1	PC	(CH)
	Item text1: / 1.514-104.0				
7	7.303-031.0	Screw M4x10 -St-P2R (In6Rd)	1	PC	
8	5.263-051.0	Tensioning part	1	PC	

50 Electric box

POS	Article no.	Description	Quantity	Unit	Remark
9	7.303-109.0	Screw 5x25 -10.9-R2R (In6Rd)	1	PC	
10	6.303-153.0	Screw M5x15-ST-R2R (IN6RD)	3	PC	