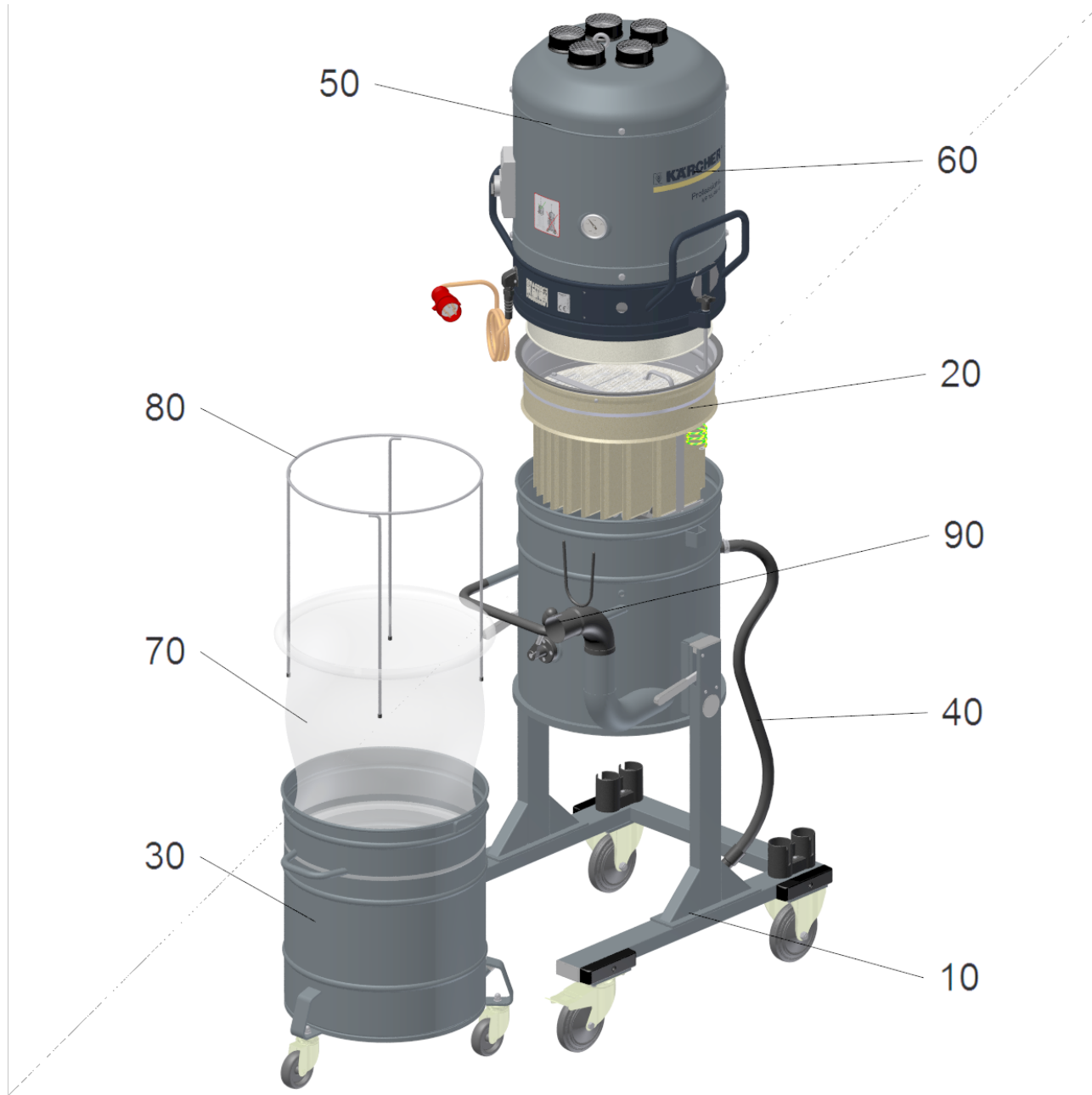


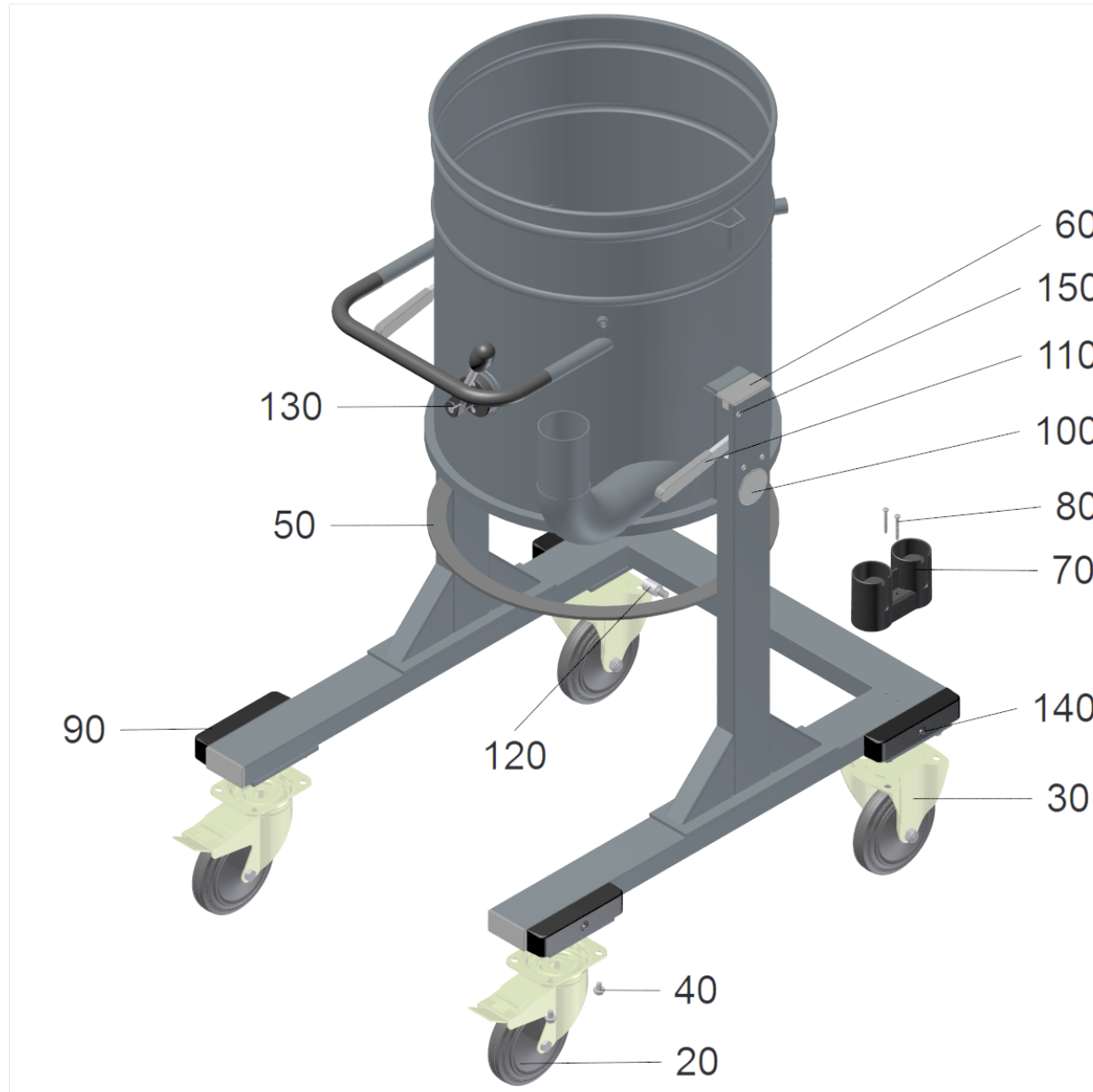
Table of contents

10 Spare parts list IVR-L 100/40 Pf (9.986-636.0)	2
10 Chassis IVR, RI 332 RAL 7012 (9.986-663.0)	4
110 Fixing and lifting device complete RI 3 (9.981-649.0)	6
130 Riddling device manually operated new (9.981-717.0)	8
20 Pocket filter 1,75m ² Kat "M" (9.981-680.0)	10
20 Distance rake pocket filter 1,75m ² (9.981-721.0)	12
30 Storage tank IVR, 100 Liter RAL 7012 (9.986-664.0)	13
40 Pressure compensation tube Typ A ø25, 16 (9.982-100.0)	15
50 Drive unit IVR D4 IE2 mit PKZM	16
10 Blower base with hand grip 3-4kWRAL9011 (9.986-686.0)	19
90 Side canal compressor Baugr. 4kW IE2 RI	20
100 Silencer Ausblusschl. ø76x800mm (9.981-813.0)	22



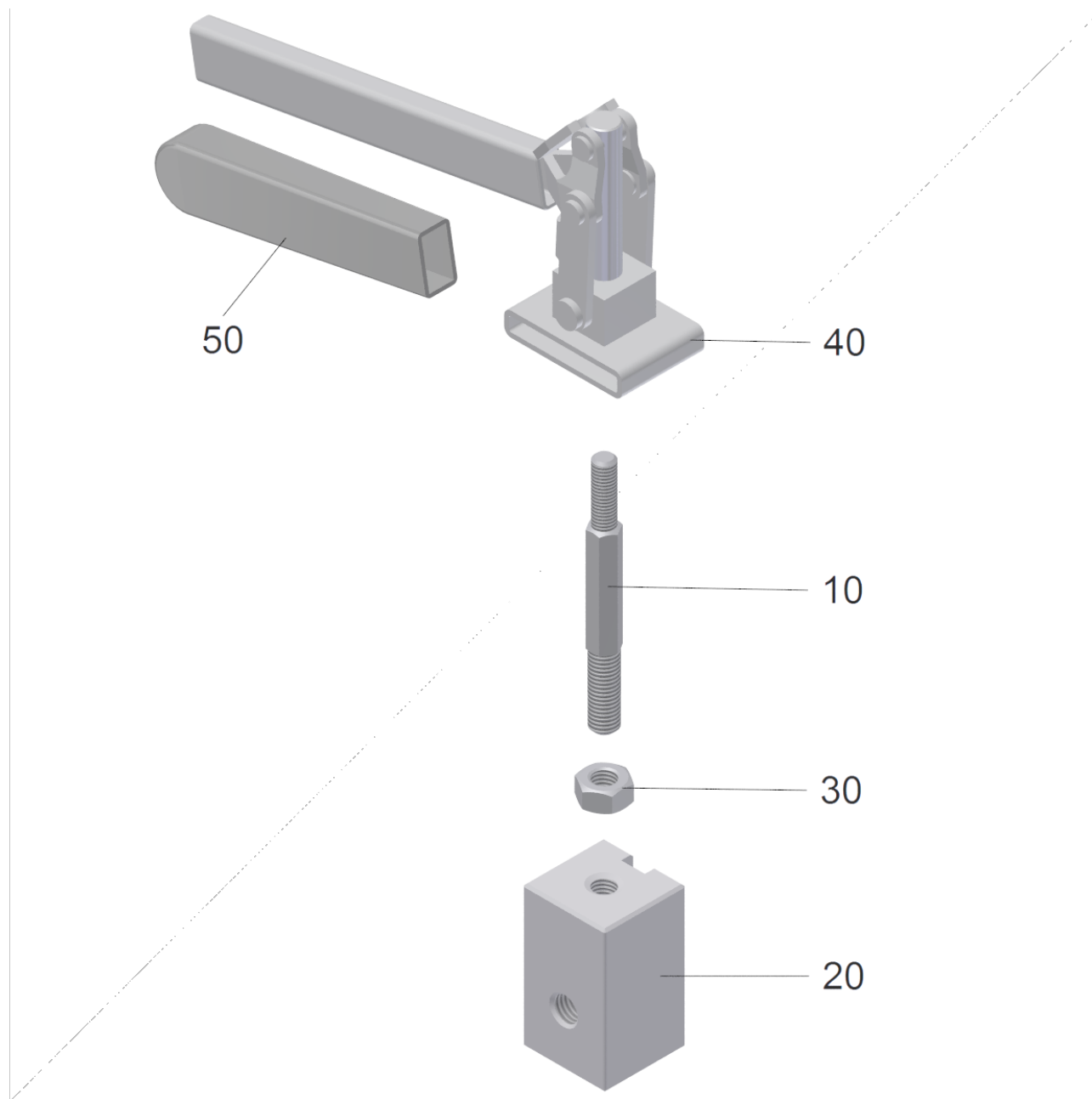
10 Spare parts list IVR-L 100/40 Pf (9.986-636.0)

POS	Article no.	Description	Quantity	Unit
80	9.980-141.0	Blank holder for round bottom bag 100L	1.000	ST
10	9.986-663.0	Chassis IVR, RI 332 RAL 7012	1.000	ST
50		Drive unit IVR D4 IE2 mit PKZM	1.000	ST
90	9.981-313.0	Insertion connecting bend 90°-DN 70	1.000	ST
60	9.986-176.0	Label IVR 100/40 Pf	2.000	ST
20	9.981-680.0	Pocket filter 1,75m ² Kat "M"	1.000	ST
40	9.982-100.0	Pressure compensation tube Typ A ø25, 16	1.000	ST
70	9.979-512.0	Round bottom bag storage tank 100L	1.000	ST
30	9.986-664.0	Storage tank IVR, 100 Liter RAL 7012	1.000	ST



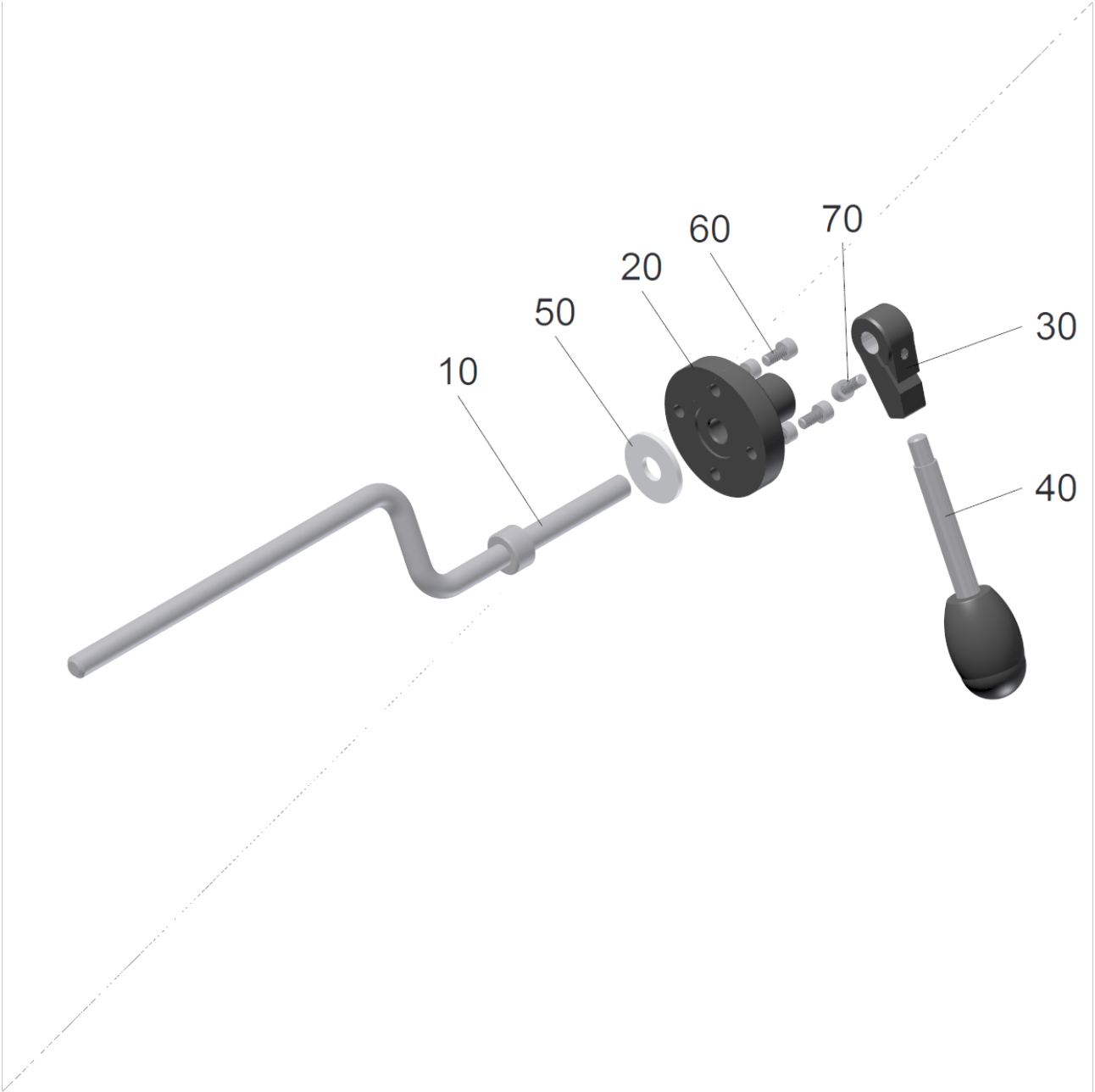
10 Chassis IVR, RI 332 RAL 7012 (9.986-663.0)

POS	Article no.	Description	Quantity	Unit
70	6.415-930.0	Accessories holder DN 40/50	2.000	ST
20	9.981-629.0	Castor with arrester ø160mm	2.000	ST
100	9.980-008.0	Covering cap bore side part ø53mm	2.000	ST
140	7.306-243.0	Cylinder head screw M10x25 -A4-70 ISO 4	4.000	ST
30	9.981-624.0	Fixed castor solid rubber black ø160mm	2.000	ST
110	9.981-649.0	Fixing and lifting device complete RI 3	2.000	ST
120	9.980-136.0	Headless screw for lifting device	2.000	ST
150		Oval head screw M5x45-vz ISO 7380	6.000	ST
60	9.980-001.0	Pipe cap black 80x 40	4.000	ST
50	9.980-354.0	Profile cellular rubber black 30x6x1800m	1.000	ST
130	9.981-717.0	Riddling device manually operated new	1.000	ST
90	9.980-122.0	Scuff moulding for chassis RI	4.000	ST
40	9.974-165.0	Securing screw zinc-plated M 8x 12	16.000	ST
80	9.974-307.0	Sheet metal screw 4,8x45mm-vz DIN 7981	4.000	ST



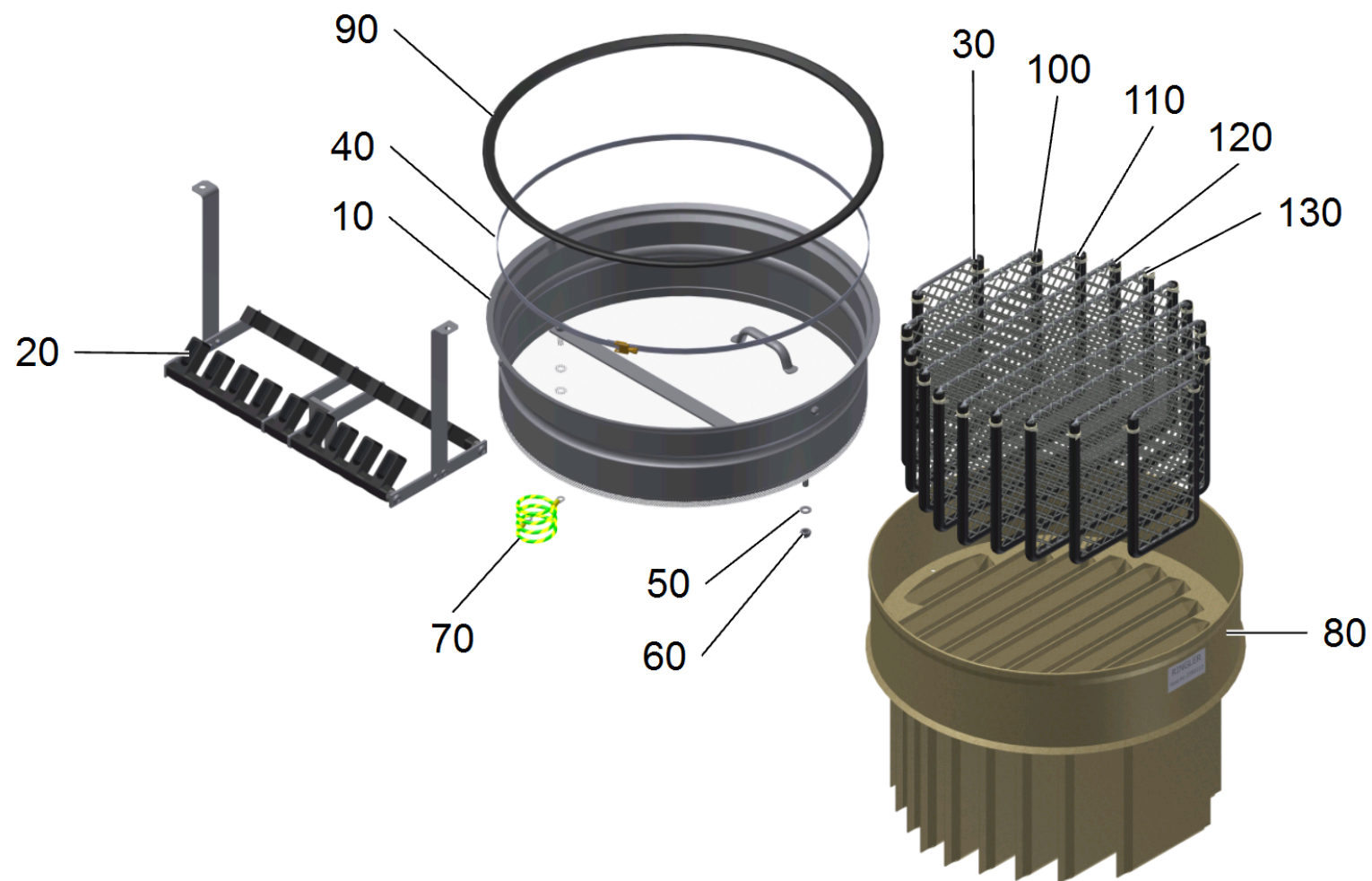
110 Fixing and lifting device complete RI 3 (9.981-649.0)

POS	Article no.	Description	Quantity	Unit
50	9.980-003.0	Hand grip black PVC, 19x10x115nn	1.000	ST
30	7.311-202.0	Hexagon nut M10-04-A2E ISO 4035	1.000	ST
40	9.981-004.0	Push rod tightener lifting device RI	1.000	ST
20	9.980-143.0	Slider lifting device	1.000	ST
10	9.980-138.0	Stud screw for lifting device	1.000	ST



130 Riddling device manually operated new (9.981-717.0)

POS	Article no.	Description	Quantity	Unit
30	9.980-270.0	Clamping hub for handle bar "neue" Handa	1.000	ST
60	7.306-500.0	Cylinder head screw M6x12-8.8-A2E DIN 6	4.000	ST
70	7.306-020.0	Cylinder head screw M 6x16-8.8-A2E DIN	1.000	ST
40	9.980-271.0	Handle bar manual vibration new	1.000	ST
10	9.980-269.0	Vibration rod curved zinc-plated ø12	1.000	ST
20	9.981-050.0	Vibrator guide for manual vibration RI	1.000	ST
50	7.312-297.0	Washer 12 -A2 ISO 7093-1	1.000	ST



20 Pocket filter 1,75m² Kat "M" (9.981-680.0)

POS	Article no.	Description	Quantity	Unit
30	9.980-185.0	Distance mat 130x240mm	2.000	ST
100	9.980-186.0	Distance mat 260x240mm	2.000	ST
110	9.980-187.0	Distance mat 335x240mm	2.000	ST
120	9.980-188.0	Distance mat 375x240mm	2.000	ST
130	9.980-189.0	Distance mat 410x240mm	2.000	ST
20	9.981-721.0	Distance rake pocket filter 1,75m ²	1.000	ST
80	9.981-681.0	Filtercloth antistatic 1,75m ² , Kat. "M"	1.000	ST
70	9.977-056.0	Grounding cable green/yellow 6,0mm ² x1000	1.000	ST
60	7.311-427.0	Hexagon nut M8 -04-A2E DIN 985	2.000	ST
10	9.980-843.0	Pocket filter insert 1,75/3,2 + 5,2m ²	1.000	ST
40	9.979-980.0	Tightening strap with lock ø60-540mm	1.000	ST
90	9.982-986.0	U-Section joint ring oil resistant ø517	1.000	ST
50	7.312-004.0	Washer 8 -200HV-A3E ISO 7090	3.000	ST

20 Distance rake pocket filter 1,75m² (9.981-721.0)

POS	Article no.	Description	Quantity	Unit
20		Distance base support f. TF 1,75/3,2/5,2	1.000	ST
60		Flat steel distance rake 1,75m ² /3,2m ² /5,	1.000	ST
9	7.311-431.0	Hexagon nut M 5-1.4305 DIN 985	4.000	ST
80		Oval head screw M 5x 10-vz ISO 7380	4.000	ST
70		Oval head screw M 8x 30-vz ISO 7380	2.000	ST
10	9.980-321.0	Plate spring for filter 1,75m ²	2.000	ST
30	9.980-264.0	Spacer long pocket filter rake	18.000	ST
50		Spacer washer for pocket filter	2.000	ST
40		Vibrator sledge for riddling	1.000	ST

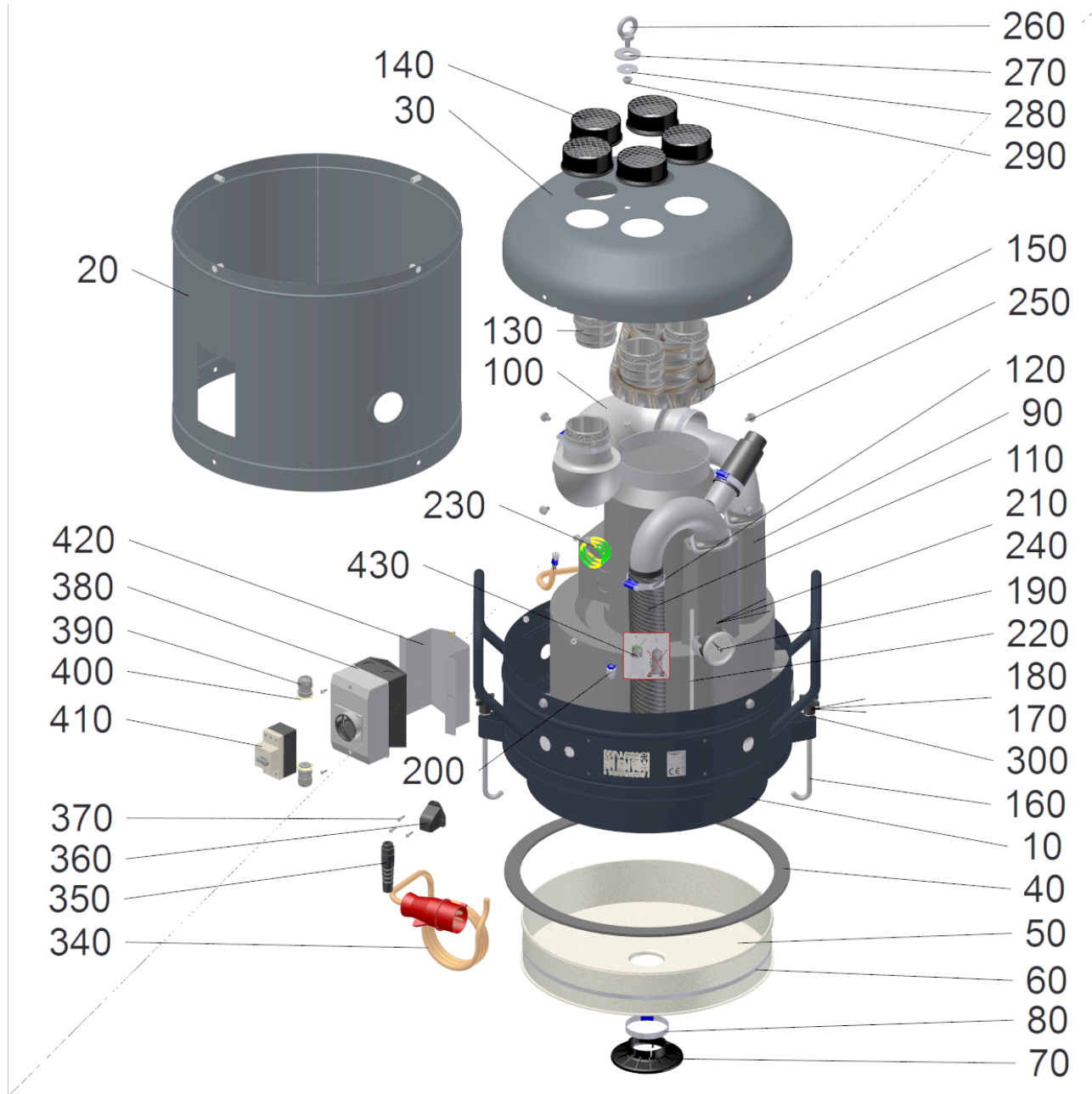


30 Storage tank IVR, 100 Liter RAL 7012 (9.986-664.0)

POS	Article no.	Description	Quantity	Unit
50	7.311-382.0	Cap nut M10-6-A3E DIN 1587	3.000	ST
20	9.981-632.0	Castor without arrester ø100mm	3.000	ST
30	7.304-415.0	Hexagonal head screw M10x25-8.8-A3E ISO	3.000	ST
60	9.974-766.0	Slider plastics black ø25mm	1.000	ST
40	7.312-005.0	Washer 10-200HV-A3E ISO 7090	3.000	ST

40 Pressure compensation tube Typ A ø25, 16 (9.982-100.0)

POS	Article no.	Description	Quantity	Unit
30	9.974-904.0	End fitting black LW 25, PVC	1.000	ST
40	9.980-684.0	Suction hose black DN 25 Typ "A"	1.600	M



50 Drive unit IVR D4 IE2 mit PKZM

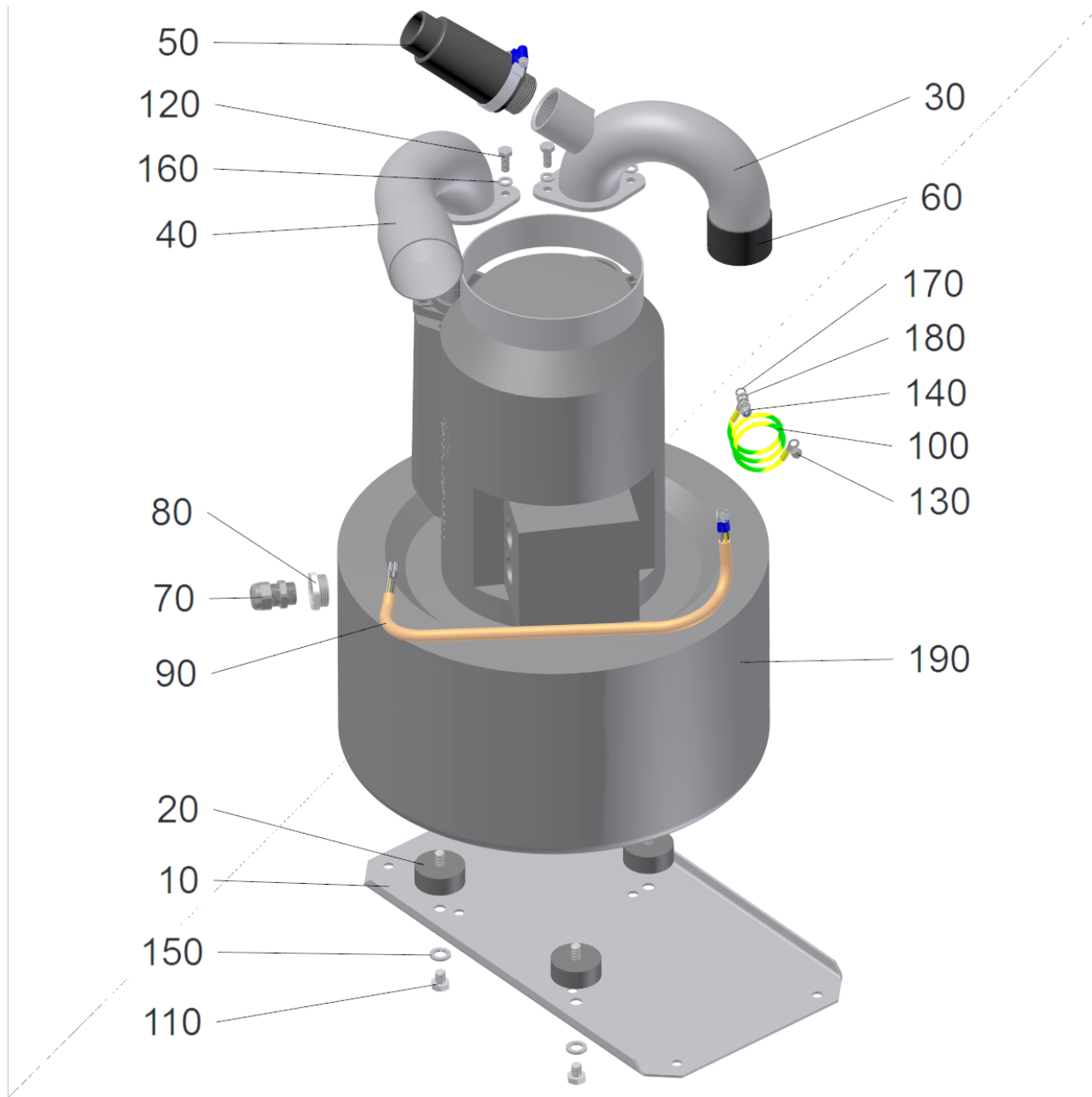
POS	Article no.	Description	Quantity	Unit
70	9.980-855.0	Baffle plate small ø137mm	1.000	ST
10	9.986-686.0	Blower base with hand grip 3-4kWRAL9011	1.000	ST
390	9.974-487.0	Cable gland black M25x1,5	2.000	ST
350	9.979-917.0	Cable gland BS-M20x1,5	1.000	ST
340	9.981-557.0	Cable with plug orange Anschlusskabel 32	1.000	ST
110	9.980-663.0	Connecting hose Wyrem ø63 x 500 mm	1.000	ST
30	9.986-704.0	Cover RI D 4,0 kW RAL 7012	1.000	ST
260	9.979-784.0	Eye screw zinc-plated M10 DIN 580	1.000	ST
50	9.980-180.0	Flat filter antistatic 0,45 m² Kat. "L"	1.000	ST
160	9.980-114.0	Grip bar closure 2240207	2.000	ST
230	9.980-919.0	Grounding cable green/yellow 6,0mm²x600m	2.000	ST
330	7.311-425.0	Hexagon nut M6 -04-A2E DIN 985	6.000	ST
290	7.311-423.0	Hexagon nut M10 -04-A2E DIN 985	1.000	ST
80	6.902-176.0	Hose clip 60-80 mm	1.000	ST
120	9.979-969.0	Hose clip zinc-plated ø50-70x12mm	2.000	ST
220	9.983-039.0	Hose pneumatic nature PUN-8x1,25-NT	0.600	M
380	9.974-674.0	Insulated housing CI-K2-PKZ0-G, IP 55	1.000	ST
150	9.976-638.0	Intake hose cooling air ø200 Typ "D"	1.000	ST
20	9.986-714.0	Intermediate ring with imprinting RAL 70	1.000	ST
360	9.986-318.0	Klapp-Flachverschraubung M20x1,5	1.000	ST
430	9.980-336.0	Label safety instructions 3-phase-curren	1.000	ST
400	9.974-538.0	Locknut SM-M25x1,5-CuZn	2.000	ST
210	9.979-426.0	L Push-in fitting QSLF-1/4-8-B	1.000	ST
410	9.974-676.0	Motor protecting switch PKZM0-10	1.000	ST
140	9.980-951.0	Nut with strainer 2 3/4"	5.000	ST
240	6.362-099.0	O-Ring seal 63,0 x 3,0-NBR 63	1.000	ST
370	9.974-071.0	Oval head screw M 4x 12-vz ISO 7380	5.000	ST
40	9.980-354.0	Profile cellular rubber black 30x6x1800m	1.000	ST
200	9.979-448.0	Push-in fitting straight 1/4" QS-G1/4-8	1.000	ST
420	9.986-643.0	Retaining plate for housing CI-2K PKZM	1.000	ST
250	9.974-165.0	Securing screw zinc-plated M 8x 12	12.000	ST
90		Side canal compressor Baugr. 4kW IE2 RI	1.000	ST
100	9.981-813.0	Silencer Ausblusschl. ø76x800mm	1.000	ST

50 Drive unit IVR D4 IE2 mit PKZM

POS	Article no.	Description	Quantity	Unit
180	9.974-740.0	Slider plastics black ø8mm	2.000	ST
170	6.321-133.0	Star handle	2.000	ST
130	9.980-052.0	Threaded part for blow off 2 3/4"	4.000	ST
60	9.979-980.0	Tightening strap with lock ø60-540mm	1.000	ST
310	7.312-167.0	Toothed lock washer A6,4-FSt-A3E DIN 67	4.000	ST
190	9.981-675.0	Vacuum gauge 0-400mbar	1.000	ST
320	7.312-003.0	Washer 6 -200HV-A3E ISO 7090	10.000	ST
300	7.312-005.0	Washer 10-200HV-A3E ISO 7090	2.000	ST
270	7.312-050.0	Washer 16-200HV-A2E ISO7093-1	1.000	ST
280	9.979-807.0	Washer ø40x10,5x1,5mm-vz DIN 9021	1.000	ST

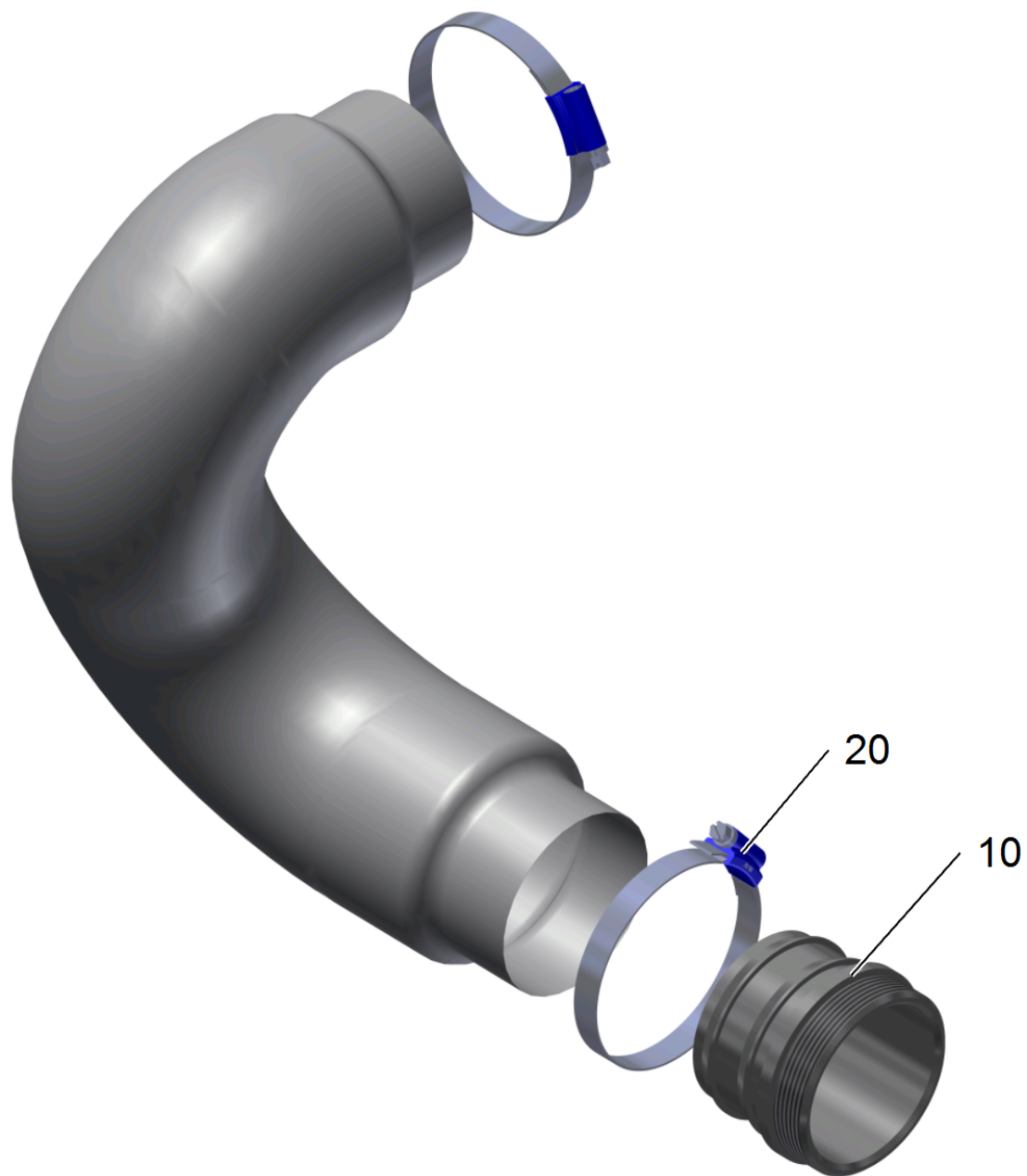
10 Blower base with hand grip 3-4kWRAL9011 (9.986-686.0)

POS	Article no.	Description	Quantity	Unit
10	9.980-328.0	Blower base with hand grip 3-4kW	1.000	ST



90 Side canal compressor Baugr. 4kW IE2 RI

POS	Article no.	Description	Quantity	Unit
10		Bracket drive unit powder-coated 1,5-4kW	1.000	ST
90	9.979-886.0	Cable 4x2,50mm ² , mit 4-er Ringösen	1.000	ST
70	9.974-487.0	Cable gland black M25x1,5	1.000	ST
100	9.980-919.0	Grounding cable green/yellow 6,0mm ² x600m	1.000	ST
120	7.304-397.0	Hexagonal head screw M8x20-8.8-A2E ISO	4.000	ST
110	9.974-141.0	Hexagonal head screw M10x 12-8.8 DIN 93	3.000	ST
140	7.311-425.0	Hexagon nut M6 -04-A2E DIN 985	1.000	ST
60	9.980-369.0	Piece of tube seal DN 51x40mm	1.000	ST
30	9.981-318.0	Pipe bend with oval flange 180°	1.000	ST
40	9.977-612.0	Pipe bend with oval flange D3,0	1.000	ST
80	9.974-488.0	Reduction black M32/25	1.000	ST
20	9.980-361.0	Rubber metal buffer Typ B, ø50, h=20mm	3.000	ST
130	9.974-066.0	Securing screw zinc-plated M 5x 10	1.000	ST
190	9.985-515.0	Side canal compressor IE2 4,0kW 400V50Hz	1.000	ST
160	9.974-279.0	Spring washer A 8,1-vz DIN 127	4.000	ST
150	9.974-282.0	Spring washer A 10-vz DIN 127	3.000	ST
170	7.312-167.0	Toothed lock washer A6,4-FSt-A3E DIN 67	1.000	ST
50	9.981-043.0	Vacuum limiting valve 1 1/4" 220mbar	1.000	ST
180	7.312-003.0	Washer 6 -200HV-A3E ISO 7090	2.000	ST



100 Silencer Ausblusschl. ø76x800mm (9.981-813.0)

POS	Article no.	Description	Quantity	Unit
20	9.979-971.0	Hose clip zinc-plated ø70-90x12mm	2.000	ST
10	9.980-052.0	Threaded part for blow off 2 3/4"	1.000	ST