

Spare parts list

(1.034-101.0) K 720MXS-WB *EU

Table of contents

K 720MXS-WB *EU (1.034-101.0)	3
Spare parts list K 720 MXS *EUR (5.958-110.0)	4
10 Individual parts	5
11 Individual parts cover	6
12 Hose reel	8
13 Hose reel	10
20 Pump set	12
21 Cylinder head	13
3 Valve pin complete (4.584-022.0)	15
4 Nozzle insert (4.769-032.0)	17
22 Suction side	19
7 Valve (3 Stück) (2.884-916.0)	21
23 Delivery side	23
8 Valve (3 Stück) (2.884-916.0)	25
9 Drain plug only for replacement (4.132-007.0)	27
24 Piston	29
30 Motor	31
31 Ventilation	32
32 Transmission	34
40 Accessories	36
41 Hand trigger gun	37
42 Hand trigger gun	39
43 Hand trigger gun	41
44 Hand trigger gun	43
G 160 Q pistol Quick Connect (2.642-172.0)	45
2 High pressure hose 16MPa/9m 60°C, verp. (2.641-706.0)	47
45 Jet pipe	49
50 Electric control box	51

K 720MXS-WB *EU (1.034-101.0)

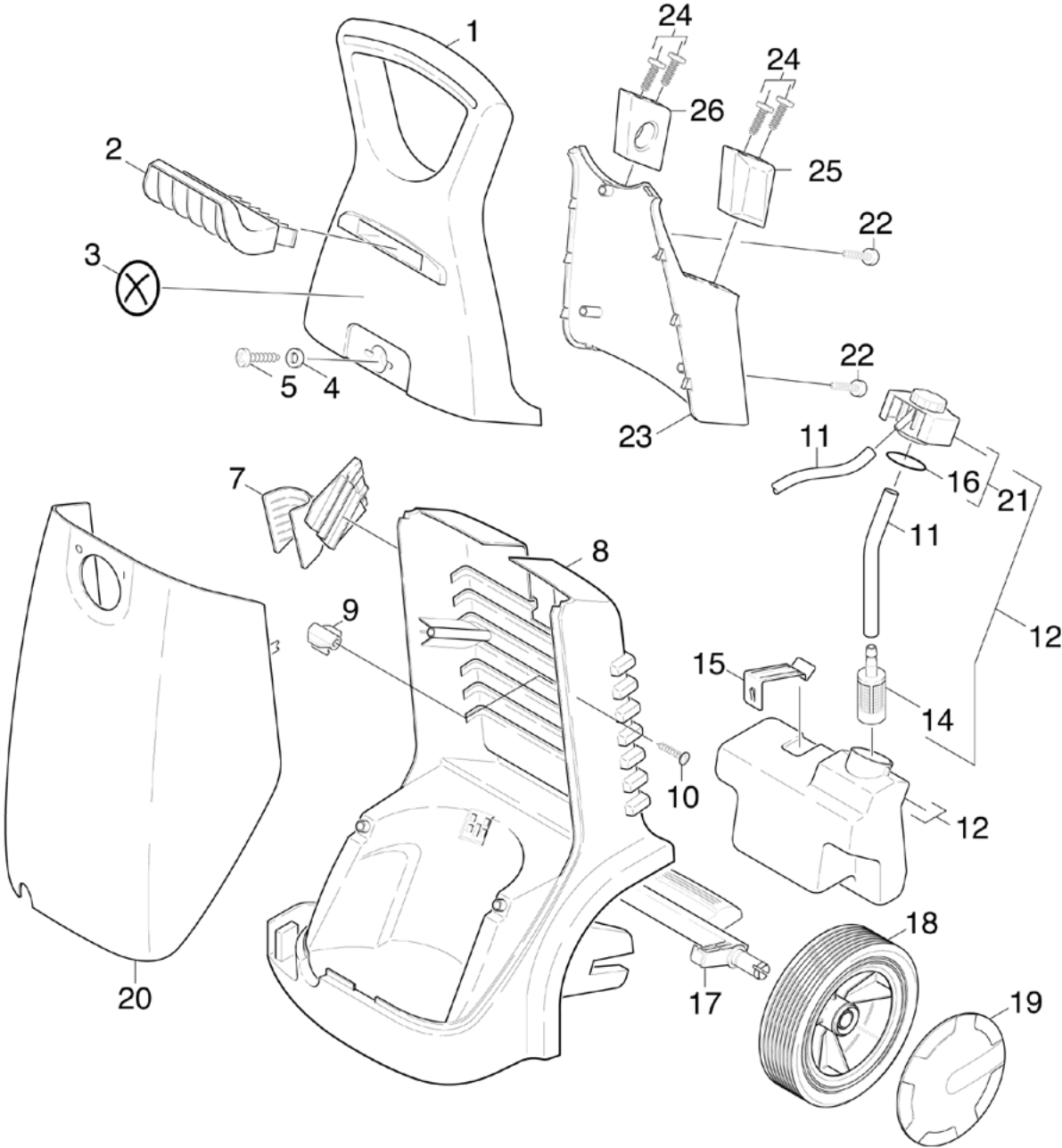
POS	Article no.	Description	Quantity	Unit
0	5.958-110.0	Spare parts list K 720 MXS *EUR	1.000	ST
	Item text2: 10341010			

Spare parts list K 720 MXS *EUR (5.958-110.0)

POS	Description	Quantity	Unit
40	Accessories	1.000	ST
50	Electric control box	1.000	ST
10	Individual parts	1.000	ST
30	Motor	1.000	ST
20	Pump set	1.000	ST

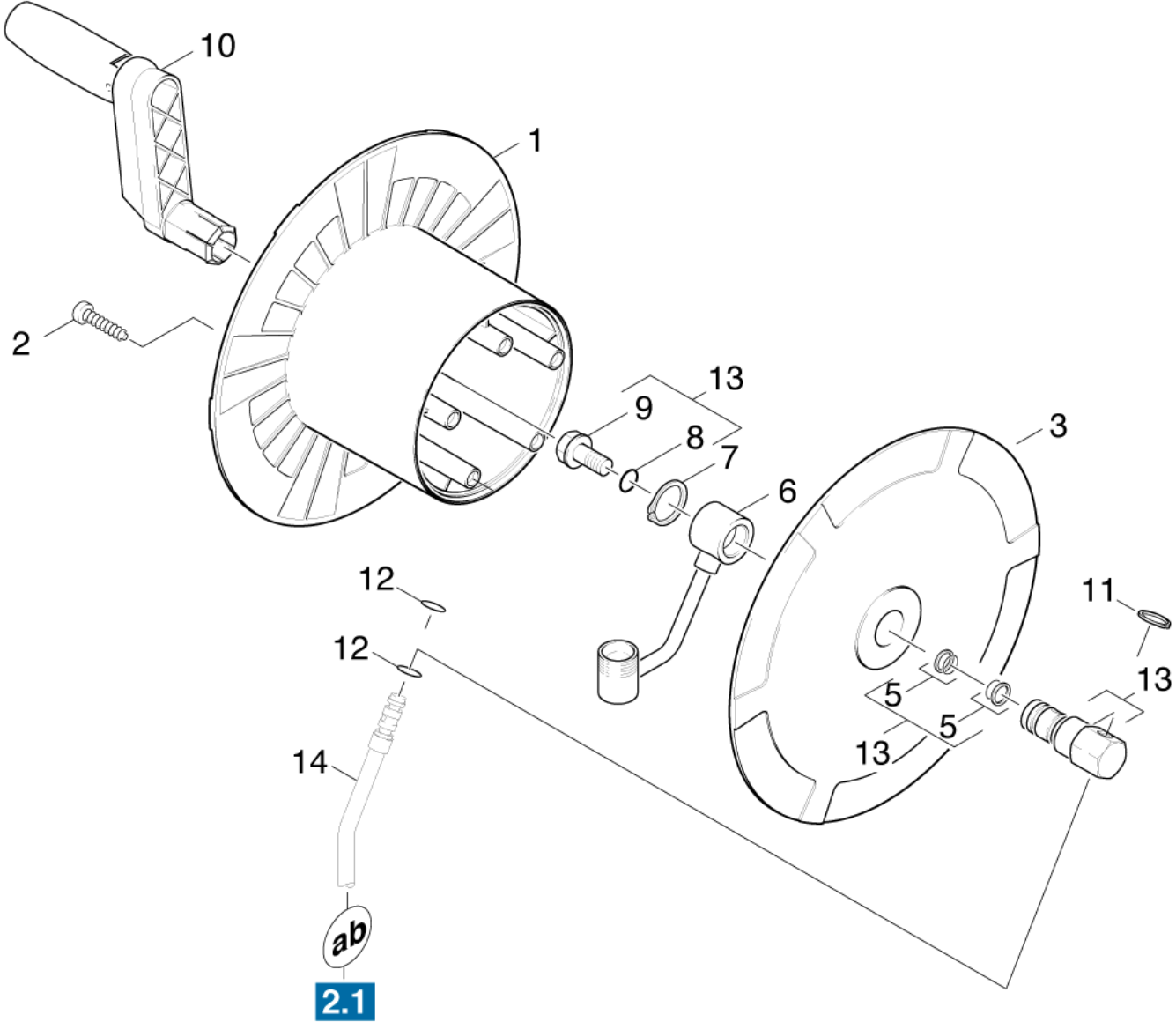
10 Individual parts

POS	Description	Quantity	Unit	Remark
13	Hose reel	1.000	ST	VERSION 2
12	Hose reel	1.000	ST	VERSION 1
11	Individual parts cover	1.000	ST	



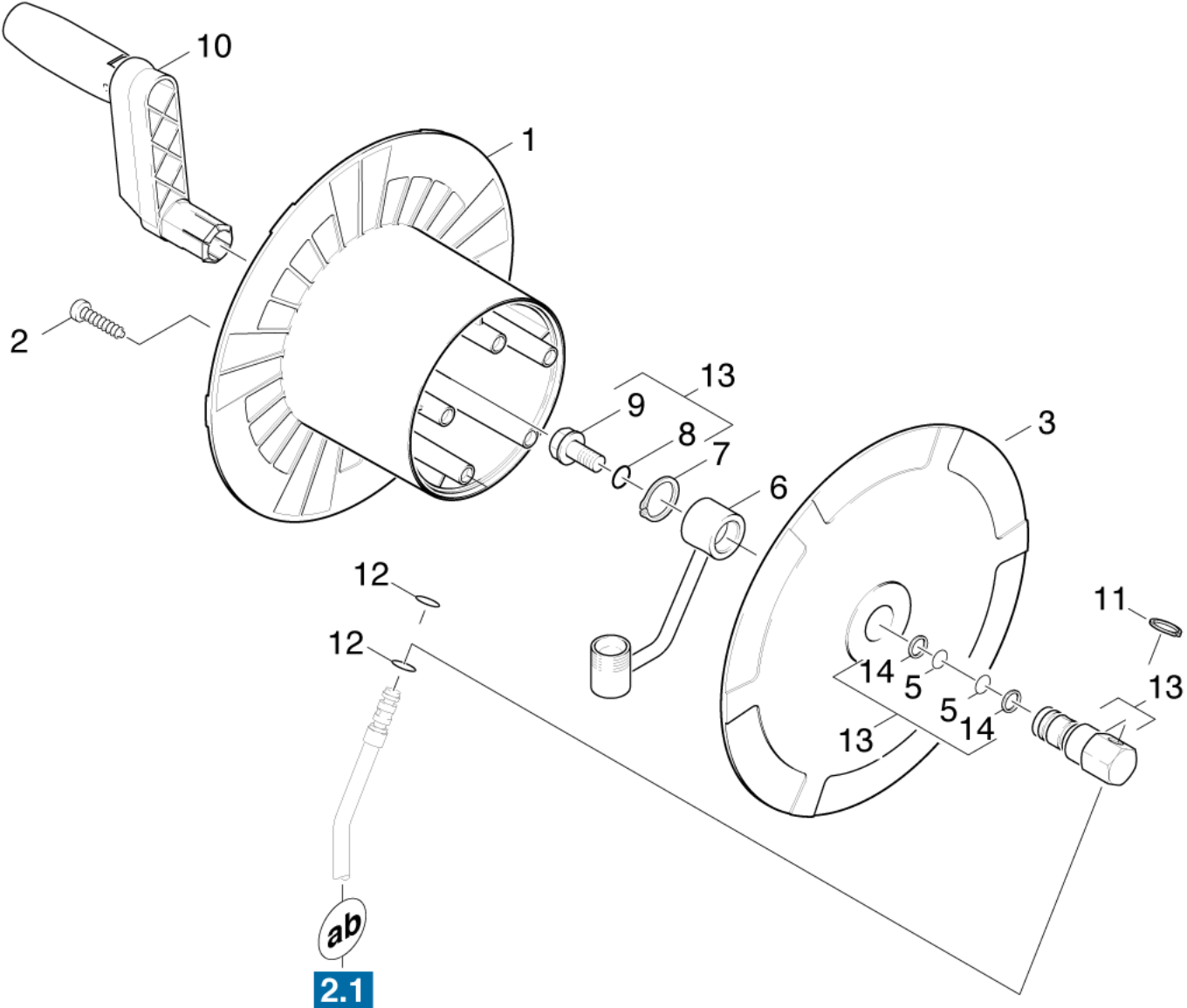
11 Individual parts cover

POS	Article no.	Description	Quantity	Unit	Foot note text
17	5.105-191.0	Axle	1.000	ST	
21	4.063-224.0	Cap of a tank only for replacement	1.000	ST	
20	5.066-944.0	Cover	1.000	ST	
25	5.063-793.0	Cover left	1.000	ST	
26	5.063-792.0	Cover right	1.000	ST	
14	5.731-652.0	Filter with weight	1.000	ST	
1	5.321-463.0	Handhold	1.000	ST	
23	5.044-081.0	Holder for hose reel	1.000	ST	
2	5.042-840.0	Holder hose	1.000	ST	
7	4.042-839.0	Holder pistol complete	1.000	ST	
11	6.388-216.0	Hose DN 5	1.000	M	TO ORDER AS CUT GOODS
8	5.605-224.0	Housing chassis	1.000	ST	
9	5.031-087.0	Moulded part	2.000	ST	
16	6.362-526.0	O-Ring seal 29,1 X 2,55 -NBR 70	1.000	ST	
15	5.337-026.0	Plate spring	1.000	ST	
24	6.303-150.0	Screw 4,2x 22	4.000	ST	
10	6.303-125.0	Screw 5x20-Sonder In6Rd+Spitze	2.000	ST	
22	6.303-200.0	Screw 5x25-IN6RD	6.000	ST	
5	7.306-090.0	Screw M6x16 -8.8-R3R (In6Rd)	1.000	ST	
12	4.071-088.0	Tank complete	1.000	ST	
3	5.387-620.0	Warning sticker-Prevent from freezing	1.000	ST	
4	7.312-026.0	Washer 6 -A2 ISO 7090	1.000	ST	
19	6.435-197.0	Wheel cap zinc yellow	2.000	ST	
18	6.435-196.0	Wheel D 180	2.000	ST	



12 Hose reel

POS	Article no.	Description	Quantity	Unit
10	4.481-169.0	Crank complete	1.000	ST
9	7.304-027.0	Hexagonal head screw M8x12-8.8-P2E EN 1	1.000	ST
7	7.343-018.0	Locking ring 18x1,2-Rf-St DIN 471	1.000	ST
11	7.343-300.0	Lock washer 7-A2 DIN 6799	1.000	ST
3	5.031-455.0	Moulded part	1.000	ST
1	5.031-454.0	Moulded part	1.000	ST
12	6.362-176.0	O-Ring seal 6,07x1,78	2.000	ST
8	6.362-101.0	O-Ring seal 8 X 2	1.000	ST
5	4.363-693.0	O-Ring seal kpl. -nur fuer Ersatz-	2.000	ST
13	4.108-001.0	Pin complete only for replacement	1.000	ST
14	4.421-563.0	Pipelines complete K 720 MXS	1.000	ST
2	6.303-150.0	Screw 4,2x 22	5.000	ST
6	4.408-047.0	Tube elbow	1.000	ST

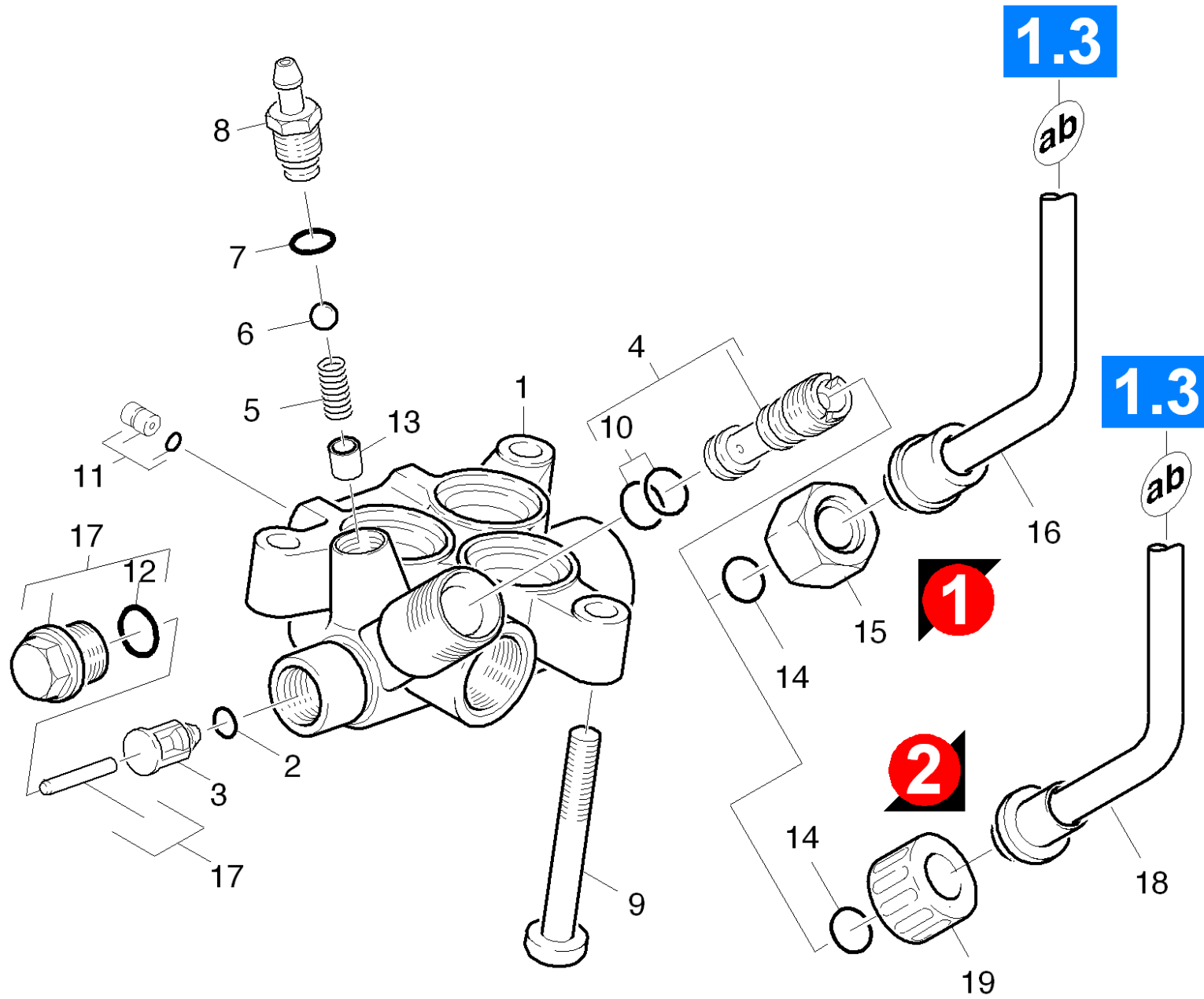


13 Hose reel

POS	Article no.	Description	Quantity	Unit
10	4.481-169.0	Crank complete	1.000	ST
9	7.304-027.0	Hexagonal head screw M8x12-8.8-P2E EN 1	1.000	ST
7	7.343-018.0	Locking ring 18x1,2-Rf-St DIN 471	1.000	ST
11	7.343-300.0	Lock washer 7-A2 DIN 6799	1.000	ST
3	5.031-455.0	Moulded part	1.000	ST
1	5.031-454.0	Moulded part	1.000	ST
12	6.362-176.0	O-Ring seal 6,07x1,78	2.000	ST
8	6.362-101.0	O-Ring seal 8 X 2	1.000	ST
5	6.362-643.0	O-Ring seal 14,0 X 1,78-NBR 80	2.000	ST
13	4.108-001.0	Pin complete only for replacement	1.000	ST
2	6.303-150.0	Screw 4,2x 22	5.000	ST
14	6.365-433.0	Supportring	2.000	ST
6	4.408-047.0	Tube elbow	1.000	ST

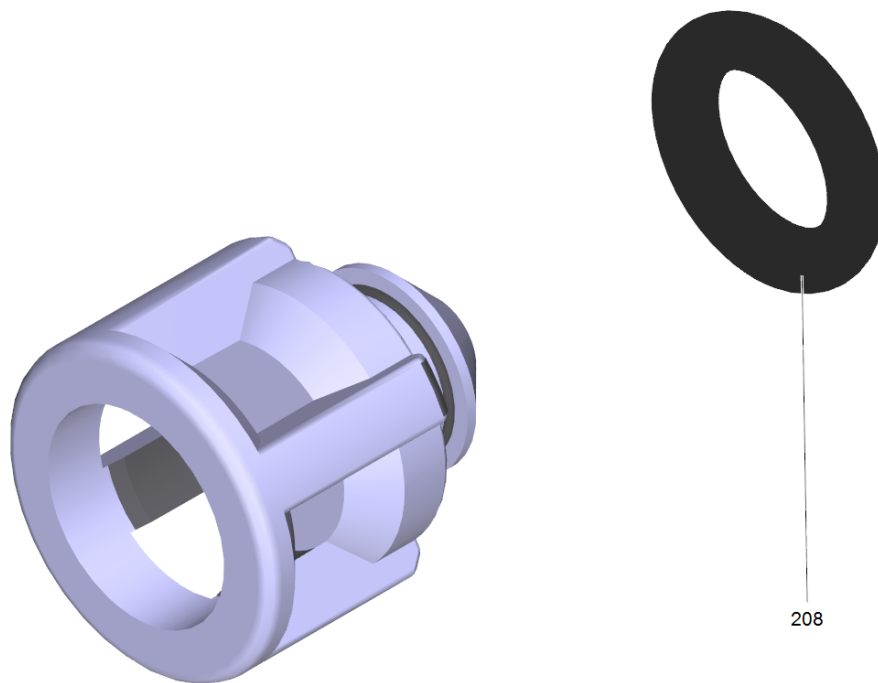
20 Pump set

POS	Description	Quantity	Unit
21	Cylinder head	1.000	ST
23	Delivery side	1.000	ST
24	Piston	1.000	ST
22	Suction side	1.000	ST



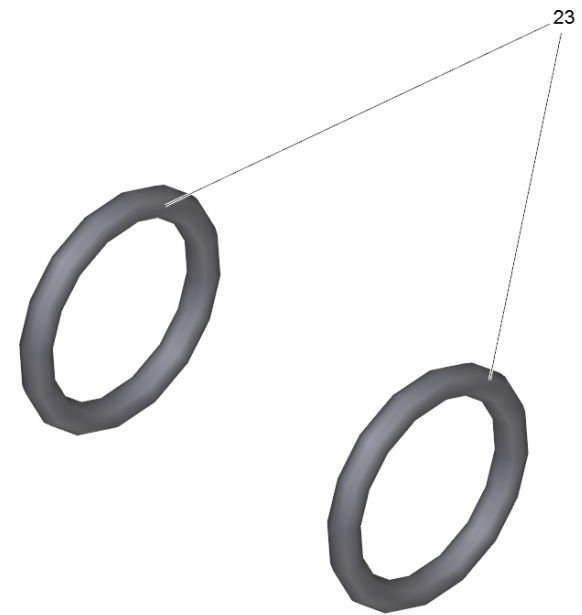
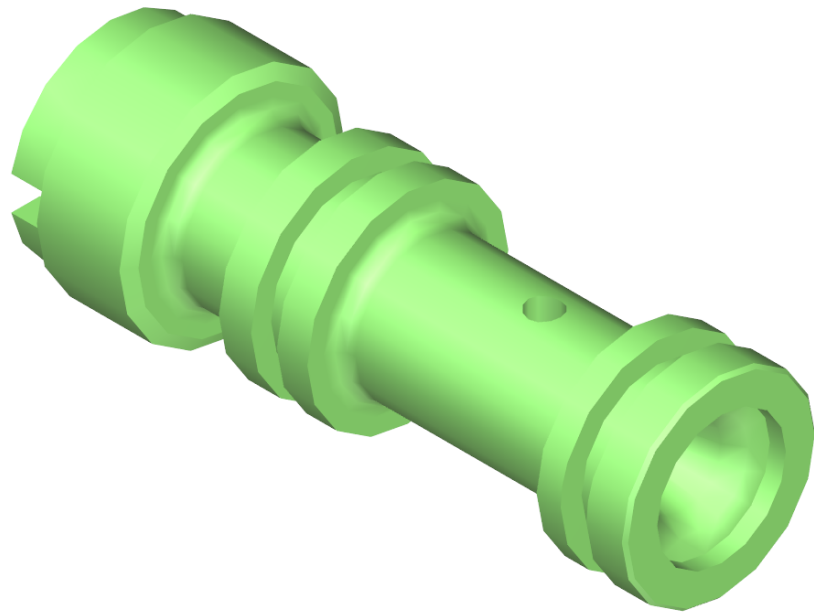
21 Cylinder head

POS	Article no.	Description	Quantity	Unit	Remark
1	5.550-269.0	Cylinder head KAERCHER 720 MXS	1.000	ST	
5	5.332-258.0	Helical spring	1.000	ST	
8	5.443-367.0	Nipple chemistry	1.000	ST	
4	4.769-032.0	Nozzle insert	1.000	ST	
14	2.880-154.0	O-Ring kit	1.000	ST	
2	6.363-613.0	O-Ring seal 4 x 2 -NBR90	1.000	ST	
7	6.362-113.0	O-Ring seal 6,0 x 2,0 NBR 70	1.000	ST	
10	6.362-384.0	O-Ring seal 9x1,5 - NBR 70	2.000	ST	
12	6.362-480.0	O-Ring seal 12,42x 1,78	1.000	ST	
18	4.421-571.0	Pipelines complete	1.000	ST	VERSION 2
16	4.421-563.0	Pipelines complete K 720 MXS	1.000	ST	VERSION 1
9	7.306-148.0	Screw M8x60 -8.8-R3R (In6Rd)	3.000	ST	
17	4.411-006.0	Screw plug	1.000	ST	
13	5.110-714.0	Sleeve	1.000	ST	
6	7.401-908.0	Sphere 7 G300 -1.4301 DIN 5401	1.000	ST	
11	4.030-114.0	Throttle complete	1.000	ST	
19	5.311-205.0	Union nut	1.000	ST	VERSION 2
15	7.383-004.0	Union nut B1 LL15 -Ms DIN3870	1.000	ST	VERSION 1
3	4.584-022.0	Valve pin complete	1.000	ST	



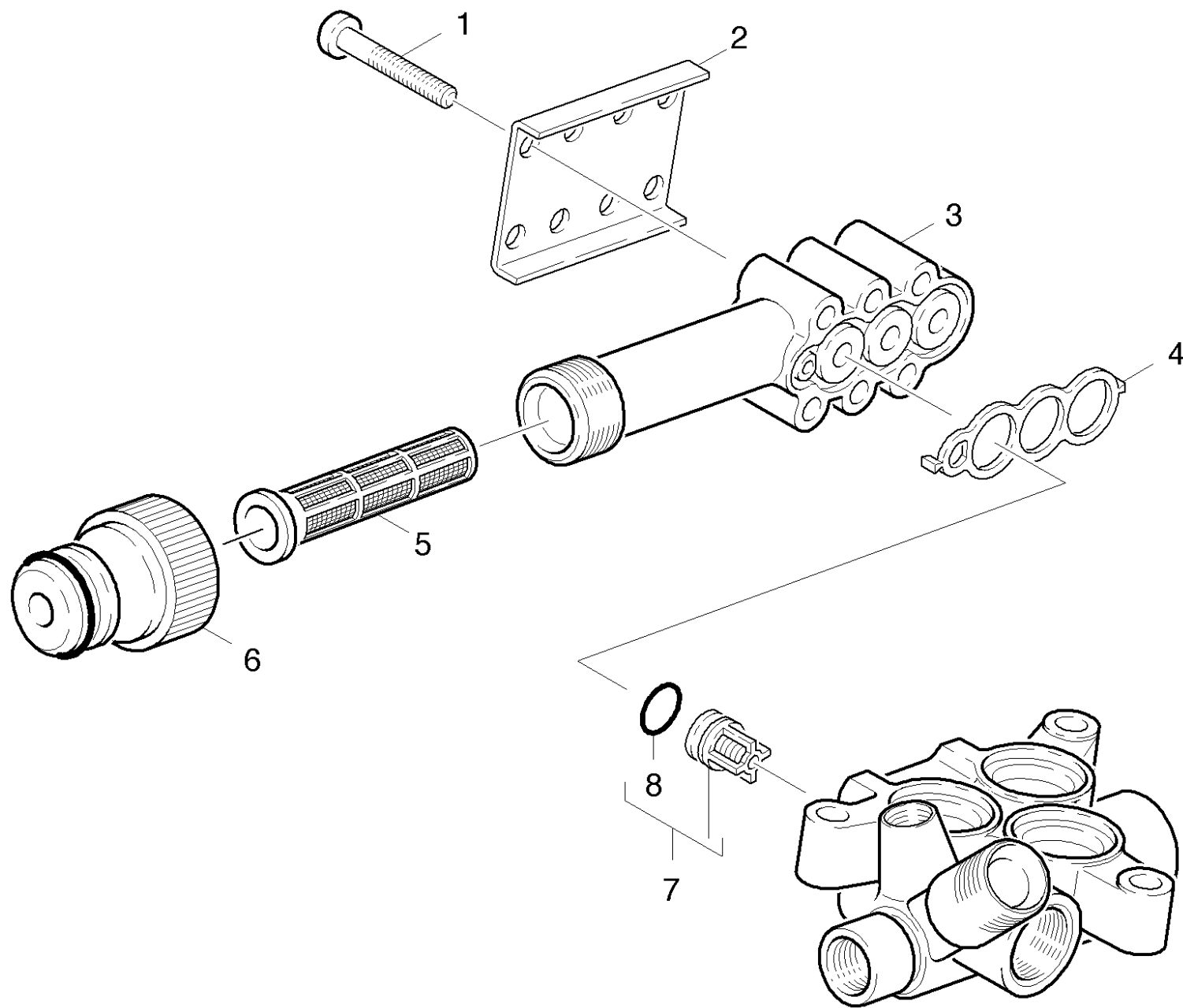
3 Valve pin complete (4.584-022.0)

POS	Article no.	Description	Quantity	Unit
208	6.363-613.0	O-Ring seal 4 x 2 -NBR90	1.000	ST



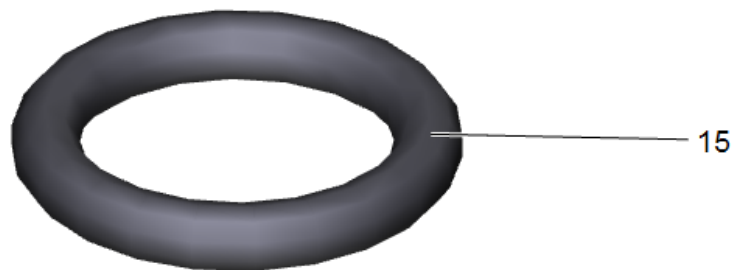
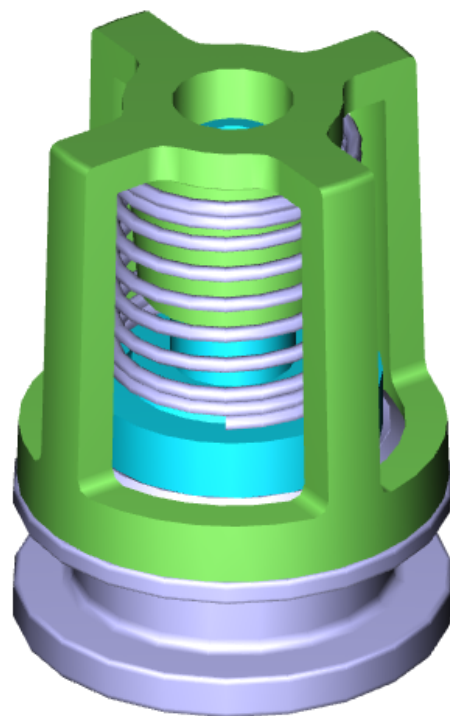
4 Nozzle insert (4.769-032.0)

POS	Article no.	Description	Quantity	Unit
145		Grease	0.010	G
23	6.362-384.0	O-Ring seal 9x1,5 - NBR 70	2.000	ST



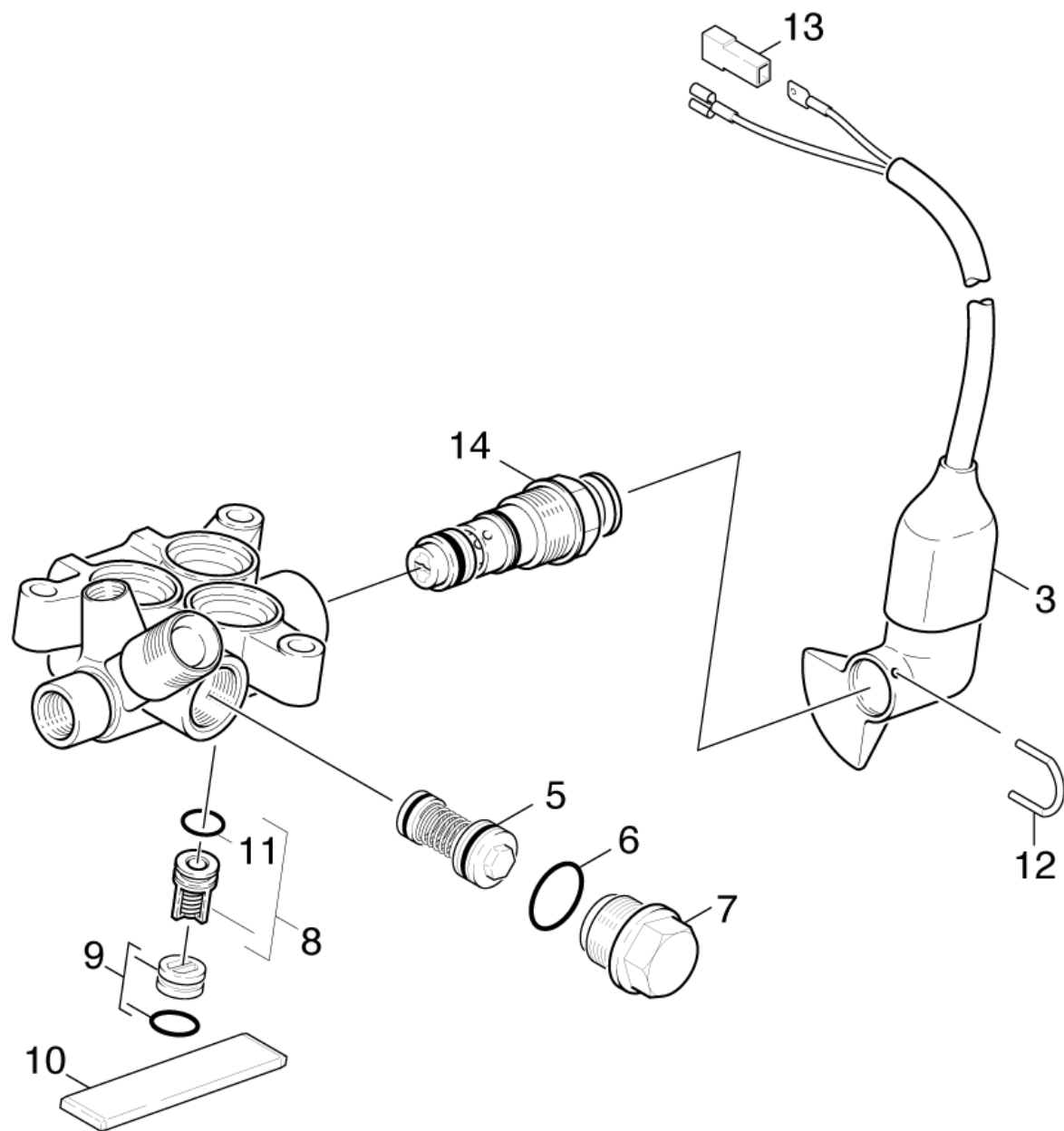
22 Suction side

POS	Article no.	Description	Quantity	Unit	Foot note text
6	6.465-031.0	Connection 3/4	1.000	ST	
5	5.731-620.0	Fine filter	1.000	ST	
8	6.362-077.0	O-Ring seal 10 x 2,2 NBR 70	3.000	ST	
2	5.003-068.0	Plate suction cover	1.000	ST	
4	5.365-182.0	Profile gasket	1.000	ST	
1	7.306-129.0	Screw M6x40 -8.8-R3R (In6Rd)	4.000	ST	
3	5.063-616.0	Suction cover	1.000	ST	
7	2.884-916.0	Valve (3 Stück)	1.000	ST	3 QTY.



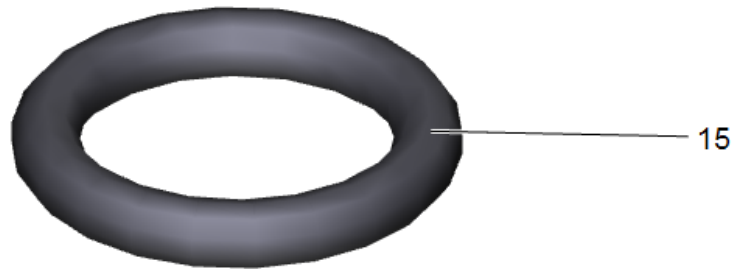
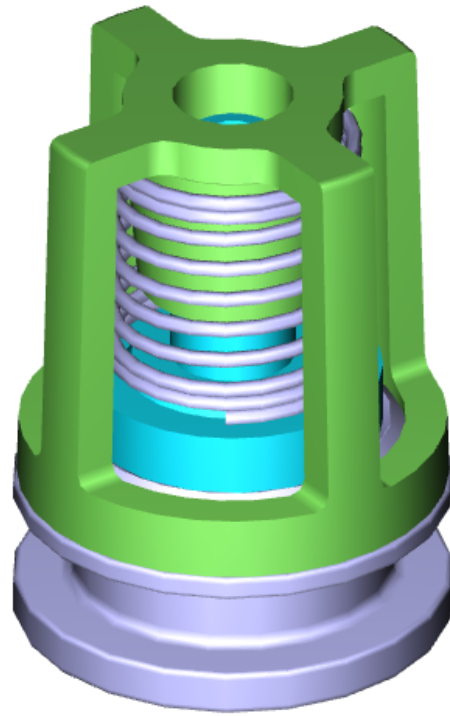
7 Valve (3 Stück) (2.884-916.0)

POS	Article no.	Description	Quantity	Unit
15	6.362-077.0	O-Ring seal 10 x 2,2 NBR 70	1.000	ST



23 Delivery side

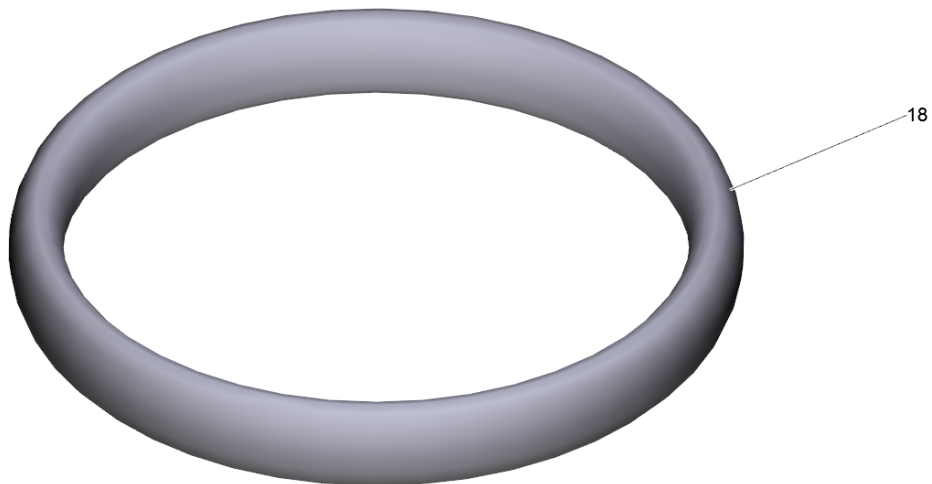
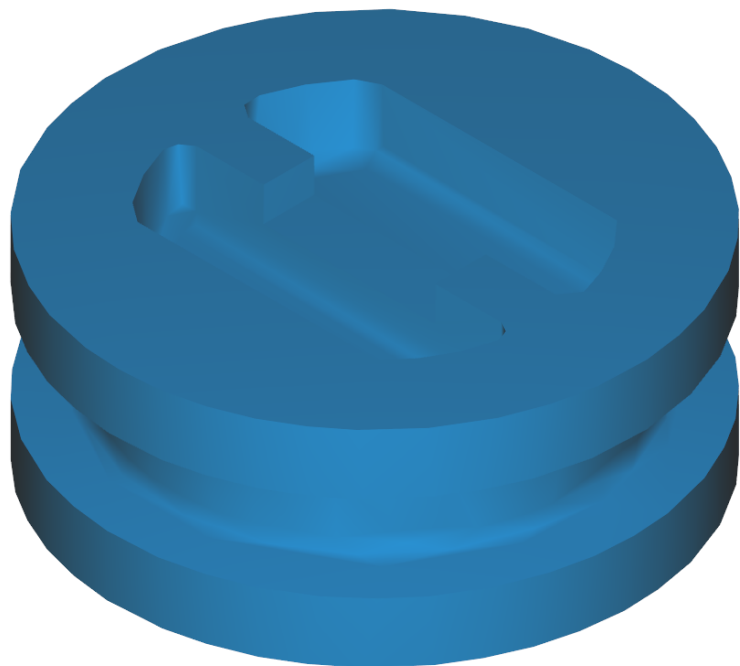
POS	Article no.	Description	Quantity	Unit	Serial number from	Serial number to	Foot note text
14	4.553-268.0	Control piston complete	1.000	ST			
9	4.132-007.0	Drain plug only for replacement	3.000	ST			
5	4.580-365.0	Excess-current	1.000	ST	356136		
5	4.580-274.0	Excess-current only for replacement	4.000	ST		356135	
12	5.037-101.0	Hook	1.000	ST			
13	6.647-579.0	Insulation sheath	1.000	ST			
11	6.362-077.0	O-Ring seal 10 x 2,2 NBR 70	3.000	ST			
6	6.362-903.0	O-Ring seal 16,0 X 2,0	1.000	ST			
10	5.003-062.0	Plate	1.000	ST			
100	2.883-895.0	Pump set K720MX/-S	1.000	ST			
	Item text1: / 4.580-365.0						
7	5.411-120.0	Screw plug	1.000	ST			
100	7.777-999.0	Stockpiling discontinued	1.000	ST			
	Item text1: / 4.580-274.0						
3	4.744-092.0	Switch complete only for replacement	1.000	ST			
8	2.884-916.0	Valve (3 Stück)	1.000	ST			SET CONSITSTS OF 3X VALVE



15

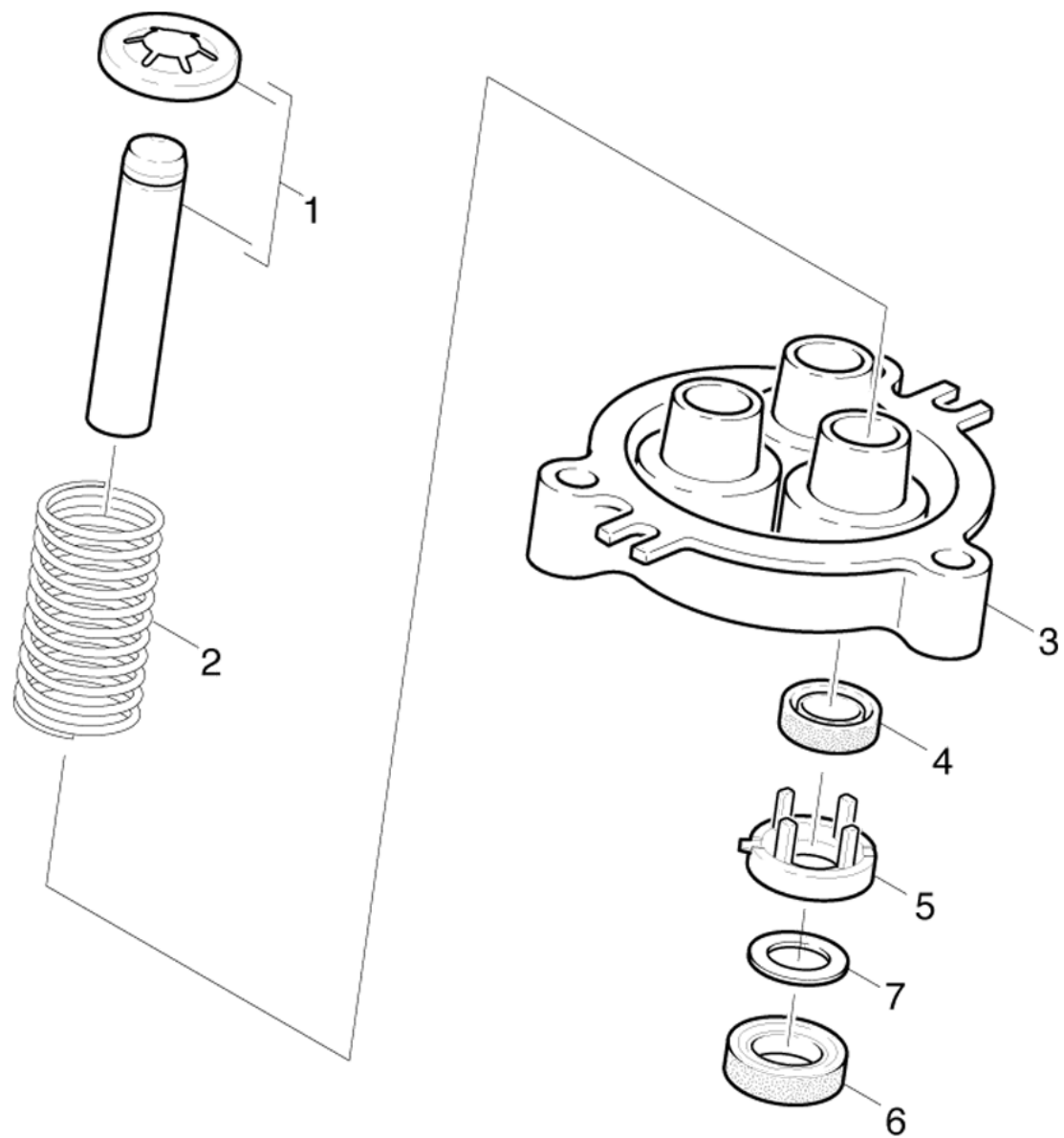
8 Valve (3 Stück) (2.884-916.0)

POS	Article no.	Description	Quantity	Unit
15	6.362-077.0	O-Ring seal 10 x 2,2 NBR 70	1.000	ST



9 Drain plug only for replacement (4.132-007.0)

POS	Article no.	Description	Quantity	Unit
18	6.362-458.0	O-Ring seal 11,0x2,0-NBR 70	1.000	ST

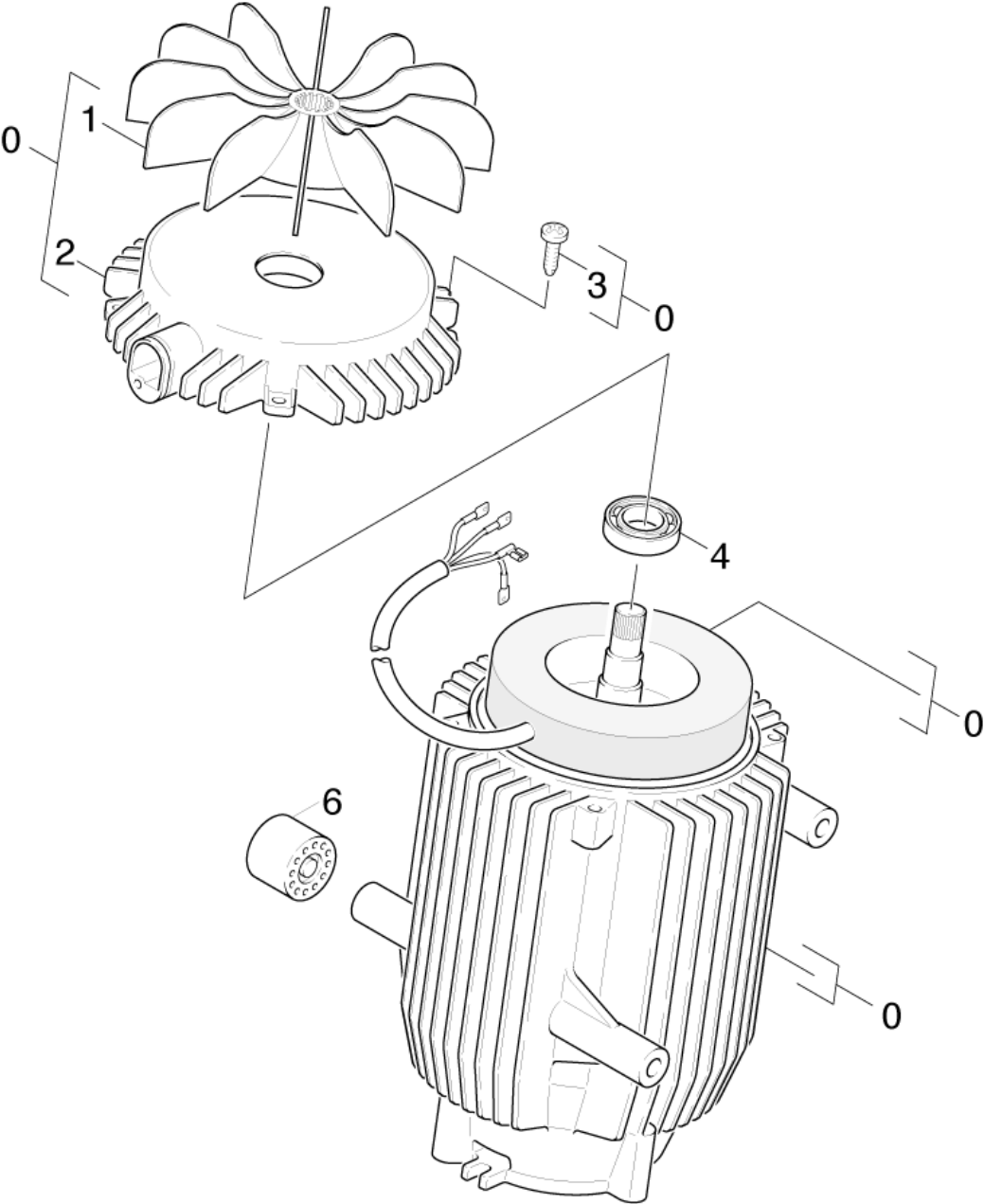


24 Piston

POS	Article no.	Description	Quantity	Unit
6	6.365-341.0	Grooved ring	3.000	ST
4	6.365-340.0	Grooved ring 14X22X5/7	3.000	ST
2	5.332-251.0	Helical spring	3.000	ST
3	5.060-499.0	Housing thrust guidance	1.000	ST
1	4.553-153.0	Piston complete	3.000	ST
7	5.115-465.0	Washer	3.000	ST
5	5.115-687.0	Washer	3.000	ST

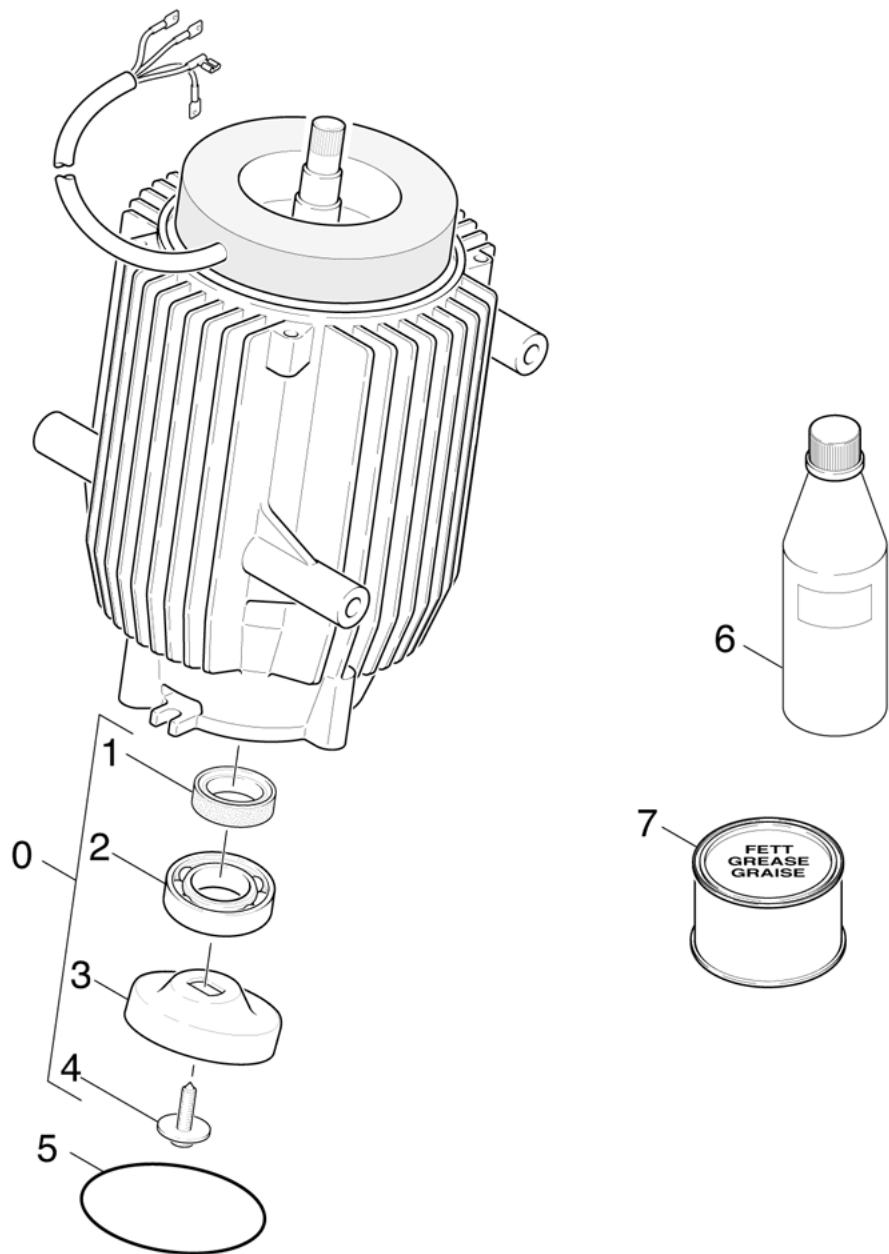
30 Motor

POS	Description	Quantity	Unit
32	Transmission	1.000	ST
31	Ventilation	1.000	ST



31 Ventilation

POS	Article no.	Description	Quantity	Unit
4	7.401-105.0	Ball bearing 6003-2RS Wälzl.St DIN 625	1.000	ST
2	5.093-041.0	Bearing cover B	1.000	ST
1	5.600-060.0	Blower wheel	1.000	ST
6	5.767-005.0	Rubber buffer	4.000	ST
3	6.303-320.0	Screw M 5x 20-St-R2R	4.000	ST
0	7.777-999.0	Stockpiling discontinued	1.000	ST

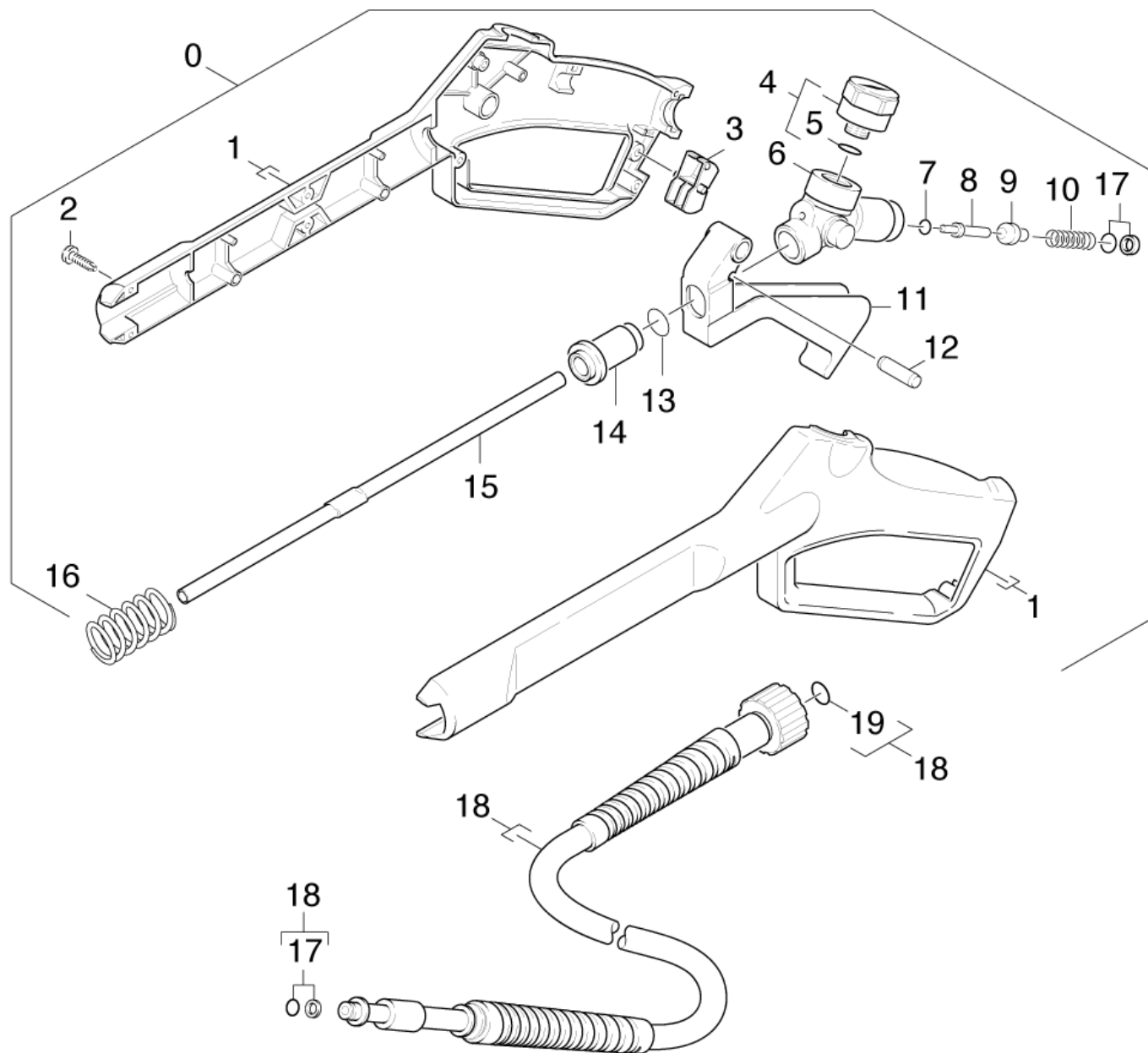


32 Transmission

POS	Article no.	Description	Quantity	Unit
2	7.401-036.0	Ball bearing 7303B-TN-WAELZLAGST DIN 62	1.000	ST
4	6.304-048.0	Cylinder head screw M6x19	1.000	ST
6	6.288-050.0	Engine oil 1L	1.000	ST
5	6.362-471.0	O-Ring seal 80,0 X 3,0 -NBR 70	1.000	ST
1	6.367-047.0	Rotary shaft seal AS 25X35X7	1.000	ST
0	7.777-999.0	Stockpiling discontinued	1.000	ST
7	6.288-095.0	Viscous oil	1.000	ST
3	6.401-256.0	Wobble plate	1.000	ST

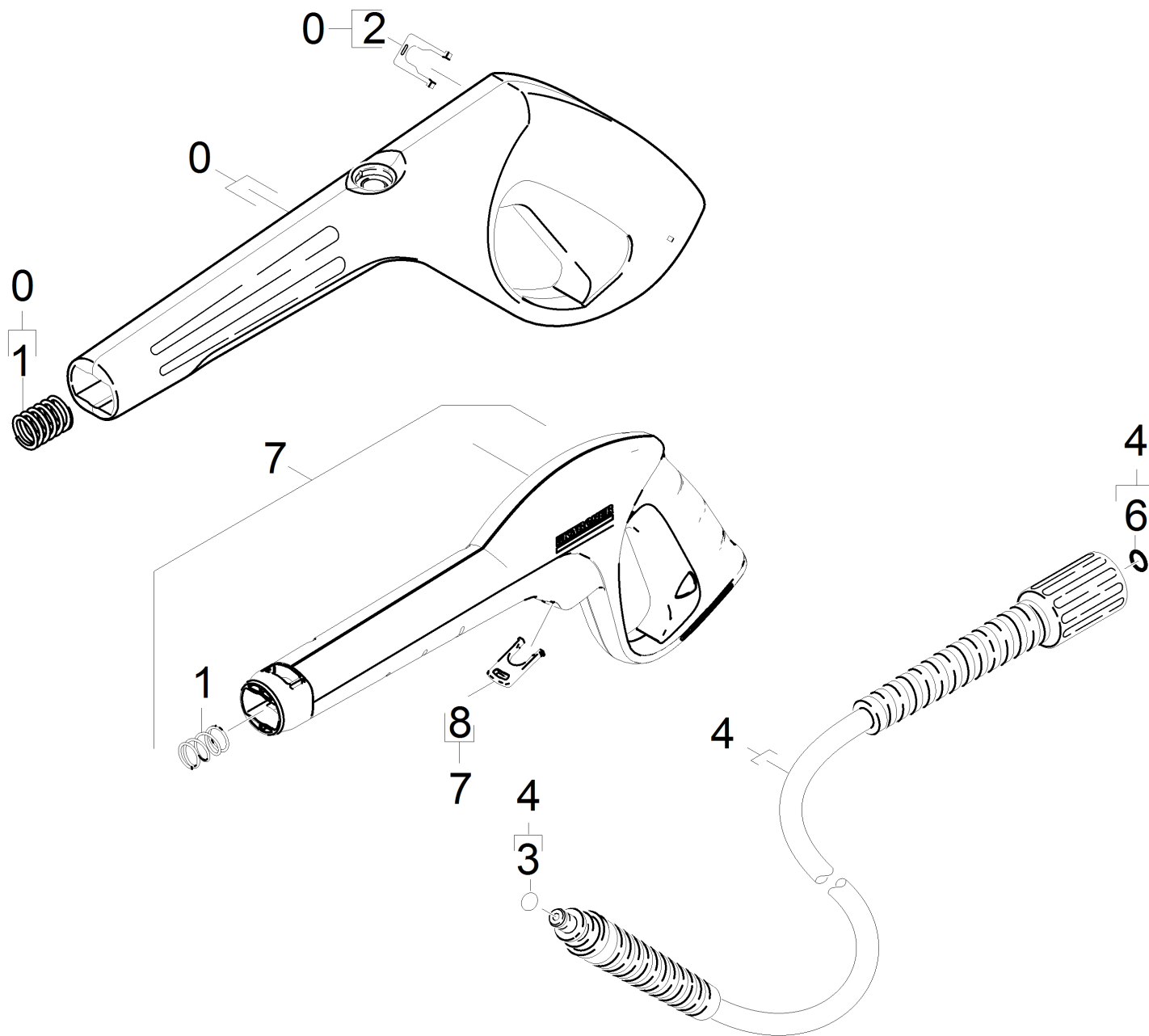
40 Accessories

POS	Description	Quantity	Unit	Remark
44	Hand trigger gun	1.000	ST	VERSION 4
41	Hand trigger gun	1.000	ST	VERSION 1
43	Hand trigger gun	1.000	ST	VERSION 3
42	Hand trigger gun	1.000	ST	VERSION 2
45	Jet pipe	1.000	ST	



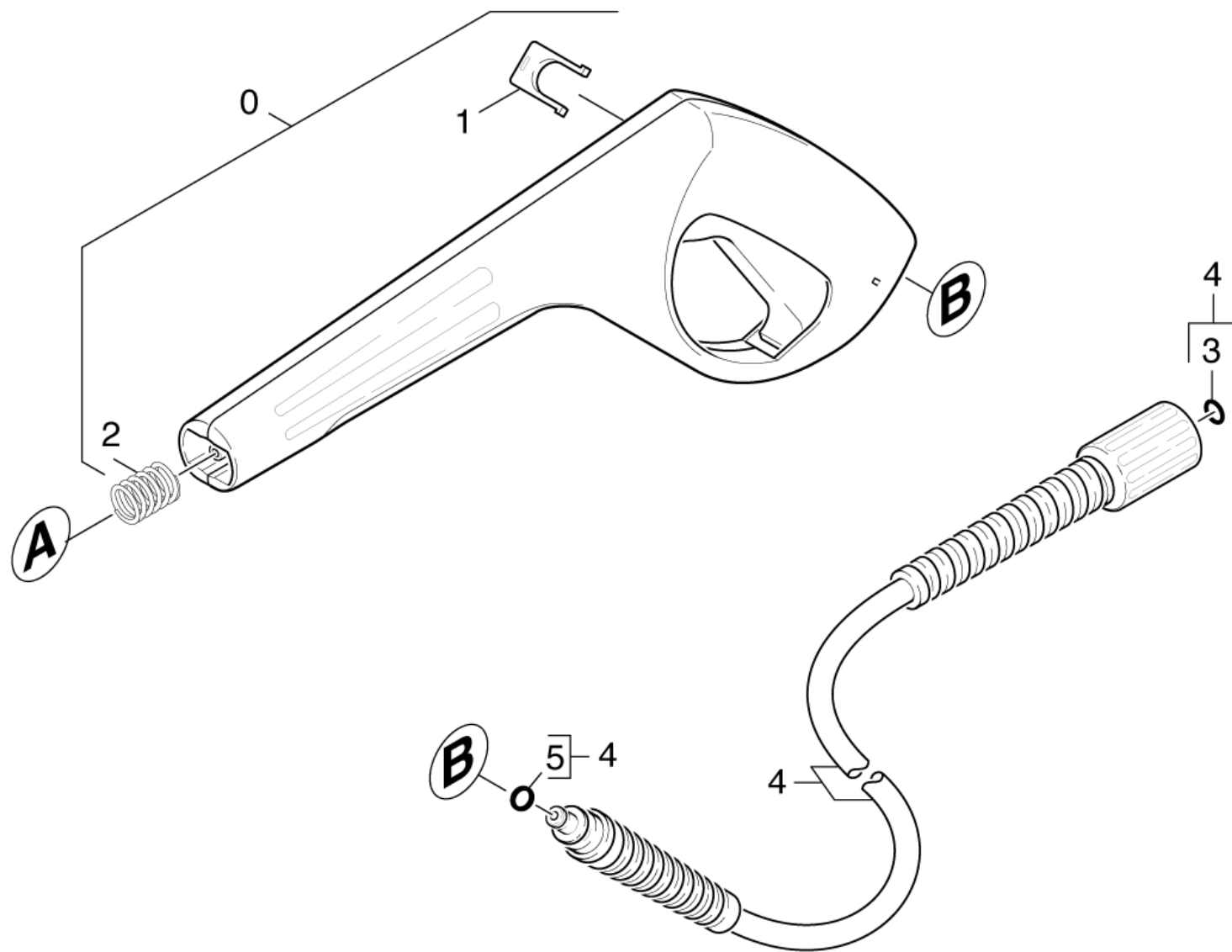
41 Hand trigger gun

POS	Article no.	Description	Quantity	Unit
8	5.107-147.0	Bar	1.000	ST
1	5.030-967.0	Handhold few	1.000	ST
16	5.332-247.0	Helical spring	1.000	ST
10	5.332-157.0	Helical spring	1.000	ST
18	6.390-264.0	High pressure hose 12,5/16MPa, DN6, neutr.	1.000	ST
11	5.481-140.0	Lever	1.000	ST
3	5.481-052.0	Lever	1.000	ST
2	6.303-122.0	M4 .2X13 DIN 7981 TORX T15 PAN HD HI/LO	9.000	ST
6	5.427-186.0	Manifold	1.000	ST
5	2.883-782.0	O-Ring kit	1.000	ST
7	7.362-502.0	O-Ring seal 2,8x1,6-NBR 70 DIN 3770	1.000	ST
13	6.362-479.0	O-Ring seal 7,59X 2,62	1.000	ST
20	6.363-115.0	O-Ring seal complete 1ST.-R.	1.000	ST
17	6.363-031.0	O-Ring seal complete 1ST.-R. NBR 90	1.000	ST
12	5.314-082.0	Pin -BONEZZI 12.022.706	1.000	ST
4	6.421-205.0	Pressure gauge 0-150 BAR	1.000	ST
14	5.110-539.0	Sleeve	1.000	ST
19	2.880-990.0	Spare part set O-Ring 5x -Kaercher	1.000	ST
0	7.777-999.0	Stockpiling discontinued	1.000	ST
15	7.777-999.0	Stockpiling discontinued	1.000	ST
9	5.582-058.0	Valve disc	1.000	ST



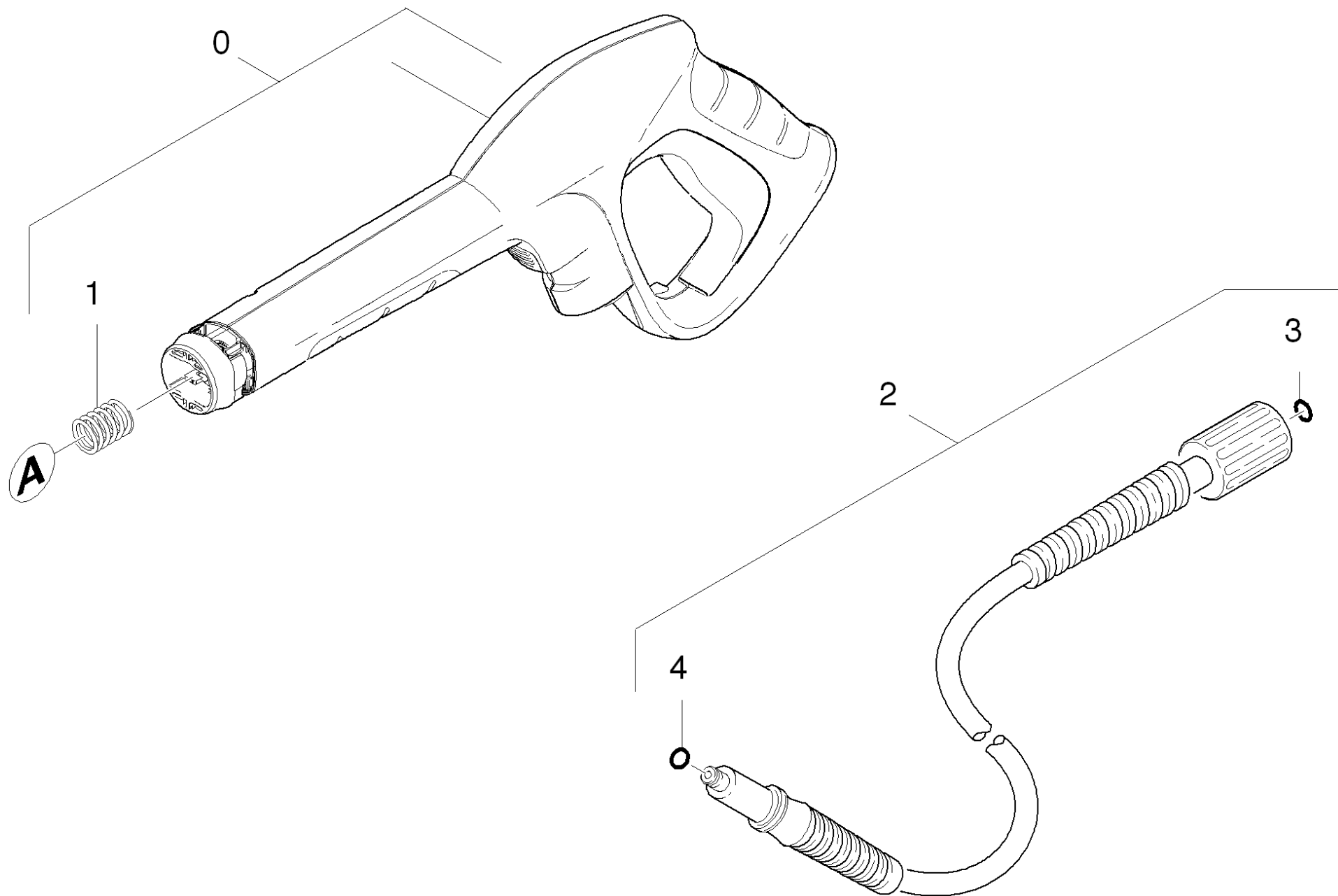
42 Hand trigger gun

POS	Article no.	Description	Quantity	Unit	Remark	Foot note text
2	5.037-140.0	Clamp	1.000	ST		
8	5.037-185.0	Clamp	1.000	ST		
7	2.641-959.0	G 160 pistol	1.000	ST		NEW VERSION
4	6.390-463.0	H 9 high pressure hose	1.000	ST	9,0M	
4	4.440-673.0	High pressure hose 12/16MPa,Kaer.,60G	1.000	ST	12M	
3	6.363-198.0	O-Ring seal 6x2 90 shore PUR	1.000	ST		
1	5.332-464.0	Pressure spring	1.000	ST		
6	2.880-990.0	Spare part set O-Ring 5x -Kaercher	1.000	ST		
0	7.777-999.0	Stockpiling discontinued	1.000	ST		



43 Hand trigger gun

POS	Article no.	Description	Quantity	Unit	Remark
1	5.037-140.0	Clamp	1.000	ST	
4	6.390-463.0	H 9 high pressure hose	1.000	ST	9M
4	4.440-673.0	High pressure hose 12/16MPa,Kaer.,60G	1.000	ST	12M
	Item text1: / 1.973-845.0				
5	6.363-198.0	O-Ring seal 6x2 90 shore PUR	1.000	ST	
2	5.332-464.0	Pressure spring	1.000	ST	
3	2.880-990.0	Spare part set O-Ring 5x -Kaercher	1.000	ST	
0	7.777-999.0	Stockpiling discontinued	1.000	ST	



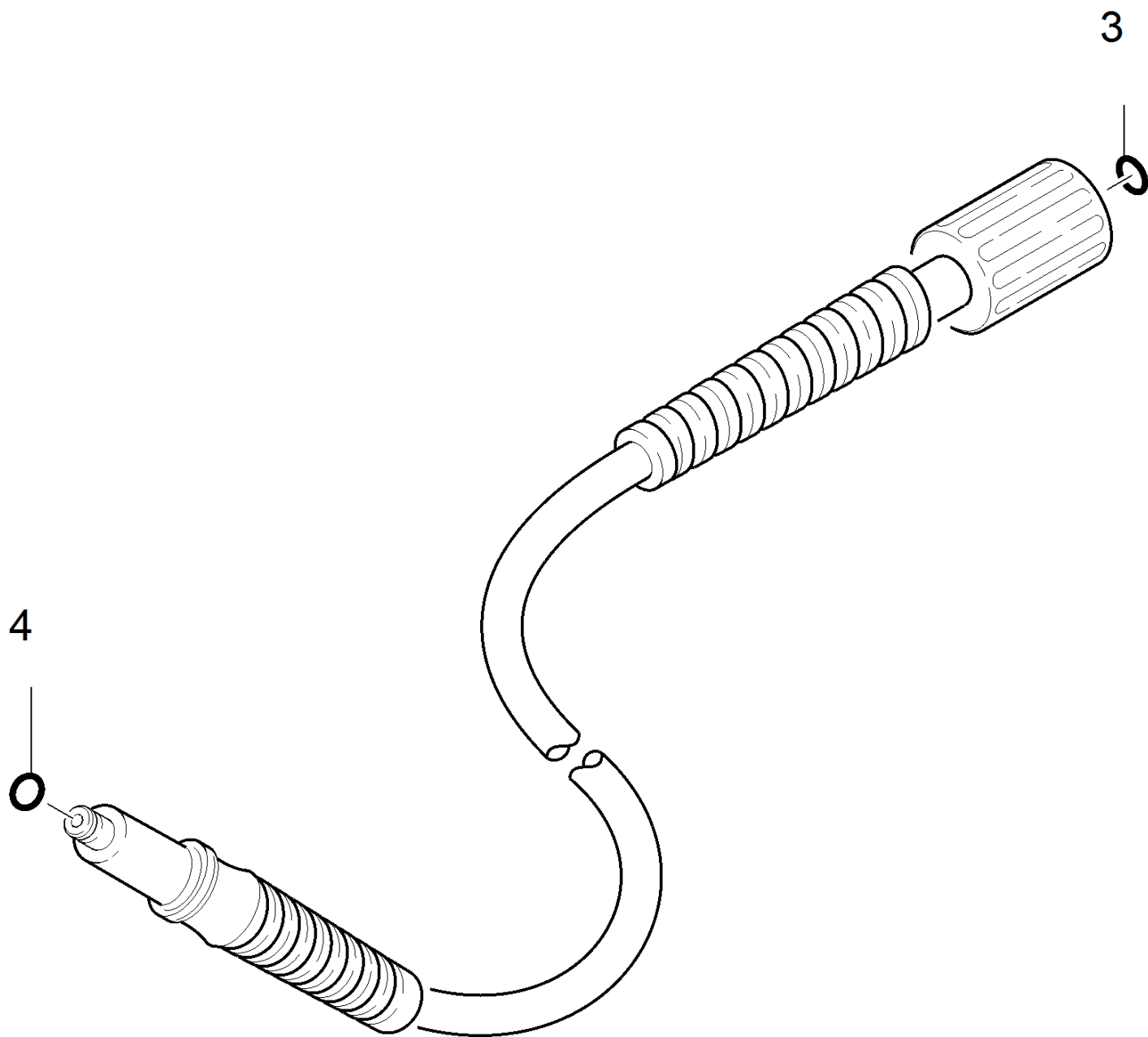
44 Hand trigger gun

POS	Article no.	Description	Quantity	Unit	Remark
0	2.642-172.0	G 160 Q pistol Quick Connect	1.000	ST	
2	2.641-706.0	High pressure hose 16MPa/9m 60°C, verp.	1.000	ST	9 m
2	6.391-783.0	High pressure hose 16MPa/12 60°C NQC B	1.000	ST	12 m
4	6.363-410.0	O-Ring seal 5,7x1,78 NBR 90Shore	1.000	ST	
1	5.332-464.0	Pressure spring	1.000	ST	
3	2.880-990.0	Spare part set O-Ring 5x -Kaercher	1.000	ST	



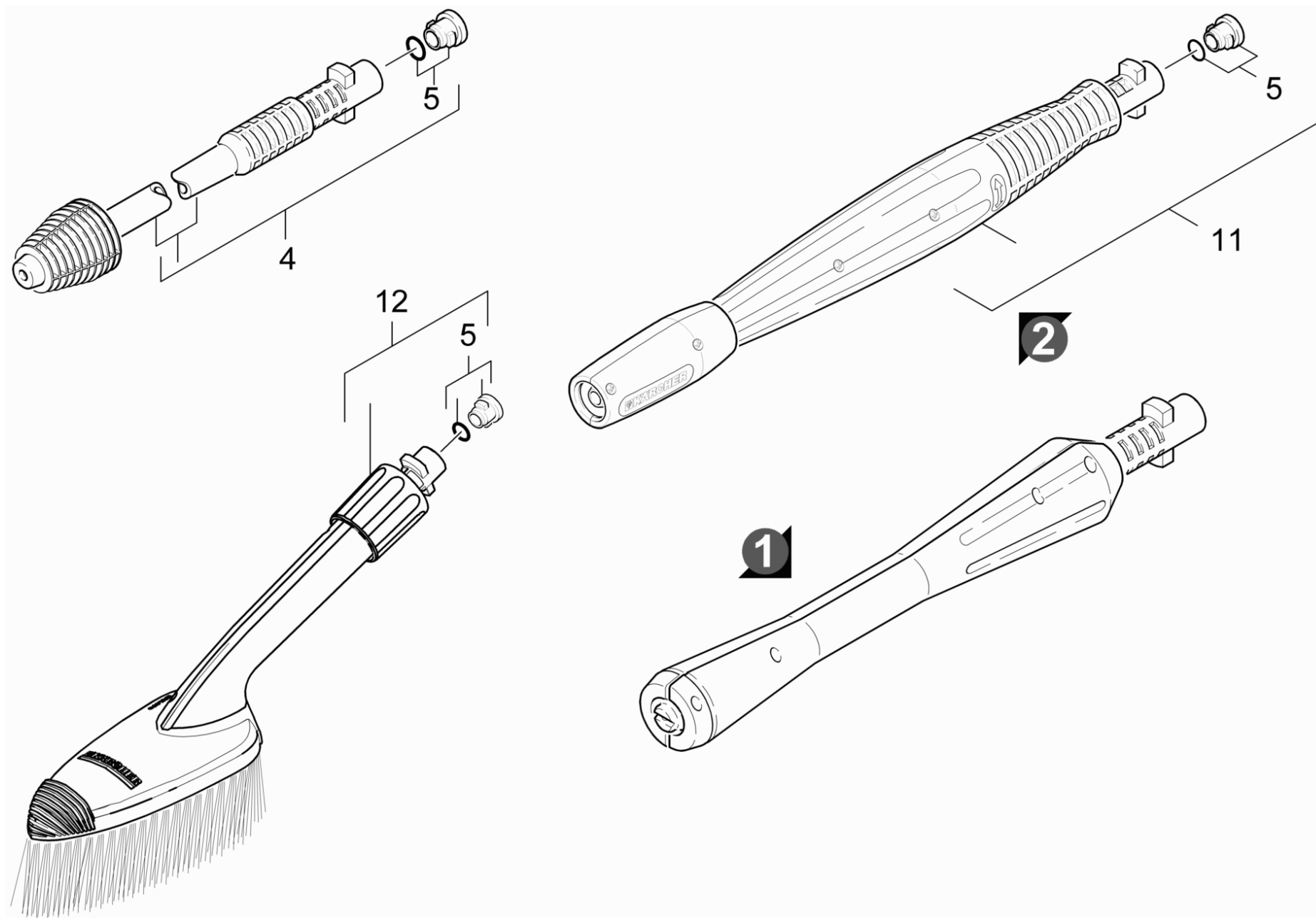
G 160 Q pistol Quick Connect (2.642-172.0)

POS	Article no.	Description	Quantity	Unit
1	5.332-464.0	Pressure spring	1.000	ST



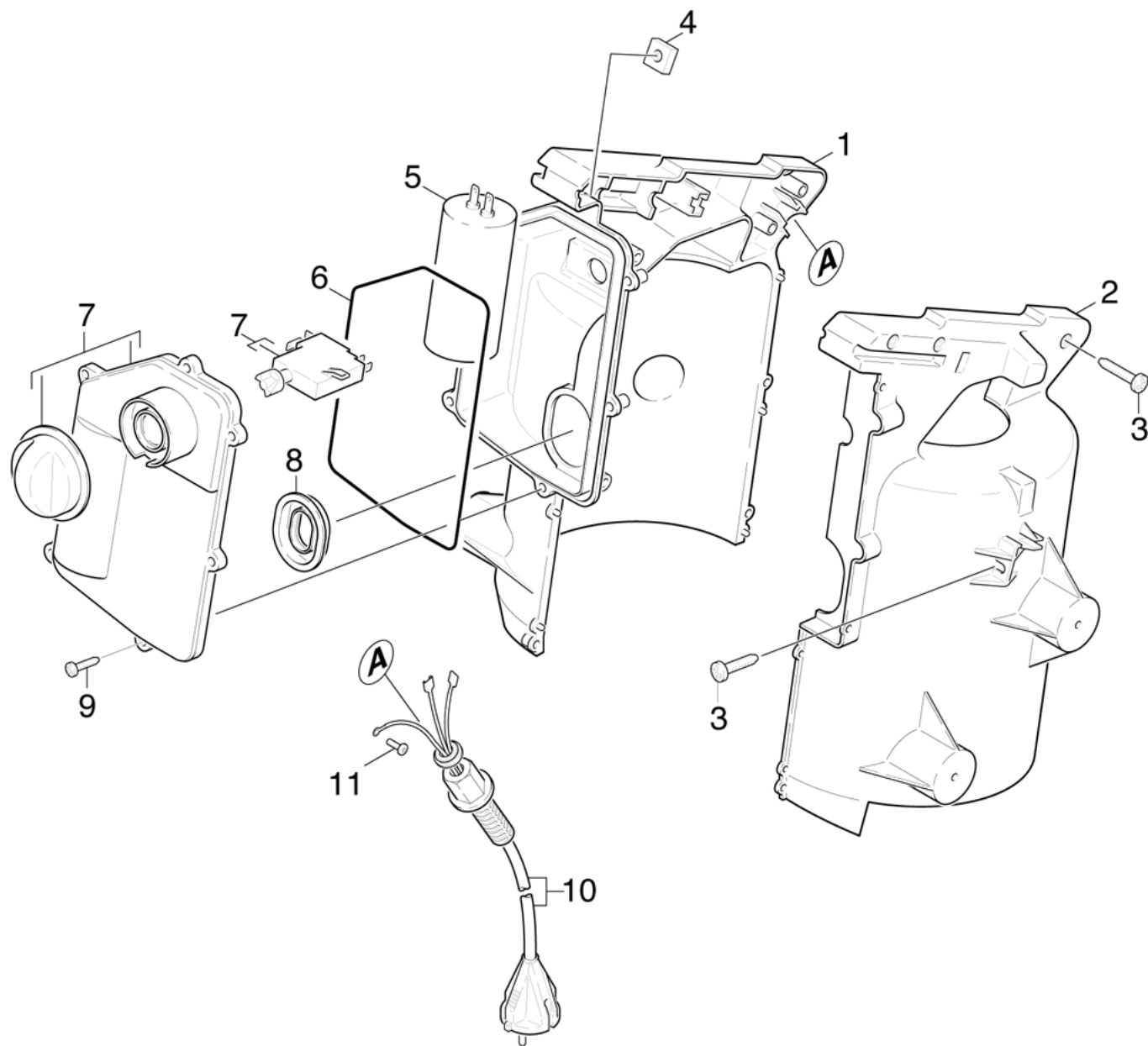
2 High pressure hose 16MPa/9m 60°C, verp. (2.641-706.0)

POS	Article no.	Description	Quantity	Unit
4	6.363-410.0	O-Ring seal 5,7x1,78 NBR 90Shore	1.000	ST
3	2.880-990.0	Spare part set O-Ring 5x -Kaercher	1.000	ST



45 Jet pipe

POS	Article no.	Description	Quantity	Unit
12	2.640-589.0	Brush lengthwise	1.000	ST
4	2.643-243.0	DB 160 rotor nozzle	1.000	ST
5	2.640-729.0	O-Ring seal set	2.000	ST
11	2.643-242.0	VP 160 Vario Power Jet	1.000	ST



50 Electric control box

POS	Article no.	Description	Quantity	Unit	Remark	Foot note text
10	6.647-493.0	Cable 3x1,5	1.000	ST		
5	6.661-298.0	Capacitor 40µf	1.000	ST		
2	5.066-945.0	HOUSING LINKS	1.000	ST	VERSION 1	
1	5.066-946.0	HOUSING RECHTS	1.000	ST	VERSION 1	
8	5.365-181.0	Profile gasket	1.000	ST		
9	6.303-125.0	Screw 5x20-Sonder In6Rd+Spitze	6.000	ST		
3	6.303-200.0	Screw 5x25-IN6RD	14.000	ST		
11	7.303-031.0	Screw M4x10 -St-P2R (In6Rd)	1.000	ST		
6	6.273-070.0	Seal string cellular rubber 4	1.000	M		TO ORDER AS CUT GOODS
4	5.311-181.0	Square nut M 6	1.000	ST		
7	4.744-094.0	Switch complete	1.000	ST		