

Spare parts list (2.869-067.0) Jet gun

Table of contents

Jet gun (2.869-067.0)	3
4 Spare parts list jet gun (5.958-422.0)	4
10 Pistol	5
11 Pistol	6
12 Pistol	9
20 Nozzle holder	12
30 Accessories	14

Jet gun (2.869-067.0)

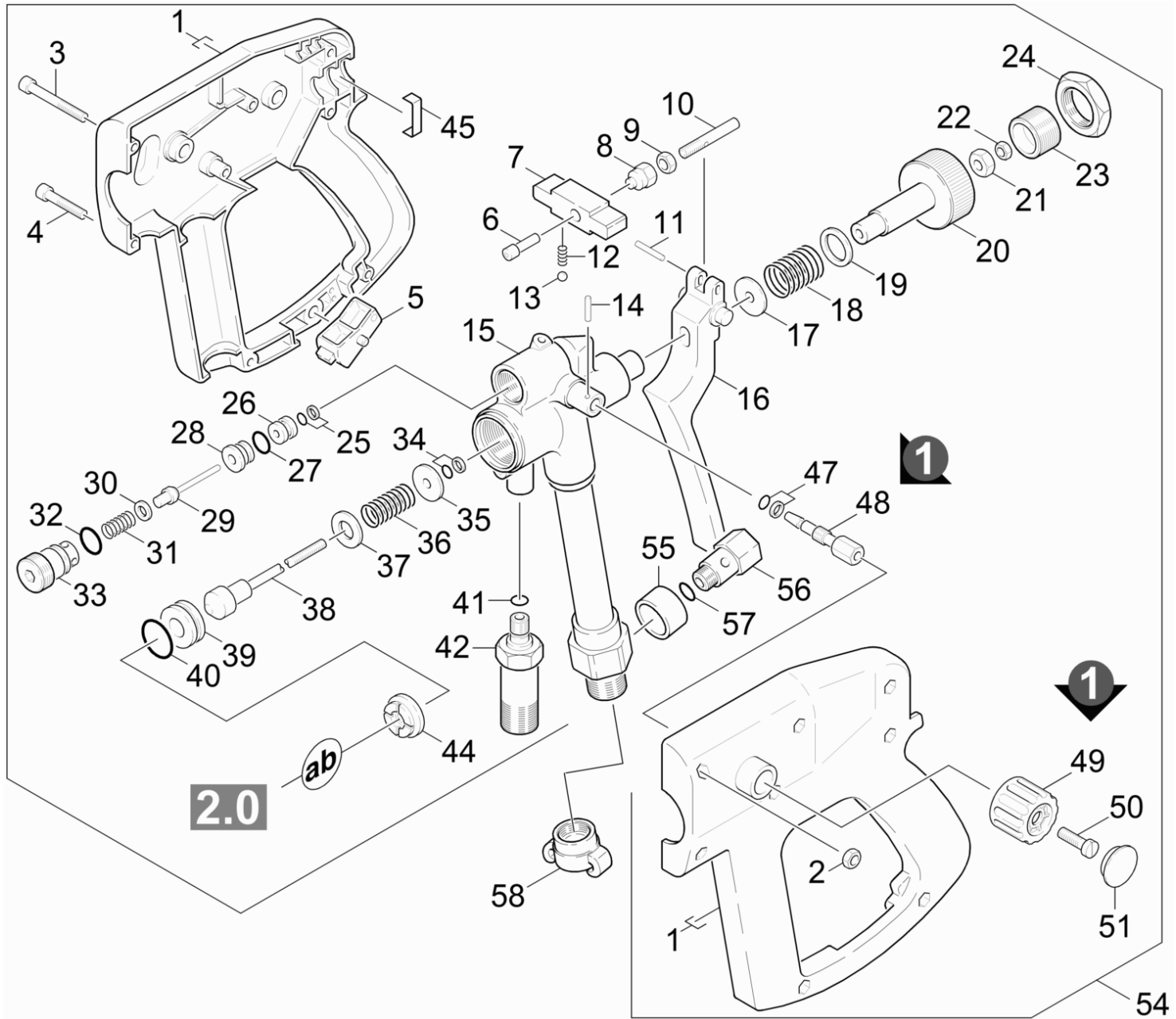
POS	Preces Nr.	Apraksts	Quantity	Unit
4	5.958-422.0	Spare parts list jet gun	1.000	ST
Vienuma teksts 2: 28690670				

4 Spare parts list jet gun (5.958-422.0)

POS	Apraksts	Quantity	Unit
30	Accessories	1.000	ST
20	Nozzle holder	1.000	ST
10	Pistol	1.000	ST

10 Pistol

POS	Apraksts	Quantity	Unit	Zemsvētras piezīme
12	Pistol	1.000	ST	VERSION 2
11	Pistol	1.000	ST	VERSION 1

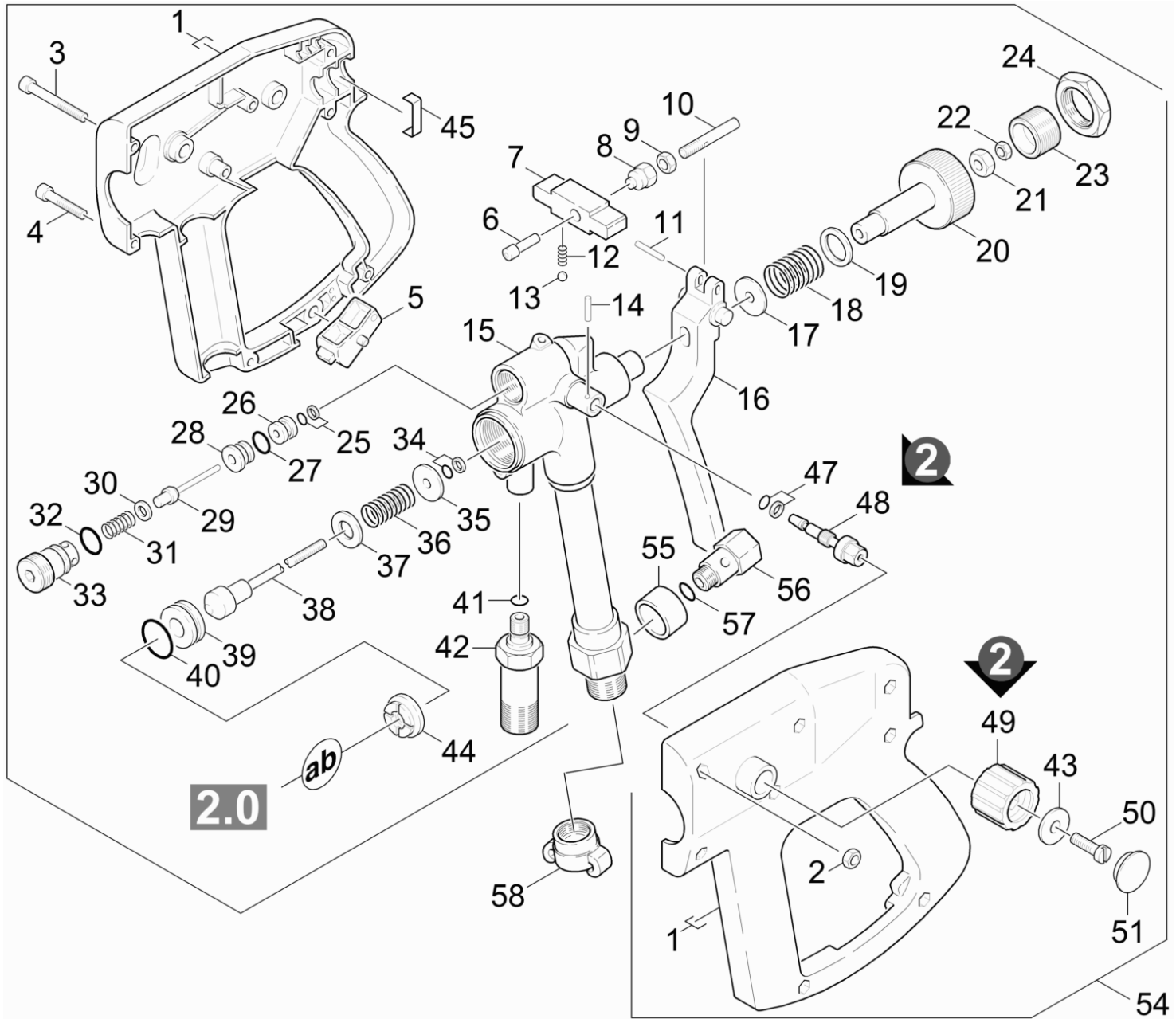


11 Pistol

POS	Preces Nr.	Apraksts	Quantity	Unit	Zemsvētras piezīme
23	5.304-069.0	Adjusting screw	1.000	ST	
20	5.304-066.0	Adjusting screw	1.000	ST	
10	5.316-850.0	Bolt	1.000	ST	
6	5.316-851.0	Bolt	1.000	ST	
58	7.386-023.0	Coupler VBI 3/4-EN-JM1030 DIN3489	1.000	ST	
3	7.306-167.0	Cylinder head screw M 4x40-8.8-A2E DIN	2.000	ST	
47	6.362-477.0	Gredzenblīve, pilns komplekts 1ST.-R.	1.000	ST	
25	6.362-992.0	Gredzenblīve, pilns komplekts 2,6X1,9	1.000	ST	
57	6.362-482.0	Gredzenblīve 10 x 1,5-NBR 70	1.000	ST	
40	6.362-161.0	Gredzenblīve 19,3 X 2,4	1.000	ST	
49	5.321-421.0	Handhold	1.000	ST	VERSION 1
1	5.321-607.0	Handhold few	1.000	ST	
16	5.325-013.0	Hand lever	1.000	ST	
18	5.332-434.0	Helical spring	1.000	ST	
12	5.332-233.0	Helical spring	1.000	ST	
31	5.332-435.0	Helical spring	1.000	ST	
36	5.332-433.0	Helical spring	1.000	ST	
21	5.311-200.0	Hexagon nut	1.000	ST	
2	7.311-064.0	Hexagon nut	8.000	ST	
24	5.311-201.0	Hexagon nut	1.000	ST	
22	7.311-203.0	Hexagon nut M5 -A4-035 ISO 4035	1.000	ST	
9	7.311-211.0	Hexagon nut M 6-CU2 ISO 4035	1.000	ST	
8	5.404-073.0	Hollow screw	1.000	ST	
42	5.443-461.0	Hose stem	1.000	ST	
54	4.775-370.0	Jet gun ST120	1.000	ST	
5	5.481-088.0	Lever	1.000	ST	
15	4.427-192.0	Manifold complete	1.000	ST	
7	5.031-504.0	Moulded part	1.000	ST	
44	5.031-503.0	Moulded part	1.000	ST	
41	6.362-642.0	O-ring seal	1.000	ST	
27	6.362-597.0	O-ring seal	1.000	ST	
32	6.362-673.0	O-Ring seal 14,0 X 1,78	1.000	ST	
34	6.362-719.0	O-Ring seal complete 1ST.R.	1.000	ST	

11 Pistol

POS	Preces Nr.	Apraksts	Quantity	Unit	Zemsvētras piezīme
29	5.553-384.0	Piston	1.000	ST	
38	4.553-178.0	Piston only for replacement	1.000	ST	
45	5.337-034.0	Plate spring	1.000	ST	
51	5.132-038.0	plug	1.000	ST	
55	5.394-564.0	Protection part	1.000	ST	
56	4.580-362.0	Safety valve	1.000	ST	
50	7.306-056.0	Screw M4x8 -8.8-R2R (In6Rd)	1.000	ST	
4	7.306-211.0	Screw M 4x25-A2-70 (IN6RD)	6.000	ST	
33	5.411-137.0	Screw plug	1.000	ST	
13	7.401-902.0	Sfēra 5 G20 -1.4034 DIN 5401	1.000	ST	
26	5.110-683.0	Spacer sleeve	1.000	ST	
48	5.291-074.0	Spindle	1.000	ST	VERSION 1
14	7.314-621.0	Straight grooved pin 2,0x10-CU2 ISO 874	1.000	ST	
11	7.314-084.0	Straight pin 3m6x20-A1 ISO 2338	1.000	ST	
39	5.581-225.0	Valve seat	1.000	ST	
28	5.581-224.0	Valve seat	1.000	ST	
19	5.115-773.0	Washer	1.000	ST	
35	5.115-759.0	Washer	1.000	ST	
30	5.115-761.0	Washer	1.000	ST	
37	5.115-760.0	Washer	1.000	ST	
17	5.115-772.0	Washer	1.000	ST	

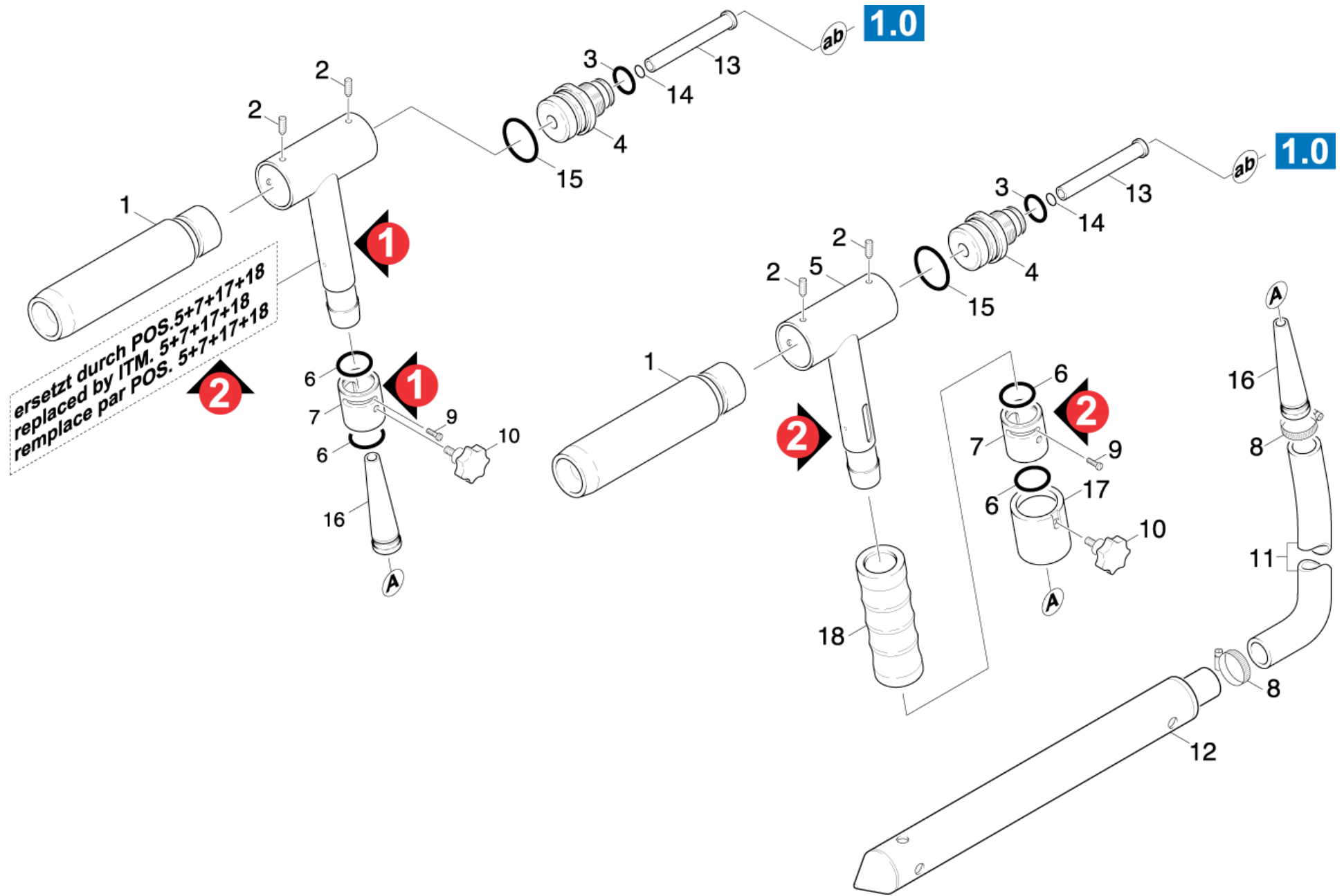


12 Pistol

POS	Preces Nr.	Apraksts	Quantity	Unit	Zemsvitras piezime
20	5.304-066.0	Adjusting screw	1.000	ST	
23	5.304-069.0	Adjusting screw	1.000	ST	
10	5.316-850.0	Bolt	1.000	ST	
6	5.316-851.0	Bolt	1.000	ST	
58	7.386-023.0	Coupler VBI 3/4-EN-JM1030 DIN3489	1.000	ST	
3	7.306-167.0	Cylinder head screw M 4x40-8.8-A2E DIN	2.000	ST	
47	6.362-477.0	Gredzenblīve, pilns komplekts 1ST.-R.	1.000	ST	
25	6.362-992.0	Gredzenblīve, pilns komplekts 2,6X1,9	1.000	ST	
57	6.362-482.0	Gredzenblīve 10 x 1,5-NBR 70	1.000	ST	
40	6.362-161.0	Gredzenblīve 19,3 X 2,4	1.000	ST	
49	5.321-796.0	Handhold	1.000	ST	VERSION 2
1	5.321-607.0	Handhold few	1.000	ST	
16	5.325-013.0	Hand lever	1.000	ST	
18	5.332-434.0	Helical spring	1.000	ST	
31	5.332-435.0	Helical spring	1.000	ST	
36	5.332-433.0	Helical spring	1.000	ST	
12	5.332-233.0	Helical spring	1.000	ST	
21	5.311-200.0	Hexagon nut	1.000	ST	
24	5.311-201.0	Hexagon nut	1.000	ST	
2	7.311-064.0	Hexagon nut	8.000	ST	
22	7.311-203.0	Hexagon nut M5 -A4-035 ISO 4035	1.000	ST	
9	7.311-211.0	Hexagon nut M 6-CU2 ISO 4035	1.000	ST	
8	5.404-073.0	Hollow screw	1.000	ST	
42	5.443-461.0	Hose stem	1.000	ST	
54	4.775-370.0	Jet gun ST120	1.000	ST	
5	5.481-088.0	Lever	1.000	ST	
15	4.427-192.0	Manifold complete	1.000	ST	
44	5.031-503.0	Moulded part	1.000	ST	
7	5.031-504.0	Moulded part	1.000	ST	
41	6.362-642.0	O-ring seal	1.000	ST	
27	6.362-597.0	O-ring seal	1.000	ST	
32	6.362-673.0	O-Ring seal 14,0 X 1,78	1.000	ST	
34	6.362-719.0	O-Ring seal complete 1ST.R.	1.000	ST	

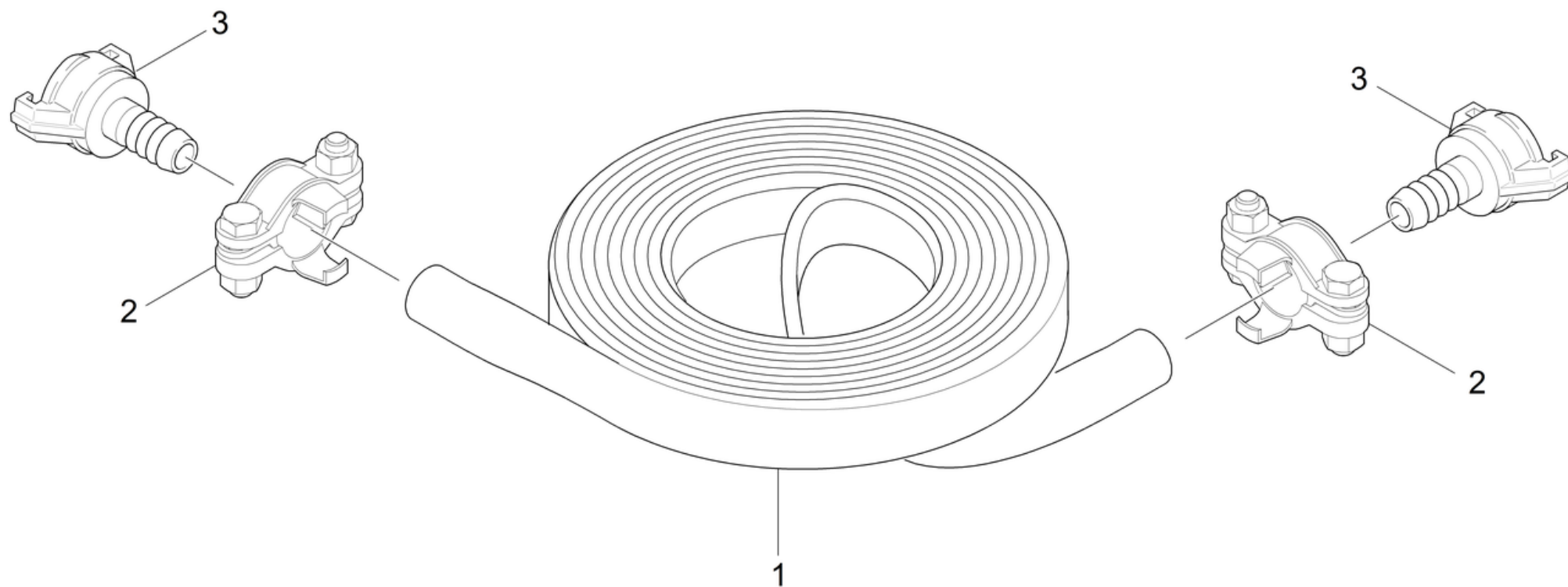
12 Pistol

POS	Preces Nr.	Apraksts	Quantity	Unit	Zemsvītras piezīme
29	5.553-384.0	Piston	1.000	ST	
38	4.553-178.0	Piston only for replacement	1.000	ST	
45	5.337-034.0	Plate spring	1.000	ST	
51	5.132-038.0	plug	1.000	ST	
55	5.394-564.0	Protection part	1.000	ST	
56	4.580-362.0	Safety valve	1.000	ST	
50	7.306-056.0	Screw M4x8 -8.8-R2R (In6Rd)	1.000	ST	
4	7.306-211.0	Screw M 4x25-A2-70 (IN6RD)	6.000	ST	
33	5.411-137.0	Screw plug	1.000	ST	
13	7.401-902.0	Sfēra 5 G20 -1.4034 DIN 5401	1.000	ST	
26	5.110-683.0	Spacer sleeve	1.000	ST	
48	5.291-097.0	Spindle	1.000	ST	VERSION 2
14	7.314-621.0	Straight grooved pin 2,0x10-CU2 ISO 874	1.000	ST	
11	7.314-084.0	Straight pin 3m6x20-A1 ISO 2338	1.000	ST	
28	5.581-224.0	Valve seat	1.000	ST	
39	5.581-225.0	Valve seat	1.000	ST	
19	5.115-773.0	Washer	1.000	ST	
17	5.115-772.0	Washer	1.000	ST	
30	5.115-761.0	Washer	1.000	ST	
35	5.115-759.0	Washer	1.000	ST	
37	5.115-760.0	Washer	1.000	ST	
43	7.312-264.0	washer	1.000	ST	VERSION 2



20 Nozzle holder

POS	Preces Nr.	Apraksts	Quantity	Unit	Piezīme
15	6.362-377.0	Gredzenblīve 38,0 X 2,0-NBR 70	1.000	ST	
17	5.321-605.0	Handhold	1.000	ZSA	
8	6.388-548.0	Hose clip	2.000	ST	
11	6.388-283.0	Hose DN25	1.000	M	
16	5.031-816.0	Moulded part	1.000	ST	
13	5.130-212.0	Nozzle	1.000	ST	
1	5.130-214.0	Nozzle	1.000	ST	
5	4.764-137.0	Nozzle holder complete	1.000	ST	
14	6.362-437.0	O-Ring seal 10,0 X 1,0	2.000	ST	
3	6.362-446.0	O-Ring seal 21,0 X 2,4-NBR 80	1.000	ST	
6	6.363-612.0	O-Ring seal 22 x 2 -NBR90	1.000	ST	
18	5.394-563.0	Protection part	1.000	ST	
4	5.031-564.0	Retainer	1.000	ST	
9	7.306-051.0	Skrūve M3x6 -8.8-A2K (In6Rd)	1.000	ST	
7	5.110-698.0	Sleeve	1.000	ST	VERSION 1
7	5.110-768.0	Sleeve	1.000	ST	VERSION 2
10	6.321-123.0	Star grip M 6X10	1.000	ST	
2	7.307-409.0	threaded pin	6.000	ST	
12	4.025-504.0	Tube complete	1.000	ST	



30 Accessories

POS	Preces Nr.	Apraksts	Quantity	Unit
1	6.390-284.0	Air hose 10m	1.000	ST
1	6.390-285.0	Air hose 20m	1.000	ST
3	7.386-033.0	Coupler VB1-19-EN-JM1030 DIN3489	2.000	ST
2	7.777-999.0	Stockpiling discontinued	2.000	ST