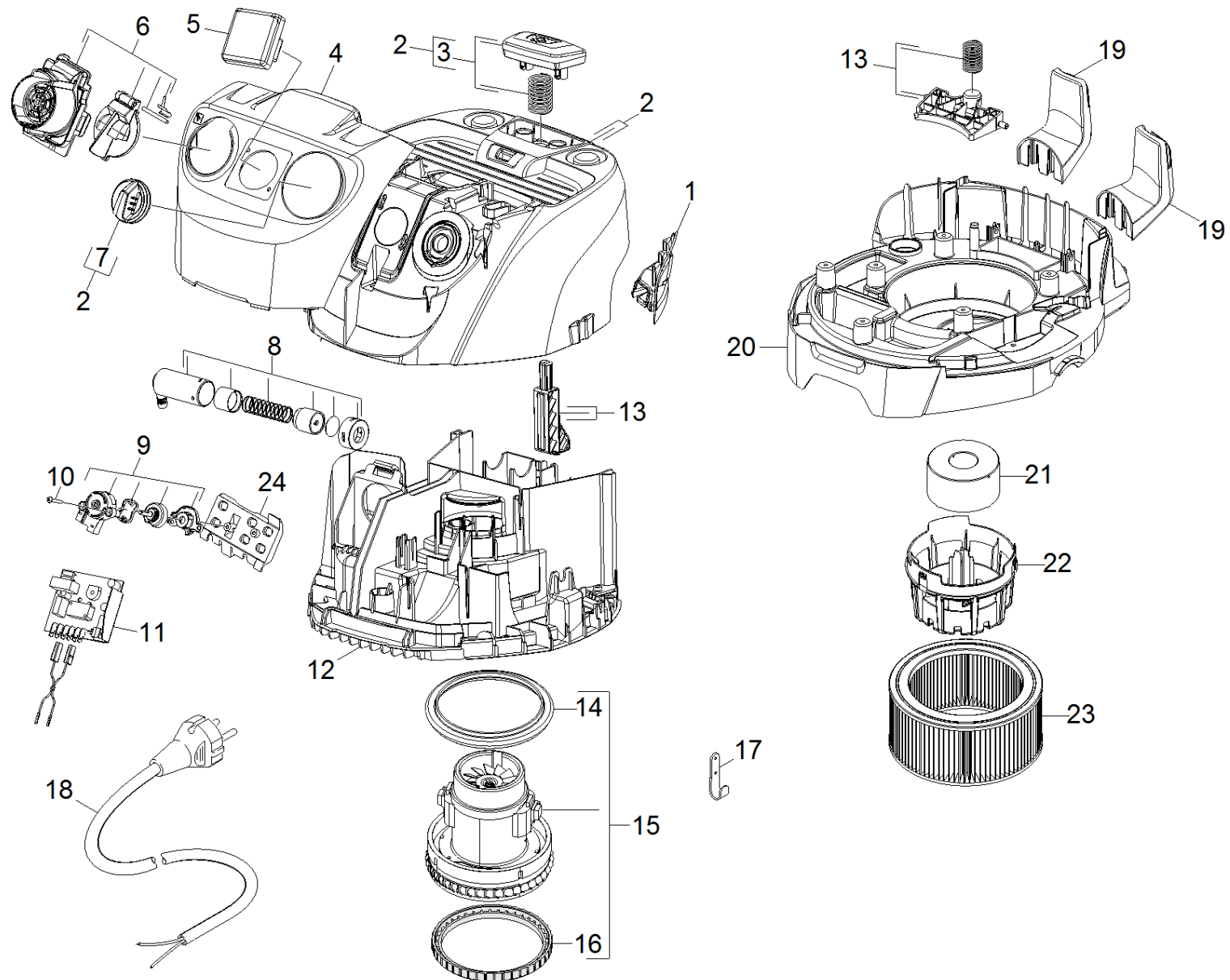


10 Appliance individual parts

Overview technical documents/Home & Garden/Vacuum cleaner/Wet-/Dry vacuum cleanerwet/WD 5.600 (1.347-920.0)/Spare parts list WD 5.600 MP/10 Appliance individual parts



10 Appliance individual parts

Overview technical documents/Home & Garden/Vacuum cleaner/Wet-/Dry vacuum cleanerwet/WD 5.600 (1.347-920.0)/Spare parts list WD 5.600 MP/10 Appliance individual parts

Rez.daļas/nodil.pakļ.dajas	Poz.	Materiāla Nr.	Nosaukums	Daudzums	Pārdoš. vienība	Daž. informācija
	1	9.037-735.0	Cable gland	1.000	ST	
	2	9.001-764.0	Vāks, pilns komplekts WD5 PT PFC	1.000	ST	
	3	9.001-762.0	Pushbutton complete	1.000	ST	
	4	9.001-773.0	Covering cap	1.000	ST	
	5	6.646-563.0	Plug socket *GB	1.000	ST	*GB
	5	6.646-561.0	Plug socket *EU	1.000	ST	*EU
	6	9.012-886.0	Connection complete	1.000	ST	
X-X	7	9.037-829.0	Catch for cable	1.000	ST	
	8	9.012-609.0	Display filter	1.000	ST	
X-X	9	9.012-646.0	Switch box	1.000	ST	
	10	7.303-096.0	Skrūve 4x22 -ST-10.9-R2R (IN6RD)	2.000	ST	
	11	4.682-115.0	Circuit board packaged for replacement	1.000	ST	
	12	9.037-732.0	Gaisa cirkulācija STD	1.000	ST	
	13	9.001-761.0	Add-on kit PFC	1.000	ST	
	14	9.079-024.0	Seal motor above	1.000	ST	
X-X	15	4.624-034.0	Vacuum motor	1.000	ST	
	16	5.731-657.0	Bearing turbine new Domel CER	1.000	ST	
	17	9.047-057.0	Spring ESD	1.000	ST	
	18	9.084-270.0	Cable 6,5m 3x1,5 mm *GB	1.000	ST	*GB
	18	9.084-252.0	Cable 6,5m 3G1,5 mm *EU	1.000	ST	*EU
X	19	9.037-731.0	Hook	2.000	ST	
	20	9.037-718.0	Motor flange PFC 1800W	1.000	ST	
	21	9.012-742.0	Float complete WD	1.000	ST	
	22	9.037-729.0	Filtering basket	1.000	ST	
X-X	23	6.414-960.0	Nanopārklājuma cilindriskais filtrs	1.000	ST	

10 Appliance individual parts

Overview technical documents/Home & Garden/Vacuum cleaner/Wet-/Dry vacuum cleanerwet/WD 5.600 (1.347-920.0)/Spare parts list WD 5.600 MP/10 Appliance individual parts

Rez.daļas/nodil.pakļ.daļas	Poz.	Materiāla Nr.	Nosaukums	Daudzums	Pārdoš. vienība	Daž. informācija
	24	9.037-740.0	PCB bracket	1.000	ST	