

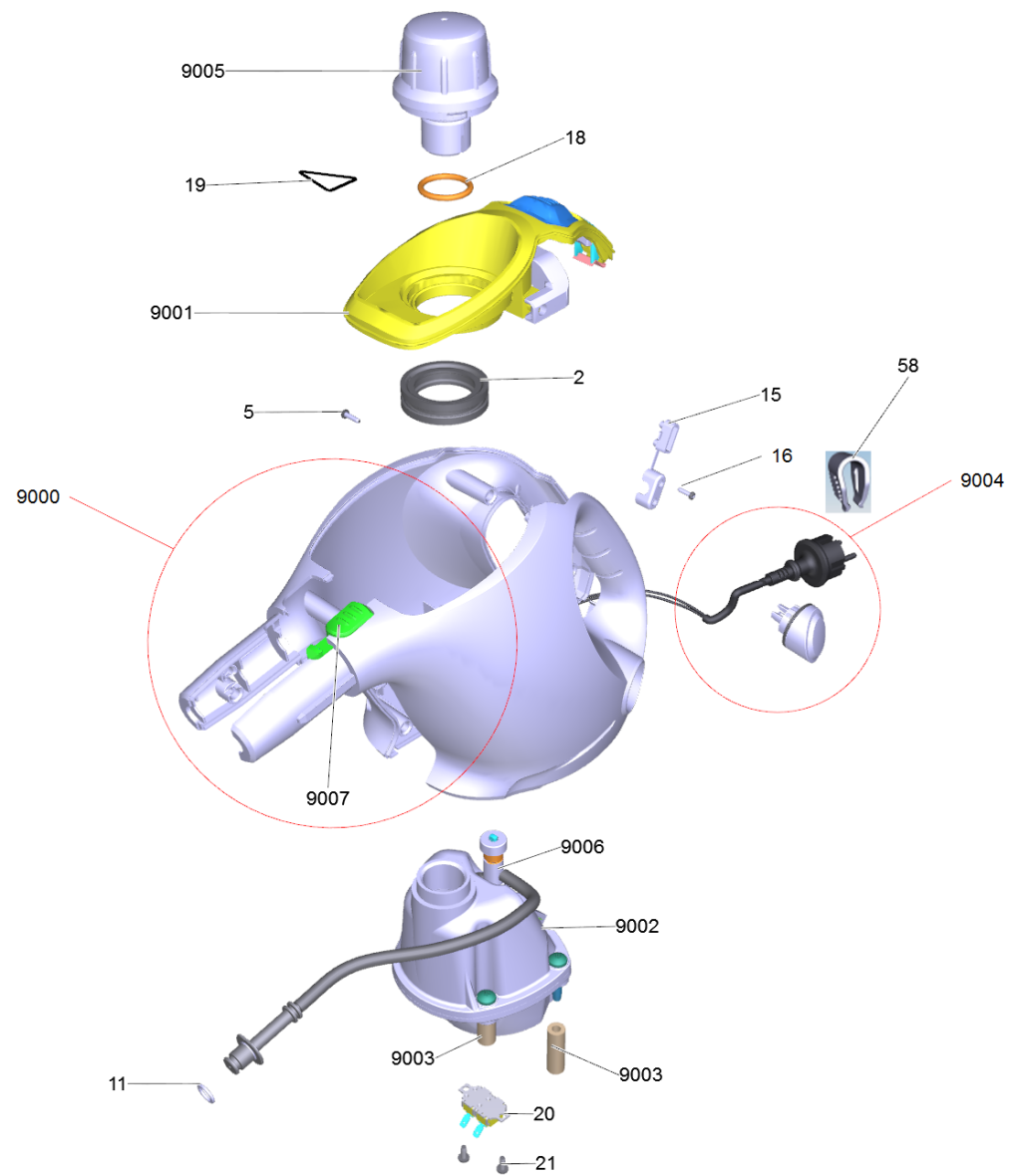
## **Spare parts list**

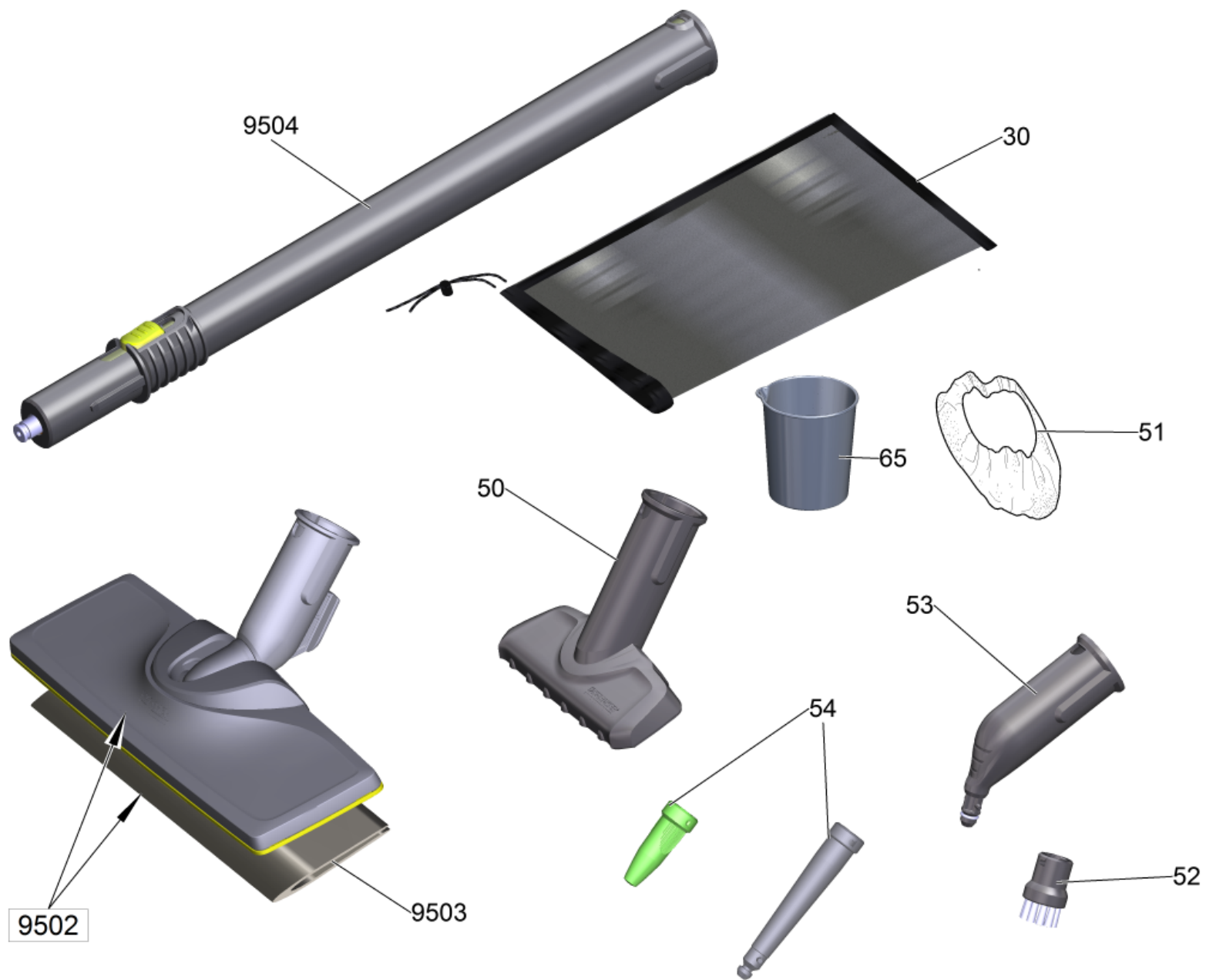
(1.516-375.0) SC 1 EasyFix Premium (white) \*EU

## Table of contents

---

SC 1 EasyFix Premium (white) *EU (1.516-375.0)	3
Short spare parts list	6
53 Point jet nozzle complete PA (4.130-021.0)	8
9000 Housing insert complete replacement SC 1 (4.512-099.0)	10
9006 Valve complete replacement SC 1 (4.580-045.0)	12
9501 Extension hose special accessories SC 1 (2.863-021.0)	14
9504 Extension pipe bk/gy (4.127-027.0)	16

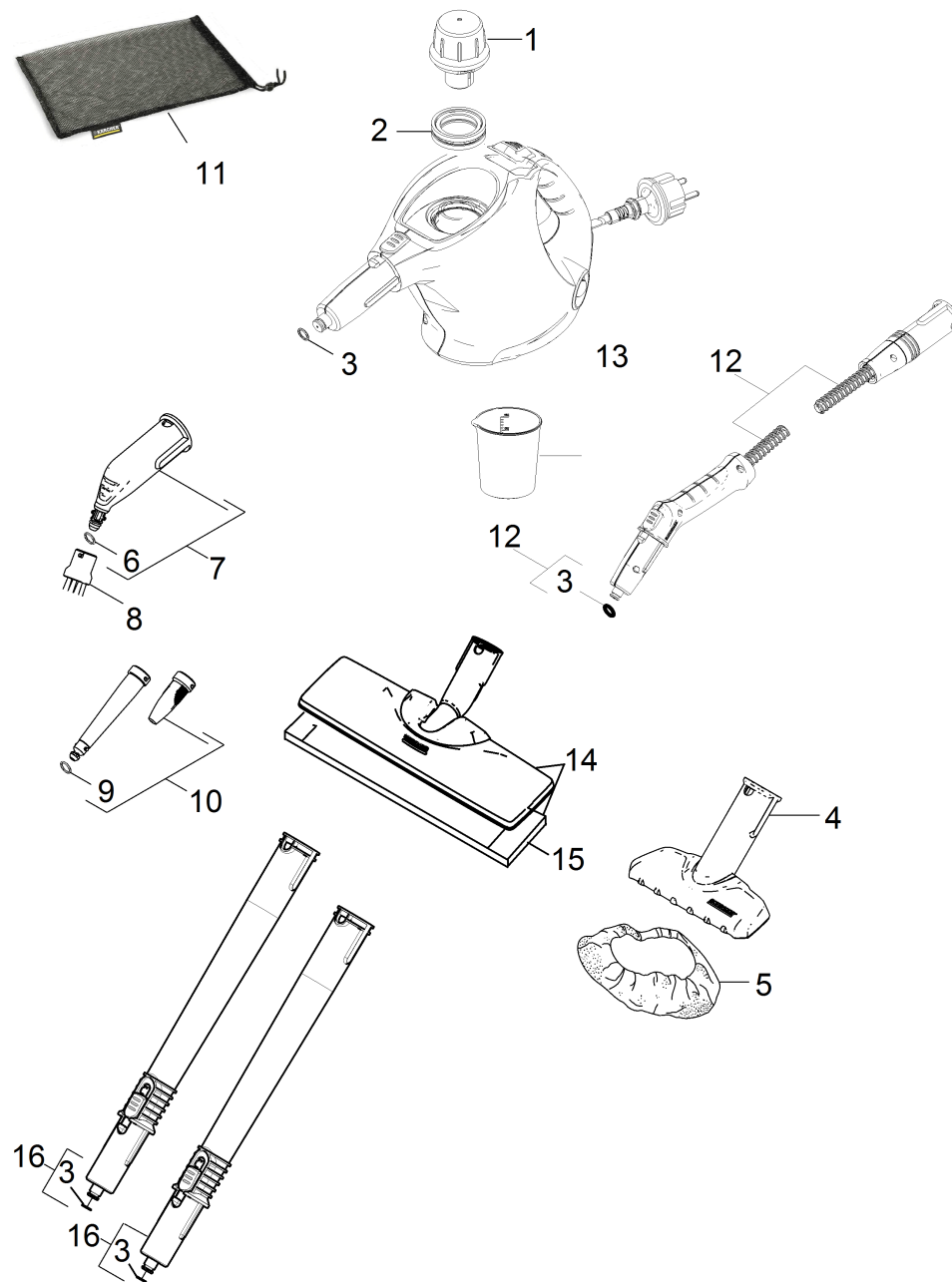




SC 1 EasyFix Premium (white) \*EU (1.516-375.0)

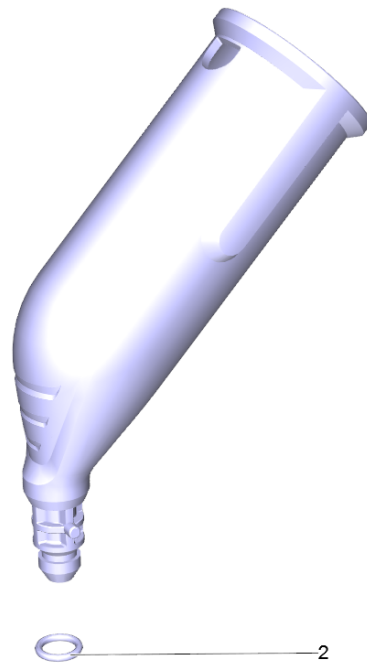
POS	Article no.	Description	Quantity	Unit
9003	4.512-103.0	Bearing boiler set SC 1	1.000	ST
9002	4.070-084.0	Boiler complete replacement SC 1	1.000	ST
58	6.647-681.0	Cable clip	1.000	ST
9004	4.039-236.0	Cable set complete replacement SC 1 *EU	1.000	ST
20	6.630-649.0	Combination TR-TS Discomelt 2	1.000	ST
9501	2.863-021.0	Extension hose special accessories SC 1	1.000	ST
9504	4.127-027.0	Extension pipe bk/gy	2.000	ST
9502	2.863-267.0	Floor nozzle set EasyFix	1.000	ST
50	2.884-280.0	Hand nozzle	1.000	ST
15	6.373-978.0	Hat clamp strain relief	1.000	ST
9001	4.512-101.0	Housing complete replacement SC 1 wh	1.000	ST
9000	4.512-099.0	Housing insert complete replacement SC 1	1.000	ST
65	5.394-986.0	Measuring cup 200 ml, PP	1.000	ST
51	2.863-270.0	Microfibre covers for hand nozzle	1.000	ST
9503	2.863-259.0	Microfibre floor cloths EasyFix (2-er Se	1.000	ST
11	6.362-922.0	O-Ring seal 8,73x1,78	1.000	ST
18	6.363-468.0	O-Ring seal EPDM 22x3	1.000	ST
30	6.516-001.0	Pocket accessories SC 1	1.000	ST
53	4.130-021.0	Point jet nozzle complete PA	1.000	ST
54	2.863-263.0	Power nozzle set	1.000	ST
52	2.863-264.0	Round brushes set	1.000	ST
9005	4.590-007.0	Safety lock replacement SC 1	1.000	ST
16	6.303-557.0	Screw 3x12 Kombitorx T8	2.000	ST
21	7.303-030.0	Screw M4x8 -St-P2R (In6Rd)	2.000	ST
5	6.303-567.0	Screw with spike 3x12 Kombitorx T8	8.000	ST
2	5.363-635.0	Seal	1.000	ST
0		Short spare parts list	1.000	ST
9007	5.037-009.0	Snap-fit SC 1	1.000	ST
9006	4.580-045.0	Valve complete replacement SC 1	1.000	ST
19	5.387-036.0	Warning sign	1.000	ST

Short spare parts list



## Short spare parts list

POS	Article no.	Description	Quantity	Unit
12	2.863-021.0	Extension hose special accessories SC 1	1.000	ST
16	4.127-027.0	Extension pipe bk/gy	2.000	ST
14	2.863-267.0	Floor nozzle set EasyFix	1.000	ST
4	2.884-280.0	Hand nozzle	1.000	ST
13	5.394-986.0	Measuring cup 200 ml, PP	1.000	ST
5	2.863-270.0	Microfibre covers for hand nozzle	1.000	ST
15	2.863-259.0	Microfibre floor cloths EasyFix (2-er Se	1.000	ST
9	6.362-924.0	O-Ring seal 6,02X 2,62	1.000	ST
6	6.362-186.0	O-Ring seal 7,65X 1,78	1.000	ST
3	6.362-922.0	O-Ring seal 8,73x1,78	4.000	ST
11	6.516-001.0	Pocket accessories SC 1	1.000	ST
7	4.130-021.0	Point jet nozzle complete PA	1.000	ST
10	2.863-263.0	Power nozzle set	1.000	ST
8	2.863-264.0	Round brushes set	1.000	ST
1	4.590-007.0	Safety lock replacement SC 1	1.000	ST
2	5.363-635.0	Seal	1.000	ST

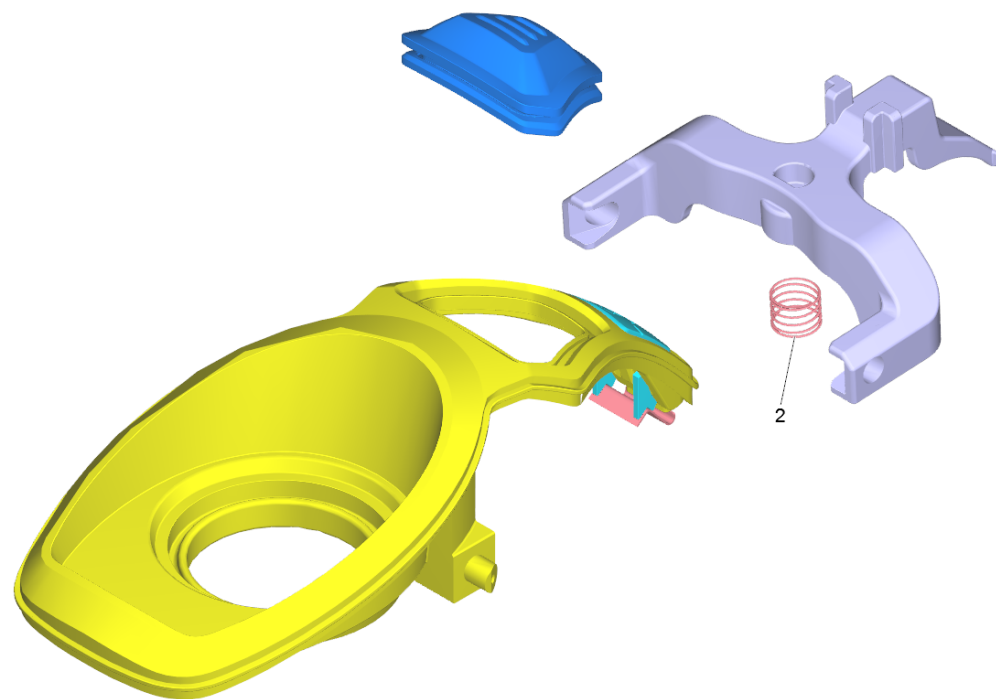




53 Point jet nozzle complete PA (4.130-021.0)

---

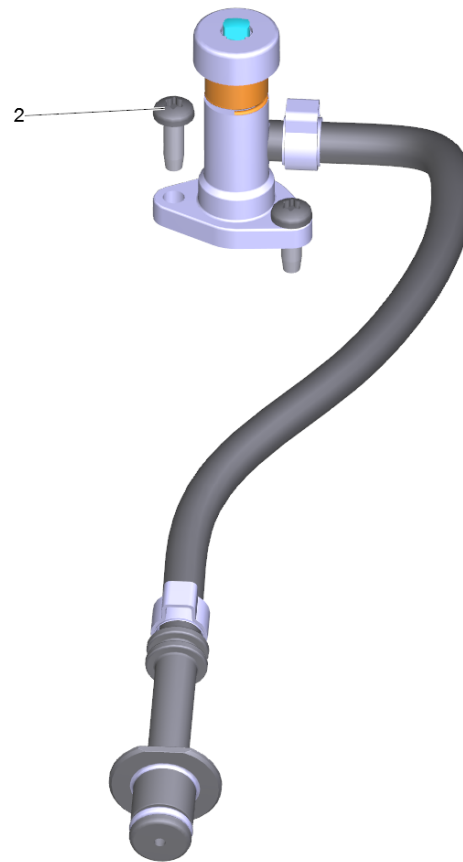
<b>POS</b>	<b>Article no.</b>	<b>Description</b>	<b>Quantity</b>	<b>Unit</b>
2	6.362-186.0	O-Ring seal 7,65X 1,78	1.000	ST



9000 Housing insert complete replacement SC 1 (4.512-099.0)

---

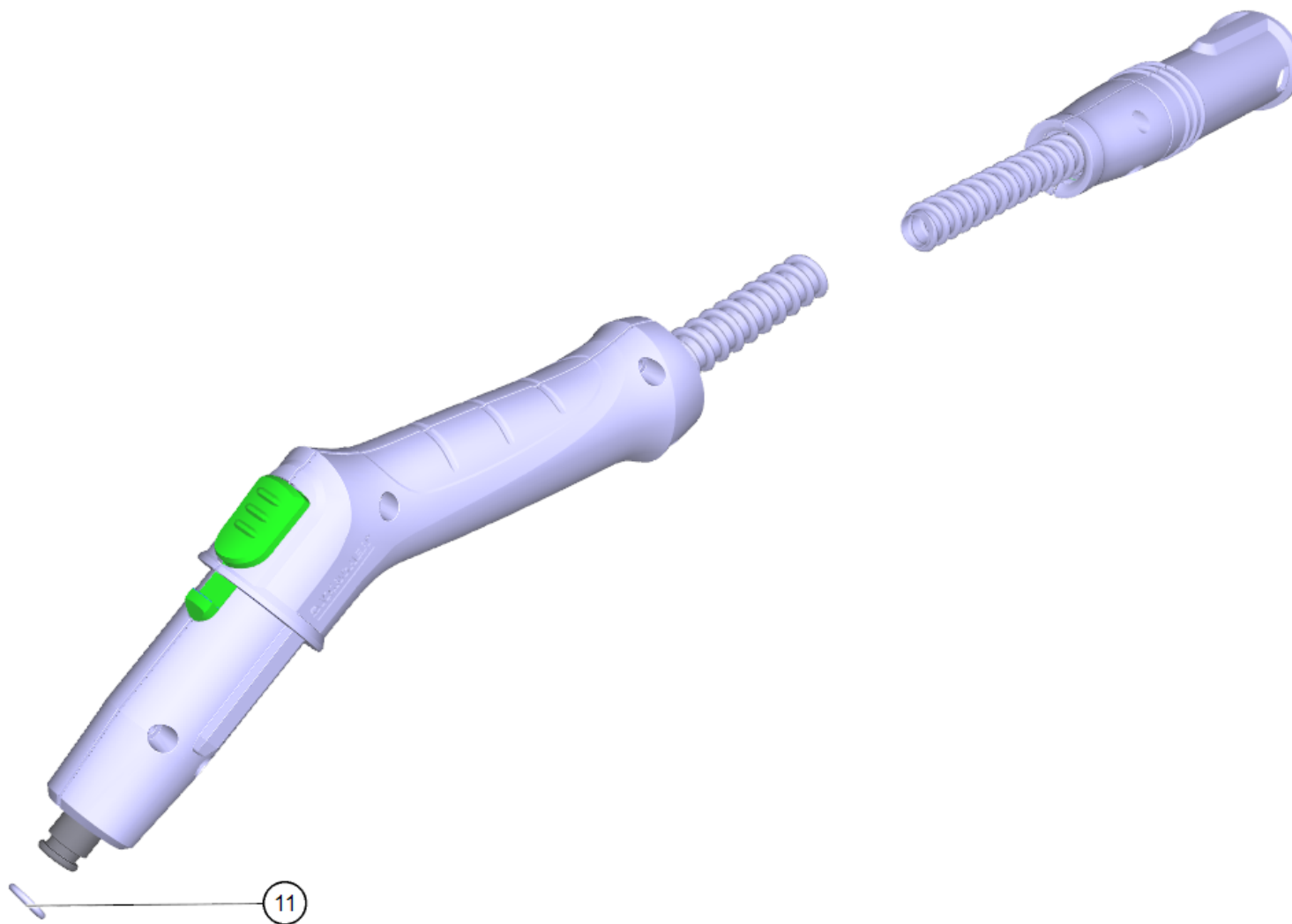
<b>POS</b>	<b>Article no.</b>	<b>Description</b>	<b>Quantity</b>	<b>Unit</b>
2	6.330-083.0	Pressure spring	1.000	ST



9006 Valve complete replacement SC 1 (4.580-045.0)

---

POS	Article no.	Description	Quantity	Unit
2	7.303-032.0	Screw M4x12 -St-R2R (In6Rd)	2.000	ST



9501 Extension hose special accessories SC 1 (2.863-021.0)

---

<b>POS</b>	<b>Article no.</b>	<b>Description</b>	<b>Quantity</b>	<b>Unit</b>
11	6.362-922.0	O-Ring seal 8,73x1,78	1.000	ST

9504 Extension pipe bk/gy (4.127-027.0)

---

<b>POS</b>	<b>Article no.</b>	<b>Description</b>	<b>Quantity</b>	<b>Unit</b>
4	6.362-922.0	O-Ring seal 8,73x1,78	1.000	ST