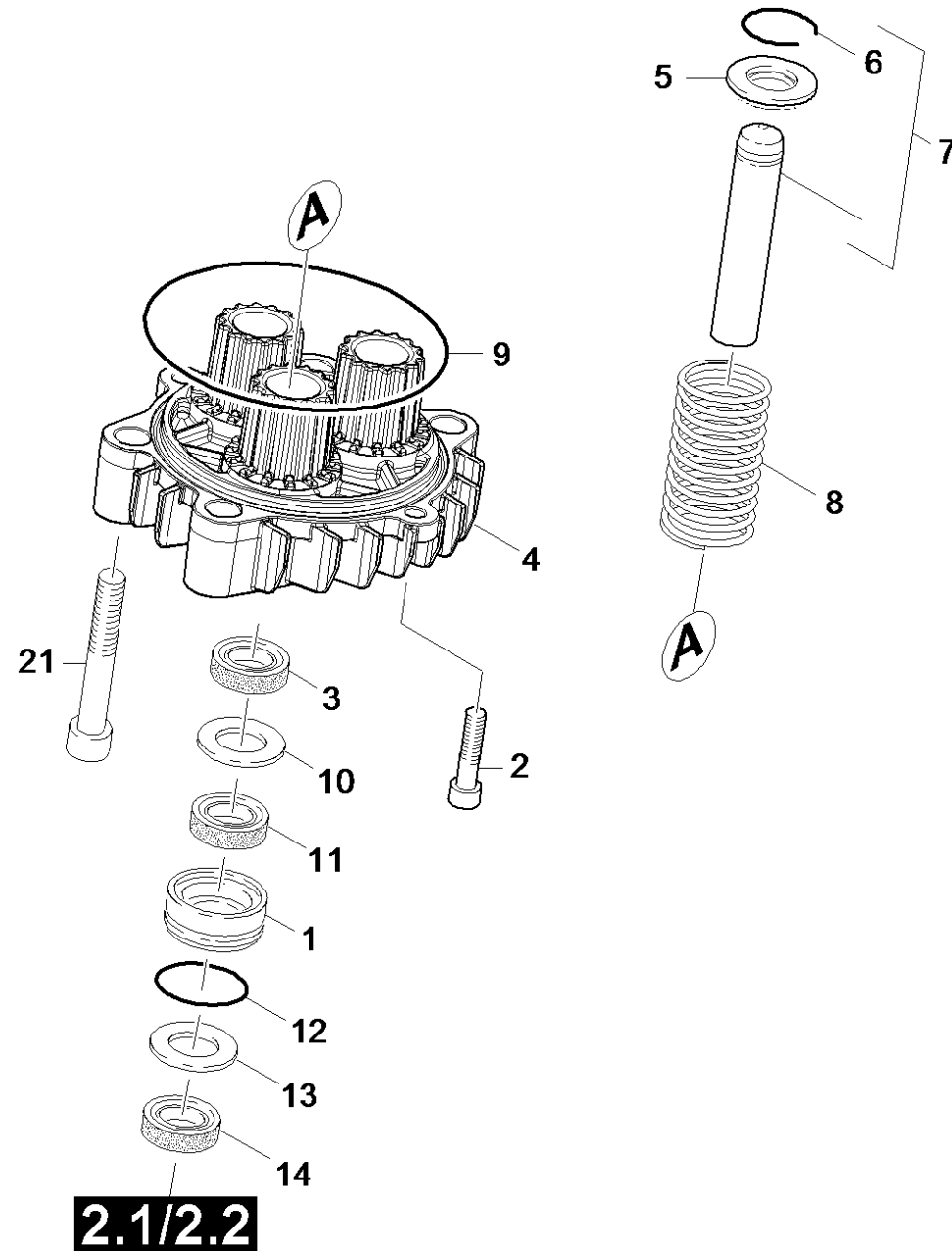


## 23 Thrust guidance

Professional \ High pressure cleaner cold water \ Electric motor \ HD 7/12 -4M \*KAP \ Spare parts list HD 6/16 \ Pump set \ Thrust guidance



## 23 Thrust guidance

Professional \ High pressure cleaner cold water \ Electric motor \ HD 7/12 -4M \*KAP \ Spare parts list HD 6/16 \ Pump set \ Thrust guidance



POS	Preces Nr.	Apraksts	Skaitis	Vieniba	Sērijas numurs no	Sērijas numurs līdz
1	5.112-402.0	Bukse	3.000	ST	0000000000	0000000000
	<b>Vienuma teksts 1:</b> 1.524-100.0 /-101.0 /-103.0 /-104.0 /-106.0 /-107.0 /-108.0 /-109.0 /-110.0 /-112.0 /-113.0					
1	5.112-340.0	Bush	3.000	ST		
	<b>Vienuma teksts 1:</b> 1.524-105.0					
21	7.306-807.0	Cylinder head screw M10x85-8.8-A3E ISO4	4.000	ST		
11	6.365-351.0	Gredzenblīve	3.000	ST	0000000000	0000000000
	<b>Vienuma teksts 1:</b> 1.524-100.0 /-101.0 /-103.0 /-104.0 /-106.0 /-107.0 /-108.0 /-109.0 /-110.0 /-112.0 /-113.0					
12	6.362-398.0	Gredzenblīve 27,5 X 1,5-NBR 70	3.000	ST	0000000000	0000000000
	<b>Vienuma teksts 1:</b> 1.524-100.0 /-101.0 /-103.0 /-104.0 /-106.0 /-107.0 /-108.0 /-109.0 /-110.0 /-112.0 /-113.0					
12	6.362-406.0	Gredzenblīve 33,05X 1,78-NBR 70	3.000	ST		
	<b>Vienuma teksts 1:</b> 1.524-105.0					
9	6.362-102.0	Gredzenblīve 90,0 X 3,0	1.000	ST	0000000000	0000000000
14	6.365-408.0	Gredzens ar gropi 16x24x5.3	3.000	ST	0000000000	0000000000
	<b>Vienuma teksts 1:</b> 1.524-100.0 /-101.0 /-103.0 /-104.0 /-106.0 /-107.0 /-108.0 /-109.0 /-110.0 /-112.0 /-113.0					
3	6.365-322.0	Gredzens ar gropi 16X24X7	3.000	ST	0000000000	0000000000
	<b>Vienuma teksts 1:</b> 1.524-100.0 /-101.0 /-103.0 /-104.0 /-106.0 /-107.0 /-108.0 /-109.0 /-110.0 /-112.0 /-113.0					
14	6.365-333.0	Gredzens ar gropi 18X26X5,4	3.000	ST		
	<b>Vienuma teksts 1:</b> 1.524-105.0					
3	6.365-334.0	Gredzens ar gropi 18X26X6/8	3.000	ST		
	<b>Vienuma teksts 1:</b> 1.524-105.0					
8	5.332-552.0	Helical spring	3.000	ST	0000000000	0000000000
	<b>Vienuma teksts 1:</b> 1.524-100.0 /-101.0 /-103.0 /-104.0 /-106.0 /-107.0 /-108.0 /-109.0 /-110.0 /-112.0 /-113.0					
4	4.061-017.0	Housing -nur für Ersatz-	1.000	ST		
	<b>Vienuma teksts 1:</b> 1.524-105.0					
11	6.365-332.0	Kompaktā blīve 18x28x5,8	3.000	ST		
	<b>Vienuma teksts 1:</b> 1.524-105.0					
4	5.061-083.0	Korpuss	1.000	ST	0000000000	0000000000
	<b>Vienuma teksts 1:</b> 1.524-100.0 /-101.0 /-103.0 /-104.0 /-106.0 /-107.0 /-108.0 /-109.0 /-110.0 /-112.0 /-113.0					
10	5.115-493.0	Paplāksne	3.000	ST	0000000000	0000000000
	<b>Vienuma teksts 1:</b> 1.524-100.0 /-101.0 /-103.0 /-104.0 /-106.0 /-107.0 /-108.0 /-109.0 /-110.0 /-112.0 /-113.0					
10	5.115-432.0	Paplāksne	3.000	ST		
	<b>Vienuma teksts 1:</b> 1.524-105.0					
13	5.115-431.0	Paplāksne	3.000	ST		

## 23 Thrust guidance

Professional \ High pressure cleaner cold water \ Electric motor \ HD 7/12 -4M \*KAP \ Spare parts list HD 6/16 \ Pump set \ Thrust guidance



POS	Preces Nr.	Apraksts	Skaitis	Vienība	Sērijas numurs no	Sērijas numurs līdz
		<b>Vienuma teksts 1:</b> 1.524-105.0				
13	5.115-492.0	Paplāksne	3.000	ST	0000000000	0000000000
		<b>Vienuma teksts 1:</b> 1.524-100.0 /-101.0 /-103.0 /-104.0 /-106.0 /-107.0 /-108.0 /-109.0 /-110.0 /-112.0 /-113.0				
5	5.116-150.0	Paplāksne D16	3.000	ST	0000000000	0000000000
		<b>Vienuma teksts 1:</b> 1.524-100.0 /-101.0 /-103.0 /-104.0 /-106.0 /-107.0 /-108.0 /-109.0 /-110.0 /-112.0 /-113.0				
7	4.553-263.0	Piston complete	3.000	ST		
		<b>Vienuma teksts 1:</b> 1.524-103.0				
7	4.553-244.0	Piston complete	3.000	ST	0000000000	0000000000
		<b>Vienuma teksts 1:</b> /1.524-100.0 /-101.0 /-106.0				
		<b>Vienuma teksts 2:</b> /-107.0 /-108.0 /-109.0 /-112.0 /-113.0				
7	4.553-262.0	Piston complete only for replacement	3.000	ST	0000000000	0000000000
		<b>Vienuma teksts 1:</b> /1.524-104.0 / -110.0				
100	2.885-019.0	Pump	1.000	ST		
		<b>Vienuma teksts 1:</b> 1.524-100.0 /-101.0 /-103.0 /-104.0 / -106.0 /-107.0 /-108.0 /-109.0 /-112.0 /-113.0				
100	2.885-020.0	Pump set for piston HD 7/18 M	1.000	ST		
		<b>Vienuma teksts 1:</b> 1.524-105.0				
2	7.306-094.0	Skrūve M6x25 -8.8-R3R (In6Rd)	2.000	ST	0000000000	0000000000
6	7.343-478.0	Snap ring A16 -FST DIN 7993	3.000	ST	0000000000	0000000000
		<b>Vienuma teksts 1:</b> 1.524-100.0 /-101.0 /-103.0 /-104.0 /-106.0 /-107.0 /-108.0 /-109.0 /-110.0 /-112.0 /-113.0				
6	7.343-473.0	Snap ring A18-FST DIN 7993	3.000	ST		
		<b>Vienuma teksts 1:</b> 1.524-105.0				
7	4.553-245.0	Spare part set	3.000	ST	0000000000	0000000000
		<b>Vienuma teksts 1:</b> /1.524-105.0				
8	5.332-529.0	Spirālveida atspere	3.000	ST		
		<b>Vienuma teksts 1:</b> 1.524-105.0				
5	5.116-134.0	Washer	3.000	ST		
		<b>Vienuma teksts 1:</b> 1.524-105.0				