

Spare parts list

(1.514-125.0) HD 5/15 CX Plus *EU

Table of contents

HD 5/15 CX Plus *EU (1.514-125.0)	4
Spare parts list HD 5/12CX HD 6/13CX (5.970-244.0)	5
10 Housing	6
11 Housing	7
12 Hose reel	9
2 Set (4.515-104.0)	11
14 Set (4.515-105.0)	13
20 Pump set	15
21 Cylinder head	16
4 Valve (3 Stück) (2.884-916.0)	19
11 Drain plug only for replacement (4.132-007.0)	21
20 Valve pin complete (4.584-022.0)	23
21 Nozzle insert only for replacement (4.769-034.0)	25
21 Nozzle insert (4.769-035.0)	27
24 Overflow valve (4.591-038.0)	29
31 Spindle complete (4.291-014.0)	30
100 PUMP SET HD 5/12 C (2.883-997.0)	32
10 Drain plug only for replacement (4.132-007.0)	34
20 Valve (3 Stück) (2.884-916.0)	36
22 Thrust guidance	38
30 Motor	40
Motor complete only for replacement (4.624-095.0)	43
12 Motor complete	45
40 Accessories	47
41 Hand trigger gun	48
1 HAND TRIGGER GUN EASY PRESS (4.775-463.0)	50
9002 Lever complete (4.481-209.0)	52
4 Lever complete (4.481-209.0)	54
42 Hand trigger gun	56
Hand trigger gun (4.775-492.0)	58
5 Lever complete (4.481-209.0)	60
43 Hand trigger gun	62
5 Lever complete (4.481-209.0)	64
44 Jet pipe	66
45 Jet pipe	68
1 Jet pipe packaged only for replacement (4.760-663.0)	70
14 Screw connector part (5.401-210.0)	72
46 Nozzle	73

Table of contents

47 Nozzle	75
Triple jet nozzle replacement 033 (4.767-146.0)	77
2 Spare parts list triple jet nozzle (5.970-837.0)	78
10 Triple jet nozzle plastics	79
20 Triple jet nozzle brass	81
Triple jet nozzle replacement 034 (4.767-147.0)	83
2 Spare parts list triple jet nozzle (5.970-837.0)	84
10 Triple jet nozzle plastics	85
20 Triple jet nozzle brass	87
Triple jet nozzle replacement 036 (4.767-148.0)	89
2 Spare parts list triple jet nozzle (5.970-837.0)	90
10 Triple jet nozzle plastics	91
20 Triple jet nozzle brass	93
Triple jet nozzle replacement 038 (4.767-149.0)	95
2 Spare parts list triple jet nozzle (5.970-837.0)	96
10 Triple jet nozzle plastics	97
20 Triple jet nozzle brass	99
Triple jet nozzle only for replacement 0 (4.767-195.0)	101
2 Spare parts list triple jet nozzle (5.970-837.0)	102
10 Triple jet nozzle plastics	103
20 Triple jet nozzle brass	105
48 Surface cleaner	107
13 Spare part set Rotor FR Classic (2.885-297.0)	109
10 Rotor complete T 400	111
14 Spare part set nozzles 020 (2.885-312.0)	113
1 Nozzle complete 15020	115
14 Spare parts set power nozzle 15017 (2.885-313.0)	117
1 Power nozzle kpl 15017	119
21 Spare part set Lagerzapfen (2.885-298.0)	121
24 Screw union (4.402-022.0)	123
25 Screw connector part (5.401-210.0)	124
50 Electric box	125

HD 5/15 CX Plus *EU (1.514-125.0)

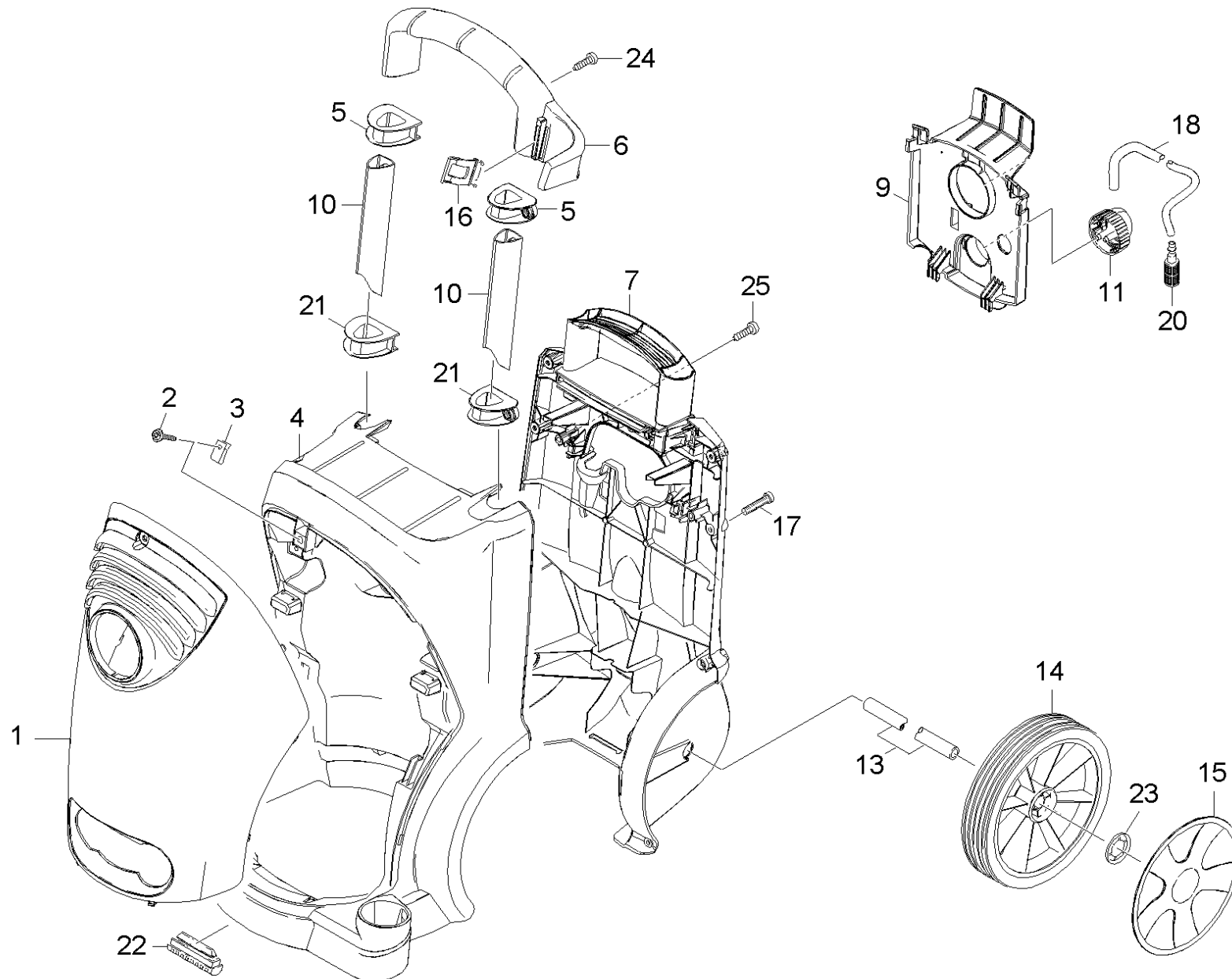
POS	Article no.	Description	Quantity	Unit
0	5.970-244.0	Spare parts list HD 5/12CX HD 6/13CX	1.000	ST
Item text2: 3F5EC49208DA0066E1000000C34F56CF15145010				

Spare parts list HD 5/12CX HD 6/13CX (5.970-244.0)

POS	Description	Quantity	Unit
10	Housing	1.000	ST
20	Pump set	1.000	ST
30	Motor	1.000	ST
40	Accessories	1.000	ST
50	Electric box	1.000	ST

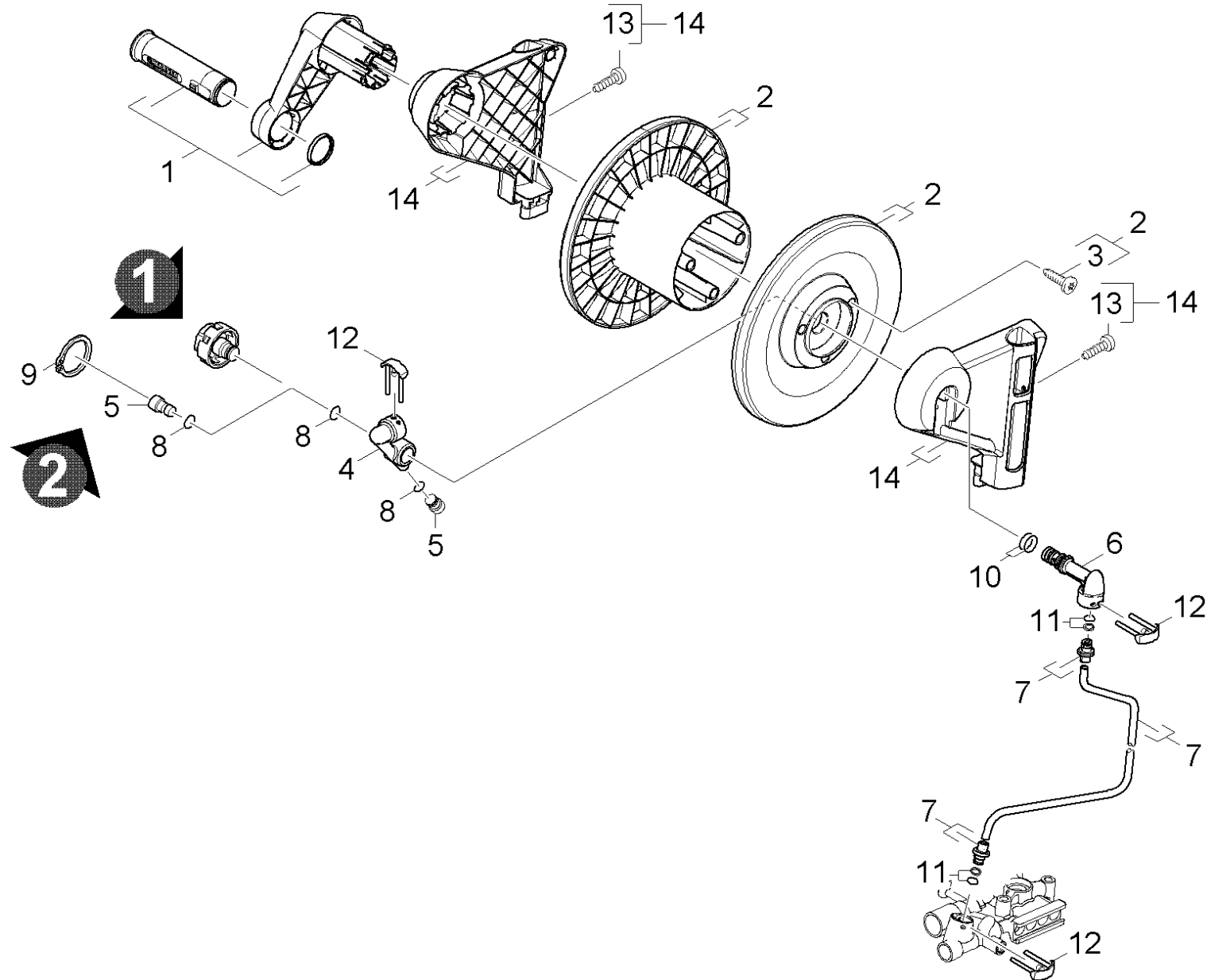
10 Housing

POS	Description	Quantity	Unit
11	Housing	1.000	ST
12	Hose reel	1.000	ST



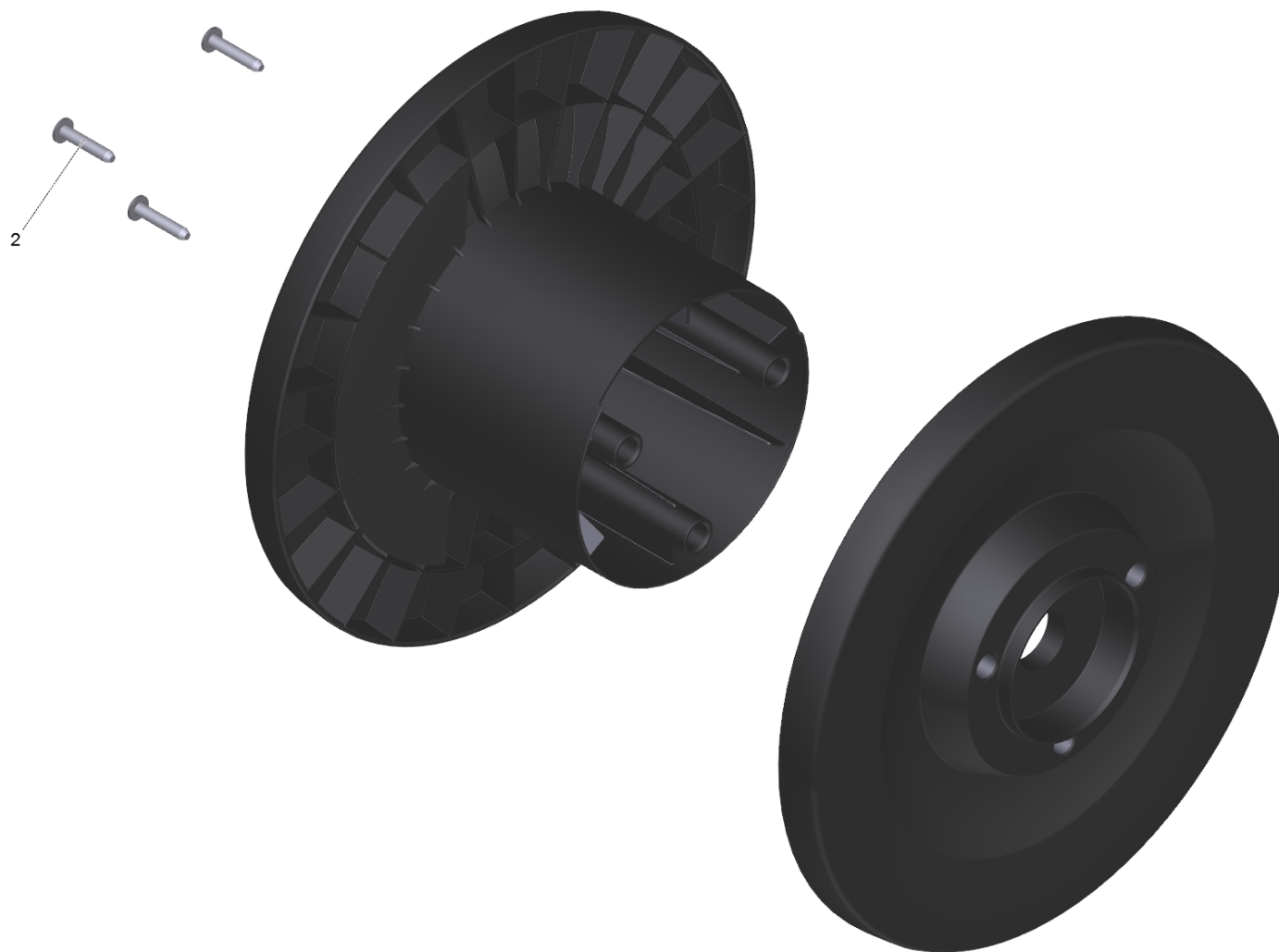
11 Housing

POS	Article no.	Description	Quantity	Unit	Foot note text
1	5.069-089.0	Device cover	1.000	ST	
2	6.304-099.0	Saucer-head screw M 6x 18-4.8-R2R	1.000	ST	
3	6.310-053.0	Putting nut	1.000	ST	
4	5.050-206.3	Frame front part	1.000	ST	
5	5.032-554.0	Guide	2.000	ST	
6	5.321-721.0	Hand grip	1.000	ST	
7	5.050-207.0	Frame rear panel	1.000	ST	
9	5.032-648.0	Covering cap	1.000	ST	
10	5.107-248.0	Bar shearing shackle	2.000	ST	
11	4.063-778.0	Proportioning valve chemistry	1.000	ST	
13	5.105-399.0	Axle	1.000	ST	
14	6.435-662.0	Wheel D200	2.000	ST	
15	4.515-103.0	Spare parts set wheel cap	1.000	ST	SET OF 2 PIECES
16	5.044-216.0	Holder	1.000	ST	
17	7.303-108.0	Screw 5x20 -10.9-R2R (In6Rd)	10.000	ST	
18	6.388-216.0	Hose DN 5	1.000	M	TO ORDER AS CUT GOODS
20	5.731-652.0	Filter with weight	1.000	ST	
21	5.032-555.0	Guide	2.000	ST	
22	5.057-062.0	Support	2.000	ST	
23	6.343-168.0	Lock washer	2.000	ST	
24	7.303-046.0	Screw M6x12 -St-R3R (In6Rd)	2.000	ST	
25	7.303-156.0	Screw M6x40 -St-P3R (In6Rd)	2.000	ST	



12 Hose reel

POS	Article no.	Description	Quantity	Unit
1	4.481-213.0	Crank complete	1.000	ST
2	4.515-104.0	Set	1.000	ST
3	6.303-200.0	Screw 5x25-IN6RD	3.000	ST
4	5.427-326.0	Manifold	1.000	ST
5	5.411-161.0	CLOSING SCREW M10X1	2.000	ST
6	5.427-328.0	Manifold	1.000	ST
7	4.421-838.0	Pipelines complete	1.000	ST
8	6.362-703.0	O-Ring seal 6,0x1,5-NBR 70	2.000	ST
9	7.343-018.0	Locking ring 18x1,2-Rf-St DIN 471	1.000	ST
10	4.363-693.0	O-Ring seal kpl. -nur fuer Ersatz-	2.000	ST
11	4.363-691.0	O-Ring seal kpl. -nur fuer Ersatz-	2.000	ST
12	4.037-013.0	Hook	3.000	ST
13	7.303-046.0	Screw M6x12 -St-R3R (In6Rd)	2.000	ST
14	4.515-105.0	Set	1.000	ST



2 Set (4.515-104.0)

POS	Article no.	Description	Quantity	Unit
2	6.303-200.0	Screw 5x25-IN6RD	3.000	ST

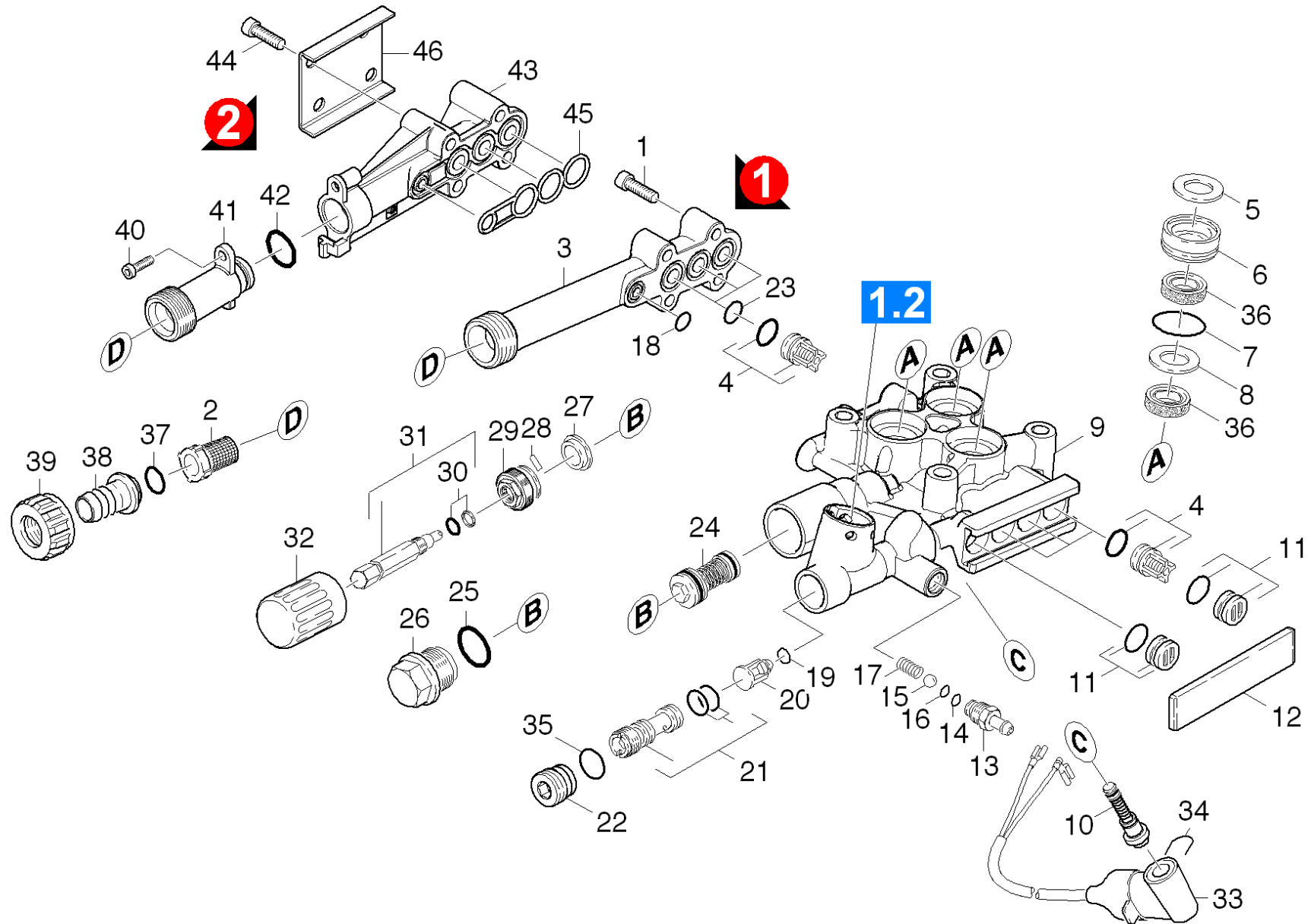


14 Set (4.515-105.0)

POS	Article no.	Description	Quantity	Unit
4	7.303-046.0	Screw M6x12 -St-R3R (In6Rd)	3.000	ST

20 Pump set

POS	Description	Quantity	Unit
21	Cylinder head	1.000	ST
22	Thrust guidance	1.000	ST

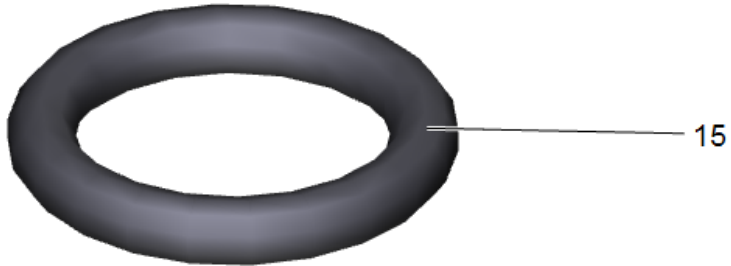
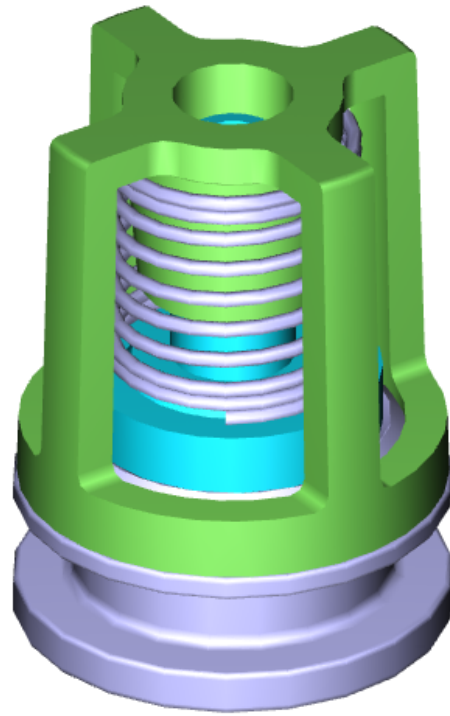


21 Cylinder head

POS	Article no.	Description	Quantity	Unit	Remark	Foot note text
1	7.306-105.0	Screw M6x30 -8.8-R3R (In6Rd)	4.000	ST		
2	6.414-252.0	Strainer	1.000	ST		
3	5.064-150.0	Suction cover	1.000	ST		
4	2.884-916.0	Valve (3 Stück)	2.000	ST		SET CONSITSTS OF 3X VALVE
5	5.116-093.0	Washer	3.000	ST		
6	5.112-726.0	Bush	3.000	ST		
7	6.362-376.0	O-Ring seal 24,0 X 1,5	3.000	ST		
8	5.115-721.0	Washer	3.000	ST		
9	5.550-306.3	Cylinder head	1.000	ST		
10	2.884-501.0	Spare part set control piston	1.000	ST		
11	4.132-007.0	Drain plug only for replacement	4.000	ST		
12	5.003-062.0	Plate	1.000	ST		
13	5.443-624.0	Nipple	1.000	ST		
14	6.362-113.0	O-Ring seal 6,0 x 2,0 NBR 70	1.000	ST		
15	7.401-908.0	Sphere 7 G300 -1.4301 DIN 5401	1.000	ST		
16	6.363-597.0	O-Ring seal 5,28 x 1,78	1.000	ST		
17	5.332-258.0	Helical spring	1.000	ST		
18	6.362-384.0	O-Ring seal 9x1,5 - NBR 70	1.000	ST		
19	6.363-613.0	O-Ring seal 4 x 2 -NBR90	1.000	ST		
20	4.584-022.0	Valve pin complete	1.000	ST		
21	4.769-035.0	Nozzle insert	1.000	ST		
	Item text1: 1.514-114.0 /-502.0 /-601.0 /-651.0					
	Item text2: / -652.0					
21	4.769-034.0	Nozzle insert only for replacement	1.000	ST		
	Item text1: 1.514-125.0 /-128.0 /-501.0 /-551.0 /-552.0 /-553.0 /-554.0 /					
22	5.411-171.0	Screw plug	1.000	ST		
23	6.362-533.0	O-Ring seal 14,0 X 1,5-NBR 70	3.000	ST		
24	4.591-038.0	Overflow valve	1.000	ST		
25	6.362-989.0	O-Ring seal 18x2 - NBR 80	1.000	ST	HD 5/12 CX	
26	5.411-172.0	Screw plug	1.000	ST	HD 5/12 CX	
27	5.110-630.0	Sleeve	1.000	ST	HD 5/14 CX ;HD 5/15 CX ;HD 6/13 CX	
28	7.314-629.0	Grooved pin 2x10 -A1 ISO 8742	1.000	ST	HD 5/14 CX ;HD 5/15 CX ;HD 6/13 CX	
29	5.583-147.0	Valve screw	1.000	ST	HD 5/14 CX ;HD 5/15 CX ;HD 6/13 CX	

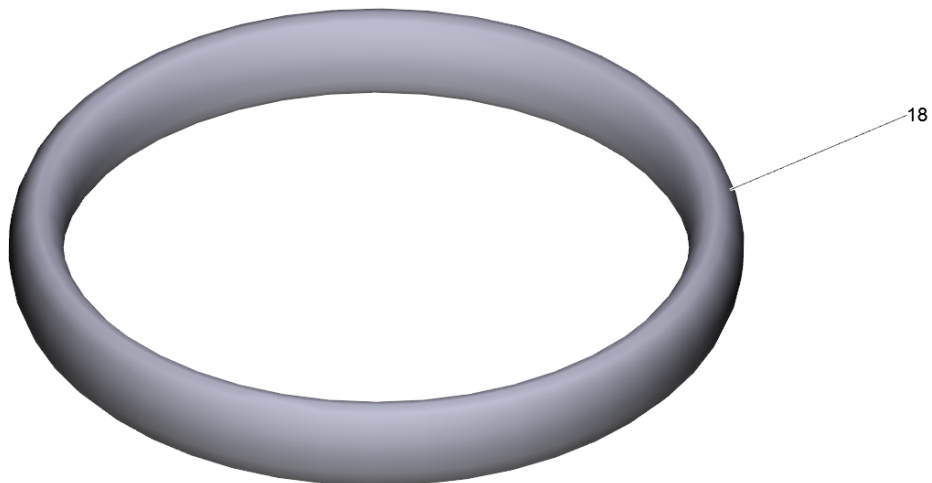
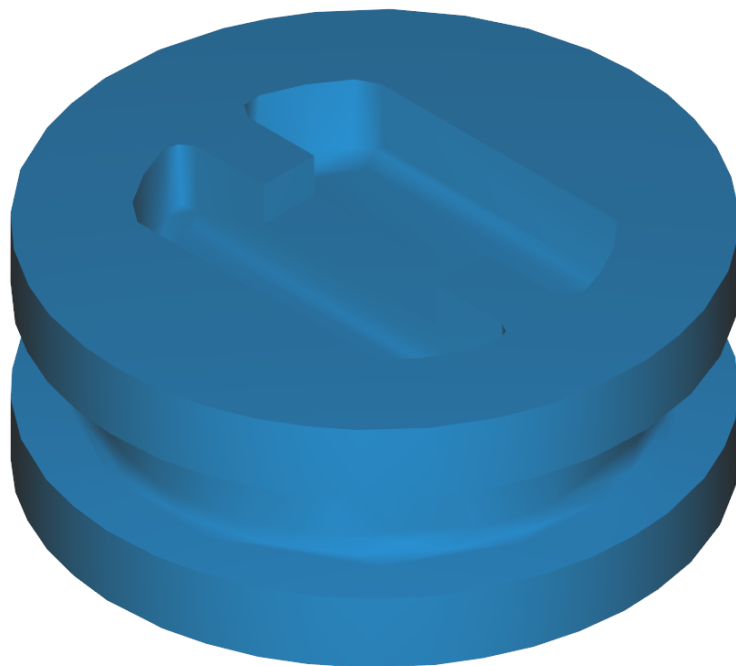
21 Cylinder head

POS	Article no.	Description	Quantity	Unit	Remark	Foot note text
30	6.362-468.0	O-Ring seal complete 1ST.-R.	1.000	ST	HD 5/14 CX ;HD 5/15 CX ;HD 6/13 CX	
31	4.291-014.0	Spindle complete	1.000	ST	HD 5/14 CX ;HD 5/15 CX ;HD 6/13 CX	
32	5.321-307.0	Handhold	1.000	ST	HD 5/14 CX ;HD 5/15 CX ;HD 6/13 CX	
33	4.744-168.0	Switch complete	1.000	ST		
34	5.034-494.0	Retaining bracket	1.000	ST		
35	6.362-480.0	O-Ring seal 12,42x 1,78	1.000	ST		
36	6.365-477.0	Grooved ring 12x20x5,3/2,8	6.000	ST		
37	6.362-078.0	O-Ring seal 13,3x2,4	1.000	ST		
38	5.443-229.0	Hose stem	1.000	ST		
39	5.310-065.0	Nut	1.000	ST		
40	7.303-108.0	Screw 5x20 -10.9-R2R (In6Rd)	1.000	ST		
41	5.402-727.0	Suction nipple	1.000	ST		
42	6.362-481.0	O-Ring seal 14,0 x 2,0 NBR 80	1.000	ST		
43	5.064-230.0	Suction cover	1.000	ST		
44	7.306-129.0	Screw M6x40 -8.8-R3R (In6Rd)	4.000	ST		
45	5.365-284.0	Profile gasket	1.000	ST		
46	5.005-314.0	Plate suction cover	1.000	ST		
100	2.883-997.0	PUMP SET HD 5/12 C	1.000	ST		



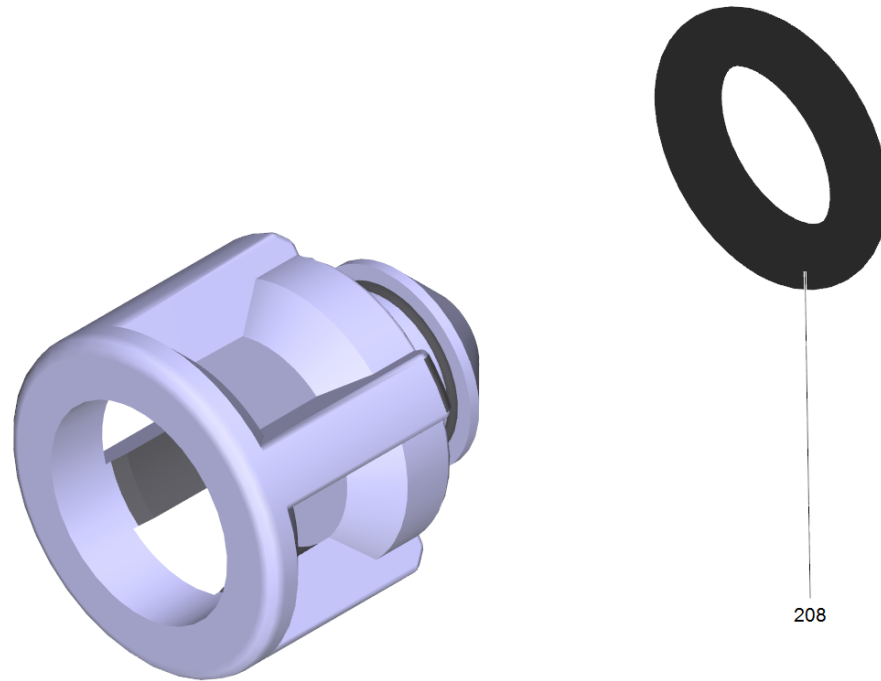
4 Valve (3 Stück) (2.884-916.0)

POS	Article no.	Description	Quantity	Unit
15	6.362-077.0	O-Ring seal 10 x 2,2 NBR 70	1.000	ST



11 Drain plug only for replacement (4.132-007.0)

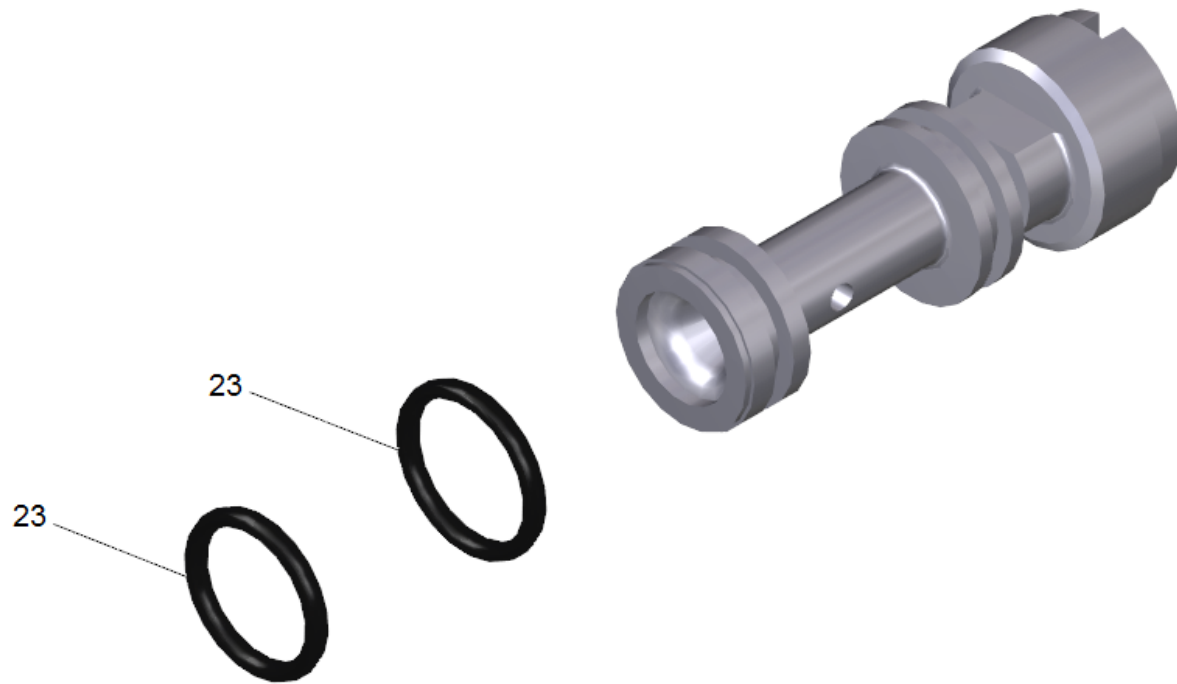
POS	Article no.	Description	Quantity	Unit
18	6.362-458.0	O-Ring seal 11,0x2,0-NBR 70	1.000	ST



208

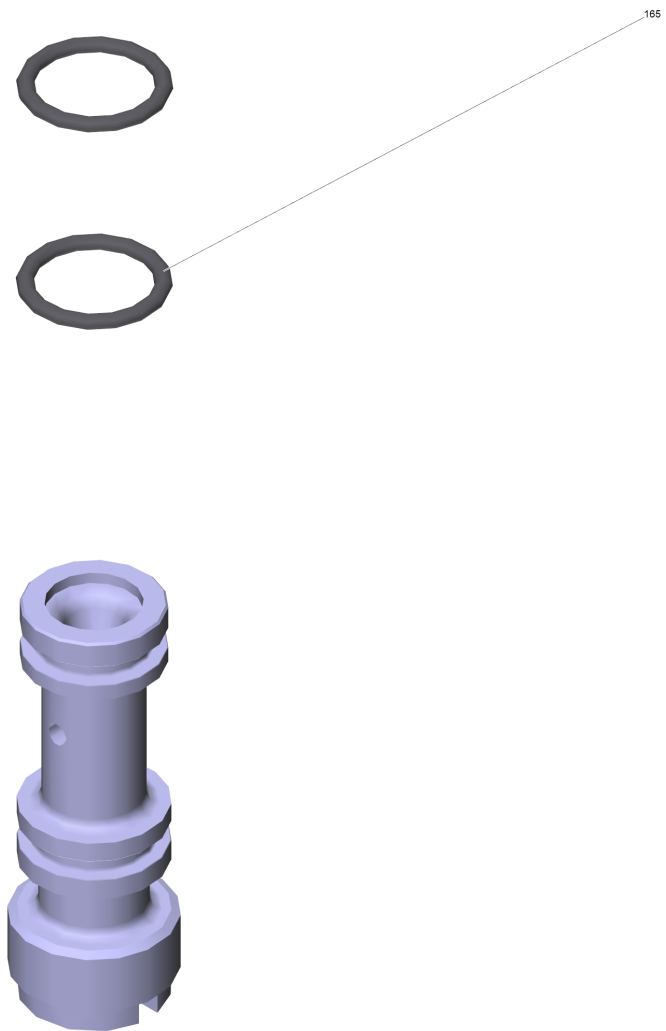
20 Valve pin complete (4.584-022.0)

POS	Article no.	Description	Quantity	Unit
208	6.363-613.0	O-Ring seal 4 x 2 -NBR90	1.000	ST



21 Nozzle insert only for replacement (4.769-034.0)

POS	Article no.	Description	Quantity	Unit
23	6.362-384.0	O-Ring seal 9x1,5 - NBR 70	2.000	ST

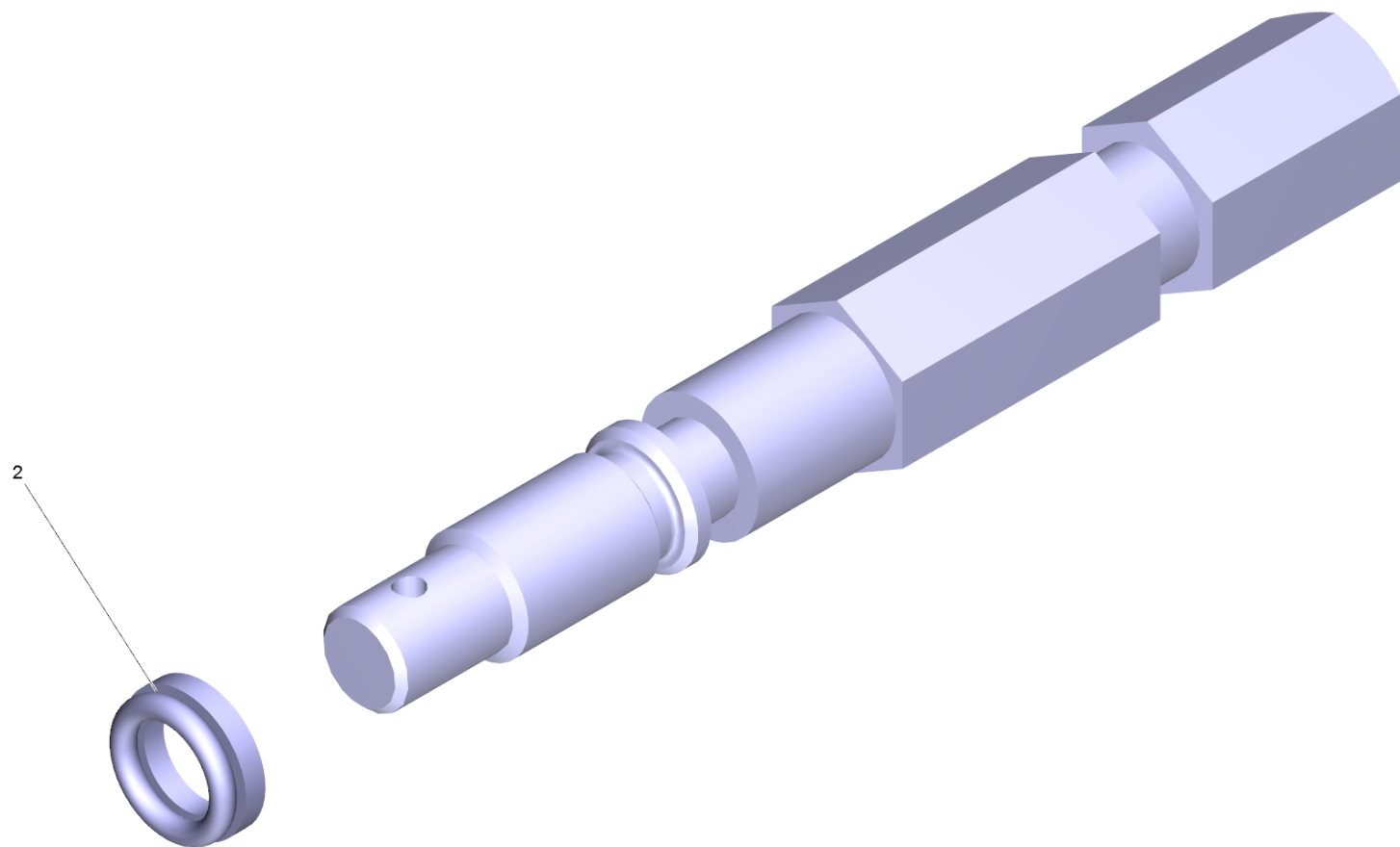


21 Nozzle insert (4.769-035.0)

POS	Article no.	Description	Quantity	Unit
165	6.362-384.0	O-Ring seal 9x1,5 - NBR 70	2.000	ST

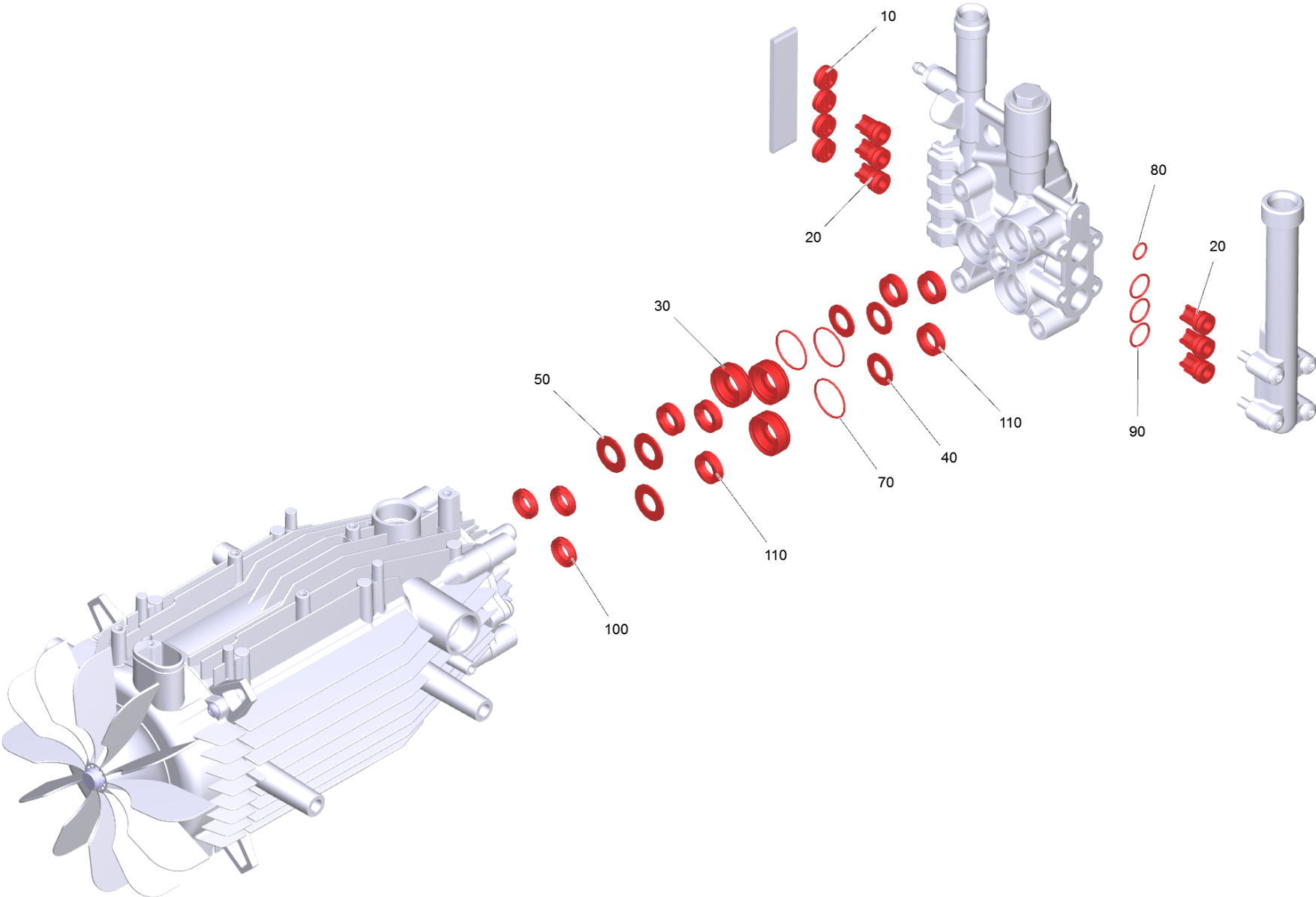
24 Overflow valve (4.591-038.0)

POS	Article no.	Description	Quantity	Unit
14	5.305-264.0	Shaped screw	1.000	ST
20	5.332-425.0	Helical spring	1.000	ST
26	5.553-390.0	Piston	1.000	ST
28	5.581-230.0	Valve seat	1.000	ST
42		Grease PFAE	1.000	KG
44	6.362-169.0	O-Ring seal 12,0 X 2,0	1.000	ST
47	6.362-454.0	O-Ring seal complete 2ST.-R.	1.000	ST



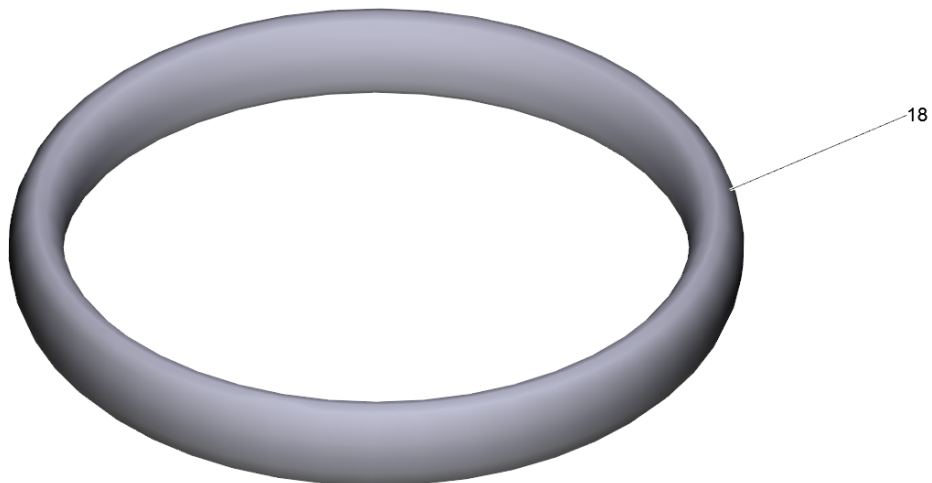
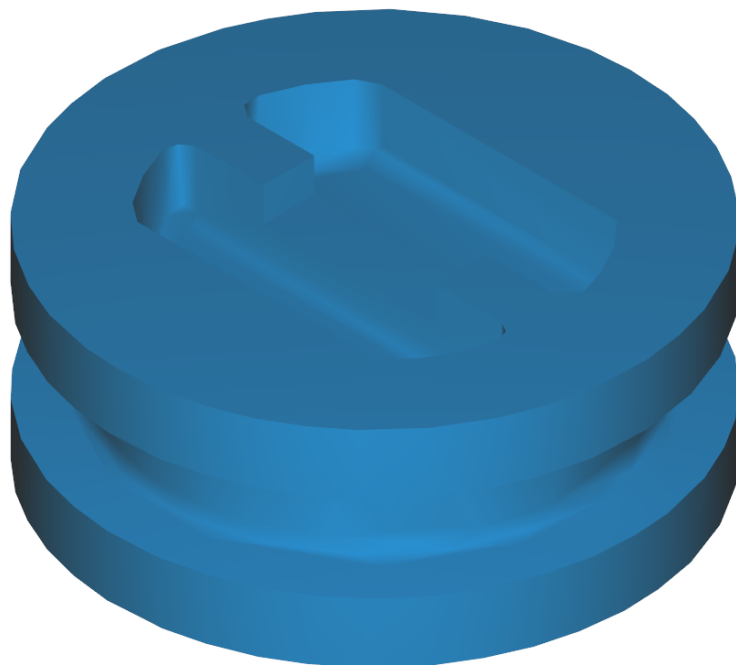
31 Spindle complete (4.291-014.0)

POS	Article no.	Description	Quantity	Unit
2	6.362-468.0	O-Ring seal complete 1ST.-R.	1.000	ST



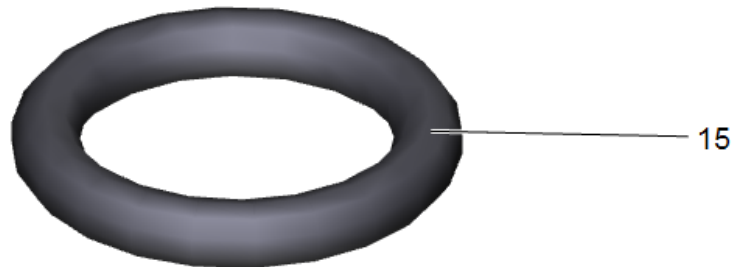
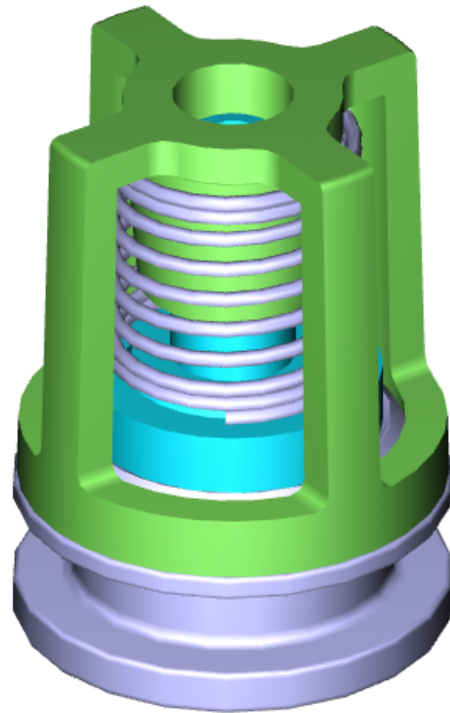
100 PUMP SET HD 5/12 C (2.883-997.0)

POS	Article no.	Description	Quantity	Unit
10	4.132-007.0	Drain plug only for replacement	4.000	ST
20	2.884-916.0	Valve (3 Stück)	2.000	ST
30	5.112-726.0	Bush	3.000	ST
40	5.115-721.0	Washer	3.000	ST
50	5.116-093.0	Washer	3.000	ST
60	6.288-072.0	Silicon grease	1.000	ST
70	6.362-376.0	O-Ring seal 24,0 X 1,5	3.000	ST
80	6.362-384.0	O-Ring seal 9x1,5 - NBR 70	1.000	ST
90	6.362-533.0	O-Ring seal 14,0 X 1,5-NBR 70	3.000	ST
100	6.365-001.0	Grooved ring 12x20x4/6	3.000	ST
110	6.365-477.0	Grooved ring 12x20x5,3/2,8	6.000	ST



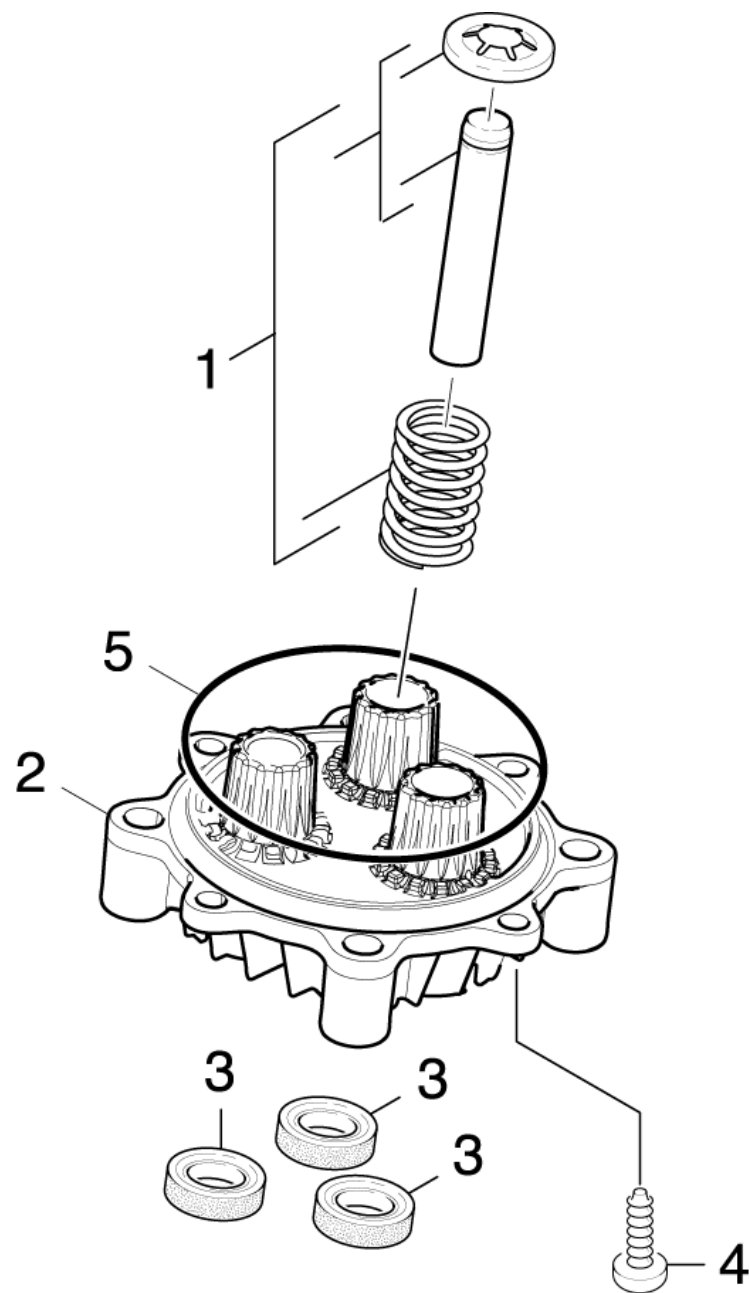
10 Drain plug only for replacement (4.132-007.0)

POS	Article no.	Description	Quantity	Unit
18	6.362-458.0	O-Ring seal 11,0x2,0-NBR 70	1.000	ST



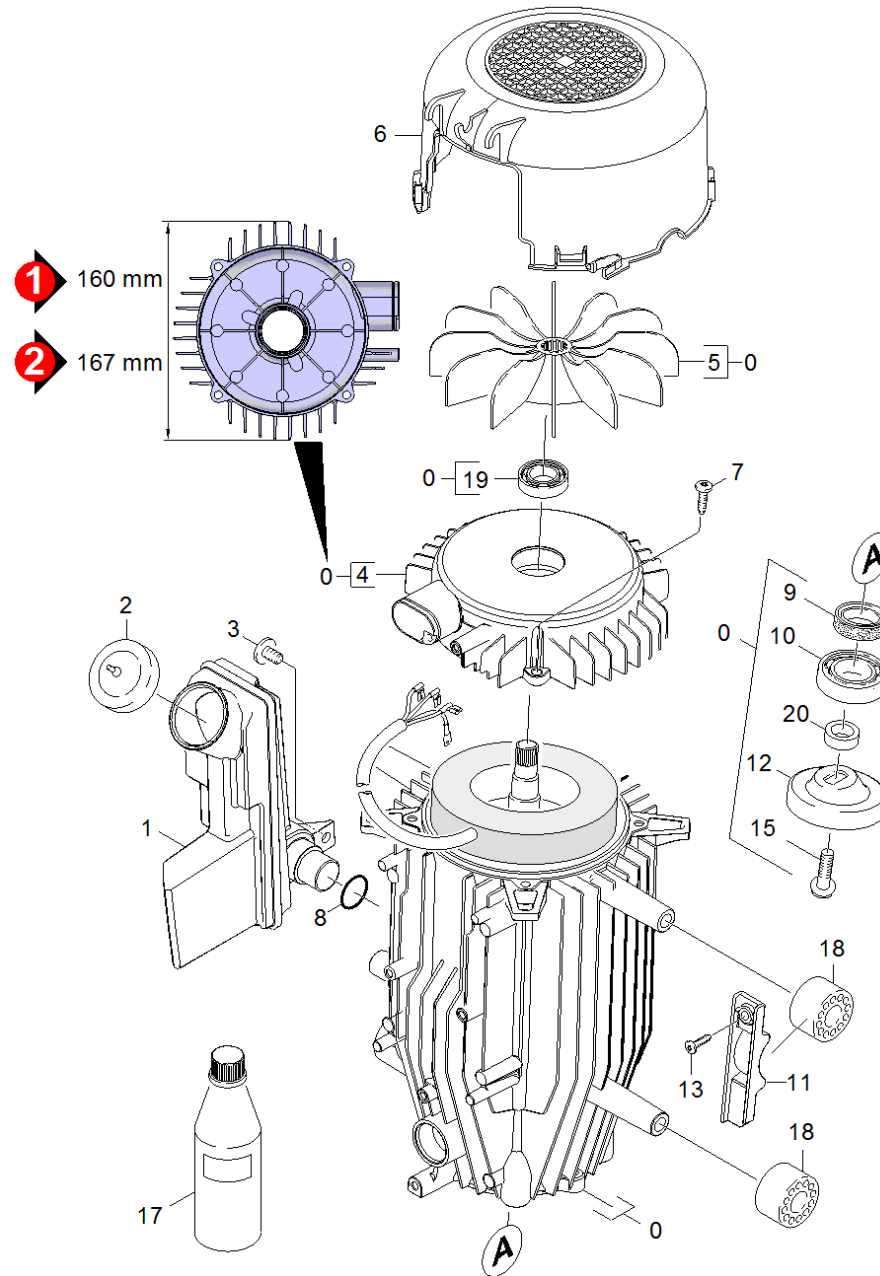
20 Valve (3 Stück) (2.884-916.0)

POS	Article no.	Description	Quantity	Unit
15	6.362-077.0	O-Ring seal 10 x 2,2 NBR 70	1.000	ST



22 Thrust guidance

POS	Article no.	Description	Quantity	Unit
1	4.553-231.0	Piston complete only for replacement	3.000	ST
	Item text1: 1.514-601.0 /-651.0 /-652.0 /			
1	4.553-230.0	Piston complete	3.000	ST
	Item text1: 1.514-114.0 /-125.0 /-128.0 /-501.0 /-502.0 /-551.0 /-552.0 /-553.0 /-554.0			
2	5.061-018.3	Thrust guidance	1.000	ST
3	6.365-001.0	Grooved ring 12x20x4/6	3.000	ST
4	7.303-047.0	Screw M6x16 -St-R3R (In6Rd)	2.000	ST
5	6.363-077.0	O-Ring seal 75x3	1.000	ST

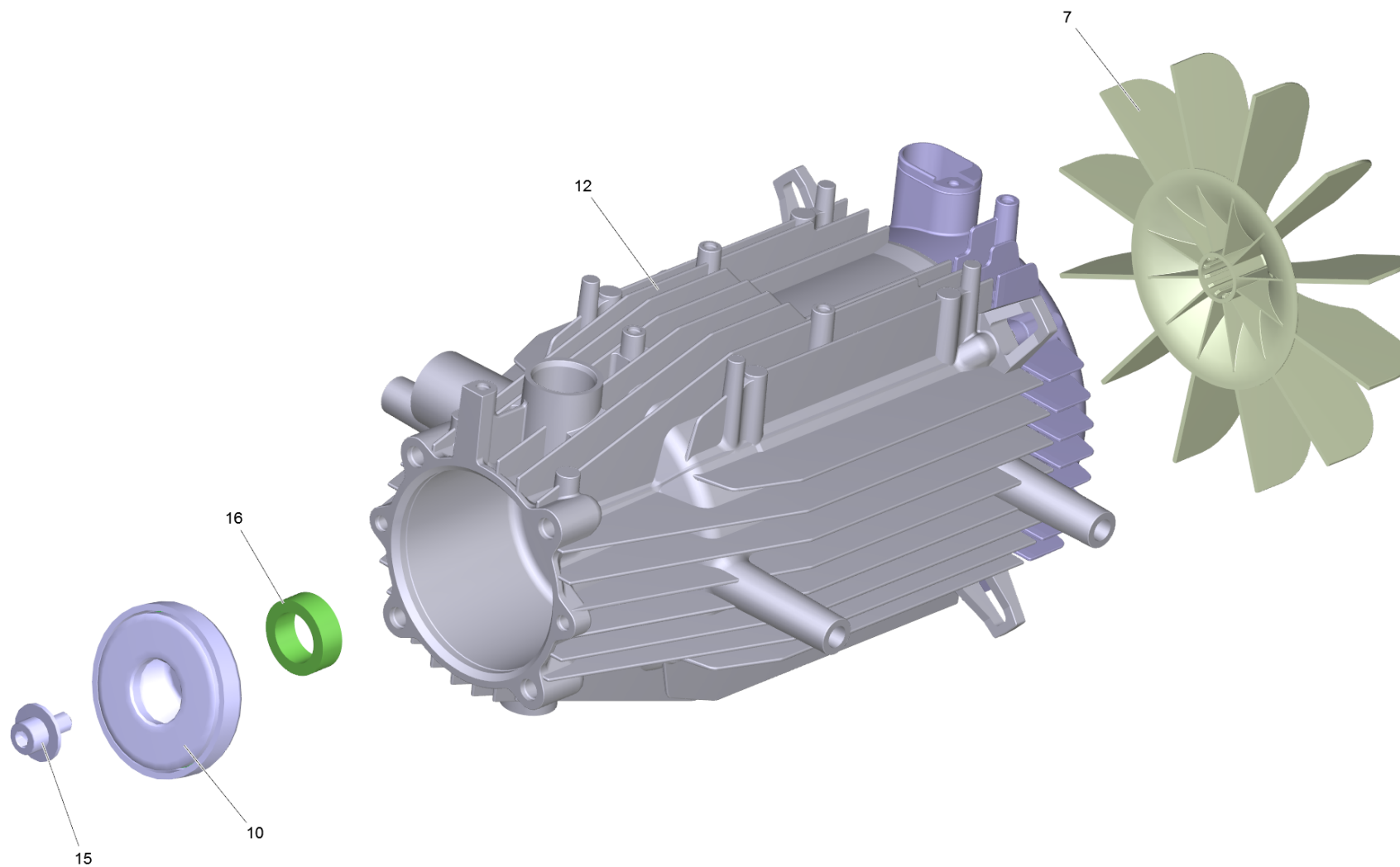


30 Motor

POS	Article no.	Description	Quantity	Unit	Foot note text
0	4.624-093.0	Motor complete only for replacement	1.000	ST	VERSION 2
		Item text1: 1.514-651.0 /-652.0			
0	4.623-615.0	Motor complete	1.000	ST	VERSION 1
		Item text1: / 1.514-501.0 / -551.0 / -552.0			
		Item text2: / -553.0 /-554.0			
0	4.624-091.0	Motor complete only for replacement	1.000	ST	VERSION 2
		Item text1: 1.514-551.0 /-552.0 /-553.0 /-554.0			
0	4.624-095.0	Motor complete only for replacement	1.000	ST	VERSION 2
		Item text1: 1.514-125.0 /-128.0			
0	4.623-618.0	Motor complete	1.000	ST	VERSION 1
		Item text1: / 1.514-601.0 / -651.0 /-652.0 /			
0	4.623-815.0	Motor complete	1.000	ST	
		Item text1: 1.514-114.0 /-502.0			
0	4.624-012.0	Motor complete only for replacement	1.000	ST	VERSION 1
		Item text1: 1.514-125.0			
1	5.070-639.0	Tank oil	1.000	ST	
2	5.063-389.0	Cover	1.000	ST	
3	6.303-153.0	Screw M5x15-ST-R2R (IN6RD)	1.000	ST	
4	5.094-148.0	Bearing cover B	1.000	ST	VERSION 2
4	5.094-127.0	Bearing cover B	1.000	ST	VERSION 1
5	5.600-060.0	Blower wheel	1.000	ST	
6	5.692-081.0	Air circulation	1.000	ST	
7	6.303-320.0	Screw M 5x 20-St-R2R	4.000	ST	
8	6.362-161.0	O-Ring seal 19,3 X 2,4	1.000	ST	
9	7.367-001.0	Radial shaft seal ring A24x37x7 -NBR DI	1.000	ST	
10	6.401-437.0	Ball bearing	1.000	ST	
		Item text1: 1.514-114.0 /-501.0 /-502.0 /-551.0			
		Item text2: /-552.0 /-553.0 /-601.0 /-651.0			
10	6.401-427.0	Angular contact ball bearing	1.000	ST	
		Item text1: 1.514-125.0 /-128.0			
11	5.802-288.0	Mounting part	2.000	ST	
12	6.401-395.0	Wobble plate	1.000	ST	
		Item text1: / 1.514-601.0 / -651.0 /-652.0 /			

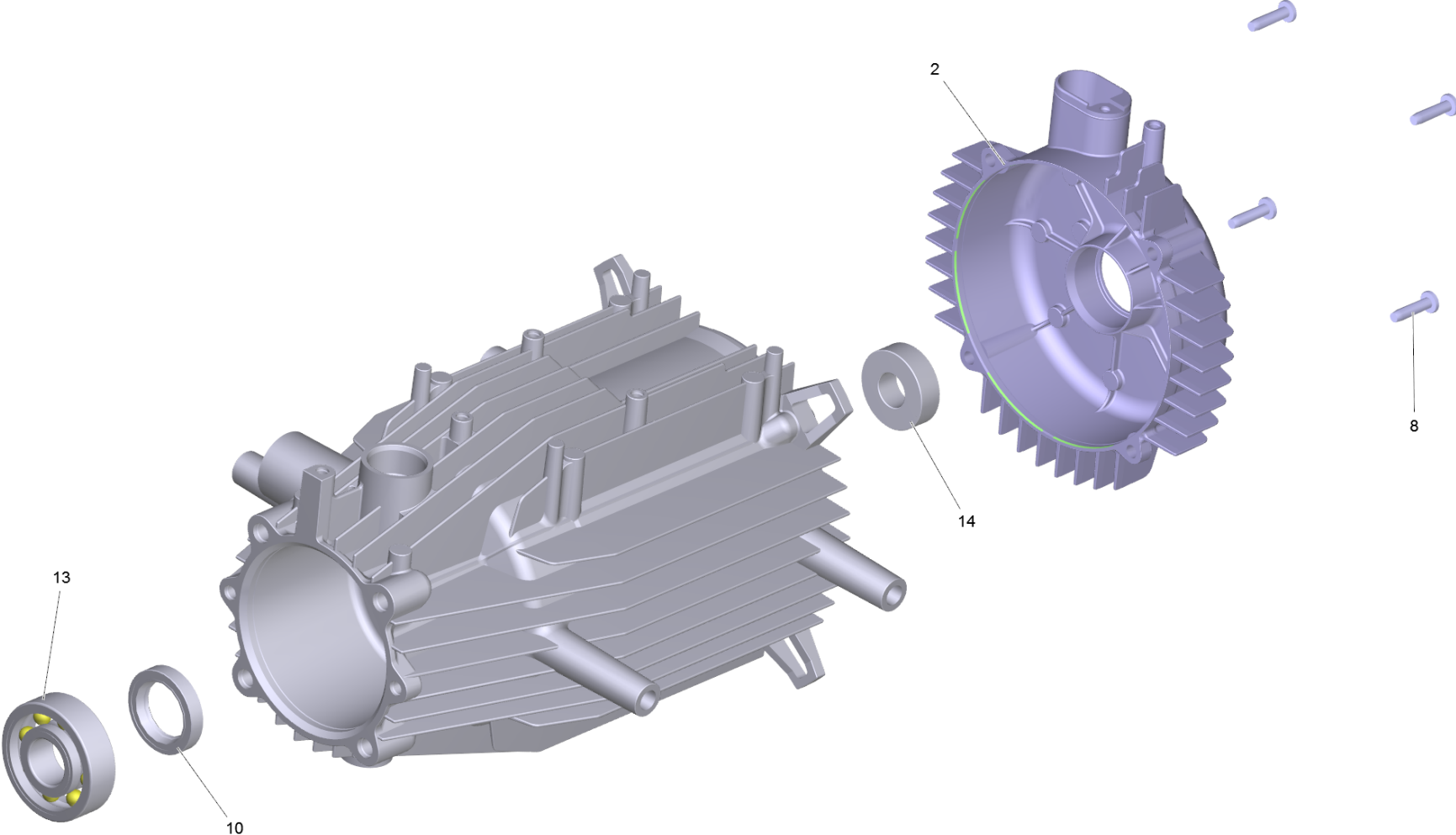
30 Motor

POS	Article no.	Description	Quantity	Unit	Foot note text
12	6.401-289.0	Wobble plate	1.000	ST	
	Item text1: / 1.514-114.0 /-125.0 /-128.0 /-501.0 /-502.0 /-551.0 / -552.0 /-553.0 /-554.0				
13	7.303-108.0	Screw 5x20 -10.9-R2R (In6Rd)	2.000	ST	
15	9.086-169.0	Wobble plate screw M8x16	1.000	ST	
17	6.288-050.0	Engine oil 1L	1.000	ST	
18	5.767-005.0	Rubber buffer	4.000	ST	
19	7.401-128.0	Ball bearing 6202-2RS -Wälzl.St DIN 625	1.000	ST	
20	5.116-144.0	Washer	1.000	ST	VERSION 2
	Item text1: 1.514-125.0 /-128.0 /-551.0 /-552.0 /-553.0 / -554.0 /-651.0 /-652.0				



Motor complete only for replacement (4.624-095.0)

POS	Article no.	Description	Quantity	Unit
7	5.600-060.0	Blower wheel	1.000	ST
10	6.401-289.0	Wobble plate	1.000	ST
12		Motor complete	1.000	ST
15	9.086-169.0	Wobble plate screw M8x16	1.000	ST
16	5.116-144.0	Washer	1.000	ST

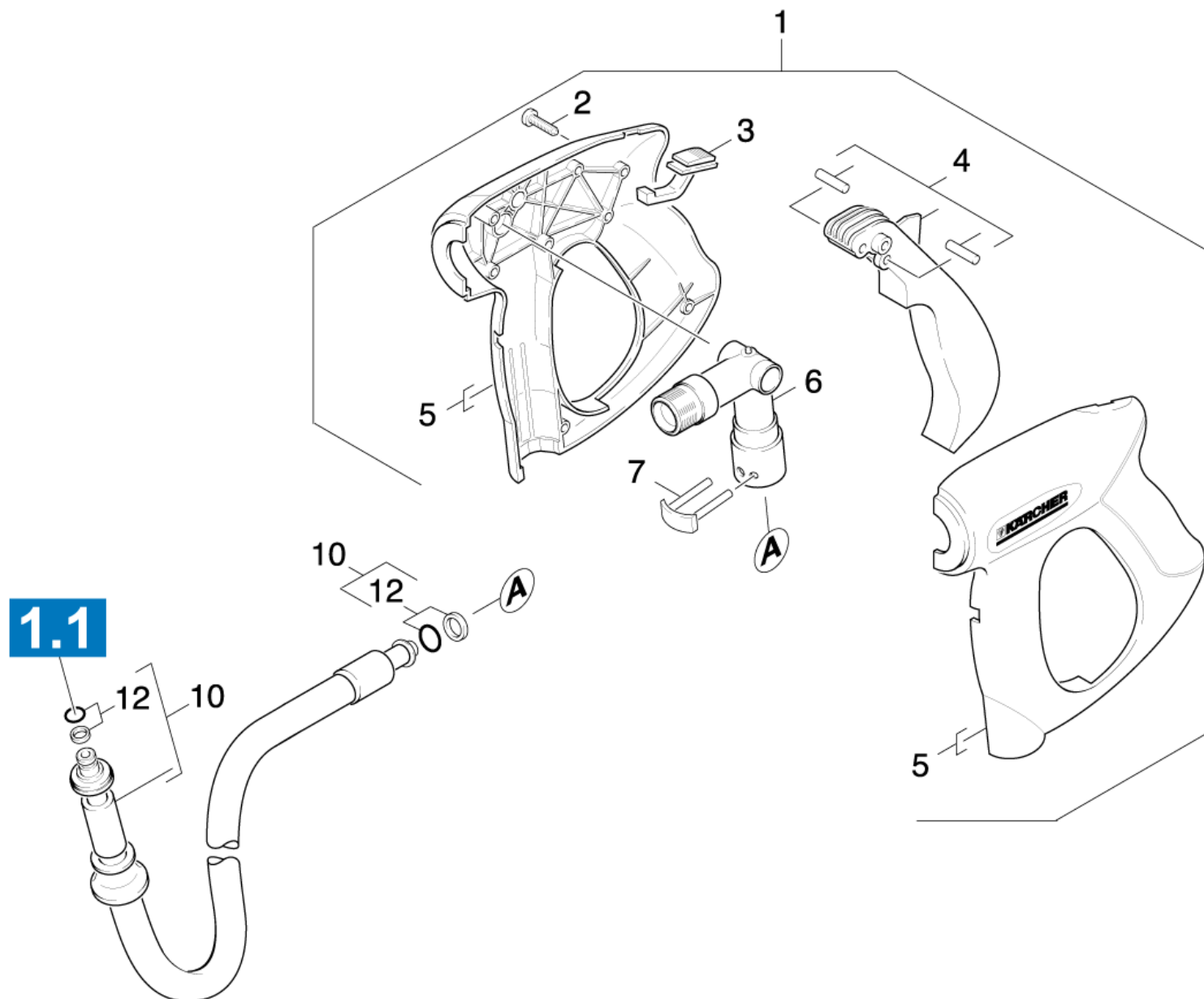


12 Motor complete

POS	Article no.	Description	Quantity	Unit
2	5.094-148.0	Bearing cover B	1.000	ST
8	6.303-320.0	Screw M 5x 20-St-R2R	4.000	ST
10	7.367-001.0	Radial shaft seal ring A24x37x7 -NBR DI	1.000	ST
13	6.401-427.0	Angular contact ball bearing	1.000	ST
14	7.401-128.0	Ball bearing 6202-2RS -Wälzl.St DIN 625	1.000	ST

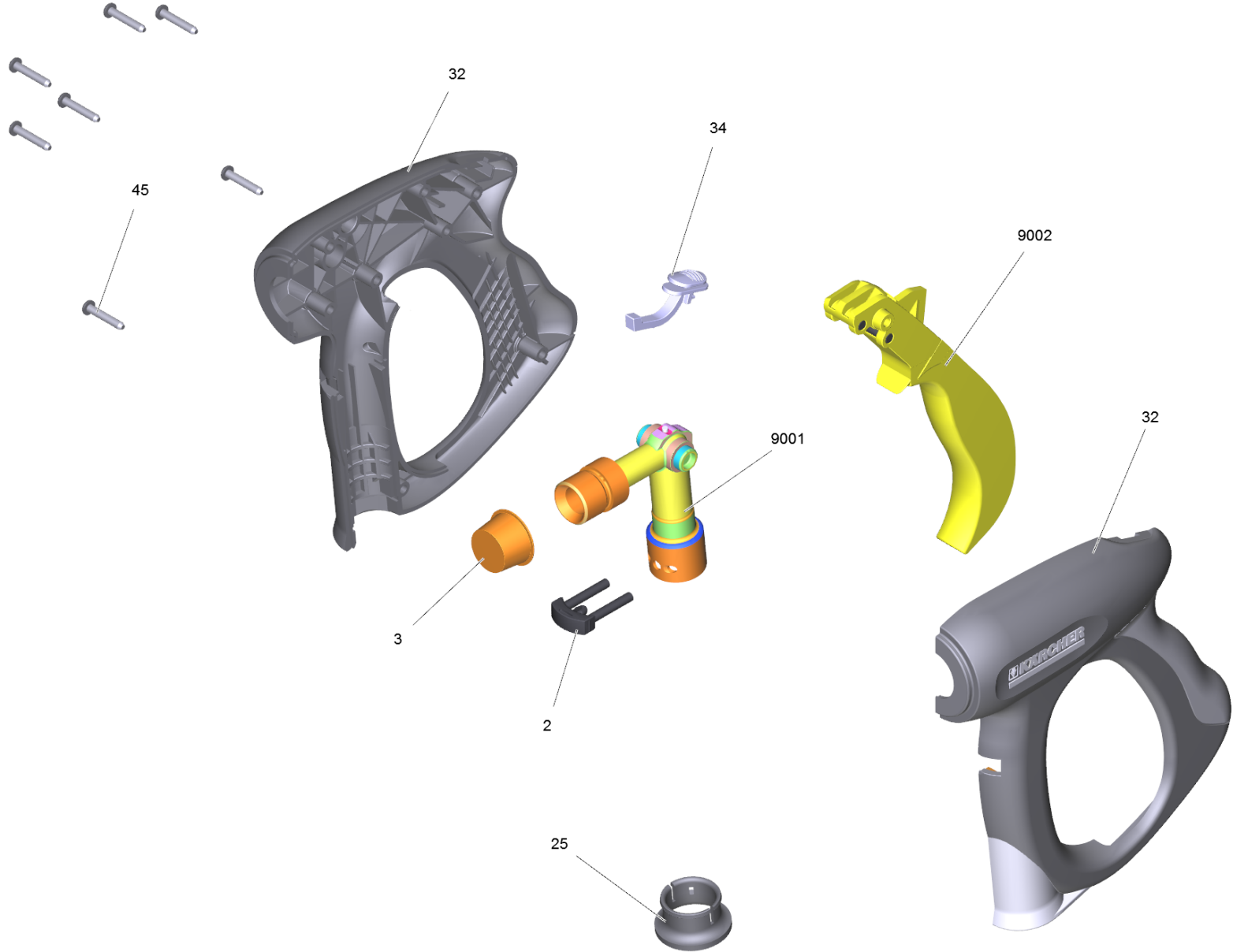
40 Accessories

POS	Description	Quantity	Unit	Remark
41	Hand trigger gun	1.000	ST	VERSION 1
42	Hand trigger gun	1.000	ST	VERSION 2
43	Hand trigger gun	1.000	ST	VERSION 3
44	Jet pipe	1.000	ST	
45	Jet pipe	1.000	ST	
46	Nozzle	1.000	ST	VERSION 1
47	Nozzle	1.000	ST	VERSION 2
48	Surface cleaner	1.000	ST	



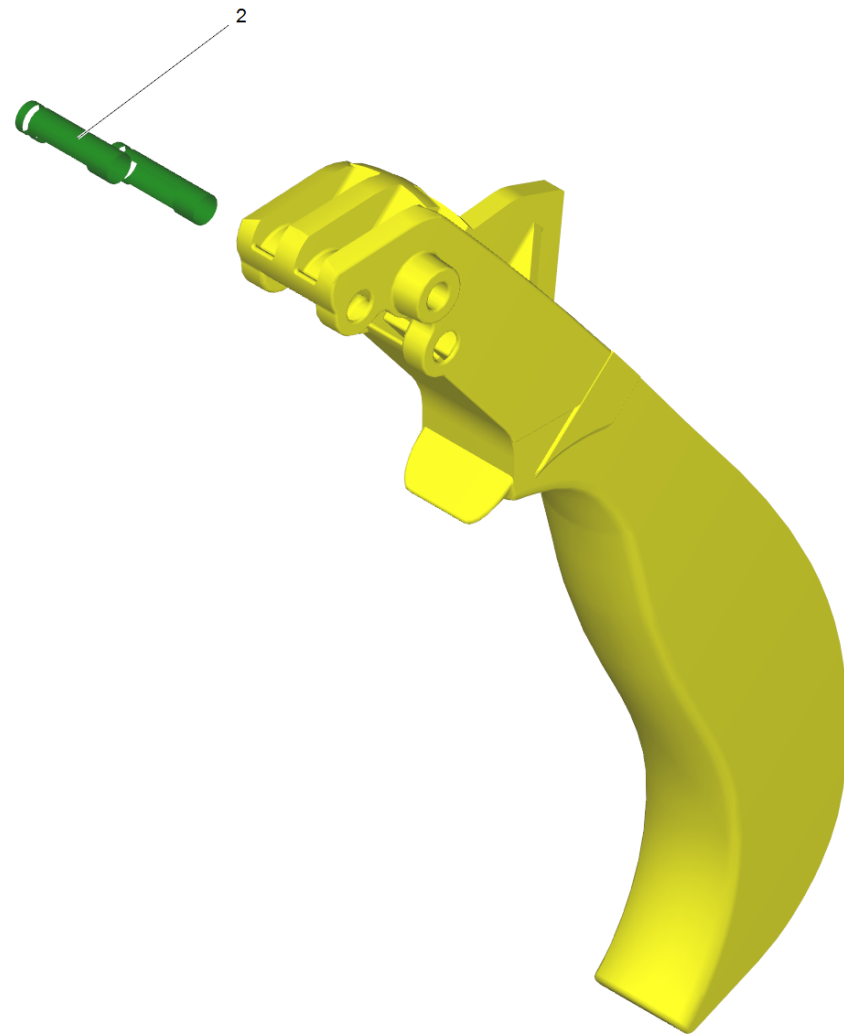
41 Hand trigger gun

POS	Article no.	Description	Quantity	Unit
1	4.775-463.0	HAND TRIGGER GUN EASY PRESS	1.000	ST
2	7.303-096.0	Screw 4x22 -ST-10.9-R2R (IN6RD)	7.000	ST
3	5.481-331.0	Slider	1.000	ST
4	4.481-209.0	Lever complete	1.000	ST
5	5.321-669.3	Handhold few	1.000	ST
6	4.427-215.0	Manifold complete only for replacement	1.000	ST
7	4.037-013.0	Hook	1.000	ST
10	6.391-417.0	Hose assembly standard DN6 25MPa 15m	1.000	ST
12	4.363-691.0	O-Ring seal kpl. -nur fuer Ersatz-	1.000	ST



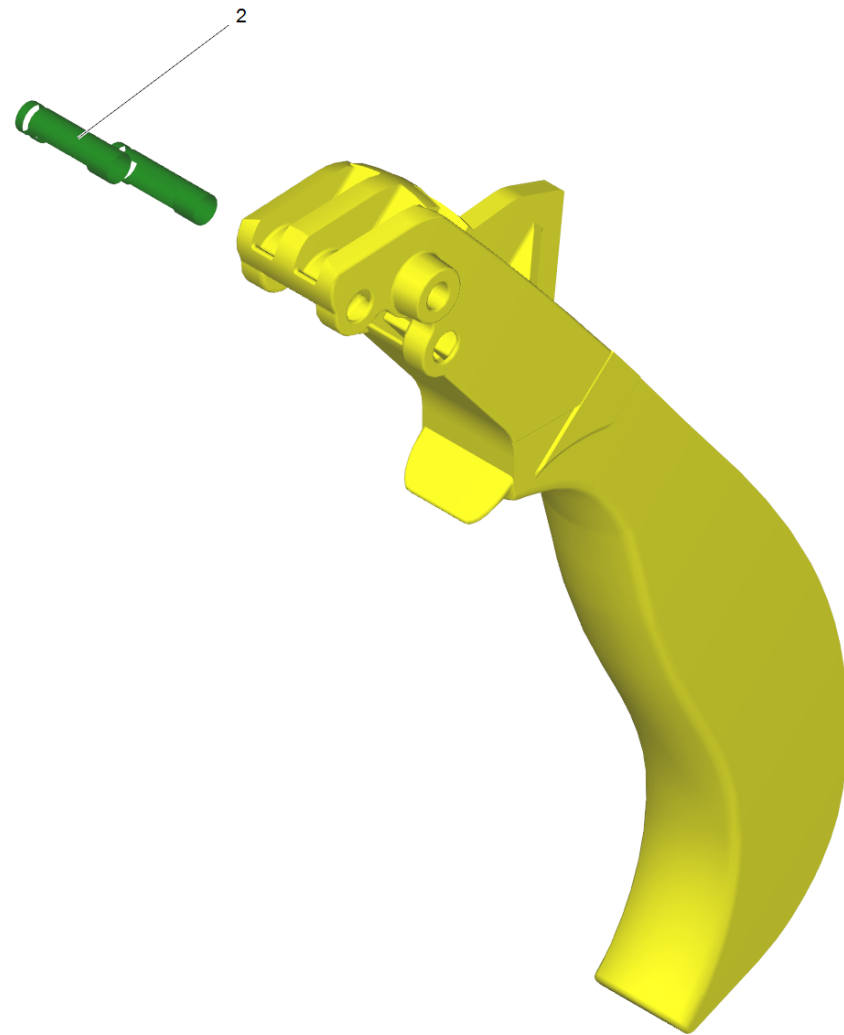
1 HAND TRIGGER GUN EASY PRESS (4.775-463.0)

POS	Article no.	Description	Quantity	Unit
2	4.037-013.0	Hook	1.000	ST
3	6.368-012.0	Protecting cap 22X1,5	1.000	ST
4	6.869-075.0	Metal bonding agent 1,5 ml	1.000	ST
25	5.110-596.0	Sleeve	1.000	ST
32	5.321-669.3	Handhold few	1.000	ST
34	5.481-331.0	Slider	1.000	ST
45	7.303-096.0	Screw 4x22 -ST-10.9-R2R (IN6RD)	7.000	ST
1041	6.288-044.0	Silicon grease 100 G	1.000	ST
9001	4.427-215.0	Manifold complete only for replacement	1.000	ST
9002	4.481-209.0	Lever complete	1.000	ST



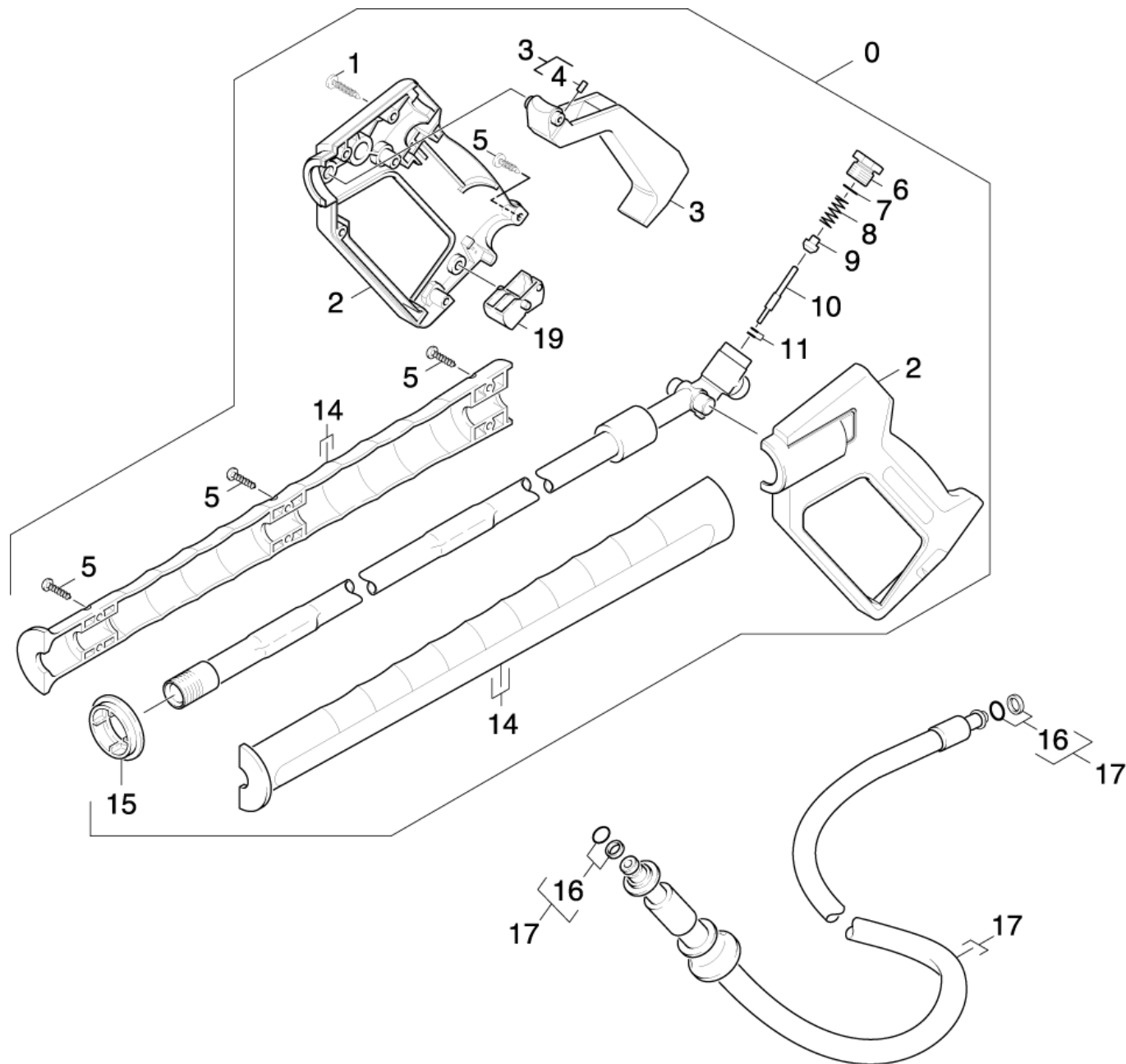
9002 Lever complete (4.481-209.0)

POS	Article no.	Description	Quantity	Unit
2	5.314-119.0	Pin	2.000	ST



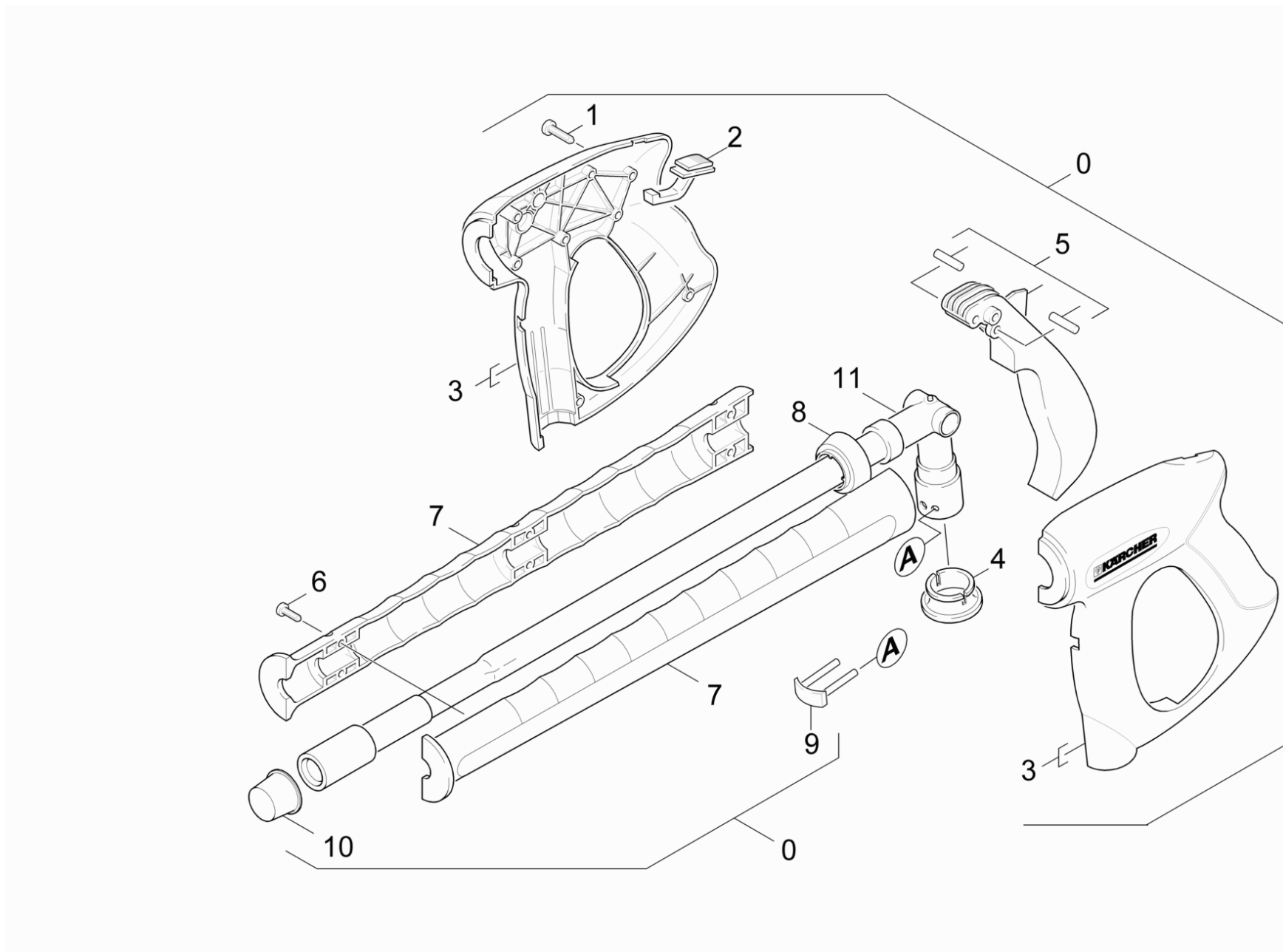
4 Lever complete (4.481-209.0)

POS	Article no.	Description	Quantity	Unit
2	5.314-119.0	Pin	2.000	ST



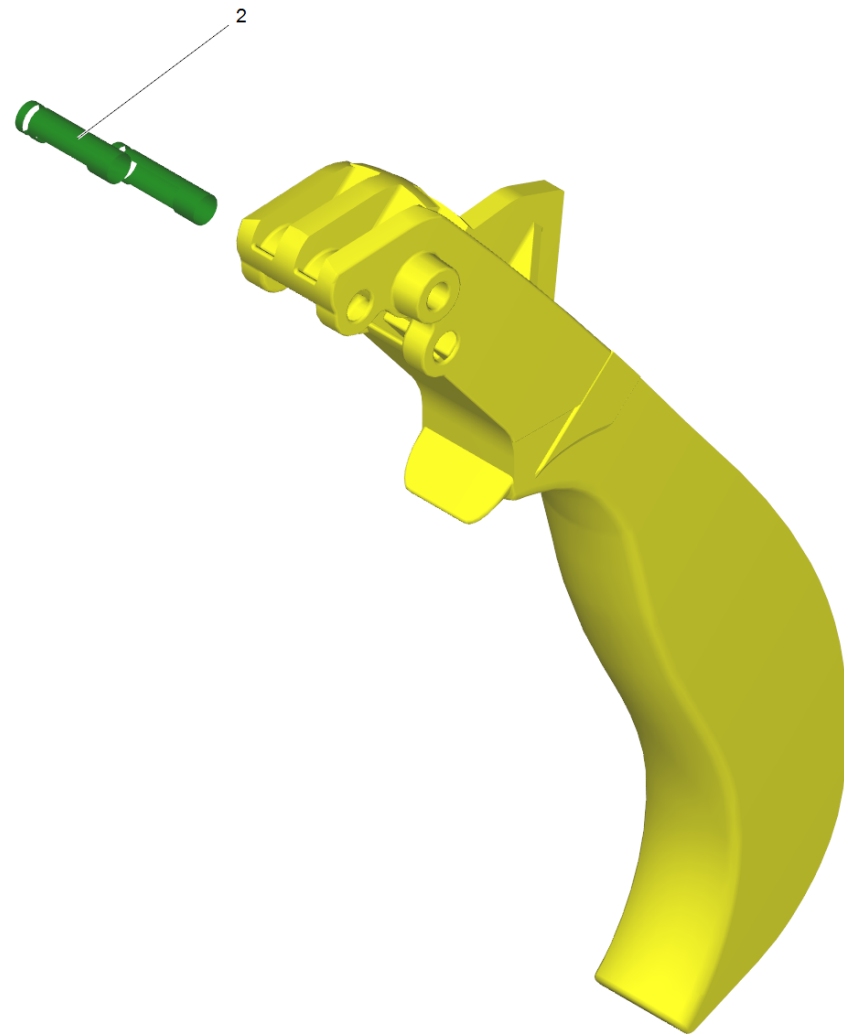
42 Hand trigger gun

POS	Article no.	Description	Quantity	Unit
0	4.775-492.0	Hand trigger gun	1.000	ST
1	7.303-096.0	Screw 4x22 -ST-10.9-R2R (IN6RD)	6.000	ST
2	5.321-206.0	Handhold few	1.000	ST
3	4.481-050.0	Lever	1.000	ST
4	7.307-417.0	Threaded pin M8x16 -45H-A2E ISO 4026	1.000	ST
5	7.303-129.0	Screw 4x16 -10.9-R2R (K-In6Rd)	7.000	ST
6	5.411-067.0	Screw plug	1.000	ST
7	6.362-584.0	O-Ring seal 12,42X 1,78	1.000	ST
8	5.332-157.0	Helical spring	1.000	ST
9	5.582-058.0	Valve disc	1.000	ST
10	5.107-259.0	Bar	1.000	ST
11	6.362-571.0	O-Ring seal complete /1ST.-R	1.000	ST
14	5.322-083.0	Handhold few extended Low End	1.000	ST
15	5.031-259.0	Moulded part	1.000	ST
16	4.363-691.0	O-Ring seal kpl. -nur fuer Ersatz-	1.000	ST
17	6.391-417.0	Hose assembly standard DN6 25MPa 15m	1.000	ST
19	5.481-052.0	Lever	1.000	ST



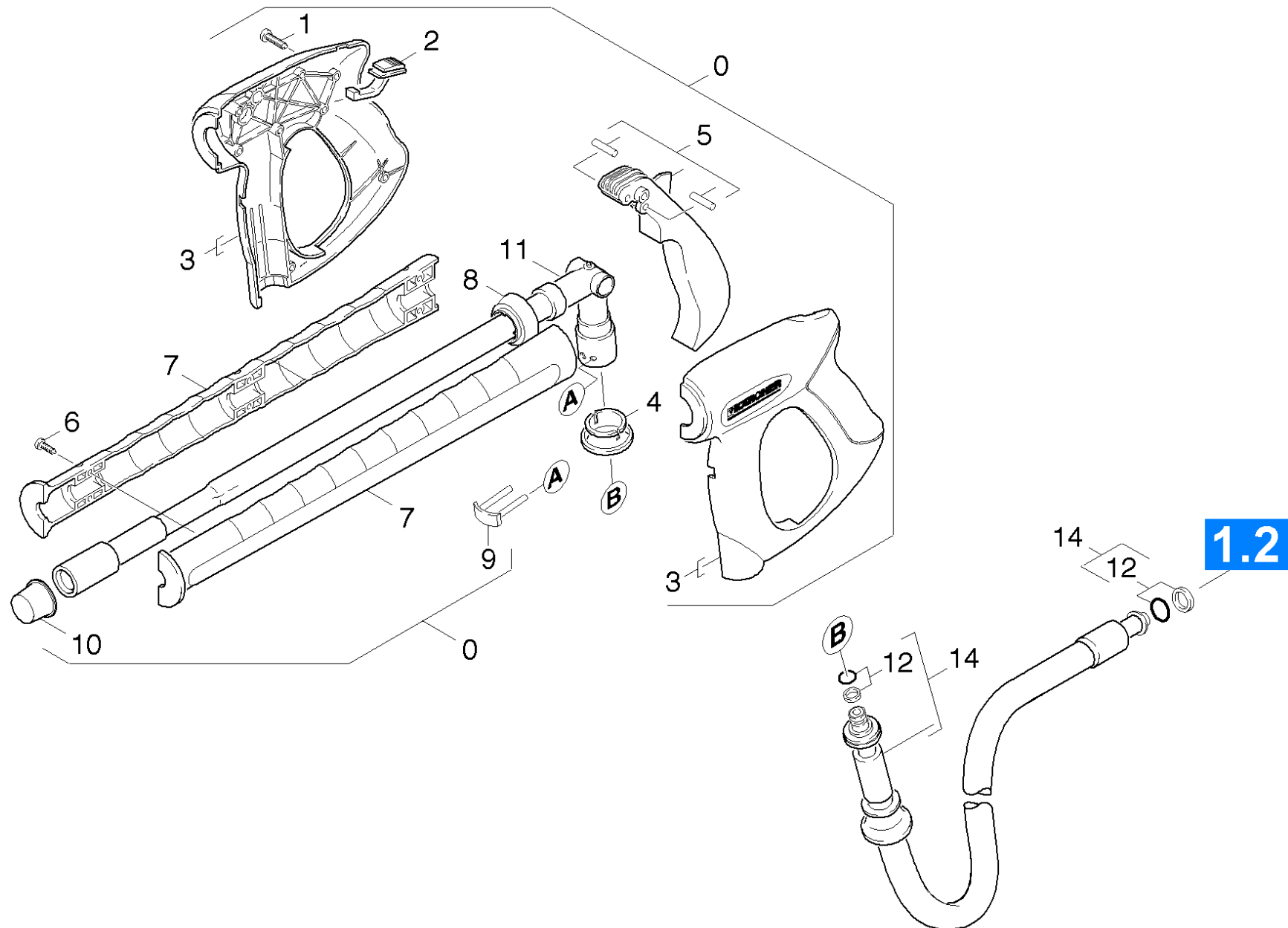
Hand trigger gun (4.775-492.0)

POS	Article no.	Description	Quantity	Unit
0	4.775-529.0	Trigger gun	1.000	ST
1	7.303-096.0	Screw 4x22 -ST-10.9-R2R (IN6RD)	7.000	ST
2	5.481-331.0	Slider	1.000	ST
3	5.322-082.0	Handhold few hand trigger gun Low End	1.000	ST
4	5.110-596.0	Sleeve	1.000	ST
5	4.481-209.0	Lever complete	1.000	ST
6	7.303-129.0	Screw 4x16 -10.9-R2R (K-In6Rd)	6.000	ST
7	5.322-083.0	Handhold few extended Low End	1.000	ST
8	5.032-801.0	Moulded part	1.000	ST
9	4.037-013.0	Hook	1.000	ST
10	6.368-012.0	Protecting cap 22X1,5	1.000	ST
11	4.427-363.0	Manifold complete only for replacement L	1.000	ST



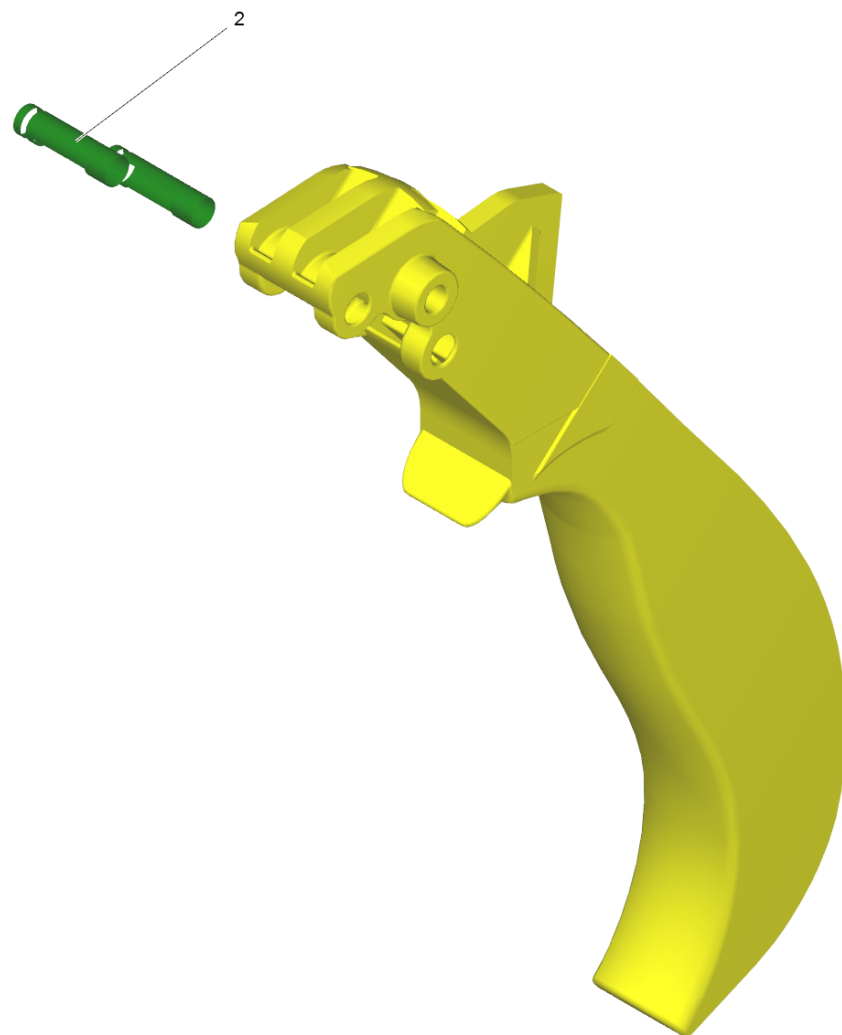
5 Lever complete (4.481-209.0)

POS	Article no.	Description	Quantity	Unit
2	5.314-119.0	Pin	2.000	ST



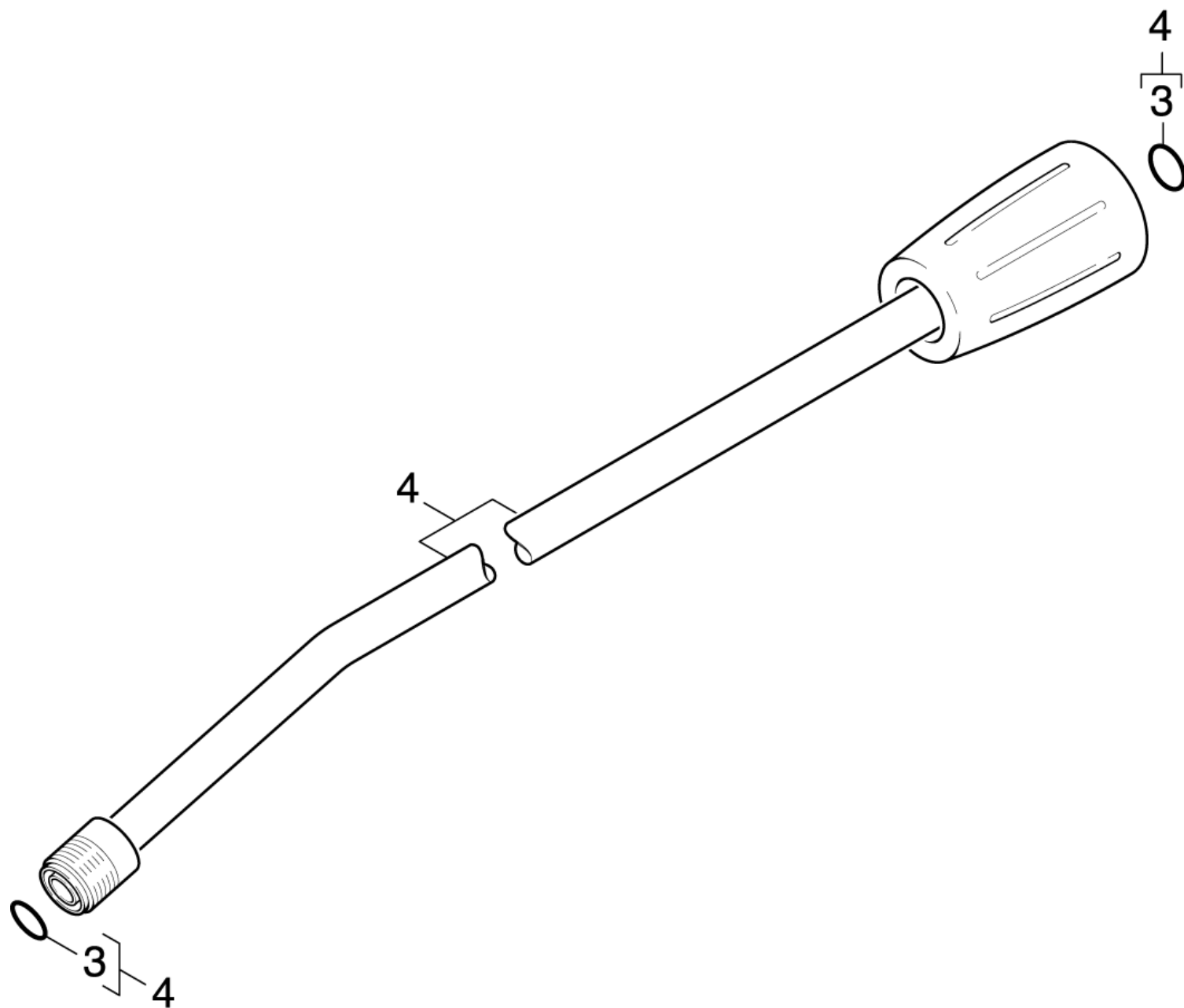
43 Hand trigger gun

POS	Article no.	Description	Quantity	Unit
0	4.775-529.0	Trigger gun	1.000	ST
1	7.303-096.0	Screw 4x22 -ST-10.9-R2R (IN6RD)	7.000	ST
2	5.481-331.0	Slider	1.000	ST
3	5.322-082.0	Handhold few hand trigger gun Low End	1.000	ST
4	5.110-596.0	Sleeve	1.000	ST
5	4.481-209.0	Lever complete	1.000	ST
6	7.303-129.0	Screw 4x16 -10.9-R2R (K-In6Rd)	7.000	ST
7	5.322-083.0	Handhold few extended Low End	1.000	ST
8	5.032-801.0	Moulded part	1.000	ST
9	4.037-013.0	Hook	1.000	ST
10	6.368-012.0	Protecting cap 22X1,5	1.000	ST
11	4.427-363.0	Manifold complete only for replacement L	1.000	ST
12	4.363-691.0	O-Ring seal kpl. -nur fuer Ersatz-	2.000	ST
14	6.391-417.0	Hose assembly standard DN6 25MPa 15m	1.000	ST



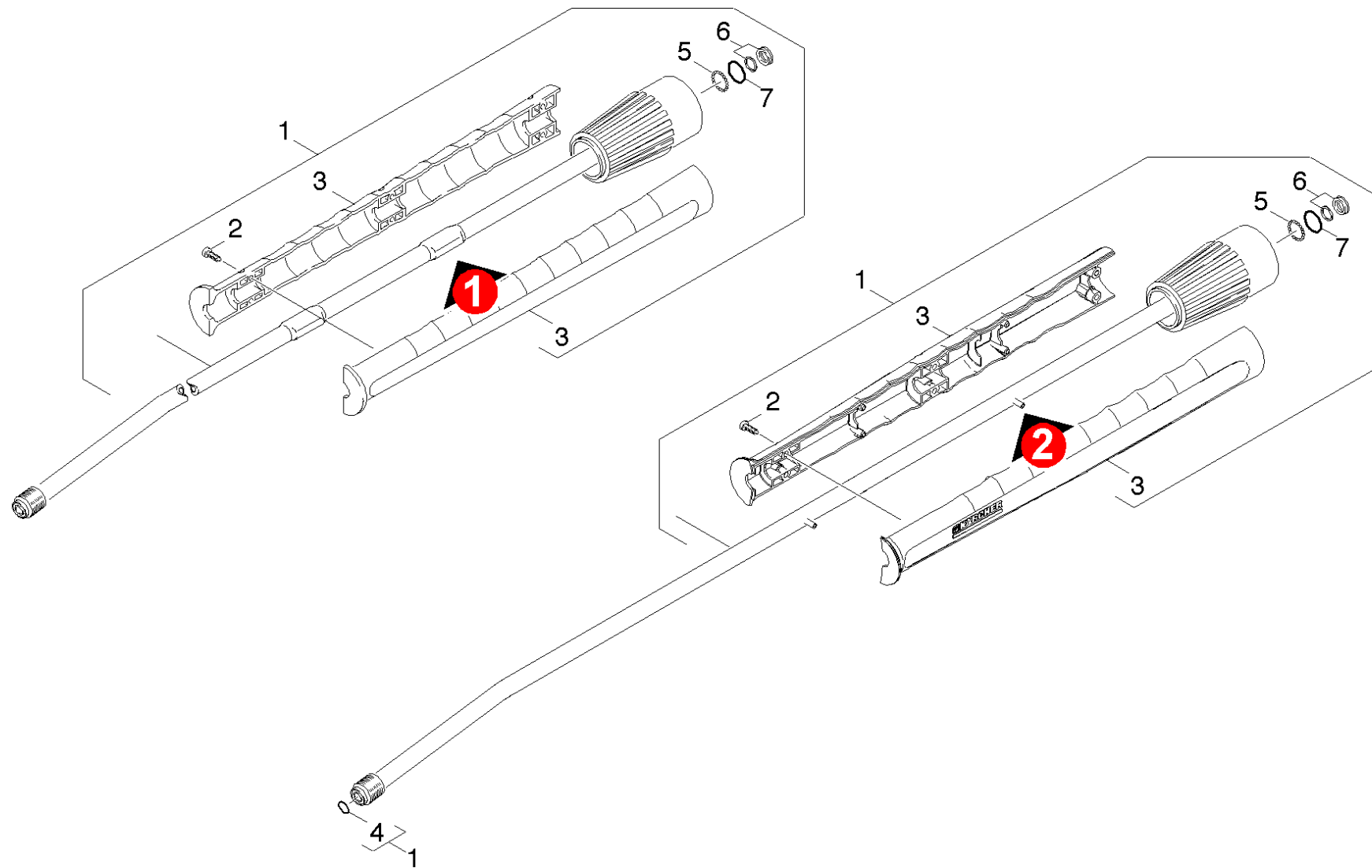
5 Lever complete (4.481-209.0)

POS	Article no.	Description	Quantity	Unit
2	5.314-119.0	Pin	2.000	ST



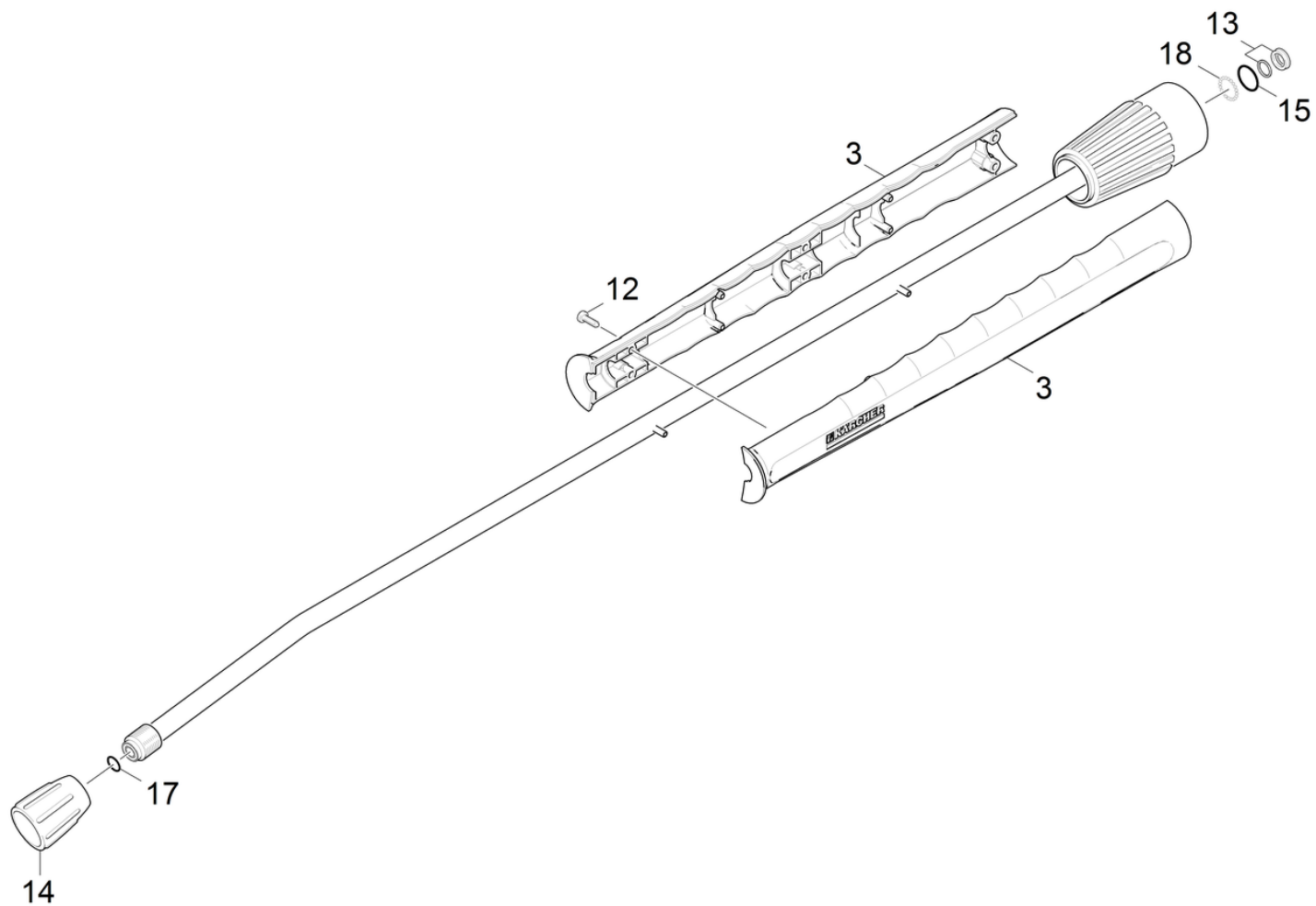
44 Jet pipe

POS	Article no.	Description	Quantity	Unit
3	2.880-990.0	Spare part set O-Ring 5x -Kaercher	1.000	ST
4	4.760-665.0	Jet pipe packaged only for replacement	1.000	ST



45 Jet pipe

POS	Article no.	Description	Quantity	Unit	Remark
1	4.760-663.0	Jet pipe packaged only for replacement	1.000	ST	
2	7.303-129.0	Screw 4x16 -10.9-R2R (K-In6Rd)	6.000	ST	
3	5.321-855.0	Handhold few jet pipe with welding bolt	1.000	ST	VERSION 2
3	5.321-691.0	Handhold few jet pipe	1.000	ST	VERSION 1
4	2.880-990.0	Spare part set O-Ring 5x -Kaercher	1.000	ST	
5	7.401-915.0	Sphere 2,5 G20 -1.4034 DIN 5401	20.000	ST	
6	4.363-692.0	Grooved ring kpl. -nur fuer Ersatz-	1.000	ST	
7	6.362-524.0	O-Ring seal 17,0 X 1,5	1.000	ST	

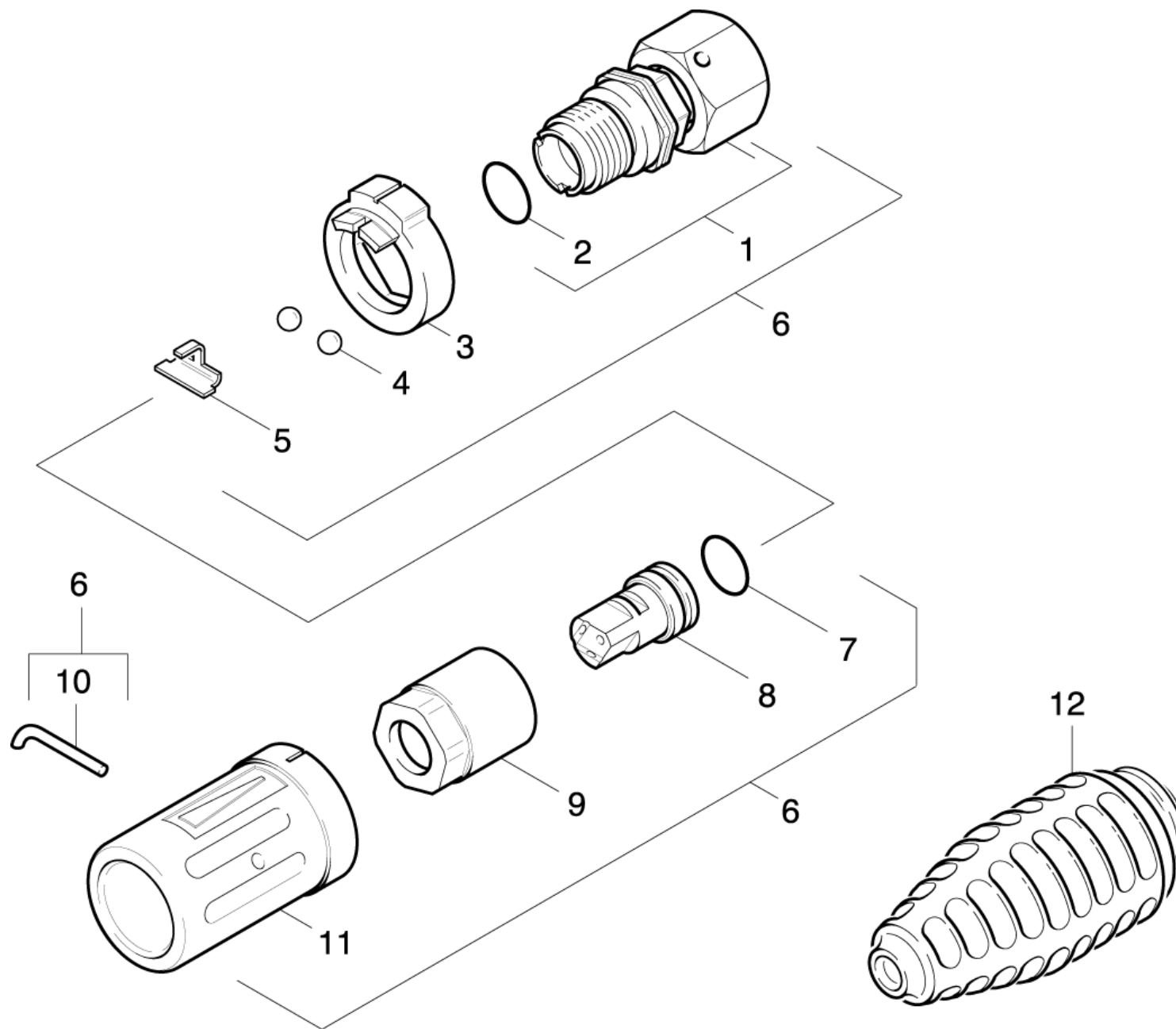


1 Jet pipe packaged only for replacement (4.760-663.0)

POS	Article no.	Description	Quantity	Unit
3	5.321-855.0	Handhold few jet pipe with welding bolt	1.000	ST
12	7.303-129.0	Screw 4x16 -10.9-R2R (K-In6Rd)	6.000	ST
13	4.363-692.0	Grooved ring kpl. -nur fuer Ersatz-	1.000	ST
14	5.401-210.0	Screw connector part	1.000	ST
15	6.362-524.0	O-Ring seal 17,0 X 1,5	1.000	ST
17	7.362-501.0	O-Ring seal 10x2 EPDM 70 DIN 3770	1.000	ST
18	7.401-915.0	Sphere 2,5 G20 -1.4034 DIN 5401	20.000	ST

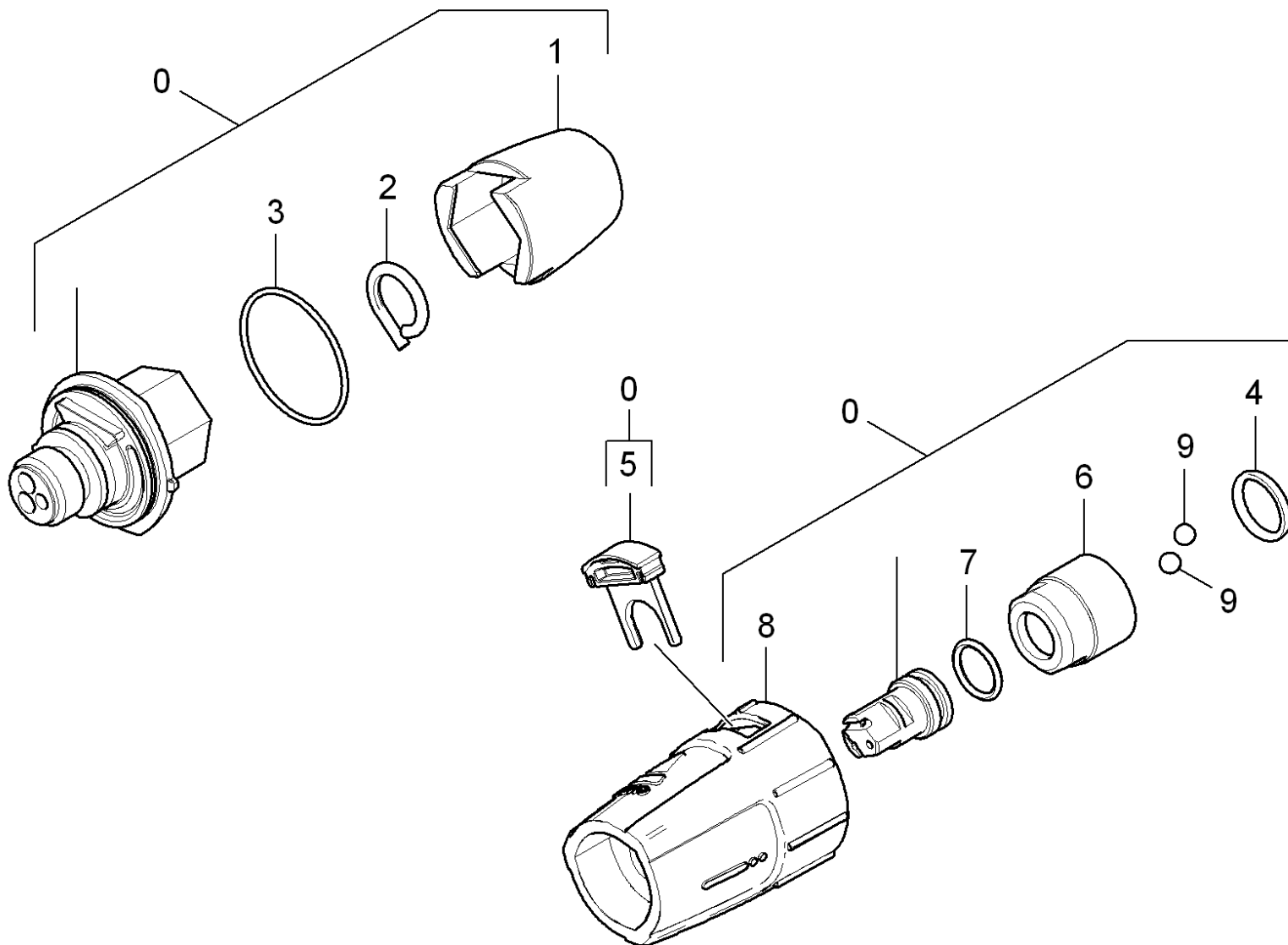
14 Screw connector part (5.401-210.0)

POS	Description	Quantity	Unit
10	PORCA CAPA INSERTO	1.000	ST



46 Nozzle

POS	Article no.	Description	Quantity	Unit
1	4.402-042.0	Screw union	1.000	ST
2	6.362-460.0	O-Ring seal 14,0 X 2,5-NBR 70	1.000	ST
3	5.030-528.0	Moulded part	1.000	ST
4	7.401-902.0	Sphere 5 G20 -1.4034 DIN 5401	2.000	ST
5	5.042-405.0	Holder	1.000	ST
6	7.777-999.0	Stockpiling discontinued	1.000	ST
7	6.362-480.0	O-Ring seal 12,42x 1,78	1.000	ST
8	7.777-999.0	Stockpiling discontinued	1.000	ST
	Item text1: / 1.514-114.0 /-502.0 /-552.0 / -553.0 / -601.0 / -651.0 / -651.0			
8	7.777-999.0	Stockpiling discontinued	1.000	ST
	Item text1: 1.514-551.0 /-554.0			
8	5.415-602.0	Triple jet nozzle 038	1.000	ST
	Item text1: 1.514-553.0			
8	5.415-620.0	Triple jet nozzle 032	1.000	ST
	Item text1: 1.514-125.0 /-128.0			
8	5.415-600.0	Triple jet nozzle 034	1.000	ST
	Item text1: / 1.514-501.0			
9	5.311-117.0	Hexagon nut	1.000	ST
10	5.037-059.0	Hook	1.000	ST
11	5.394-269.0	Protection part	1.000	ST
12	4.767-023.0	Dirt blaster 040	1.000	ST
	Item text1: / 1.514-551.0 / -552.0 / -553.0 / -554.0			
	Item text2: / -651.0 /-652.0			
12	4.767-022.0	Dirt blaster 035	1.000	ST
	Item text1: / 1.514-114.0 /-125.0			



47 Nozzle

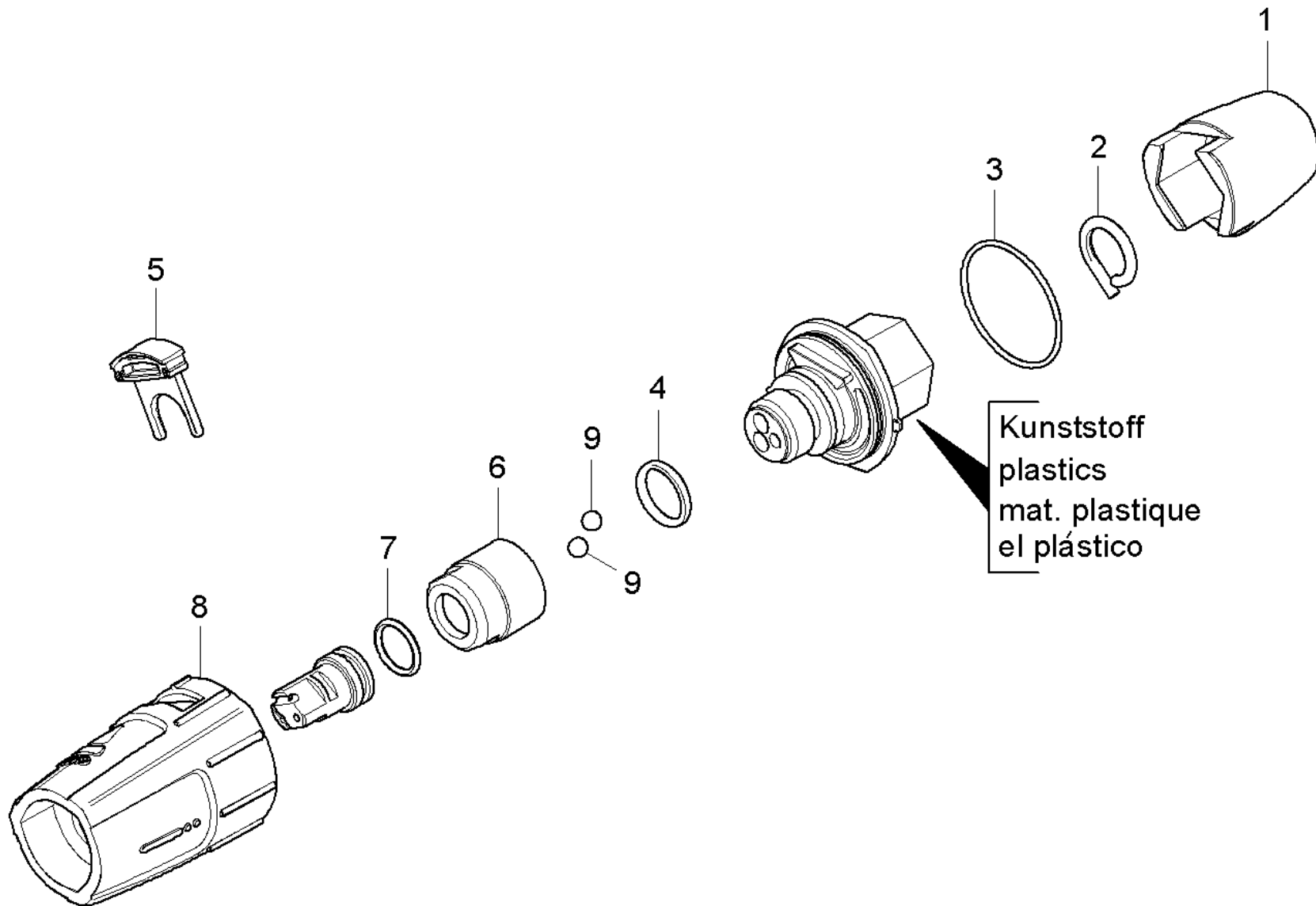
POS	Article no.	Description	Quantity	Unit	Remark
0	4.767-195.0	Triple jet nozzle only for replacement 0	1.000	ST	
	Item text1: 1.514-125.0 /-128.0				
0	4.767-149.0	Triple jet nozzle replacement 038	1.000	ST	038
	Item text1: 1.514-552.0 /-553.0 /-651.0 /-652.0				
0	4.767-148.0	Triple jet nozzle replacement 036	1.000	ST	036
	Item text1: 1.514-551.0 /-554.0 /-601.0				
0	4.767-146.0	Triple jet nozzle replacement 033	1.000	ST	033
	Item text1: 1.514-114.0 /-502.0 /				
0	4.767-147.0	Triple jet nozzle replacement 034	1.000	ST	034
	Item text1: 1.514-501.0				
1	5.394-530.0	Protection part complete	1.000	ST	
2	6.343-150.0	Pin 03	1.000	ST	
3	6.362-409.0	O-Ring seal 32,0 X 1,5	1.000	ST	
4	6.362-460.0	O-Ring seal 14,0 X 2,5-NBR 70	1.000	ST	
5	5.321-884.0	Clamp	1.000	ST	
6	5.311-225.0	Nut	1.000	ST	
7	6.362-480.0	O-Ring seal 12,42x 1,78	1.000	ST	
8	5.394-859.0	Protection part	1.000	ST	
9	7.401-902.0	Sphere 5 G20 -1.4034 DIN 5401	2.000	ST	

Triple jet nozzle replacement 033 (4.767-146.0)

POS	Article no.	Description	Quantity	Unit
2	5.970-837.0	Spare parts list triple jet nozzle	1.000	ST

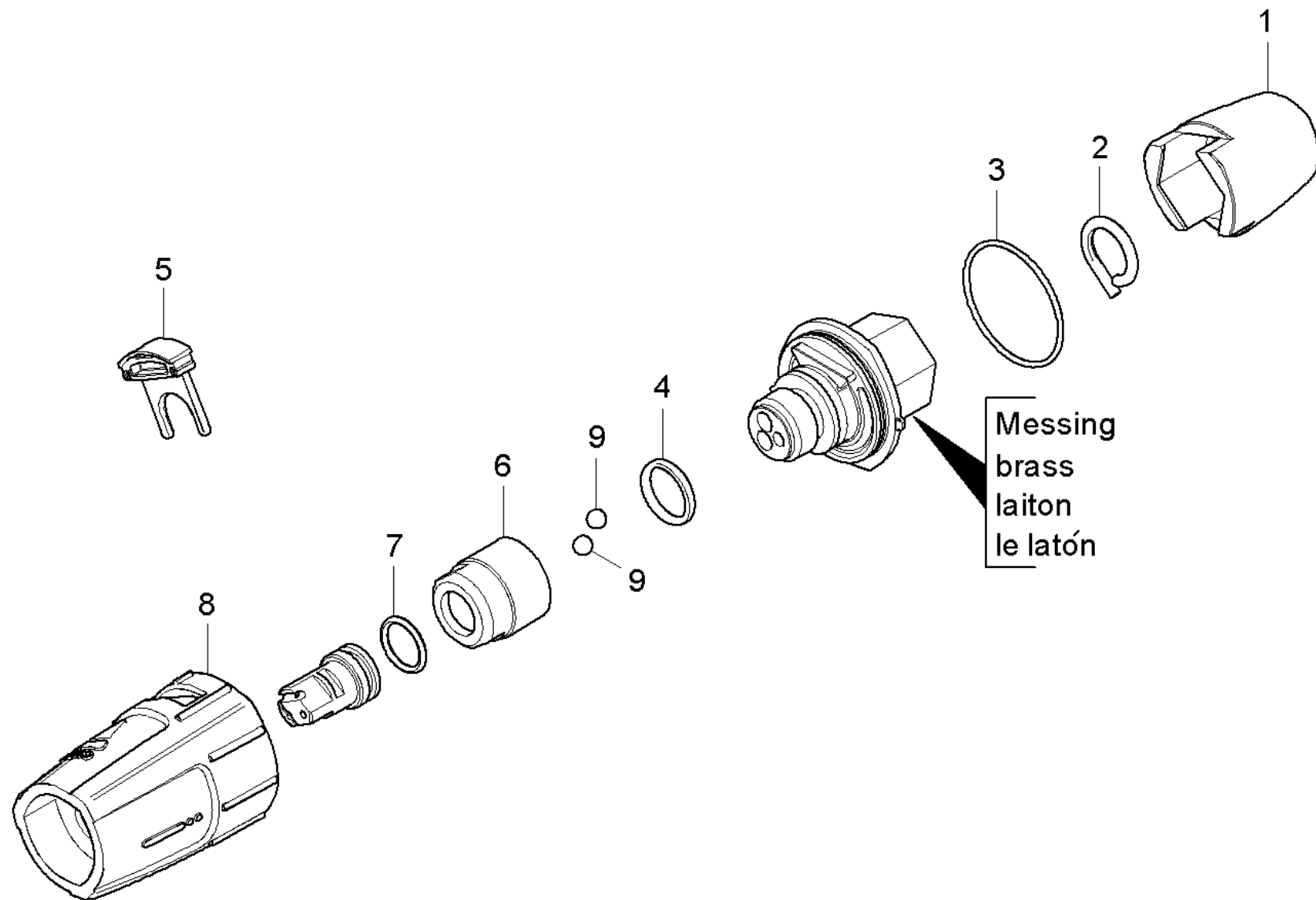
2 Spare parts list triple jet nozzle (5.970-837.0)

POS	Description	Quantity	Unit
10	Triple jet nozzle plastics	1.000	ST
20	Triple jet nozzle brass	1.000	ST



10 Triple jet nozzle plastics

POS	Article no.	Description	Quantity	Unit
1	5.394-530.0	Protection part complete	1.000	ST
2	6.343-150.0	Pin 03	1.000	ST
3	6.362-409.0	O-Ring seal 32,0 X 1,5	1.000	ST
4	7.362-039.0	O-Ring seal 15,5x1,5 -NBR70 DIN 3771	1.000	ST
5	5.321-884.0	Clamp	1.000	ST
6	5.311-236.0	Nut	1.000	ST
7	6.362-480.0	O-Ring seal 12,42x 1,78	1.000	ST
8	5.394-874.0	Protection part	1.000	ST
9	7.401-902.0	Sphere 5 G20 -1.4034 DIN 5401	2.000	ST



20 Triple jet nozzle brass

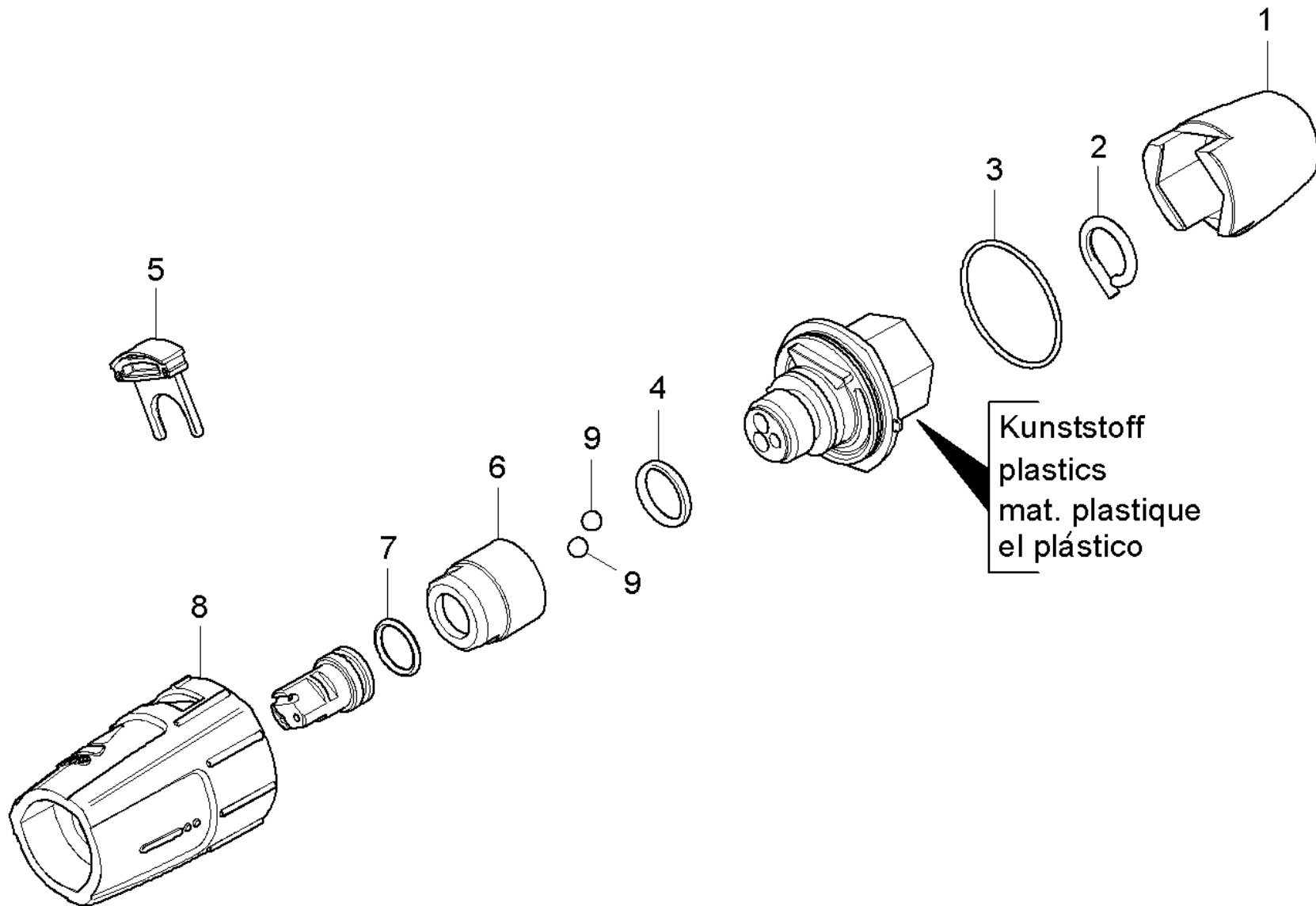
POS	Article no.	Description	Quantity	Unit
1	5.394-530.0	Protection part complete	1.000	ST
2	6.343-150.0	Pin 03	1.000	ST
3	6.362-409.0	O-Ring seal 32,0 X 1,5	1.000	ST
4	6.362-460.0	O-Ring seal 14,0 X 2,5-NBR 70	1.000	ST
5	5.321-884.0	Clamp	1.000	ST
6	5.311-225.0	Nut	1.000	ST
7	6.362-480.0	O-Ring seal 12,42x 1,78	1.000	ST
8	5.394-859.0	Protection part	1.000	ST
9	7.401-902.0	Sphere 5 G20 -1.4034 DIN 5401	2.000	ST

Triple jet nozzle replacement 034 (4.767-147.0)

POS	Article no.	Description	Quantity	Unit
2	5.970-837.0	Spare parts list triple jet nozzle	1.000	ST

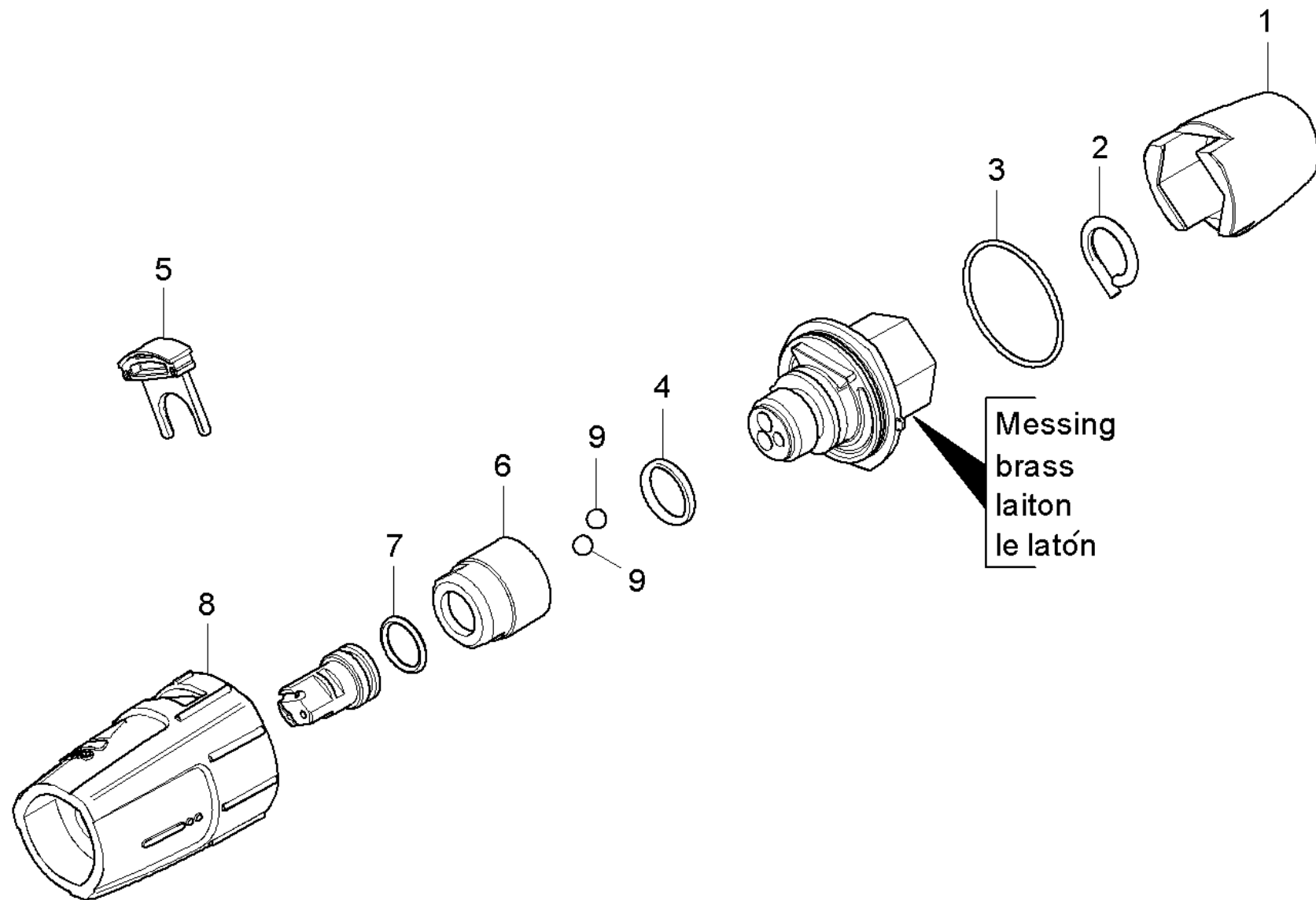
2 Spare parts list triple jet nozzle (5.970-837.0)

POS	Description	Quantity	Unit
10	Triple jet nozzle plastics	1.000	ST
20	Triple jet nozzle brass	1.000	ST



10 Triple jet nozzle plastics

POS	Article no.	Description	Quantity	Unit
1	5.394-530.0	Protection part complete	1.000	ST
2	6.343-150.0	Pin 03	1.000	ST
3	6.362-409.0	O-Ring seal 32,0 X 1,5	1.000	ST
4	7.362-039.0	O-Ring seal 15,5x1,5 -NBR70 DIN 3771	1.000	ST
5	5.321-884.0	Clamp	1.000	ST
6	5.311-236.0	Nut	1.000	ST
7	6.362-480.0	O-Ring seal 12,42x 1,78	1.000	ST
8	5.394-874.0	Protection part	1.000	ST
9	7.401-902.0	Sphere 5 G20 -1.4034 DIN 5401	2.000	ST



20 Triple jet nozzle brass

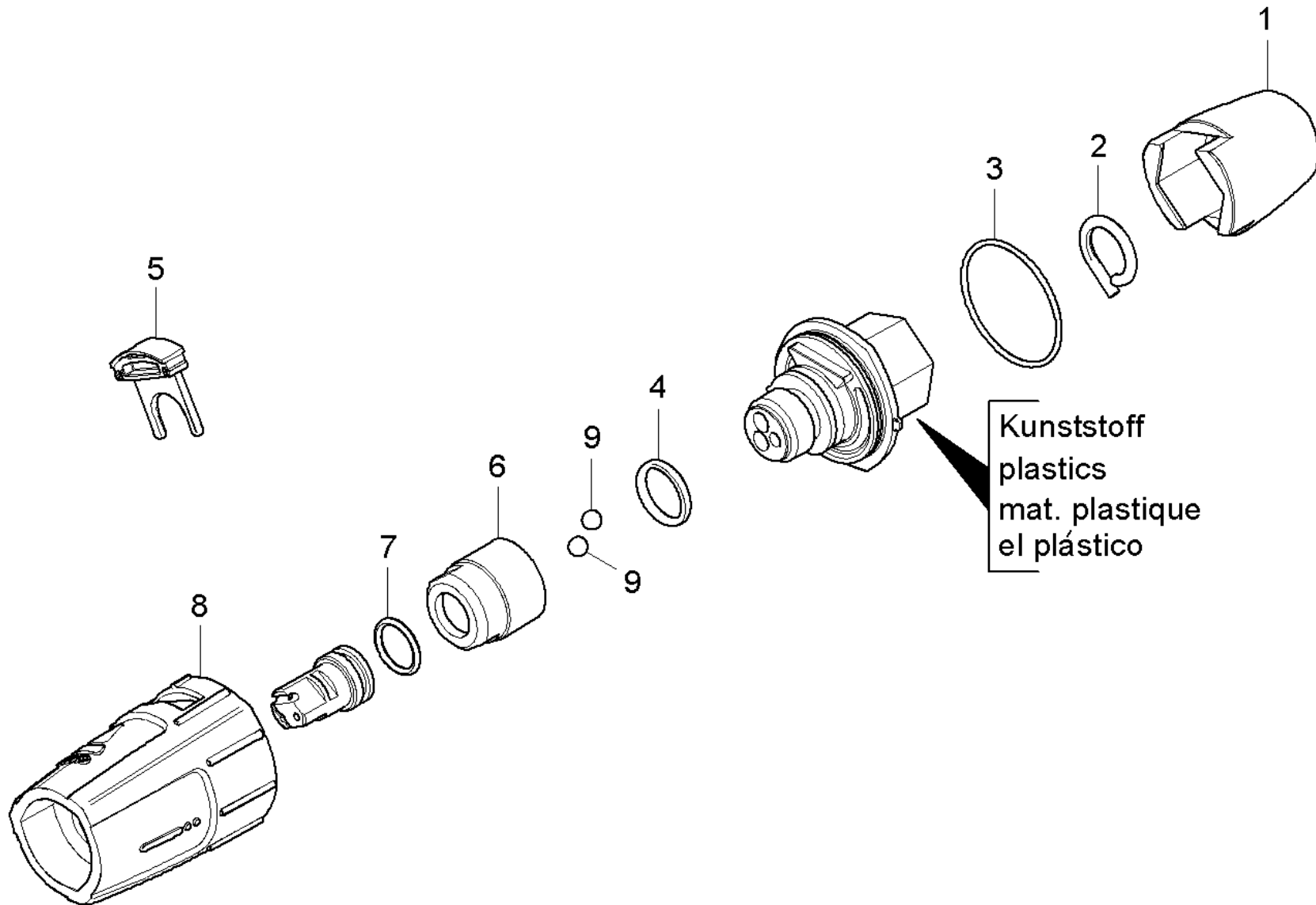
POS	Article no.	Description	Quantity	Unit
1	5.394-530.0	Protection part complete	1.000	ST
2	6.343-150.0	Pin 03	1.000	ST
3	6.362-409.0	O-Ring seal 32,0 X 1,5	1.000	ST
4	6.362-460.0	O-Ring seal 14,0 X 2,5-NBR 70	1.000	ST
5	5.321-884.0	Clamp	1.000	ST
6	5.311-225.0	Nut	1.000	ST
7	6.362-480.0	O-Ring seal 12,42x 1,78	1.000	ST
8	5.394-859.0	Protection part	1.000	ST
9	7.401-902.0	Sphere 5 G20 -1.4034 DIN 5401	2.000	ST

Triple jet nozzle replacement 036 (4.767-148.0)

POS	Article no.	Description	Quantity	Unit
2	5.970-837.0	Spare parts list triple jet nozzle	1.000	ST

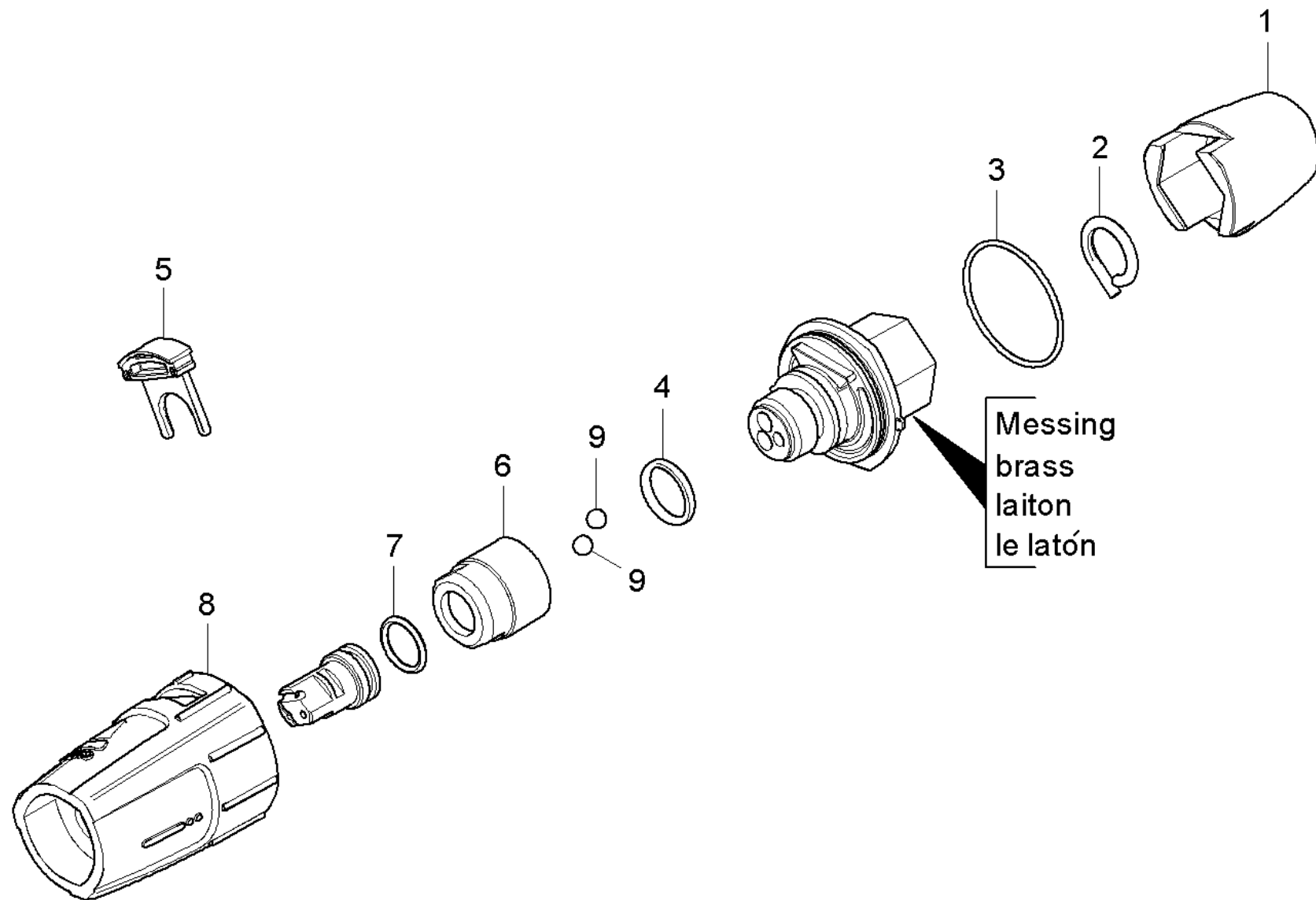
2 Spare parts list triple jet nozzle (5.970-837.0)

POS	Description	Quantity	Unit
10	Triple jet nozzle plastics	1.000	ST
20	Triple jet nozzle brass	1.000	ST



10 Triple jet nozzle plastics

POS	Article no.	Description	Quantity	Unit
1	5.394-530.0	Protection part complete	1.000	ST
2	6.343-150.0	Pin 03	1.000	ST
3	6.362-409.0	O-Ring seal 32,0 X 1,5	1.000	ST
4	7.362-039.0	O-Ring seal 15,5x1,5 -NBR70 DIN 3771	1.000	ST
5	5.321-884.0	Clamp	1.000	ST
6	5.311-236.0	Nut	1.000	ST
7	6.362-480.0	O-Ring seal 12,42x 1,78	1.000	ST
8	5.394-874.0	Protection part	1.000	ST
9	7.401-902.0	Sphere 5 G20 -1.4034 DIN 5401	2.000	ST



20 Triple jet nozzle brass

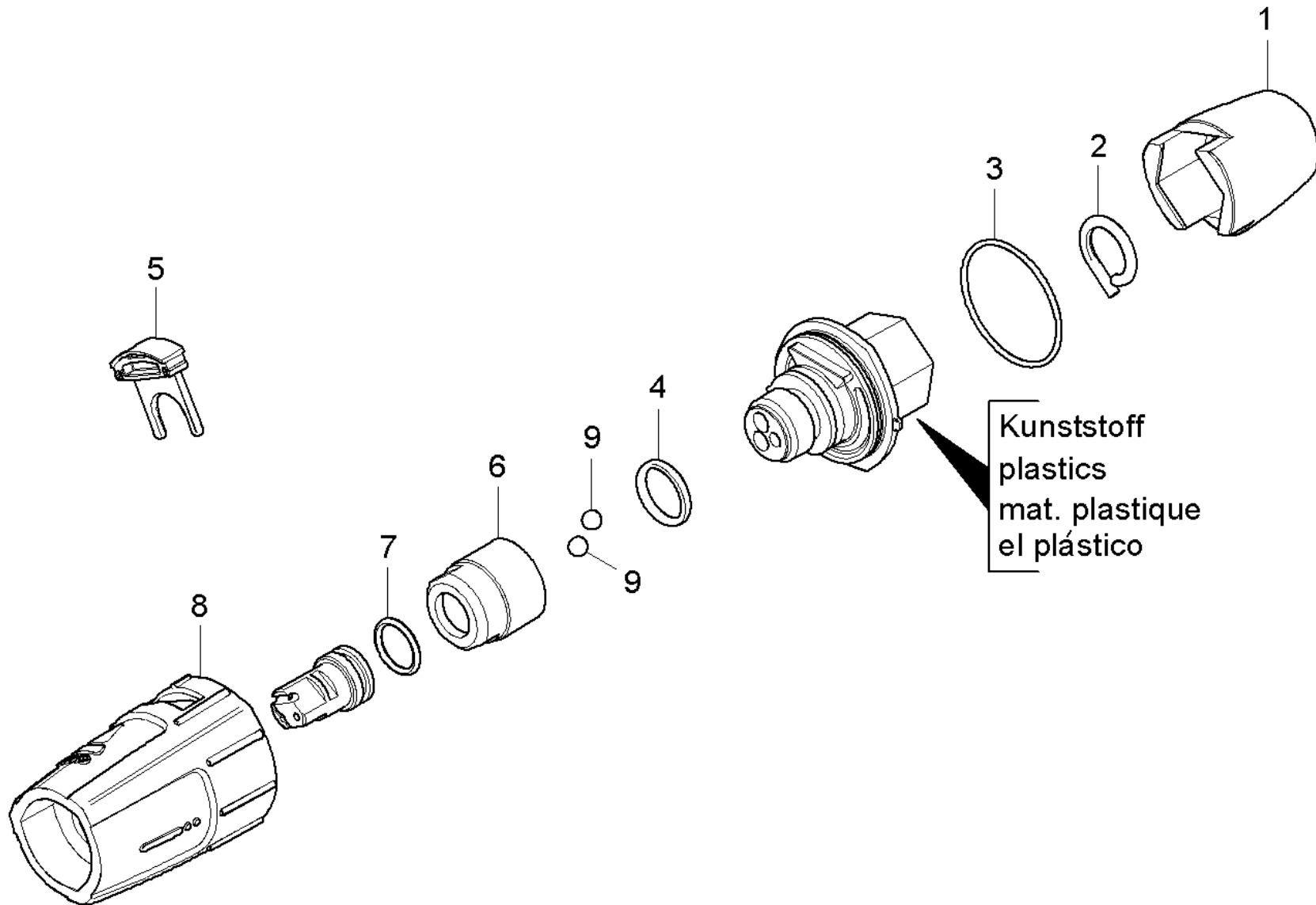
POS	Article no.	Description	Quantity	Unit
1	5.394-530.0	Protection part complete	1.000	ST
2	6.343-150.0	Pin 03	1.000	ST
3	6.362-409.0	O-Ring seal 32,0 X 1,5	1.000	ST
4	6.362-460.0	O-Ring seal 14,0 X 2,5-NBR 70	1.000	ST
5	5.321-884.0	Clamp	1.000	ST
6	5.311-225.0	Nut	1.000	ST
7	6.362-480.0	O-Ring seal 12,42x 1,78	1.000	ST
8	5.394-859.0	Protection part	1.000	ST
9	7.401-902.0	Sphere 5 G20 -1.4034 DIN 5401	2.000	ST

Triple jet nozzle replacement 038 (4.767-149.0)

POS	Article no.	Description	Quantity	Unit
2	5.970-837.0	Spare parts list triple jet nozzle	1.000	ST

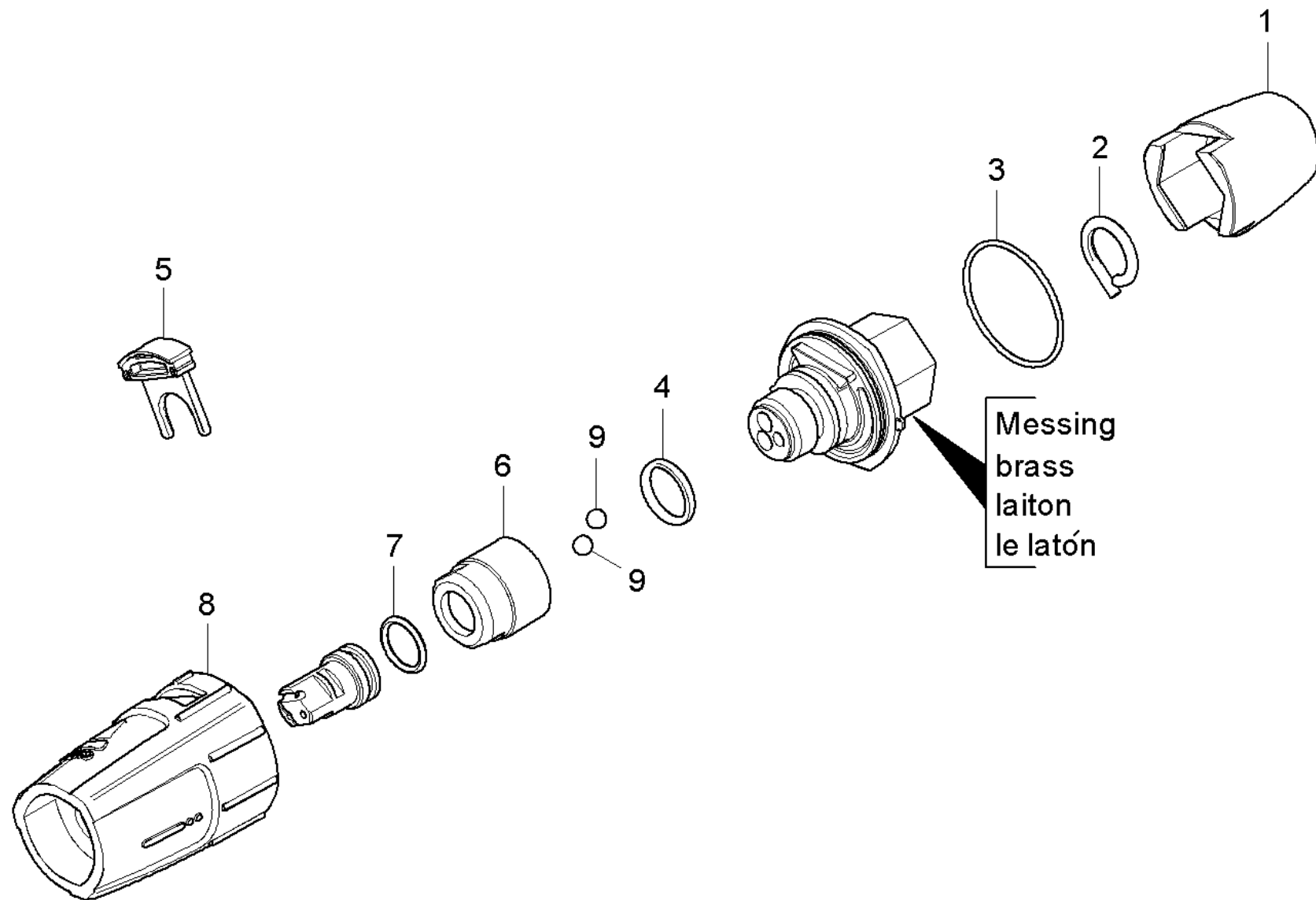
2 Spare parts list triple jet nozzle (5.970-837.0)

POS	Description	Quantity	Unit
10	Triple jet nozzle plastics	1.000	ST
20	Triple jet nozzle brass	1.000	ST



10 Triple jet nozzle plastics

POS	Article no.	Description	Quantity	Unit
1	5.394-530.0	Protection part complete	1.000	ST
2	6.343-150.0	Pin 03	1.000	ST
3	6.362-409.0	O-Ring seal 32,0 X 1,5	1.000	ST
4	7.362-039.0	O-Ring seal 15,5x1,5 -NBR70 DIN 3771	1.000	ST
5	5.321-884.0	Clamp	1.000	ST
6	5.311-236.0	Nut	1.000	ST
7	6.362-480.0	O-Ring seal 12,42x 1,78	1.000	ST
8	5.394-874.0	Protection part	1.000	ST
9	7.401-902.0	Sphere 5 G20 -1.4034 DIN 5401	2.000	ST



20 Triple jet nozzle brass

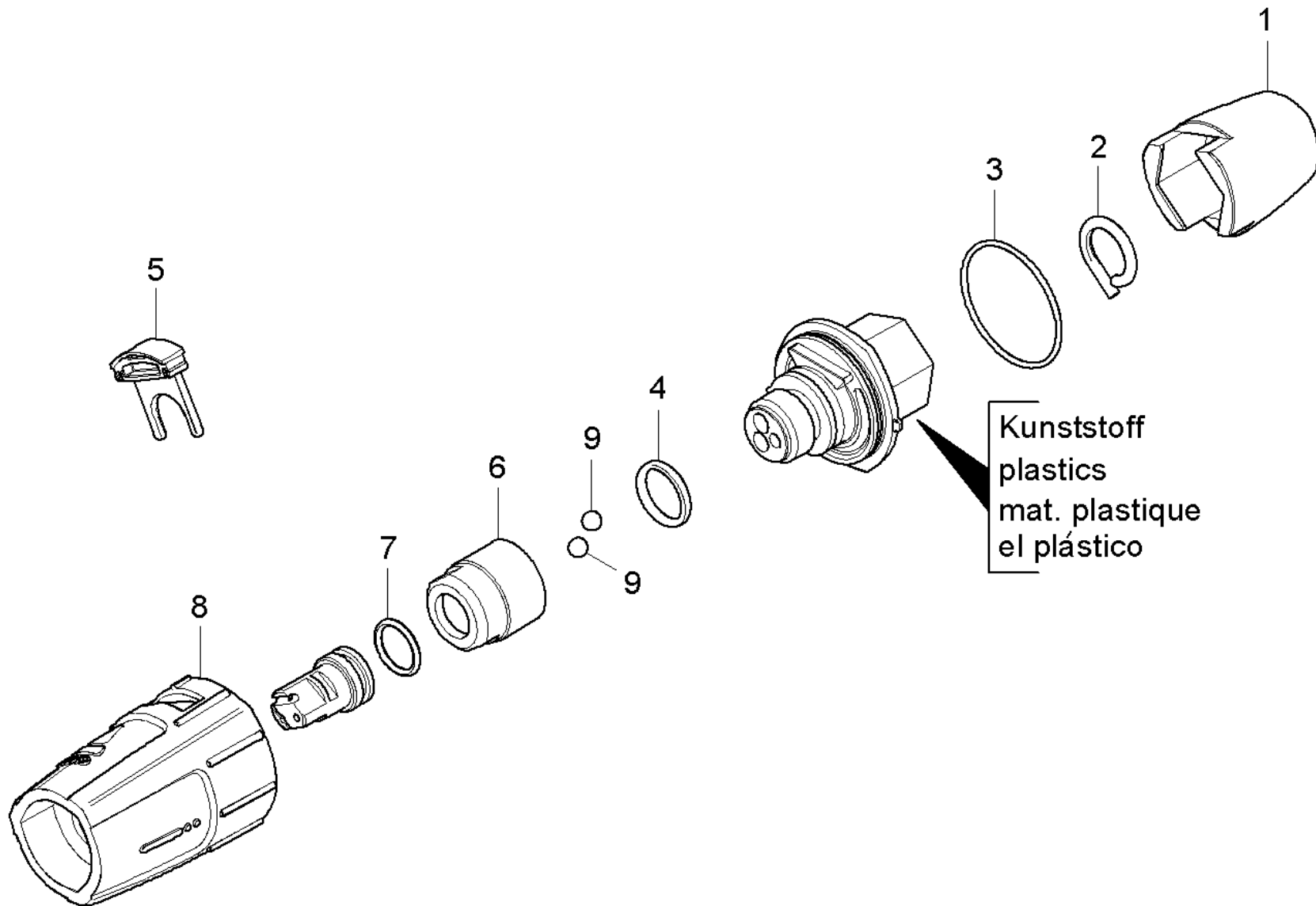
POS	Article no.	Description	Quantity	Unit
1	5.394-530.0	Protection part complete	1.000	ST
2	6.343-150.0	Pin 03	1.000	ST
3	6.362-409.0	O-Ring seal 32,0 X 1,5	1.000	ST
4	6.362-460.0	O-Ring seal 14,0 X 2,5-NBR 70	1.000	ST
5	5.321-884.0	Clamp	1.000	ST
6	5.311-225.0	Nut	1.000	ST
7	6.362-480.0	O-Ring seal 12,42x 1,78	1.000	ST
8	5.394-859.0	Protection part	1.000	ST
9	7.401-902.0	Sphere 5 G20 -1.4034 DIN 5401	2.000	ST

Triple jet nozzle only for replacement 0 (4.767-195.0)

POS	Article no.	Description	Quantity	Unit
2	5.970-837.0	Spare parts list triple jet nozzle	1.000	ST

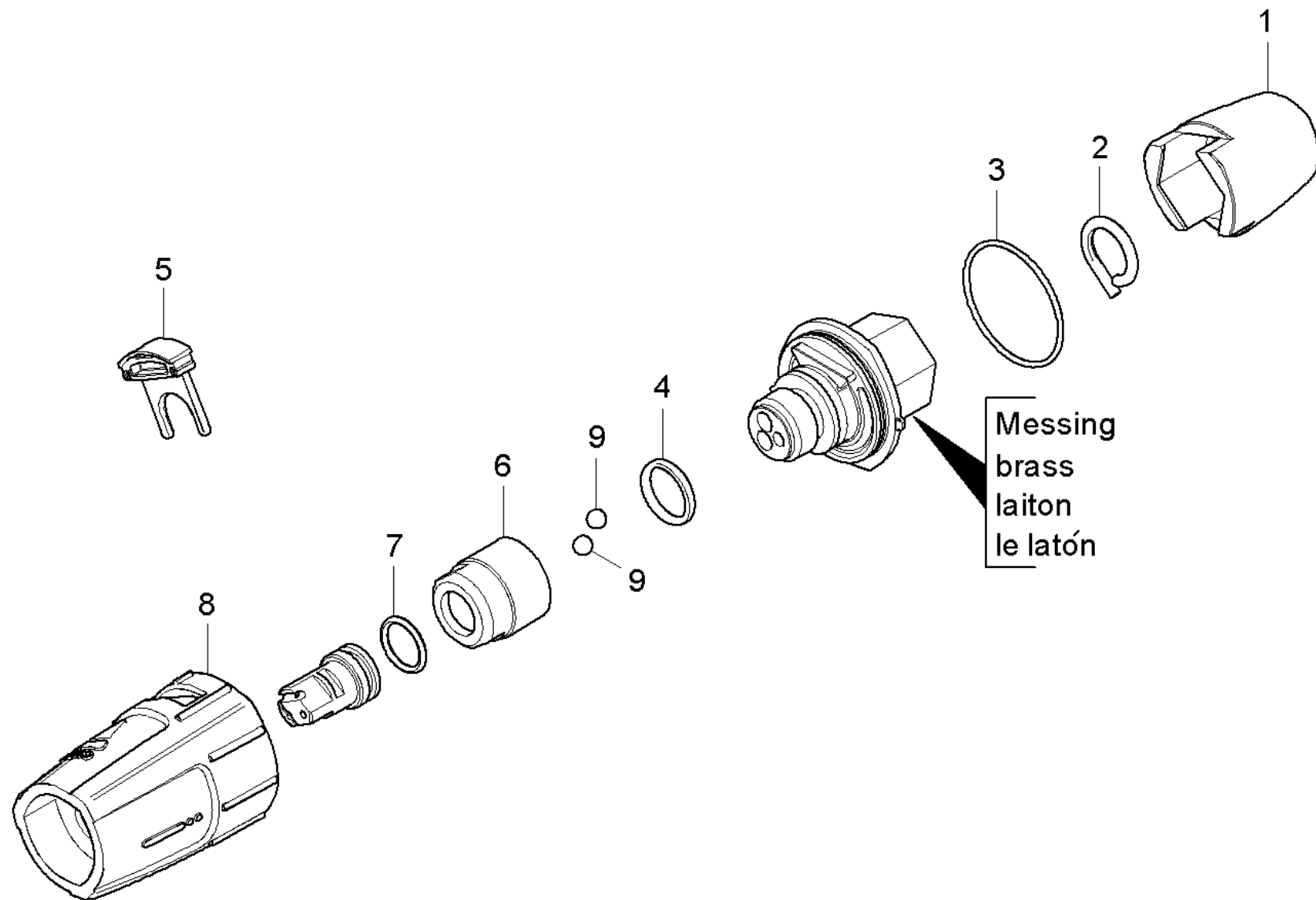
2 Spare parts list triple jet nozzle (5.970-837.0)

POS	Description	Quantity	Unit
10	Triple jet nozzle plastics	1.000	ST
20	Triple jet nozzle brass	1.000	ST



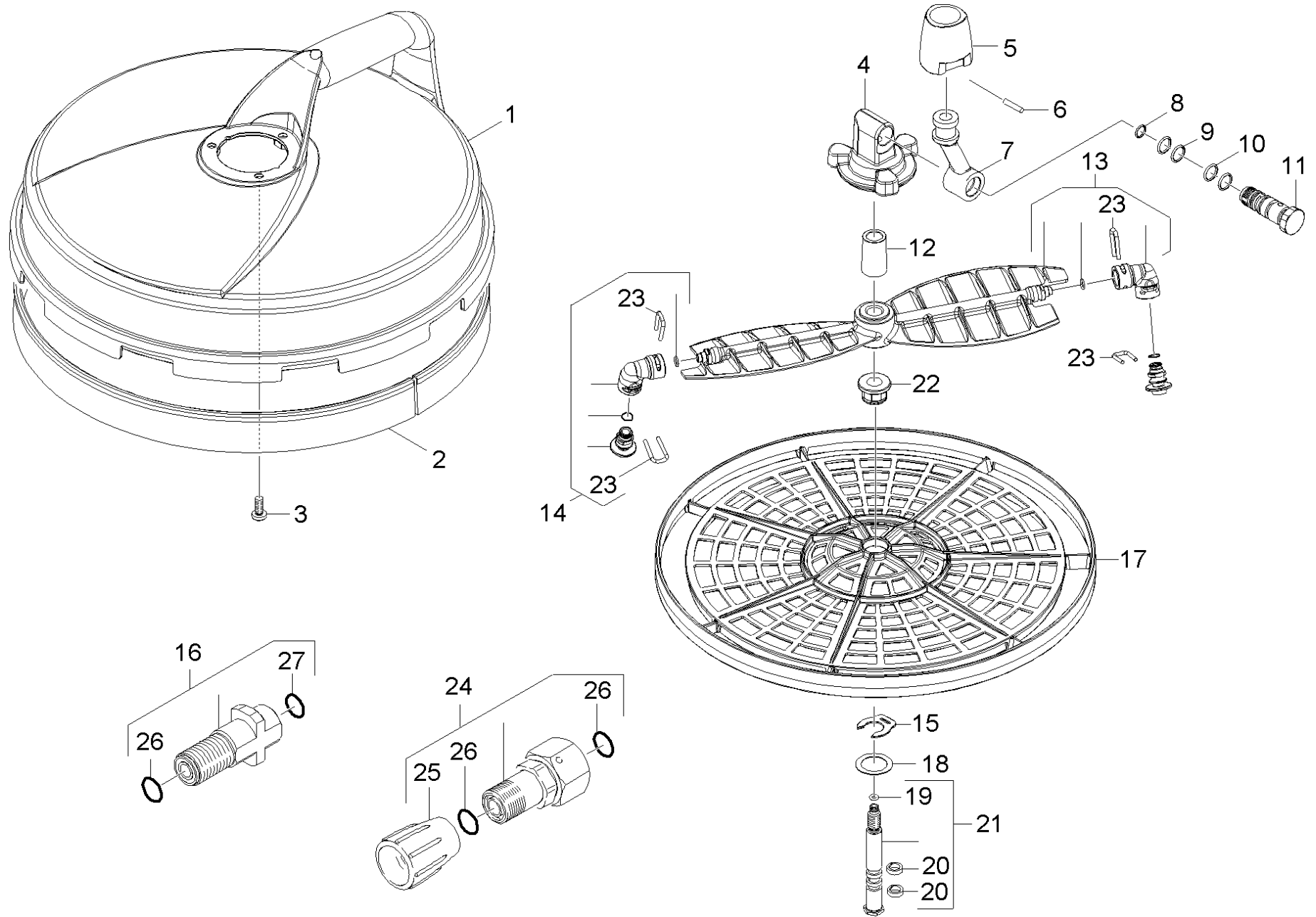
10 Triple jet nozzle plastics

POS	Article no.	Description	Quantity	Unit
1	5.394-530.0	Protection part complete	1.000	ST
2	6.343-150.0	Pin 03	1.000	ST
3	6.362-409.0	O-Ring seal 32,0 X 1,5	1.000	ST
4	7.362-039.0	O-Ring seal 15,5x1,5 -NBR70 DIN 3771	1.000	ST
5	5.321-884.0	Clamp	1.000	ST
6	5.311-236.0	Nut	1.000	ST
7	6.362-480.0	O-Ring seal 12,42x 1,78	1.000	ST
8	5.394-874.0	Protection part	1.000	ST
9	7.401-902.0	Sphere 5 G20 -1.4034 DIN 5401	2.000	ST



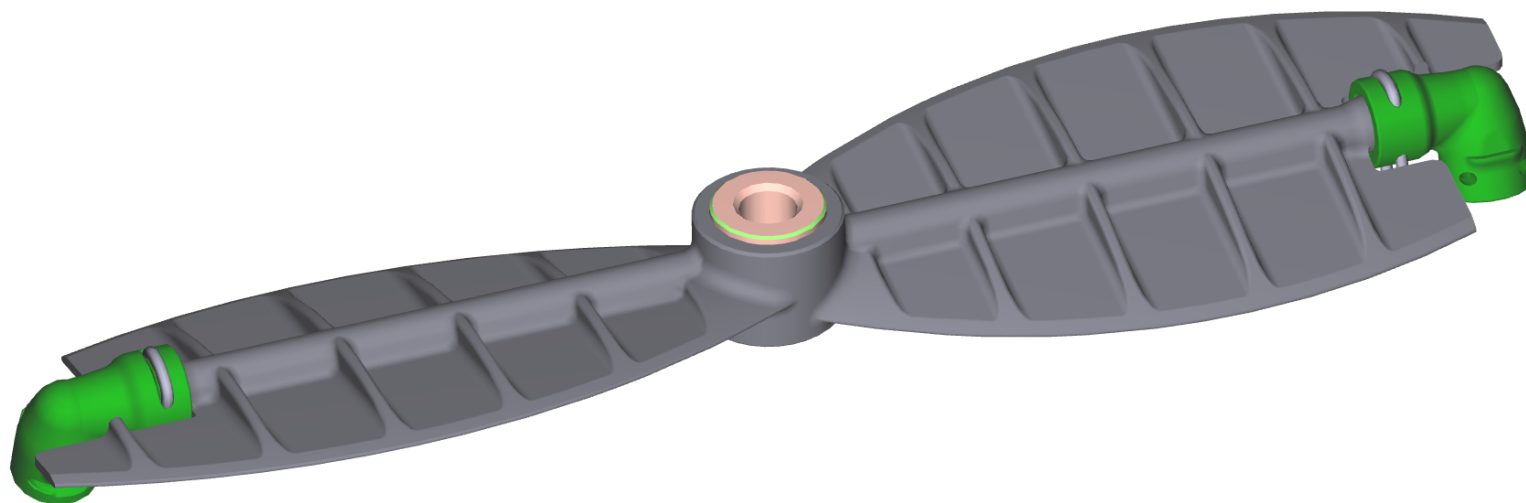
20 Triple jet nozzle brass

POS	Article no.	Description	Quantity	Unit
1	5.394-530.0	Protection part complete	1.000	ST
2	6.343-150.0	Pin 03	1.000	ST
3	6.362-409.0	O-Ring seal 32,0 X 1,5	1.000	ST
4	6.362-460.0	O-Ring seal 14,0 X 2,5-NBR 70	1.000	ST
5	5.321-884.0	Clamp	1.000	ST
6	5.311-225.0	Nut	1.000	ST
7	6.362-480.0	O-Ring seal 12,42x 1,78	1.000	ST
8	5.394-859.0	Protection part	1.000	ST
9	7.401-902.0	Sphere 5 G20 -1.4034 DIN 5401	2.000	ST



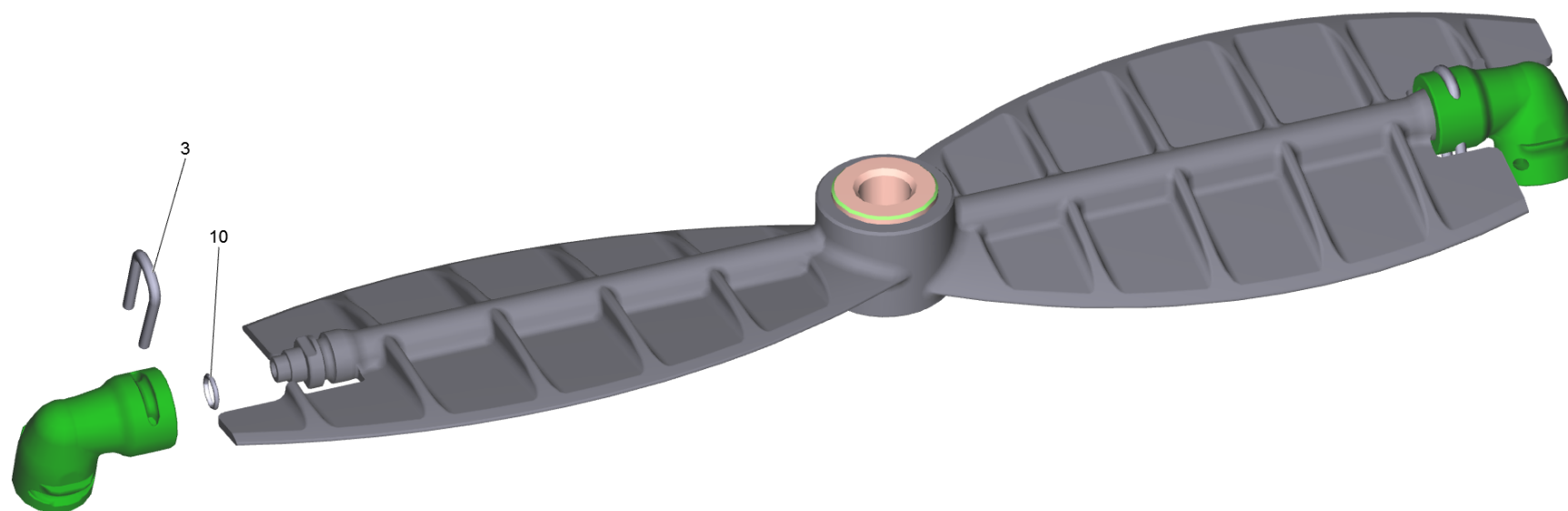
48 Surface cleaner

POS	Article no.	Description	Quantity	Unit	Remark	Foot note text
1	4.066-376.0	Cover complete	1.000	ST		
2	6.371-051.0	Brush-corona FR 28	1.000	ST		
3	7.306-181.0	Screw M 5x 12-A2-70 (In6Rd)	3.000	ST		
4	5.481-451.0	Base body	1.000	ST		
5	5.394-530.0	Protection part complete	1.000	ST		
6	6.343-150.0	Pin 03	1.000	ST		
7	5.481-402.0	Hinge part	1.000	ST		
8	6.363-111.0	O-Ring seal 7,0 X 1 -NBR 70	1.000	ST		
9	6.362-384.0	O-Ring seal 9x1,5 - NBR 70	2.000	ST		
10	6.363-614.0	O-Ring seal 9 x 2 -NBR90	2.000	ST		
11	5.100-569.0	Axle	1.000	ST		
12	5.901-225.0	Sleeve	1.000	ST		
13	2.885-297.0	Spare part set Rotor FR Classic	1.000	ST		
14	2.885-313.0	Spare parts set power nozzle 15017	1.000	ST	017	SET OF 2 PIECES
14	2.885-312.0	Spare part set nozzles 020	1.000	ST	020	SET OF 2 PIECES
15	7.343-206.0	Lock washer 12-2.1030 DIN 6799	1.000	ST		
16	4.762-402.0	Adapter	1.000	ST		
17	5.394-873.0	Grate T 400 Plus	1.000	ST		
18	7.343-079.0	Shim ring 17x24x0,5 -A2 DIN 988	1.000	ST		
19	6.362-984.0	O-Ring d. 3 x 1,5 NBR 80	1.000	ST		
20	5.363-412.0	Seal	2.000	ST		
21	2.885-298.0	Spare part set Lagerzapfen	1.000	ST		
22	5.035-439.0	Sleeve	1.000	ST		
23	5.037-151.0	Clamp	4.000	ST		
24	4.402-022.0	Screw union	1.000	ST		
25	5.401-210.0	Screw connector part	1.000	ST		
26	2.880-990.0	Spare part set O-Ring 5x -Kaercher	1.000	ST		
27	6.362-642.0	O-Ring d. 7,65x1,78 -NBR 80	1.000	ST		



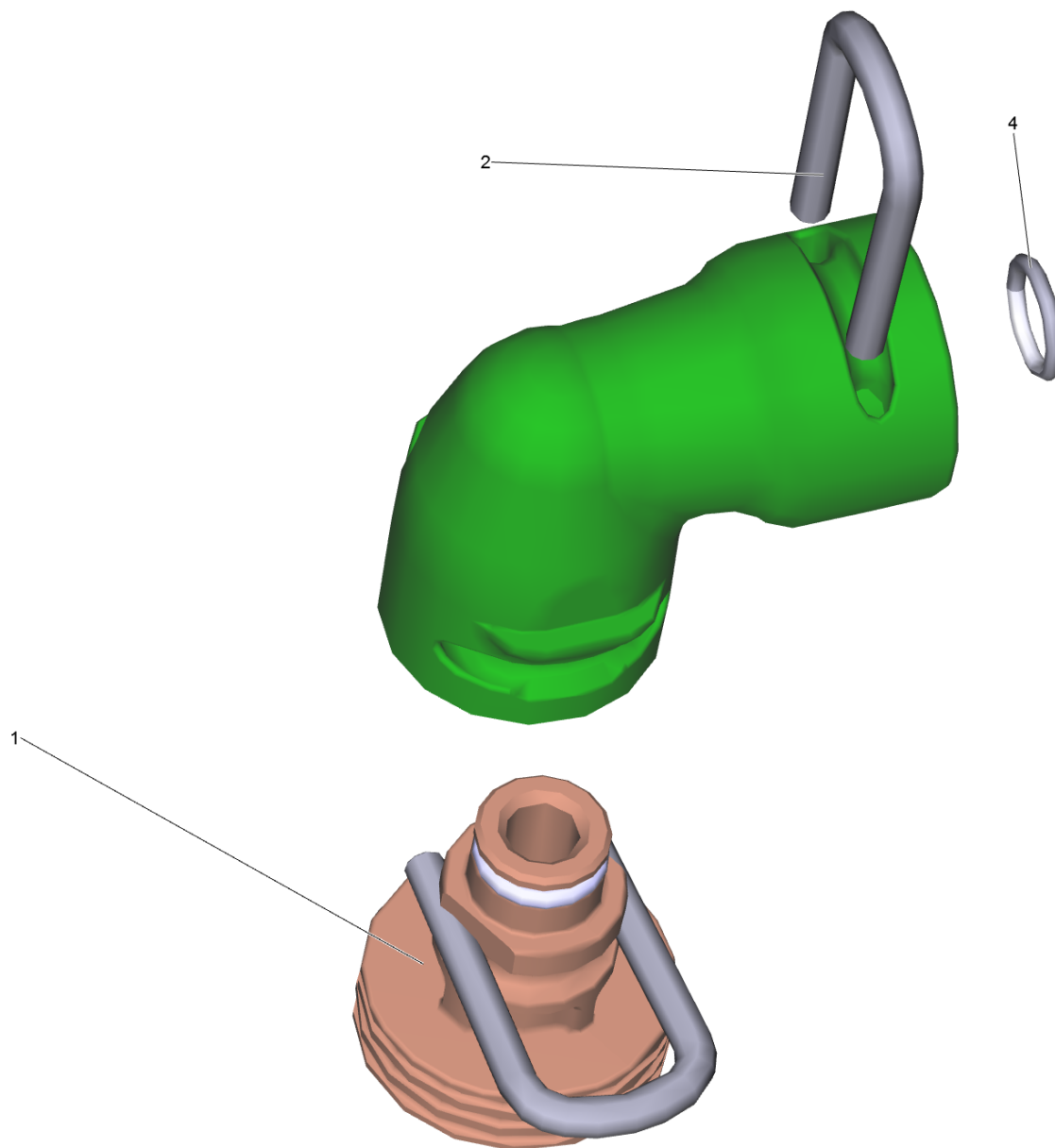
13 Spare part set Rotor FR Classic (2.885-297.0)

POS	Description	Quantity	Unit
10	Rotor complete T 400	1.000	ST



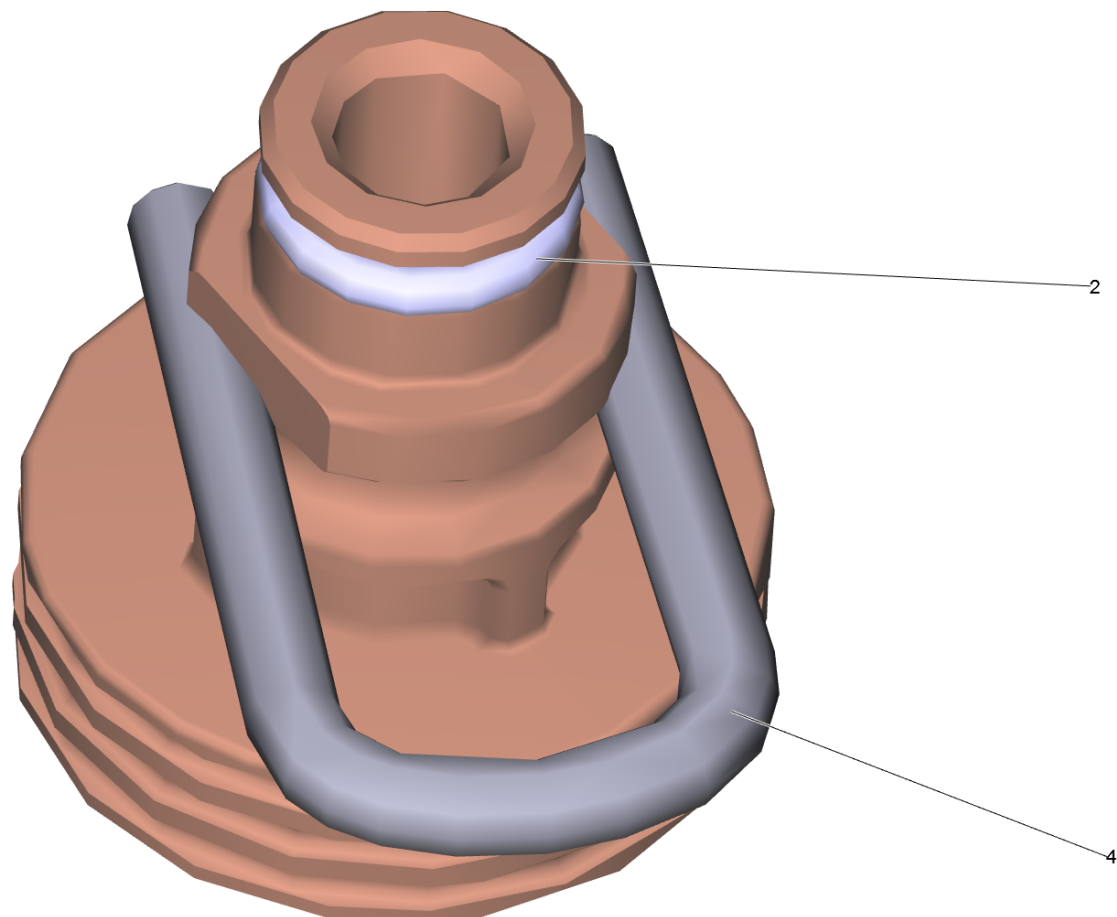
10 Rotor complete T 400

POS	Article no.	Description	Quantity	Unit
3	5.037-151.0	Clamp	1.000	ST
10	6.362-661.0	O-Ring seal 5,0 X 1,0-NBR 80	2.000	ST



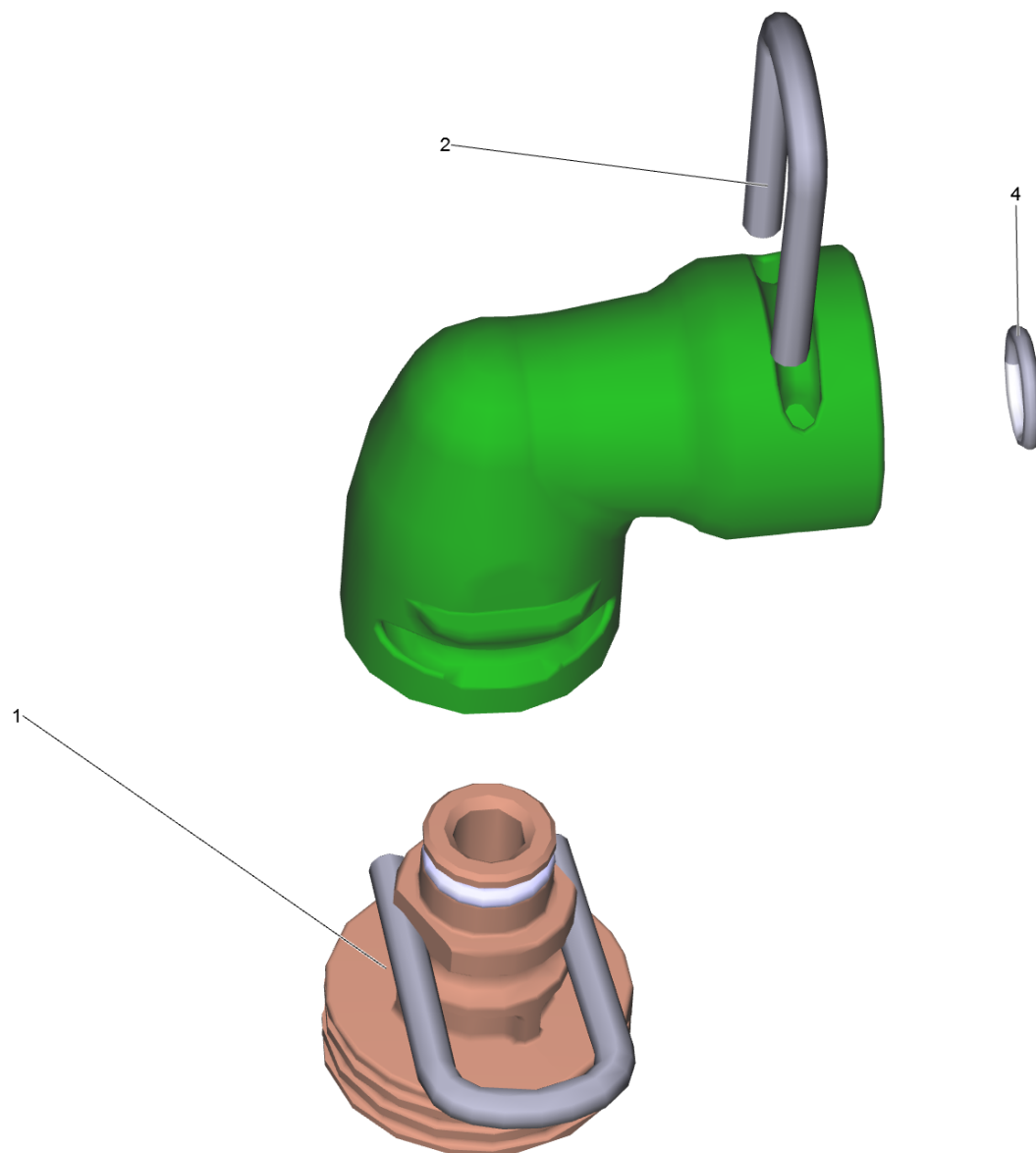
14 Spare part set nozzles 020 (2.885-312.0)

POS	Article no.	Description	Quantity	Unit
1		Nozzle complete 15020	1.000	ST
2	5.037-151.0	Clamp	2.000	ST
4	6.362-661.0	O-Ring seal 5,0 X 1,0-NBR 80	2.000	ST



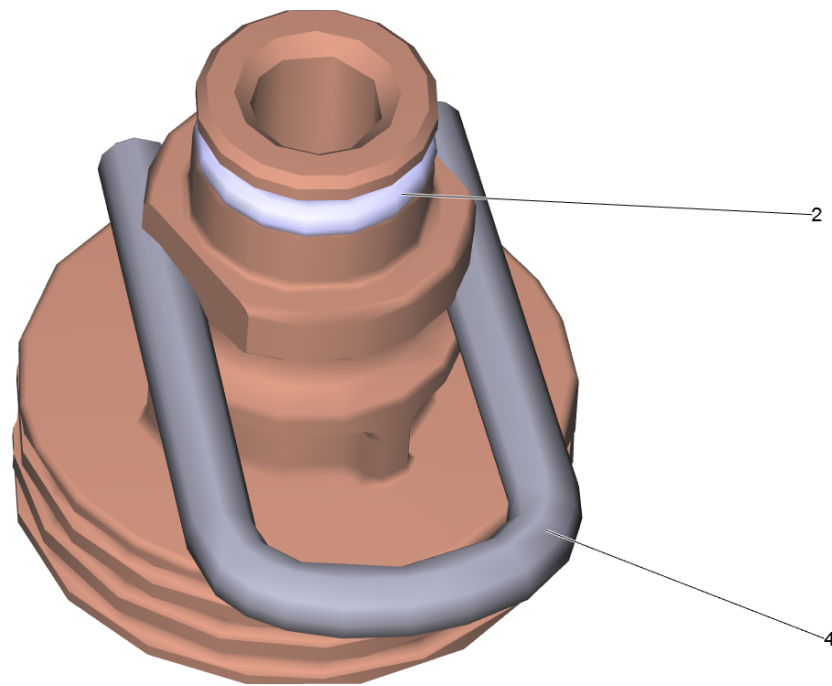
1 Nozzle complete 15020

POS	Article no.	Description	Quantity	Unit
2	6.363-609.0	O-Ring seal 5 x 1,2 -EPDM	2.000	ST
4	5.037-151.0	Clamp	2.000	ST



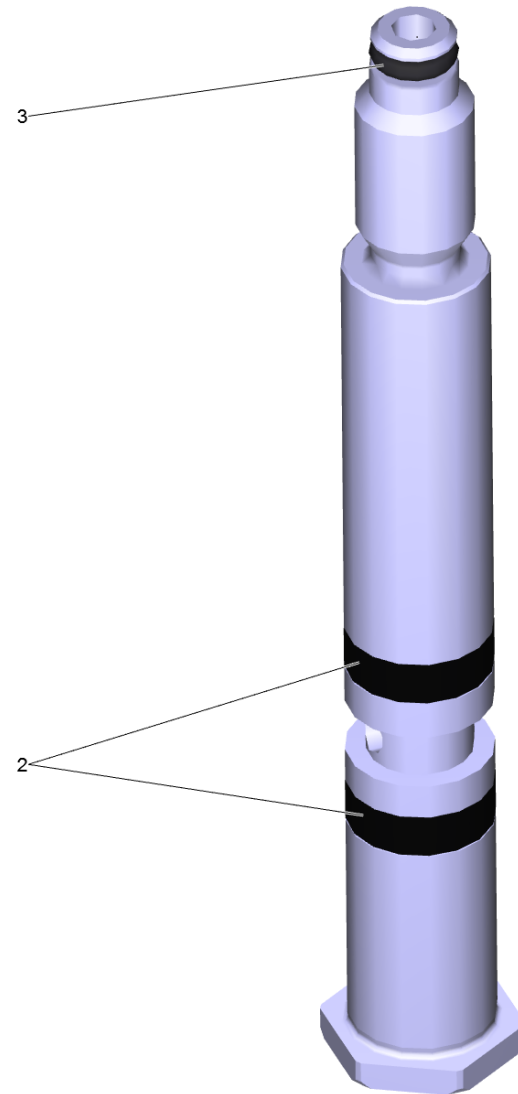
14 Spare parts set power nozzle 15017 (2.885-313.0)

POS	Article no.	Description	Quantity	Unit
1		Power nozzle kpl 15017	1.000	ST
2	5.037-151.0	Clamp	2.000	ST



1 Power nozzle kpl 15017

POS	Article no.	Description	Quantity	Unit
4	5.037-151.0	Clamp	2.000	ST



21 Spare part set Lagerzapfen (2.885-298.0)

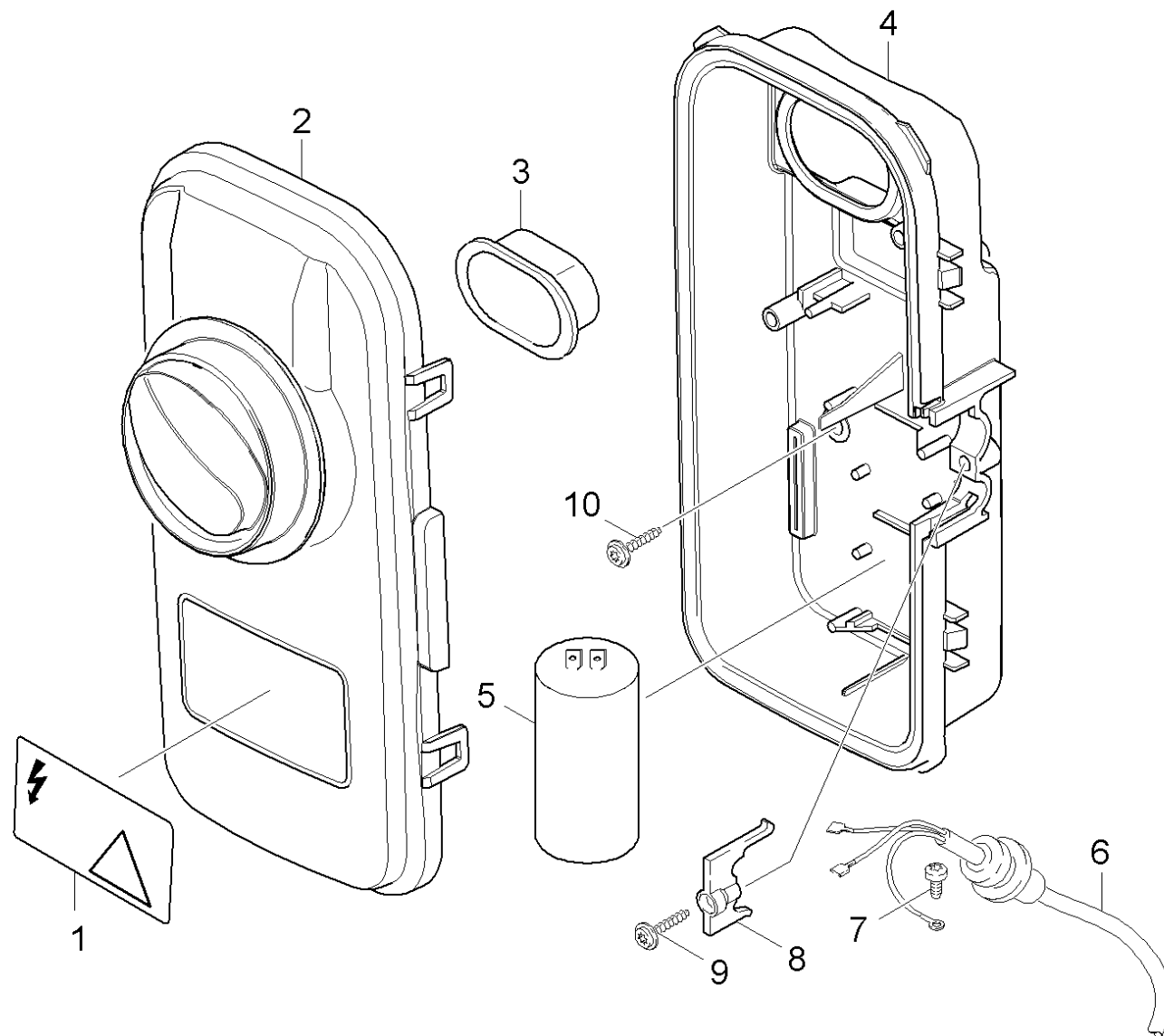
POS	Article no.	Description	Quantity	Unit
2	5.363-412.0	Seal	2.000	ST
3	6.362-984.0	O-Ring d. 3 x 1,5 NBR 80	1.000	ST

24 Screw union (4.402-022.0)

POS	Article no.	Description	Quantity	Unit
9000	7.362-501.0	O-Ring seal 10x2 EPDM 70 DIN 3770	2.000	ST

25 Screw connector part (5.401-210.0)

POS	Description	Quantity	Unit
10	PORCA CAPA INSERTO	1.000	ST



50 Electric box

POS	Article no.	Description	Quantity	Unit	Remark
1	5.388-512.0	Label	1.000	ST	
2	4.744-266.0	Switch complete	1.000	ST	
	Item text1: 1.514-114.0 /-125.0 /-128.0 /-502.0 /-601.0 /-651.0 / -652.0				
2	4.744-166.0	Switch complete	1.000	ST	
	Item text1: 1.514-501.0 / -551.0 / -552.0 / -553.0				
	Item text2: /-554.0				
3	5.365-181.0	Profile gasket	1.000	ST	
4	5.061-000.0	Housing	1.000	ST	
5	6.661-129.0	Capacitor 25MF	1.000	ST	25 mF
5	6.661-298.0	Capacitor 40µF	1.000	ST	40 mF
5	6.661-132.0	Capacitor 35MF	1.000	ST	35 mF
6	6.649-943.0	Cable with plug CH	1.000	ST	
	Item text1: / 1.514-552.0				
6	6.648-979.0	Cable with plug *AUS	1.000	ST	
	Item text1: / 1.514-553.0				
6	6.648-906.3	Cable with plug	1.000	ST	
	Item text1: / 1.514-114.0 /-125.0 /-128.0 /-501.0 /-502 /-551.0 /-601.0 /-651.0				
6	6.648-977.0	Cable with plug *GB	1.000	ST	
	Item text1: 1.514-652.0				
6	6.648-977.0	Cable with plug *GB	1.000	ST	
	Item text1: 1.514-554.0				
7	7.303-031.0	Screw M4x10 -St-P2R (In6Rd)	1.000	ST	
8	5.263-051.0	Tensioning part	1.000	ST	
9	6.303-200.0	Screw 5x25-IN6RD	1.000	ST	
10	6.303-153.0	Screw M5x15-ST-R2R (IN6RD)	3.000	ST	