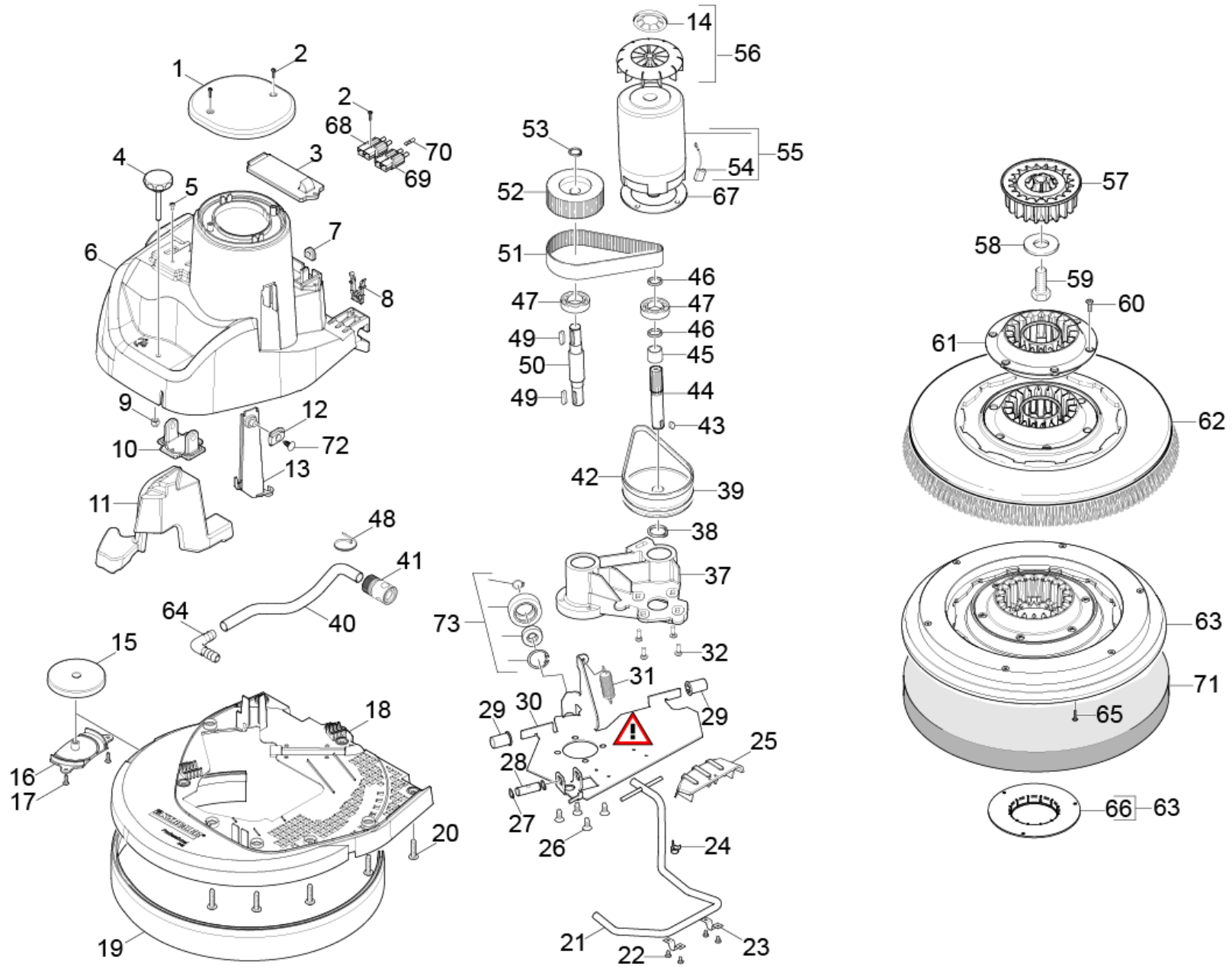


10 Power brush BD

Professional \ Floor cleaner \ Walk behind \ B 40 \ Brush-head D 43 Bp \ Brush-head D 43 Bp \ Power brush BD



10 Power brush BD

Professional \ Floor cleaner \ Walk behind \ B 40 \ Brush-head D 43 Bp \ Brush-head D 43 Bp \ Power brush BD



POS	Article no.	Description	Quantity	Unit	Remark	Foot note text
41	2.645-191.0	Hose coupling entry Universal	1	PC		
21	4.035-435.0	Lever complete BD 40	1	PC		
30	4.035-438.0	Base plate transmission complete	1	PC		
55	4.623-077.0	Direct current motor replacement Hengye	1	PC	Hengye	
63	4.762-533.0	Pad disk complete D43	1	PC	D43	
63	4.762-592.0	Pad disk complete STRONG D43	1	PC	D43	ATTENTION! FITS ONLY TO PAD "MELAMIN"
62	4.905-022.0	Disc brush cpl. middle red 430 mm	1	PC		
62	4.905-023.0	Disc brush cpl. soft nature 430 mm	1	PC		
62	4.905-024.0	Disc brush cpl. white 430 mm	1	PC		
62	4.905-025.0	Disc brush cpl. hard black 430 mm	1	PC		
61	5.033-002.0	Retainer brush SWS	1	PC		
3	5.035-386.0	Cover electric box	1	PC		
6	5.035-411.0	Cover BD	1	PC		
18	5.035-414.0	Cover disk D43	1	PC	D43	
19	5.035-416.0	Splash-proof profile D43	1	PC	D43	
8	5.035-424.0	Snap-fit	2	PC		
16	5.035-498.0	Fixing deflector roll	1	PC		
15	5.035-499.0	Deflector roll	1	PC		
1	5.035-500.0	Motor cover BD	1	PC		
10	5.035-604.0	Suspension seal brush-head BD	1	PC		
12	5.035-673.0	Sliding shoe	1	PC		
13	5.035-674.0	Mounting plate brush-head D43 / D51	1	PC		
28	5.035-683.0	Bolt contact pressure adjustment	1	PC		
11	5.035-693.0	Additional weight BD40W	1	PC		
29	5.035-711.0	Bearing bush	2	PC		
57	5.037-537.0	Retainer transmission	1	PC		VERSION 1
37	5.044-897.0	Holder belt drive	1	PC		
50	5.100-378.0	Shaft belt drive 1 BD 530	1	PC		
44	5.100-379.0	Shaft belt drive 2	1	PC		
46	5.112-616.0	Bush	2	PC		
45	5.112-619.0	Bush for belt drive	1	PC		
67	5.114-480.0	Ring motor	1	PC	D43	

10 Power brush BD

Professional \ Floor cleaner \ Walk behind \ B 40 \ Brush-head D 43 Bp \ Brush-head D 43 Bp \ Power brush BD



POS	Article no.	Description	Quantity	Unit	Remark	Foot note text
66	5.122-015.0	Centerlock	1	PC		
25	5.481-370.0	Pedal lever notch	1	PC		
52	5.625-402.0	Toothed lock washer 63Z	1	PC		
39	5.625-403.0	Toothed lock washer 125Z	1	PC		
20	6.303-315.0	Screw 8 x 35	11	PC		
59	6.304-176.0	Hexagonal head screw M8x16-A4-70 ISO 401	1	PC		VERSION 1
4	6.321-249.0	Star grip	1	PC		
31	6.330-093.0	Extension spring	1	PC		
14	6.343-149.0	Quick-fastener	1	PC		
72	6.343-261.0	Quick-fastener	1	PC		
42	6.348-383.0	Toothed belt HTD-447-3M-15 CXPIII	1	PC		
51	6.348-384.0	Toothed belt HTD-475-5M-40 CXPIII	1	PC		
71	6.369-469.0	Polishing pad white	1	ZSA		
71	6.369-470.0	Pad red 432 mm (5 pcs kit)	1	ZSA		
71	6.369-472.0	Pad green 432 mm (5 pcs kit)	1	ZSA		
71	6.369-473.0	Pad black	1	ZSA		
71	6.371-023.0	Pad set 2x D 430 Melamin	1	PC		FITS ONLY TO DISK PAD "STRONG"
71	6.371-081.0	Polishing pad beige	1	PC		
71	6.371-149.0	Polishing pad beige 432 mm	1	PC		
23	6.373-689.0	Pipe clamp	2	PC		
40	6.388-248.0	Hose DN12,7	1	m		TO ORDER AS CUT GOODS
24	6.388-559.0	Hose clip	1	PC		
64	6.388-628.0	Elbow connector 1/2"	1	PC		
54	6.610-026.0	Carbon brush set	1	PC	Hengye	
56	6.610-027.0	Blower wheel only for replacement Hengye	1	PC	Hengye	
54	6.610-239.0	Carbon brush set ATAS	1	PC	ATAS	
56	6.613-025.0	Blower wheel	1	PC	ATAS	
48	6.641-463.0	Cable tape	2	PC		
68	6.643-047.0	Plug red complete 75A 12mm ²	1	PC	BAT	
69	6.643-048.0	Plug blue complete 75A 12mm ²	1	PC	BAT	
70	6.646-979.0	Switch contact 6 mm ²	1	PC	BAT	
7	6.648-064.0	Cable bushing	1	PC		

10 Power brush BD

Professional \ Floor cleaner \ Walk behind \ B 40 \ Brush-head D 43 Bp \ Brush-head D 43 Bp \ Power brush BD



POS	Article no.	Description	Quantity	Unit	Remark	Foot note text
5	7.303-038.0	Screw M5x12 -St-P2R (In6Rd)	2	PC		
65	7.303-096.0	Screw 4x22-ST-10.9-R2R (IN6RD)	3	PC		
2	7.303-107.0	Screw 5x16 -10.9-P2R (K-In6Rd)	4	PC		
17	7.303-107.0	Screw 5x16 -10.9-P2R (K-In6Rd)	2	PC		
60	7.303-112.0	Screw 6x20 -10.9-R2R (In6Rd)	6	PC		
26	7.303-226.0	Countersunk screw M8x20-St-A3E DIN7500(I)	4	PC		VERSION 1
22	7.303-328.0	Screw M5x8 -St-flZn/nc480h/C (In6Rd)	4	PC		
32	7.306-090.0	Screw M6x16 -8.8-P2R (In6Rd)	4	PC		
9	7.311-514.0	Hexagon nut M 8-A2-70 ISO 7040	1	PC		
58	7.312-268.0	Washer 8 -A2 ISO 7094	1	PC		
43	7.318-004.0	Parallel key A 6x6x12-C45K DIN 6885-1	1	PC		
49	7.318-031.0	Parallel key 6x6x28 -C45K DIN 6885-1	2	PC		
38	7.343-007.0	Locking ring 20x1,2-FST-RF DIN 471	1	PC		
53	7.343-018.0	Locking ring 18x1,2-Rf-St DIN 471	1	PC		
27	7.343-036.0	Locking ring 14x1-FST-RF DIN 471	2	PC		
47	7.401-173.0	Ball bearing 6204-2RS-WAELZLAGST DIN 4 625	4	PC		
55	7.777-999.0	Stockpiling discontinued	1	PC	ATAS	
73	9.753-044.0	Brush contact pressure complete B 25	1	PC		