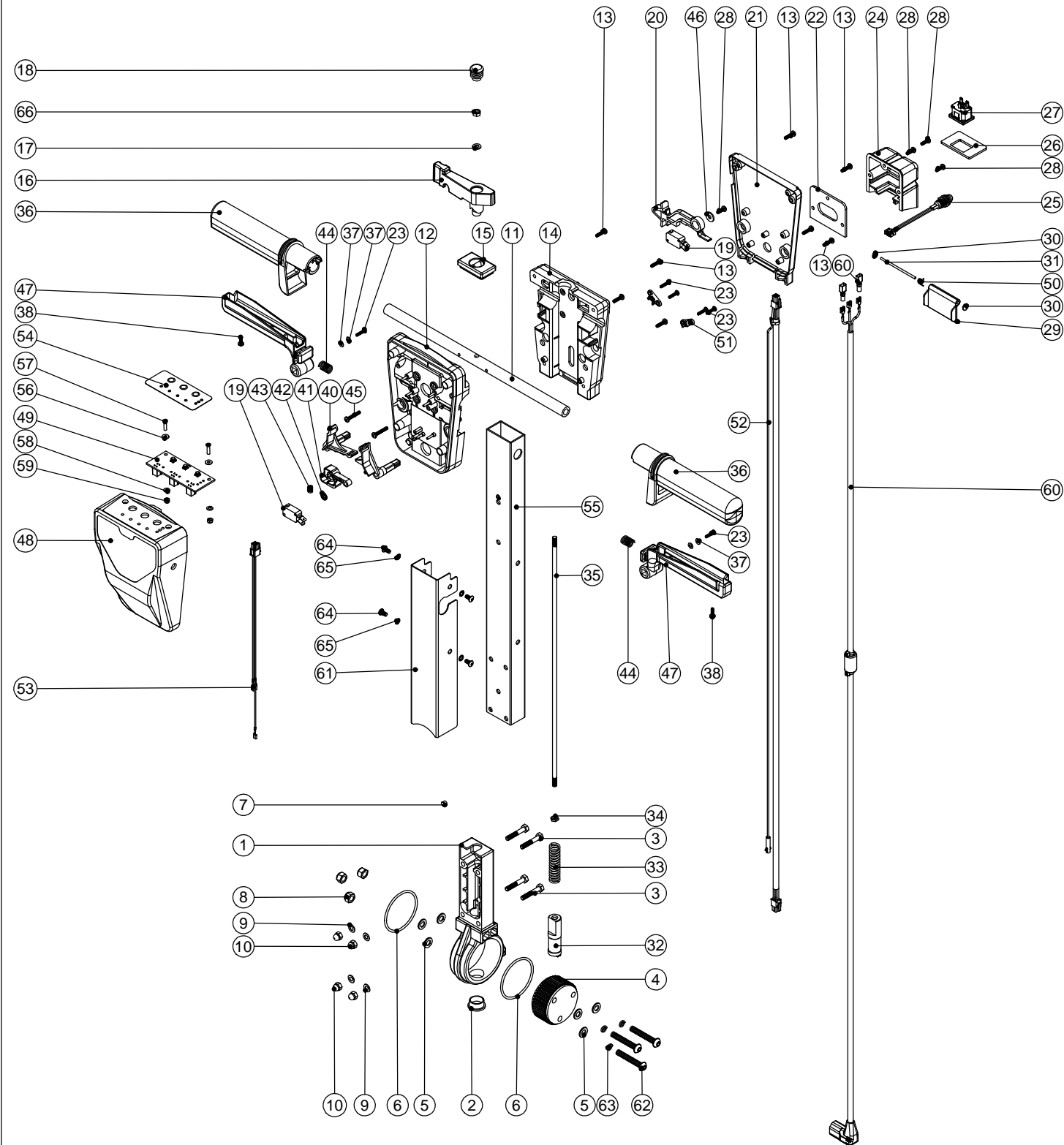


Numatic International Spare Parts

Model No: Handle Assembly

NB: FOR WIRING SEE DRAWING: : DRW-12220

234940
DRAWING: DRW-13407 ISS: A01
11/03/2013



Numatic International Spare Parts

Model No: Handle Assembly

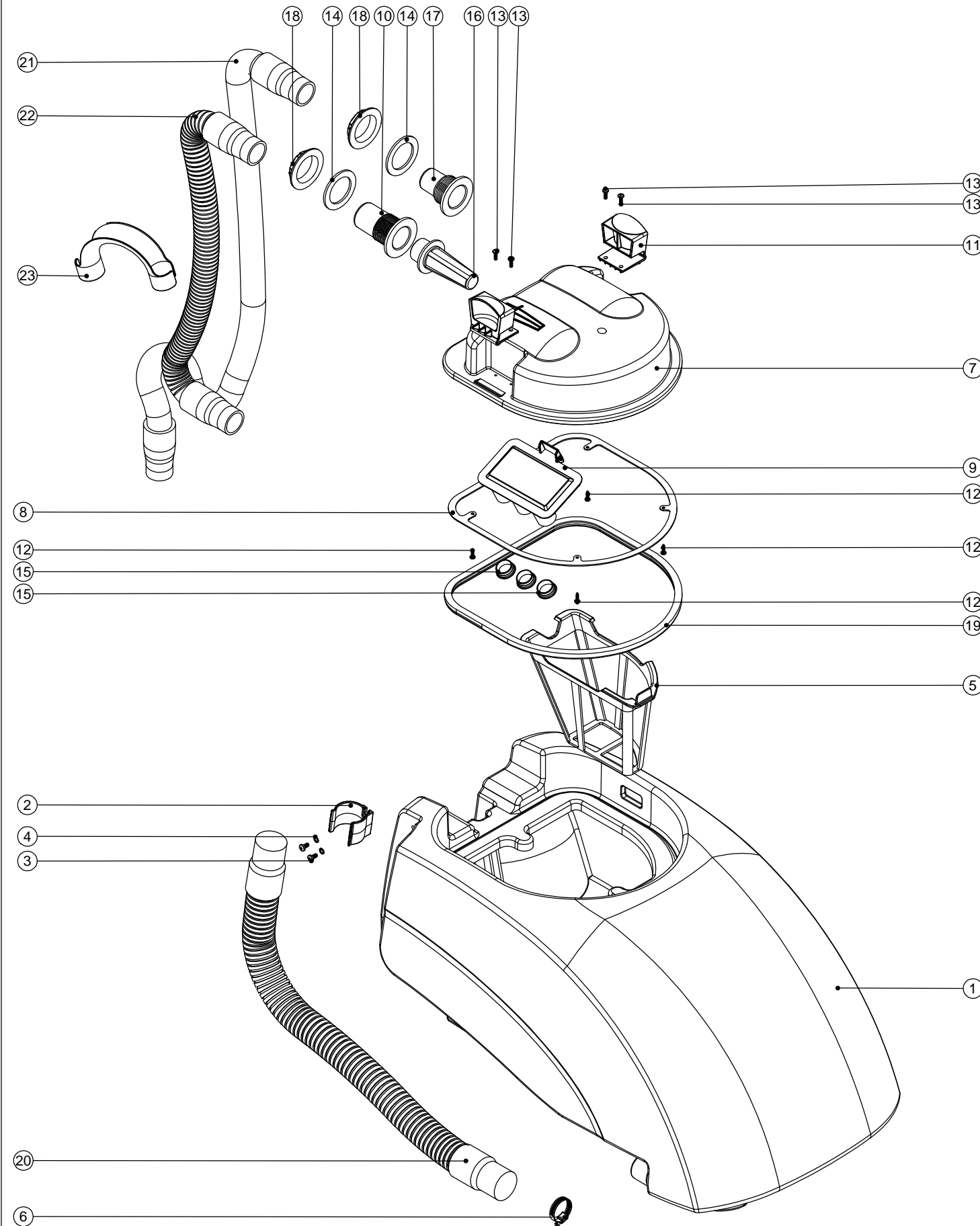
ITEM:	PART No:	DESCRIPTION	COMMENTS:
1	304437	PROCESSED HANDLE CASTING	
2	229099	25MM DIA HOLE PLUG	
3	219064	M6 X 35MM LONG HEX BOLT	
4	229074	ADJUSTMENT GEAR	
5	219578	M8 FORM A STAINLESS STEEL WASHER	
6	219254	O RING 3MM DIA X 60MM I/D	
7	229009	BLANKING PLUG	
8	219639	M8 STAINLESS STEEL NYLON INSERT NUT	
9	219007	M6 FORM B WASHER	
10	219080	M6 DOMENUT	
11	338269	CROSS TUBE	
12	227576	FRONT INNER HALF MOULDING	
13	219105	No8 X 5/8 INCH LONG POZI PAN PLASTITE SCREW	
14	227577	REAR INNER HALF MOULDING	
15	227582	HANDLE PLUG MOULDING	
16	227583	ADJUSTMENT LEVER MOULDING	
17	219493	M6 NYLON WASHER	
18	20638V	19MM BLACK TUBE END STOP	
19	229483	SNAP ACTION SWITCH	
20	227584	INTERLOCK LEVER MOULDING	
21	303509	MODIFIED REAR COVER	
22	202105	SOCKET COVER SEALING GASKET	
23	219107	No6 X 5/8 INCH LONG POZI PAN PLASTITE SCREW	
24	329355	SOCKET COVER DRILLED	
25	270193	NEON INDICATOR RED LENS 230V C/W LINK WIRES	
26	329297	SOCKET MOUNTING PLATE	
27	220391	3 PIN APPLIANCE SOCKET	
28	219601	No8 X 3/8 INCH LONG POZI PAN PLASTITE SCREW	
29	227781	FLAP MOULDING	
30	219832	3MM DIAMETER STARLOCK	
31	390979	72MM LONG X 3MM DIAMETER STAINLESS STEEL BAR	
32	229073	GEAR LOCKING PIN	
33	229138	SPRING	
34	219099	M6 HALF NUT	
35	229461	440MM HANDLE LOCKING ROD	
36	227580	HAND GRIP MOULDING	
37	219206	M4 FORM A WASHER	
38	219270	No8 X 1/2 INCH LONG POZI PAN SELF TAP SCREW	
39	227585	LEFT HAND SWITCH OPERATING LEVER MOULDING	
40	227586	RIGHT HAND SWITCH OPERATING LEVER MOULDING	
41	227587	CENTRE SWITCH OPERATING LEVER MOULDING	
42	219805	4MM SPIREFIX	
43	219804	SWITCH COMPRESSION SPRING	
44	219803	TRIGGER COMPRESSION SPRING	
45	219811	NO8 X 1 INCH LONG POZI-PAN SELF TAP SCREW	
46	219005	M5 FORM G WASHER	
47	227581	TRIGGER MOULDING	
48	237429	TTB 4045 FRONT COVER MOULDING Hi/Lo	
49	208602	TTB3450 STYLE CONTROL PCB	
50	219819	TORSION SPRING	
51	229669	LOLINE HANDLE CABLE CLAMP	
52	208597	4 CORE LOOM ASSEMBLY C/W 810MM LONG BROWN WIRE	
53	208486	3 CORE HANDLE LOOM	
54	208611	CONTROL PANEL OVERLAY Hi Lo	
55	304421	430MM HANDLE TUBE - PAINTED ANTHRACITE GREY	
56	208521	NYLON WASHER 10.0 OD X 4.1 ID X 1.0MM	
57	219407	M4 X 16MM LONG POZI PAN COUNTERSUNK SCREW	
58	219688	M4 FORM A STAINLESS STEEL WASHER	
59	219083	M4 NYLON INSERT NUT	
60	321689	1620MM LONG EURO AC CHARGING LEAD ASSEMBLY	
61	304420	NUTSERTED TTB HANDLE COVER - PAINTED ANTHRACITE GREY	
62	219922	M8 X 50MM LONG SOCKET BUTTON HEAD STAINLESS STEEL BOLT	
63	219019	M8 COIL WASHER	
64	291004	M5 X 10MM LONG STAINLESS STEEL BUTTON HEAD SCREW	
65	219016	M5 SHAKEPROOF WASHER	
66	219642	M6 STAINLESS STEEL NYLON INSERT NUT	

Numatic International Spare Parts

Model No: TT/TTB/ET/ETB Machines Top Tank/Separator & Hoses Assy

234947
DRAWING: DRW-13409 ISS: A01
11/03/2013

NB: FOR WIRING SEE DRAWING: N/A



Numatic International Spare Parts

Model No: TT/TTB/ET/ETB Machines Top Tank/Separator & Hoses Assy

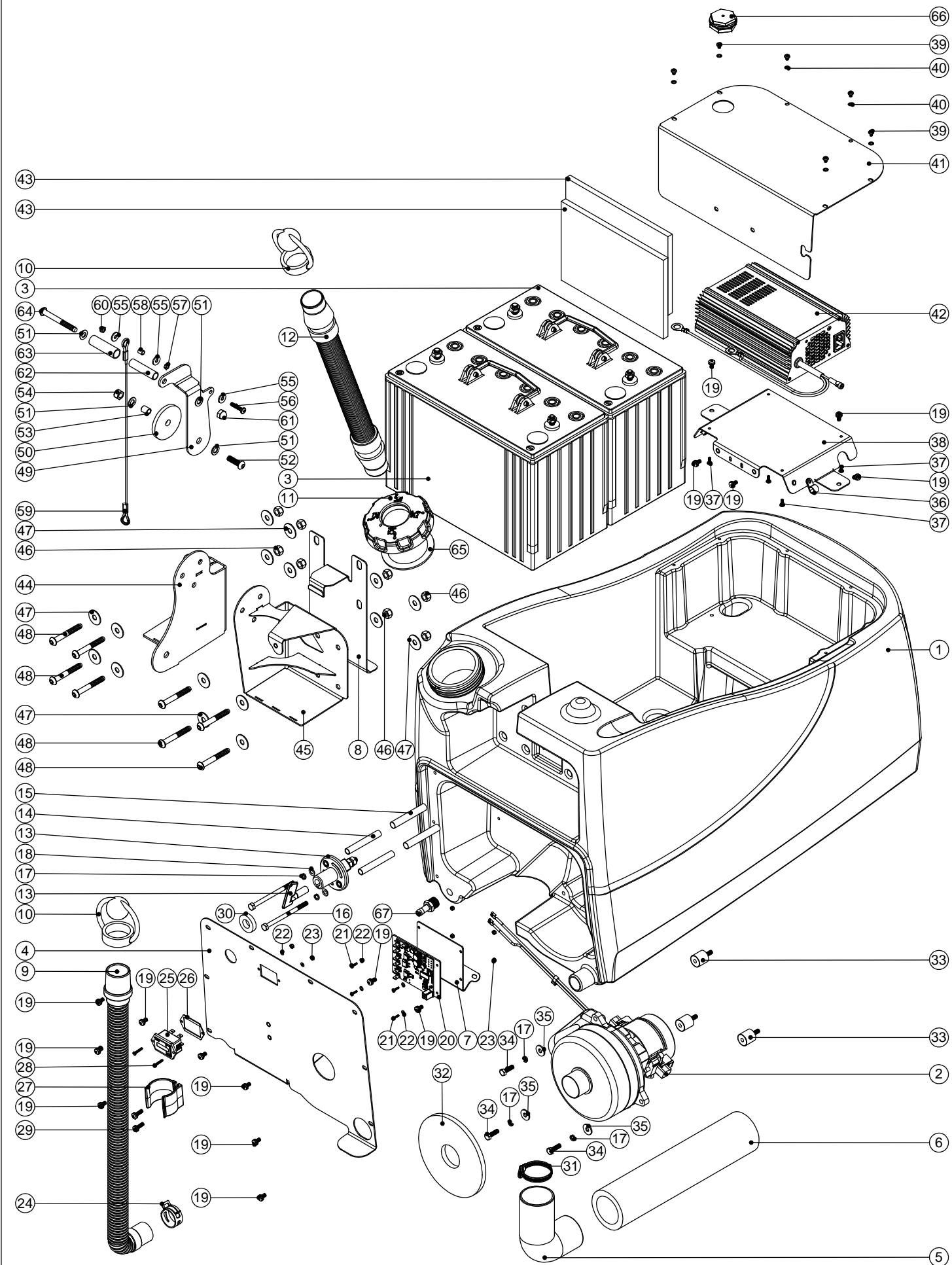
ITEM:	PART No:	DESCRIPTION	COMMENTS:
1	237483	ETB4045/4055 RED TOP TANK MOULDING	ETB VERSION (RED)
	237483	TTB4045/4055 BLUE TOP TANK	TTB VERSION (BLUE)
	237404	TT4045/TT4055 BLUE TOP TANK	TT BLUE TOP TANK (MAINS)
	237481	ET4045/ ET4055 RED TOP TANK	ET RED TOP TANK (MAINS)
2	237382	ACETAL HOSE CLIP MOULDING	
3	219668	M5 X 10MM LONG POZI PAN STAINLESS STEEL SCREW	
4	219016	M5 SHAKEPROOF WASHER	
5	207000	GRIT FILTER BASKET	
6	206209	A.B.A HOSE CLIP	
7	237381	INTERGRATED CHASSIS SEPARATOR	
8	392200	FILTER GASKET RING	
9	237090	SEPARATOR FLOAT MOULDING (MK 2)	
10	237018	38MM DRAIN HOSE CONNECTOR	
11	229494	CLIP MOULDING	
12	219852	NO6 X 1/2 LONG POZI PAN STAINLESS STEEL SELF TAP SCREW	
13	219569	No8 X 1/2 INCH LONG POZI PAN STAINLESS STEEL PLASTITE SCREW	
14	219310	RUBBER WASHER	
15	206315	TUBE END PLUG	
16	207122	BARREL FILTER	
17	206228	DRAIN HOSE CONNECTOR	ET/ETB VERSION (32MM)
	237018	38MM DRAIN HOSE CONNECTOR	TT/TTB VERSION (38MM)
18	206116	BLACK NUT	
19	208591	NEW SEPARATOR GASKET	
20	213047	38MM X 470MM LONG 3:1 STRETCH HOSE C/W CAP & STRAP	
21	206698	1.5 METRE SUCTION HOSE	ET/ETB VERSION (32MM)
	208624	TT/TTB4045/4055 STRETCH HOSE	TT/TTB VERSION (38MM)
22	208588	TT/TTB4045/4055 VAC HOSE	
23	206512	HOSE HOOK	ET/ETB VERSION ONLY

Numatic International Spare Parts

Model No: TTB4045/100S & TTB4055/100S BOTTOM TANK / BATTERIES / VAC MOTOR & CHARGER ASSEMBLY EXPLODED

234950
DRAWING: DRW-13422 ISS: A01
21/03/2013

NB: FOR WIRING SEE DRAWING: DRW-11379



Numatic International Spare Parts

Model No: TTB4045/100S & TTB4055/100S BOTTOM TANK / BATTERIES / VAC MOTOR & CHARGER ASSEMBLY EXPLODED

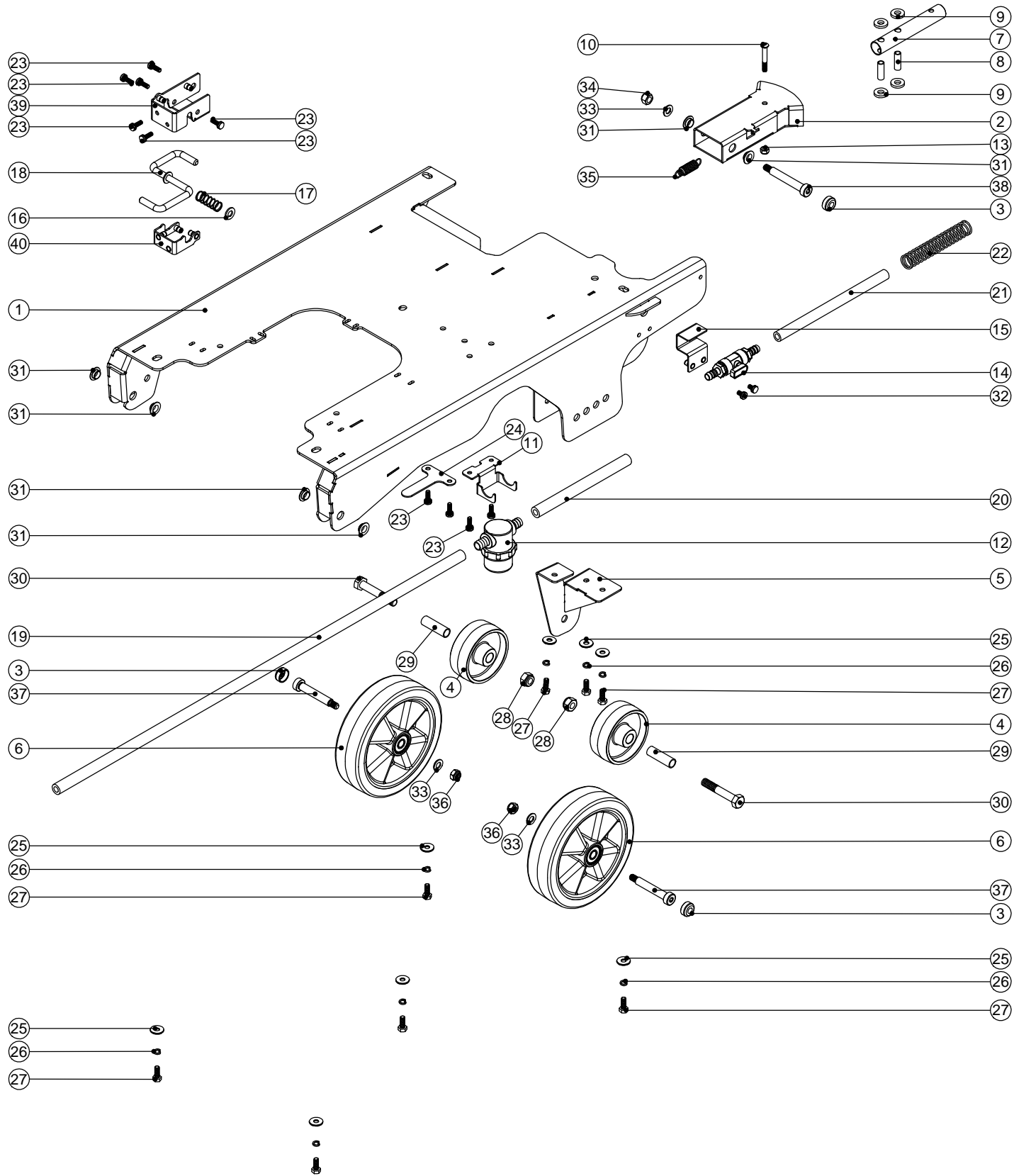
ITEM:	PART No:	DESCRIPTION	COMMENTS:
1	237398	TTB/4045/4055 BLUE BOTTOM TANK MOULDING	
2	321686	24V TANGENTIAL DISCHARGE 2-STAGE VAC MOTOR C/W 320MM & 415MM LONG WIRES	
3	230108	100A/H GEL BATTERY	
4	304423	NUTSERTED REAR BAY COVER PLATE - PAINTED GREY	
5	208571	DIP MOULDED ELBOW	
6	208306	SILENCER FOAM TUBE	
7	404113	POWER ELECTRONICS MOUNT BRACKET PAINTED GREY	
8	404167	WIRE COVER PLATE PAINTED GREY	
9	213025	DUMP HOSE	
10	206111	HOSE CLOSURE	
11	237174	FILLER CAP (WITH MIDDLE HOLE)	
12	206842	420MM LONG BLACK STRETCH HOSE C/W CUFFS	
13	206746	MASTER KEY SWITCH & KEY	
14	391442	ISOLATOR KEY SPACER	
15	321633	70MM LONG X 10MM I/D BLACK PVC SLEEVING	
16	219534	M6 X 90MM LONG HEX BOLT	
17	219718	M6 STAINLESS STEEL SPRING WASHER	
18	219007	M6 FORM B WASHER	
19	219047	M5 X 10MM LONG POZI PAN SEMS SCREW	
20	208468	TTB 1840 DC DRIVE PCB	
21	219031	M3 X 10MM LONG POZI PAN SCREW	
22	219237	M3 FORM A WASHER	
23	219070	M3 NYLON INSERT NUT	
24	208471	CONSTANT TENSION CLIP	
25	208178	HOURS METER	
26	208577	HOURS METER GASKET	
27	237382	ACETAL HOSE CLIP MOULDING	
28	219500	M3 X 16MM LONG STAINLESS STEEL SLOT SCREW	
29	219045	M5 X 16MM LONG POZI PAN SEMS SCREW	
30	202116	ISOLATOR WASHER GASKET	
31	219529	STAINLESS STEEL HOSE CLAMP (45MM - 60MM)	
32	208477	MOTOR PAD	
33	208576	AV MOUNT MALE TO FEMALE M6	
34	219455	M6 X 20MM LONG HEX HEAD SCREW	
35	219008	M6 FORM G WASHER	
36	219393	P CLIP	
37	219301	No6 X 3/8 INCH LONG POZI PAN SELF TAP SCREW	
38	304422	NUTSERTED CHARGER PLATE - PAINTED GREY	
39	219697	M4 X 8MM LONG POZI PAN STAINLESS STEEL SCREW	
40	219015	M4 SHAKEPROOF WASHER	
41	404117	CHARGER COVER PLATE PAINTED GREY	
42	321904	230V/24V/10 AMP HF NORD CHARGER (SHORTER SLEEVING & LONGER WIRES)	
43	208645	FOAM BATTERY SPACER	
44	304425	NUTSERTED HANDLE MOUNT (LH) WELD ASSEMBLY Z/PL	
45	304424	NUTSERTED HANDLE MOUNT (RH) WELD ASSEMBLY Z/PL	
46	219078	M8 NYLON INSERT NUT	
47	221154	M8 FORM C WASHER	
48	219917	M8 X 60MM LG Z/PL SOCKET BUTTON HEAD BOLT	
49	392234	FLOOR TOOL LIFTING HANDLE	
50	392160	SQUEEGEE LIFT WASHER	
51	219578	M8 FORM A STAINLESS STEEL WASHER	
52	219555	M8 X 25MM LONG SOCKET BOLT	
53	208650	FLOOR TOOL LIFT BUSH	
54	219639	M8 STAINLESS STEEL NYLON INSERT NUT	
55	219005	M5 FORM G WASHER	
56	219057	M5 X 25MM LONG POZI PAN SCREW	
57	219721	M5 STAINLESS STEEL FULL NUT	
58	219508	SPIROL SPACER	
59	208573	360MM LONG LIFTING LINK WIRE	
60	219633	M5 STAINLESS STEEL NYLON INSERT NUT	
61	219077	M8 DOMENUT	
62	391093	52MM LONG VAC MOTOR SPACER	
63	391131	53MM LONG BLACK NYLON TUBE	
64	219806	M8 X 70MM LONG SOCKET BUTTON HEAD BOLT	
65	208564	FILLER CAP SEALING RING	
66	208659	VIEWING GLASS C/W NUT & WASHER	
67	219389	3/8 INCH BSP X 3/8 INCH HOSE TAIL	

Numatic International Spare Parts

Model No: ETB4045/60 & ETB1120 & TTB4045/100S & TTB1117 & TTB4055/100S & TTB1120 CHASSIS ASSEMBLY EXPLODED DRAWING

234943
DRAWING: DRW-13495 ISS: A01
20/03/2013

NB: FOR WIRING SEE DRAWING: DRW-12220, DRW-12901, DRW-11379.



Numatic International Spare Parts

Model No: ETB4045/60 & ETB1120 & TTB4045/100S & TTB1117 & TTB4055/100S & TTB1120 CHASSIS ASSEMBLY EXPLODED DRAWING

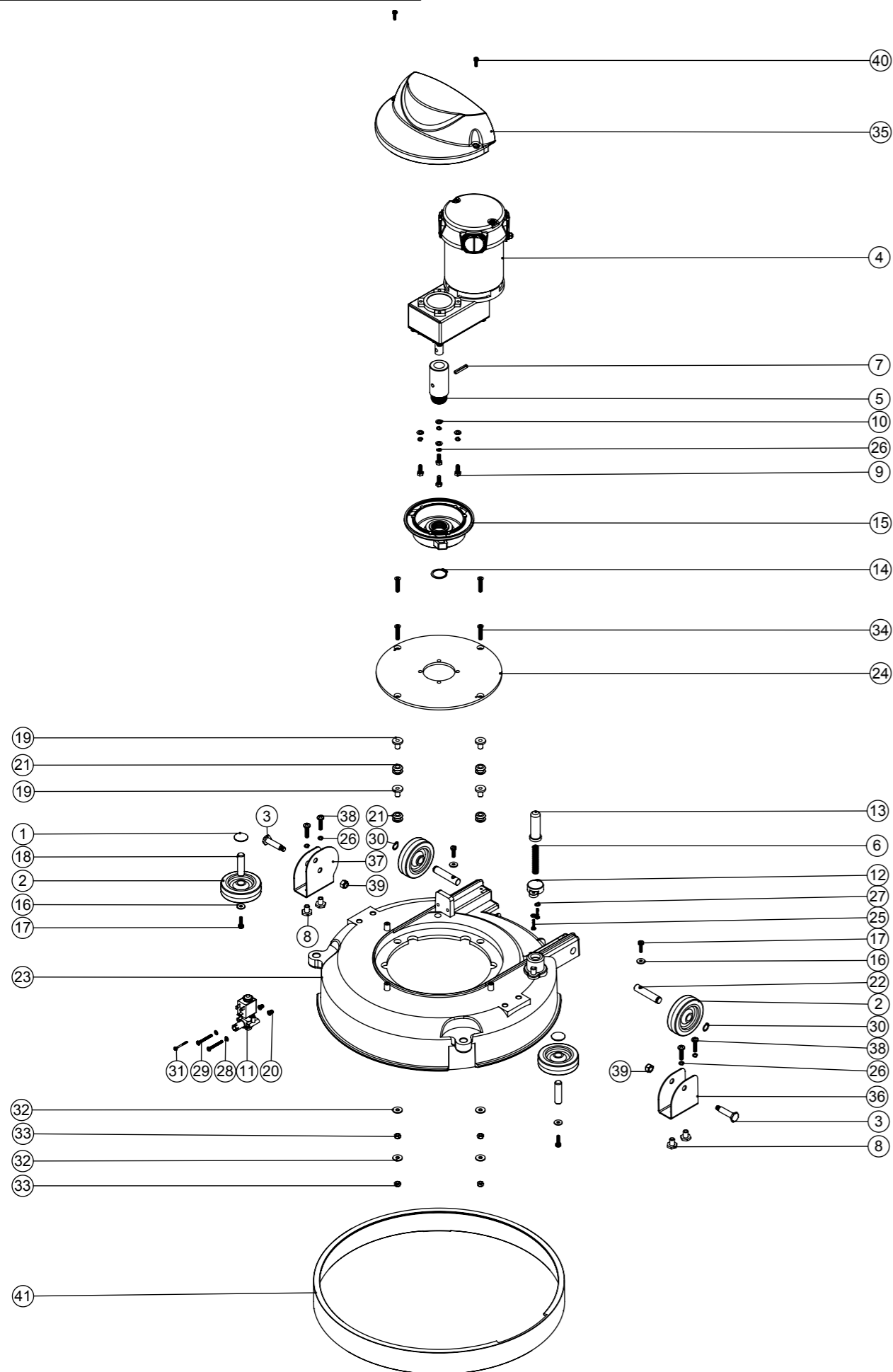
ITEM:	PART No:	DESCRIPTION	COMMENTS:
1	304328	TTB4045 / TTB4455 STAINLESS STEEL CHASSIS WELDED ASSEMBLY	TTB MACHINES
	304383	ETB MILD STEEL CHASSIS WELDED ASSEMBLY PAINTED GREY	ETB MACHINES
2	304359	TT/TTB/4045/4055 SQUEEGEE MOUNT WELD ASSEMBLY	
3	237632	SHOULDER BOLT COVER	
4	206713	80MM DIAMETER BLACK WHEEL	
5	304360	TRANSPORT WHEEL BRACKET WELD ASSEMBLY	TTB MACHINES
	404152	MILD STEEL PAINTED GREY TRANSPORT WHEEL BRACKET WELD ASSEMBLY	ETB MACHINES
6	208638	160MM DIAMETER WHEEL / POLYURETHANE TYRE	
7	304356	FLOOR TOOL PIVOT TUBE	
8	206954	SPIRO SPACER	
9	206964	SLIDE NYLON SPACER	
10	219807	M6 X 40MM LONG SOCKET BUTTON HEAD BOLT	
11	392199	FILTER BRACKET	
12	208575	STRAINER	
13	219853	M6 NYLOC HALF NUT (STAINLESS STEEL)	
14	208761	10MM PUSH FIT TO 10MM HOSE TAIL BALL VALVE ASSEMBLY	
15	304453	NUTSERTED 10MM TAP BRACKET	
16	219010	M8 FORM A WASHER	
17	208578	DECK LOCK SPRING	
18	304358	DECK LOCK BAR WELD ASSEMBLY	
19	391453	SILICON TUBE 750MM LONG X 8MM I/D X 3.2MM WALL SECTION	
20	391452	SILICON TUBE 170MM LONG X 8MM I/D X 3.2MM WALL SECTION	
21	391481	200MM LONG BRAIDED PVC HOSE	
22	219333	COMPRESSION SPRING	
23	219045	M5 X 16MM LONG POZI PAN SEMS SCREW	
24	321902	SILENCER CLAMP	
25	219647	M6 FORM G STAINLESS STEEL WASHER	
26	219718	M6 STAINLESS STEEL SPRING WASHER	
27	219719	M6 X 16MM LONG HEXAGONAL STAINLESS STEEL HEAD BOLT	
28	219649	M10 NYLON INSERT NUT	
29	391440	1/2 INCH X 18G X 41MM LONG STAINLESS STEEL SPACER TUBE	
30	219894	M10 X 60MM LONG HEXAGONAL STAINLESS STEEL BOLT	
31	208312	IGUS BEARING (GFM 101205)	
32	219047	M5 X 10MM LONG POZI PAN SEMS SCREW	
33	219578	M8 FORM A STAINLESS STEEL WASHER	
34	219639	M8 STAINLESS STEEL NYLON INSERT NUT	
35	208619	FLOOR TOOL SPRING	
36	219857	M8 NYLON INSERT HALF NUT	
37	291057	M8 X 10 X 55MM LONG HEX SOCKET SHOULDER BOLT	
38	208574	M8 X 10 X 60MM LONG HEX SOCKET SHOULDER BOLT	
39	304409	NUTSERTED DECK LOCK BAR GUIDE	
40	304411	NUTSERTED LOCK BAR CLAMP	

Numatic International Spare Parts

Model No: 450MM BATTERY DECK ASSEMBLY EXPLODED DRAWING

234945
DRAWING: DRW-13408 ISS:A01
05/03/2013

NB: FOR WIRING SEE DRAWING: DRW-12220 DRW-11379



Numatic International Spare Parts

Model No: 450MM BATTERY DECK ASSEMBLY EXPLODED DRAWING

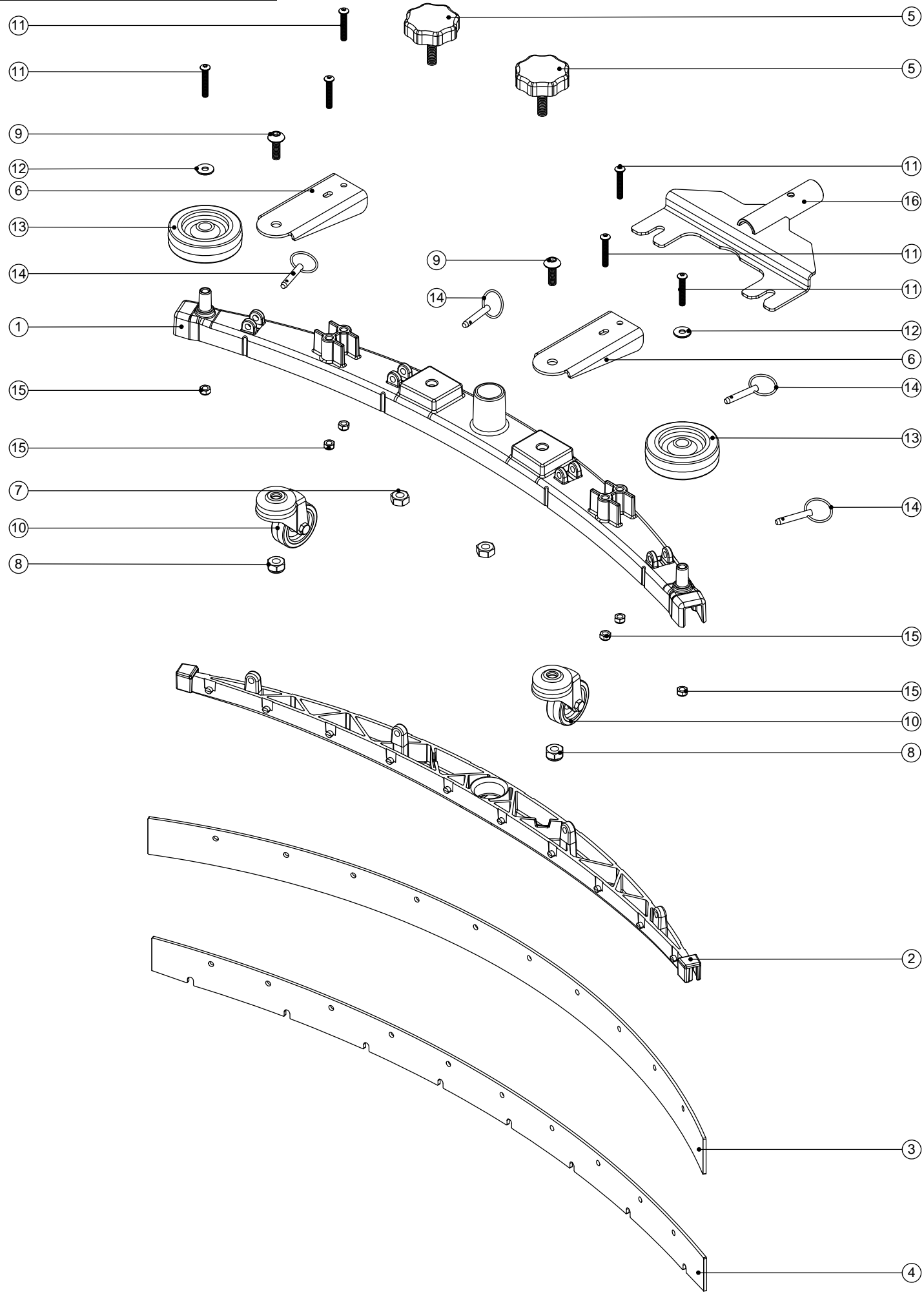
ITEM:	PART No:	DESCRIPTION	COMMENTS:
1	204021	12.7MM STAINLESS STEEL HUB CAP	
2	204068	3 INCH GREY WHEEL	
3	206236	PIVOT PIN	
4	205245	AMER BRUSH MOTOR (24V-330W-100RPM-15AMP)	
5	208727	DRIVE SHAFT	
6	219394	COMPRESSION SPRING	
7	219523	GROOVED PIN	
8	219606	BRACKET SPACER	
9	219719	M6 X 16MM LONG HEXAGONAL STAINLESS STEEL HEAD BOLT	
10	219870	M6 FORM A WASHER STAINLESS STEEL	
11	220379	24V D.C. SOLENOID VALVE	
12	223242	PLUNGER MOUNTING PLATE MOULDING	
13	229128	PLUNGER	
14	230048	26MM EXTERNAL CIRCLIP	
15	230207	DIE CAST CHUCK MACHINED	
16	219005	M5 FORM G WASHER	
17	219546	M5 X 20MM LONG POZI PAN SEMS SCREW	
18	206013	BUFFER WHEEL PIN	
19	208011	MOTOR MOUNTING SPACER	
20	219009	M4 BRASS TAPPEX INSERT	
21	229025	STANDARD GROMMET	
22	229382	REAR WHEEL PIN	
23	229258	TT 345 GRAPHITE BASE MOULDING	
24	404166	TTB4045/4055 AMER MOTOR ADAPTOR PLATE PAINT ANTHRACITE GREY	
25	219568	No8 X 3/4 INCH LONG POZI PAN STAINLESS STEEL SCREW	
26	219549	M6 SINGLE COIL WASHER	
27	219355	M5 FORM A STAINLESS STEEL WASHER	
28	219206	M4 FORM A WASHER	
29	219703	M4 X 35MM LONG STAINLESS STEEL POZI PAN SCREW	
30	219345	12MM EXTERNAL CIRCLIP	
31	219251	REPLACEMENT MPM CONNECTOR M3 SCREW	
32	219008	M6 FORM G WASHER	
33	219642	M6 STAINLESS STEEL NYLON INSERT NUT	
34	291031	M6 X 30MM LONG STAINLESS STEEL COUNTERSUNK POZI PAN SCREW	
35	237380	AMER MOTOR COVER	
36	392249	DECK MOUNT RH	
37	392248	DECK MOUNT BRACKET	
38	219056	M6 X 25MM LONG POZI PAN SCREW	
39	219639	M8 STAINLESS STEEL NYLON INSERT NUT	
40	219472	M4 X 16MM LONG POZI PAN SEMS SCREW	
41	229644	450MM DIAMETER SPLASH SKIRT MOULDING	

Numatic International Spare Parts

Model No: Twintec Squeegee Assy (650mm Scrub Width/38mm Hose)

234680
DRAWING: DRW-4435 ISS: A02
20/10/2009

NB: FOR WIRING SEE DRAWING: N/A



Numatic International Spare Parts

Model No: Twintec Squeegee Assy (650mm Scrub Width/38mm Hose)

POS:	ITEM NO:	DESCRIPTION:	COMMENTS:
1	208198	(650MM SCRUB WIDTH) ALUMINIUM SQUEEGEE CASTING (38MM HOSE FITTING)	
2	229987	(650MM SCRUB WIDTH) BLADE HOLDER MOULDING (SLOPING PROFILE) (32MM & 38MM HOSE FITTING)	
3	206978	(650MM SCRUB WIDTH) REPLACEMENT (3.2MM / 43 SHORE A) REAR POLY/BLADE (847MM LONG)	STANDARD BLADE
	208202	(650MM SCRUB WIDTH) REPLACEMENT (4.0MM / 50 SHORE A) REAR POLY/BLADE (847MM LONG)	PREMIUM BLADE OPTION
	208203	(650MM SCRUB WIDTH) REPLACEMENT (4.0MM / 40 SHORE A) REAR RED LINATEX PREMIUM NATURAL RUBBER /BLADE (847MM LONG)	PREMIUM BLADE OPTION
4	206977	(650MM SCRUB WIDTH) REPLACEMENT (3.2MM / 43 SHORE A) FRONT POLY/BLADE (819MM LONG)	STANDARD BLADE
	208199	(650MM SCRUB WIDTH) REPLACEMENT (3.2MM / 50 SHORE A) FRONT POLY/BLADE (819MM LONG)	PREMIUM BLADE OPTION
	208201	(650MM SCRUB WIDTH) REPLACEMENT (3.2MM / 40 SHORE A) FRONT RED LINATEX PREMIUM NATURAL RUBBER /BLADE (819MM LONG)	PREMIUM BLADE OPTION
5	206951	QUICK RELEASE KNOB	
6	329825	CASTOR PLATE	
7	219963	M10 STAINLESS STEEL FULL NUT	
8	219897	M10 STAINLESS STEEL NYLON INSERT NUT	
9	219910	M10 X 25MM LONG SOCKET BUTTON HEAD STAINLESS STEEL SCREW	
10	204018	50MM CASTOR/GREY RUBBER TYRE	
11	219933	M6 X 35MM SOCKET BUTTON HEAD BOLT STAINLESS STEEL	
12	219647	M6 FORM G STAINLESS STEEL WASHER	
13	204068	3 INCH GREY WHEEL	
14	206953	DETENT PINS	
15	219853	M6 NYLOC HALF NUT (STAINLESS STEEL)	
16	303871	FLOOR TOOL LIFTING PLATE WELDED ASSEMBLY	