

**CV 38/2**  
**CV 48/2**  
**Service Manual**



## Contents

<b>1</b>	<b>Preface</b>	<b>3</b>
<b>2</b>	<b>Safety instructions</b>	<b>3</b>
<b>3</b>	<b>Technical Features</b>	<b>3</b>
<b>4</b>	<b>Parts of the system</b>	<b>4</b>
<b>5</b>	<b>Basic settings and service procedures</b>	<b>5</b>
<b>6</b>	<b>Maintenance and care</b>	<b>8</b>
<b>7</b>	<b>Troubleshooting</b>	<b>11</b>
<b>8</b>	<b>Technical specifications</b>	<b>13</b>
<b>9</b>	<b>Circuit diagram</b>	<b>14</b>

## 1 Preface

Good service work requires extensive and practice-oriented training as well as well-structured training materials.

Hence we offer regular basic and advanced training programmes covering the entire product range for all service engineers.

In addition to this, we also prepare service manuals for important appliances - these can be initially used as instruction guides and later on as reference guides.

Apart from this, we also regular information about product enhancements and their servicing.

If you should require supplements, have corrections or questions regarding this document, please address these citing the following subject to:

*international-service@de.kaercher.com*

Subject:	<b>Fall 108579</b>
----------	--------------------

The responsible product specialist will take care of your issue.

**Copying and duplication of texts and diagrams as well as third-party access to this information is permitted only with the explicit permission of the company:**

**Alfred Kärcher GmbH & Co. KG**

**P O Box 160**

**D - 71349 Winnenden**

**www.kaercher.com**

## 2 Safety instructions

### 2.1 Hazard levels

#### **⚠ Danger**

*Immediate danger that can cause severe injury or even death.*

#### **⚠ Warning**

*Possible hazardous situation that could lead to severe injury or even death.*

#### **Caution**

*Possible hazardous situation that could lead to mild injury to persons or damage to property.*

## 3 Technical Features

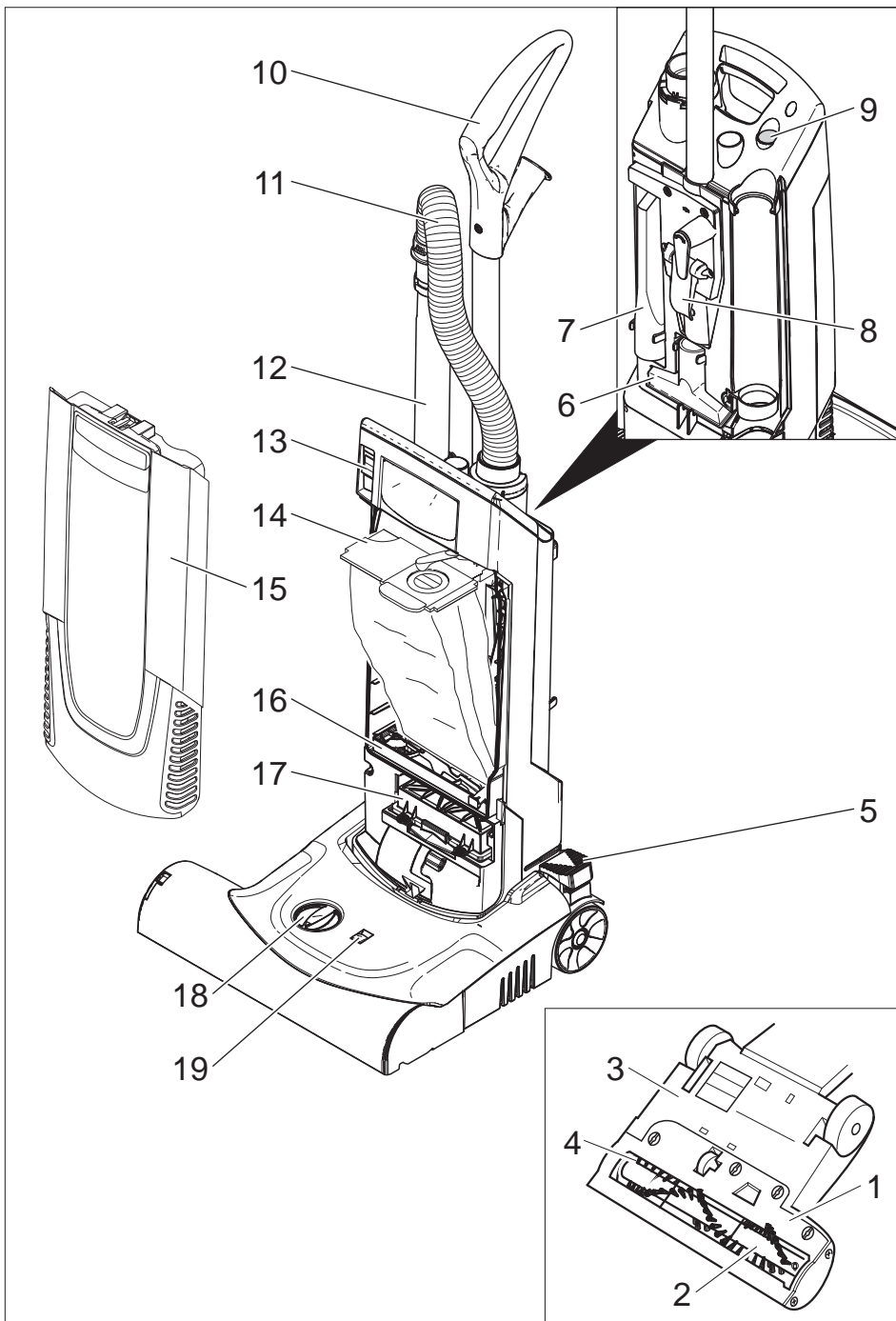
### **Structure:**

- Two-motoric brush vacuum
- Height adjustable handle
- The height of the brush head can be adjusted to match the pile height of the carpet (with indicator lamp).
- 3-fold filter: Dust filter (fleece filter), motor protection filter, exhaust filter
- Filter filling display
- CV 38/2: Working width 335 mm (13.2 in.)
- CV 48/2: Working width 430 mm (16.9 in.)

### **Drive:**

- Suction turbine (blower motor)
- The second motor drives the brush roller by means of a toothed gear (brush motor).

## 4 Parts of the system



- |    |  |    |  |
|----|--|----|--|
| 1  | Brush cover                                | 18 | Pile height adjustment knob<br>(Standard series in position 2) |
| 2  | Brush                                      | 19 | Indicator lamp - Electronic brush control (orange)             |
| 3  | Brush head                                 |    |  |
| 4  | Indicator bundle<br>(CV 38/2 only)         |    |  |
| 5  | Unlocking brushg head                      |    |  |
| 6  | Upholstery nozzle                          |    |  |
| 7  | Crevice nozzle                             |    |  |
| 8  | Handle adjustment                          |    |  |
| 9  | Indicator lamp on the filter housing (red) |    |  |
| 10 | Handle                                     |    |  |
| 11 | Suction hose                               |    |  |
| 12 | Suction pipe                               |    |  |
| 13 | Power switch                               |    |  |
| 14 | Filter bag                                 |    |  |
| 15 | Filter cover                               |    |  |
| 16 | Motor filter                               |    |  |
| 17 | Blower filter                              |    |  |

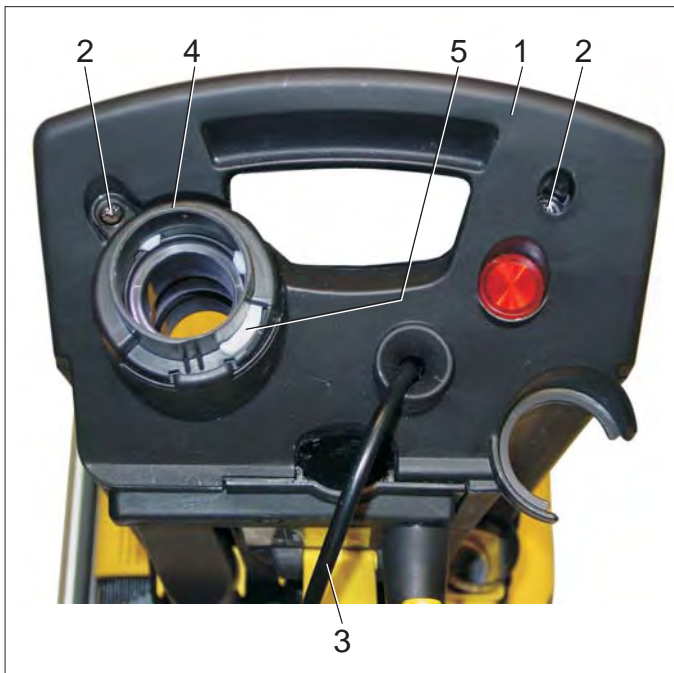
## 5 Basic settings and service procedures

### 5.1 Replace the cable hook or the handle adjustment



- 1 Fastening screws for rear cover
  - 2 Cable hook
  - 3 Handle adjustment
  - 4 Rear cover
- ➔ Unscrew locking screws.
  - ➔ Remove rear cover.
  - ➔ Replace the cable hook or the handle adjustment.
  - ➔ Install the new cable hook or a new handle adjustment in reverse sequence.

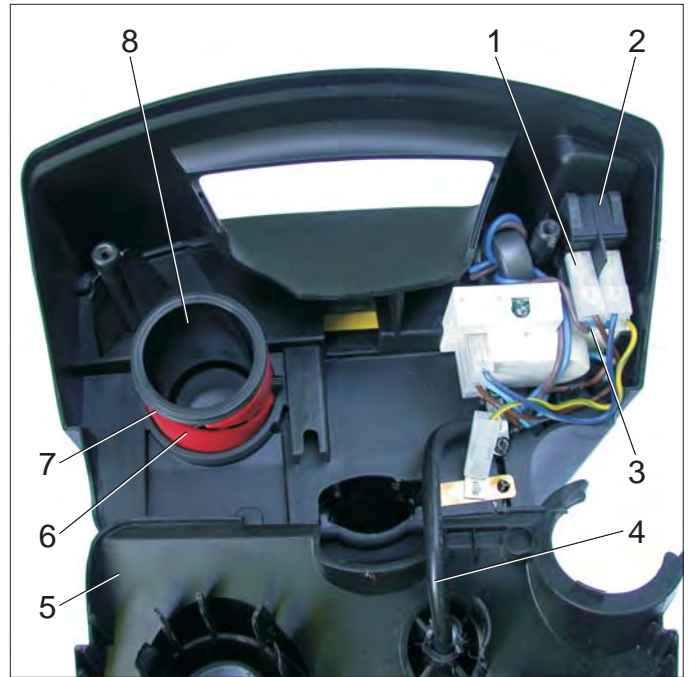
### 5.2 Remove top cover.



- 1 Top cover
  - 2 Fastening screws for top cover
  - 3 Power cord
  - 4 Suction hose connection
  - 5 Safety ring
- ➔ Unscrew locking screws.

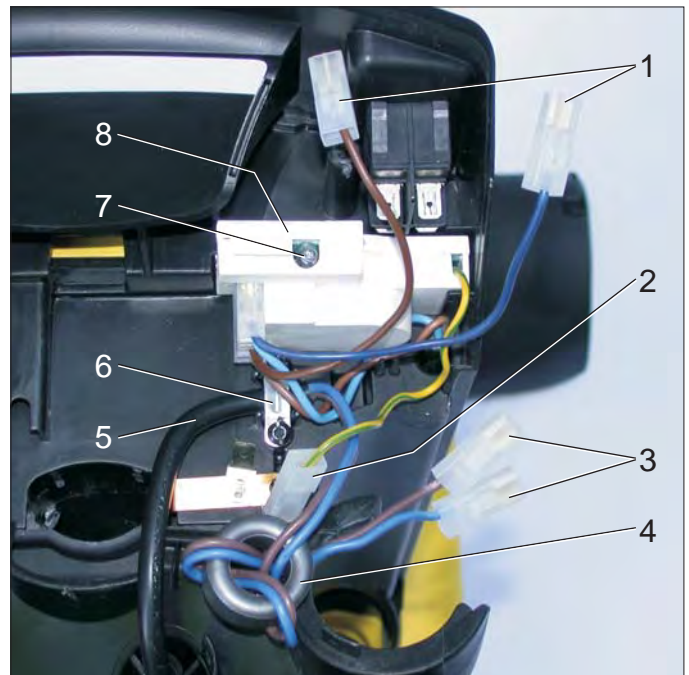
➔ Remove top cover.

### 5.3 Replace washer ring



- 1 Connection plug of the mains cable
  - 2 Power switch
  - 3 Connection plug of the circuit board
  - 4 Power cord
  - 5 Top cover
  - 6 Ring
  - 7 Washer ring
  - 8 Suction hose connection neck
- ➔ Remove washer ring.
  - ➔ Insert new washer ring.

### 5.4 Replacing the mains cable



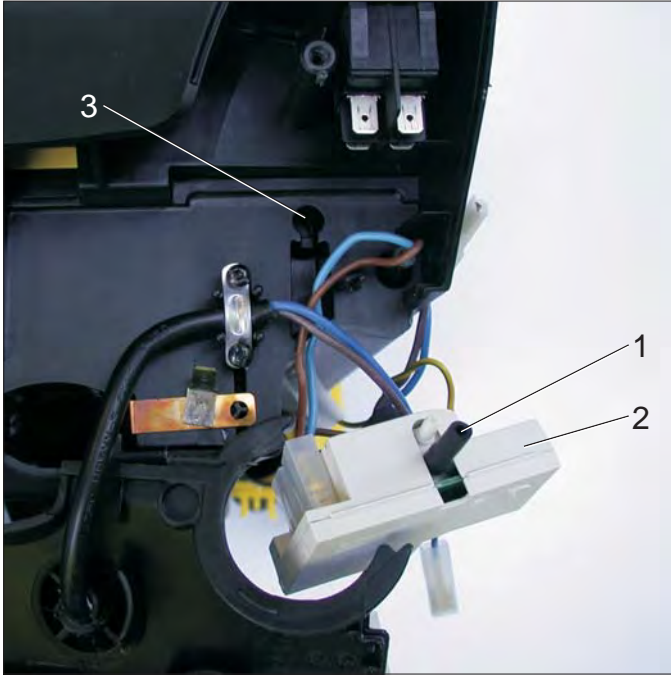
- 1 Connection plug of the circuit board
- 2 Connection plug of the earth cable (protective conductor)
- 3 Connection plug of the mains cable
- 4 Ferrit ring (anti-interference ring)
- 5 Power cord
- 6 Clamp for mains cable
- 7 Indicator lamp

8 Circuit board with casing

- Pull the connection plug of the mains cable off the appliance switch (top).
- Remove the clamp.
- Remove the mains cable from the cable guide.
- Install the new mains cable in reverse sequence.

### 5.5 Replace the circuit board

The low pressure sensor on the printed circuit board measures the vacuum in the suction system. With rising vacuum pressure (filter bag is full), the indicator lamp glows. If the circuit board is defective, it must be replaced including the casing.

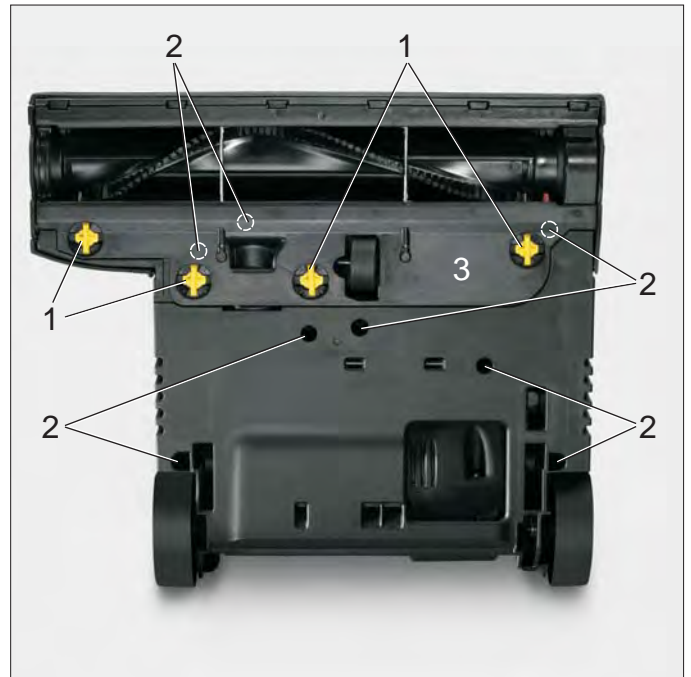


- 1 Vacuum hose of the circuit board
- 2 Circuit board with casing
- 3 Connection for vacuum hose

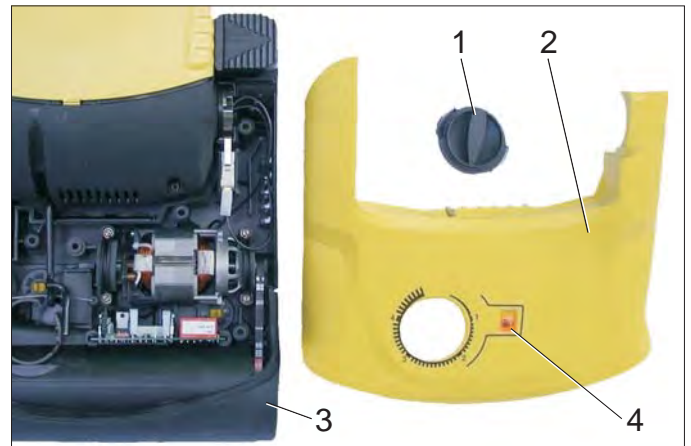
- Pull the connection plug of the circuit board off the appliance switch (bottom).
- Remove the connection plug of the earth cable (protective conductor)
- Remove the circuit board.
- Install the new circuit board in reverse sequence.

**Note:** When installing the circuit board with casing, make sure that the vacuum hose is properly connected to the connection.

### 5.6 Removing the brush head cover

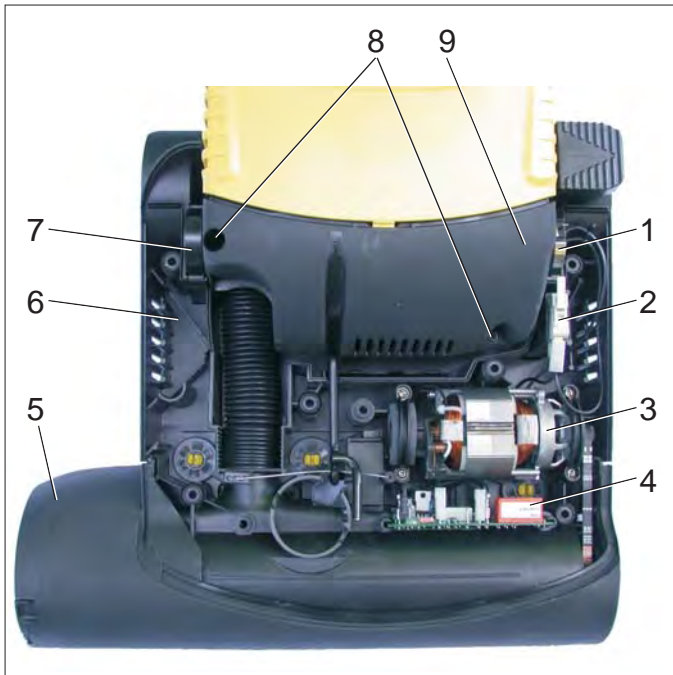


- 1 Lock the journal for the slide plate
- 2 Fastening screws for brush head cover
- 3 Slide plate
- Turn the lock journal by 90° in anti-clock-wise direction.
- Fold the slide plate up and remove it.
- Unscrew locking screws.

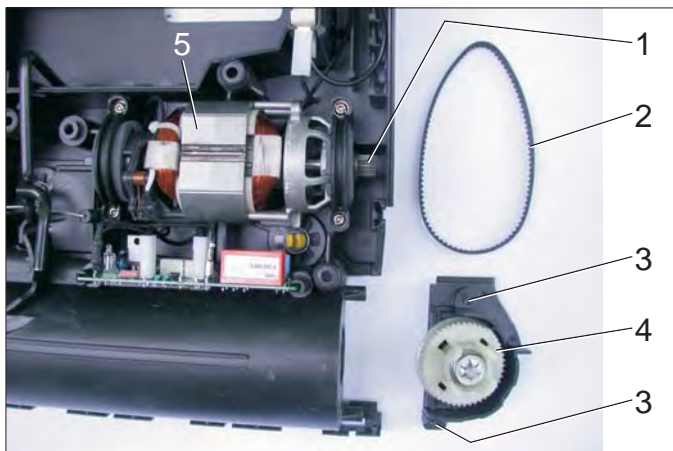


- 1 Pile height adjustment knob
- 2 Brush head cover
- 3 Brush head
- 4 Indicator lamp - Electronic brush control (orange)
- Remove the pile height adjustment knob
- Remove the brush head cover.

## 5.7 Replace the brush motor

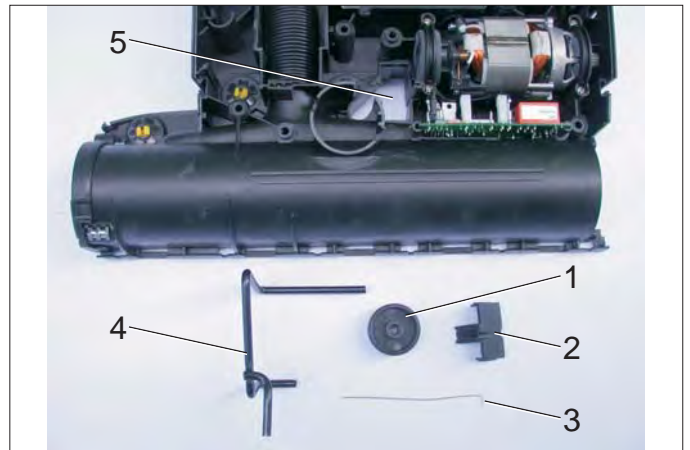


- 1 Switch cam
- 2 Brush motor switch
- 3 Brush motor
- 4 Brush motor electronics
- 5 Safety bumper
- 6 Brush head casing
- 7 Bearing bowl incl. spring clamp
- 8 Fastening screws of the casing top
- 9 Housing top



- 1 Drive pinions of the brush motor
  - 2 Drive belt
  - 3 Fastening screws of the drive bearing
  - 4 Drive bearing of the brush
  - 5 Brush motor
- Unscrew locking screws.
  - Pull out the drive bearing.
  - Remove the drive belt.
  - Remove the brush motor.
  - Install the new brush motor in reverse sequence.
  - As required: Clean the inside of the indicator lamp cover (orange) of the brush head cover of carbon brush residue.

## 5.8 Pile height adjustment

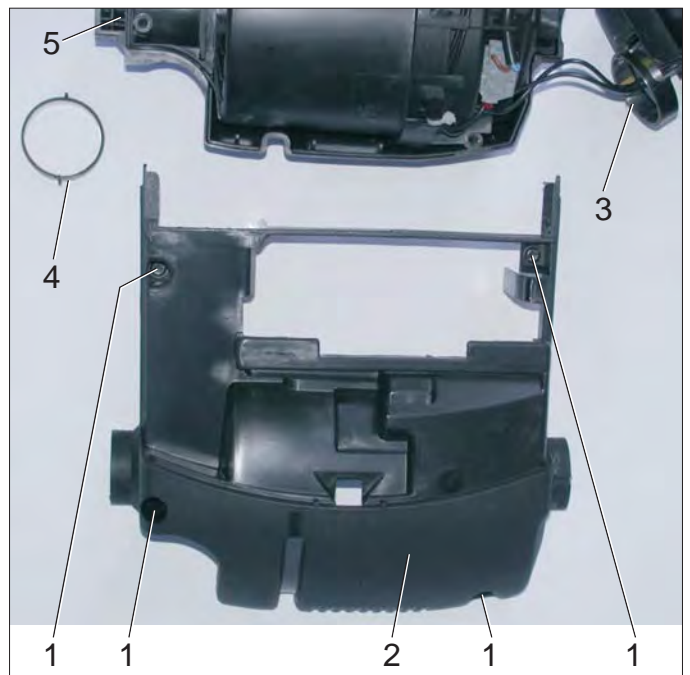


- 1 Impeller
- 2 Impeller cover
- 3 Steel spring
- 4 Metal clip
- 5 Opening of impeller

## 5.9 Replacing the suction turbine

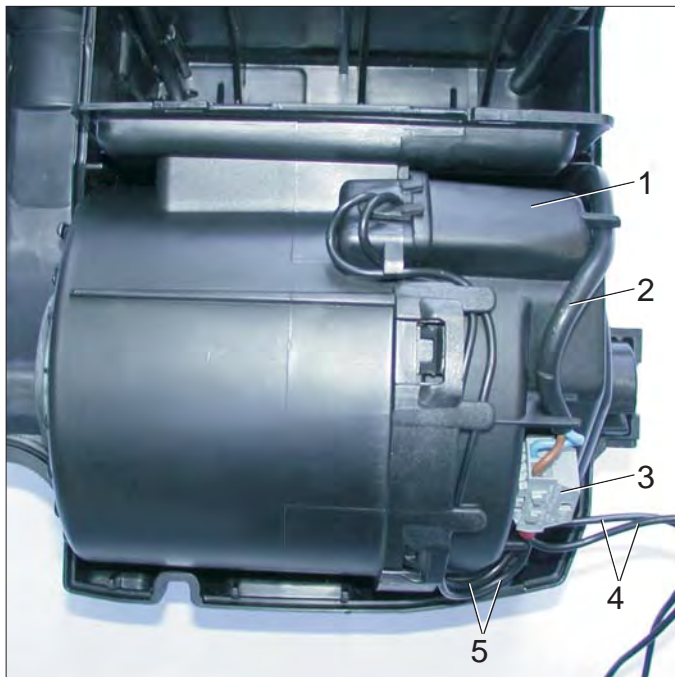
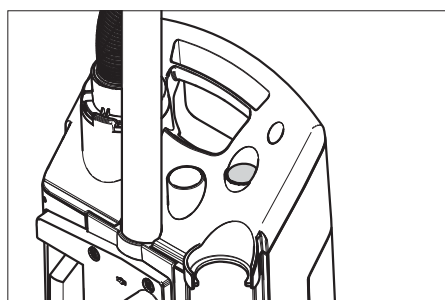
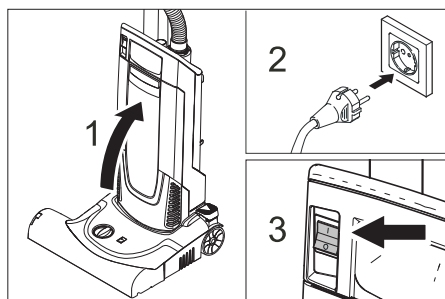
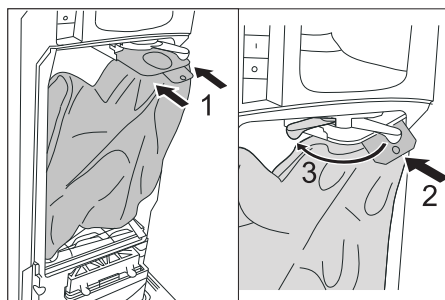
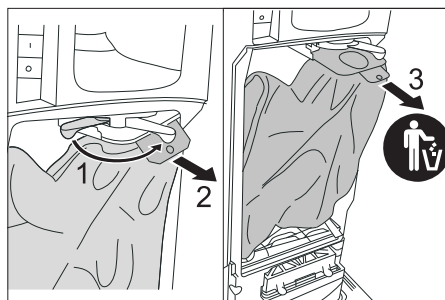
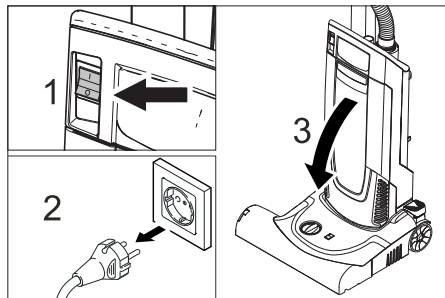
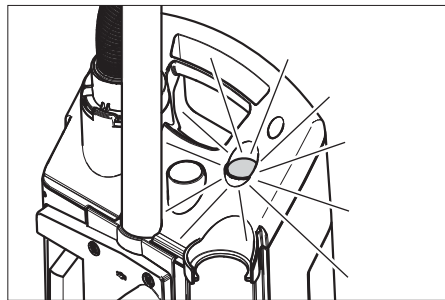


- 1 Filter cover
  - 2 Bearing locations
  - 3 Filter casing
- Lift up the complete filter casing and remove it from the bearing locations.
  - Remove the filter cover.



## 6 Maintenance and care

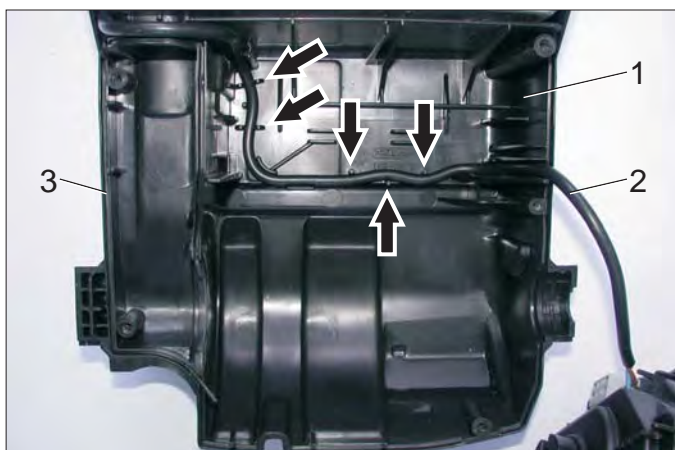
- 1 Fastening screws of the casing top
  - 2 Housing top
  - 3 Bearing bowl incl. spring clamp and switch cams
  - 4 Bearing bowl incl. spring clamp
- Pull the bearing bowls off to the side.
  - Unscrew locking screws.
  - Remove the top part of the casing.



- 1 Suction turbine
  - 2 Power cord
  - 3 Terminal strip of the suction turbine
  - 4 Connection cable to the brush head
  - 5 Connection cable of the suction turbine
- Remove the suction turbine.
  - Pull the connecting cable of the suction turbine out of the terminal strip.
  - Install the new suction turbine in reverse sequence.

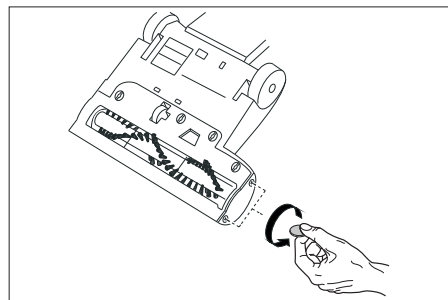
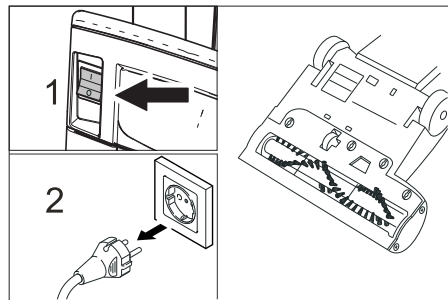
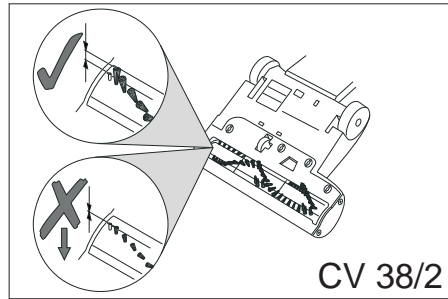
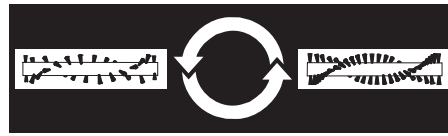
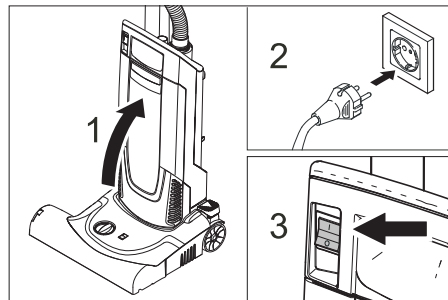
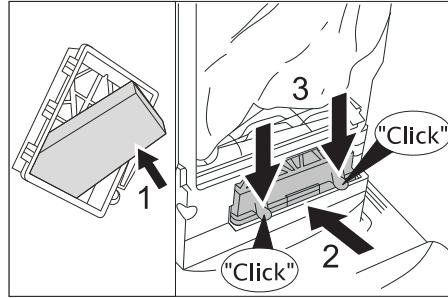
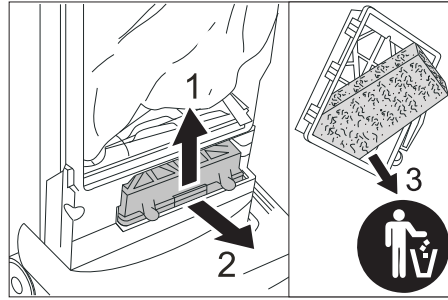
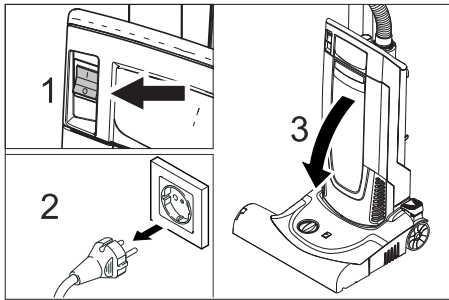
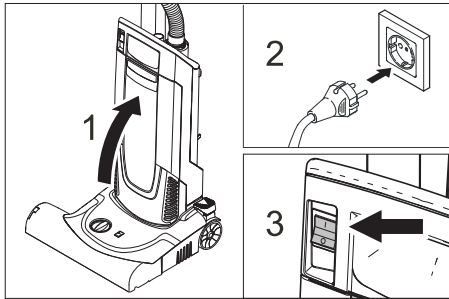
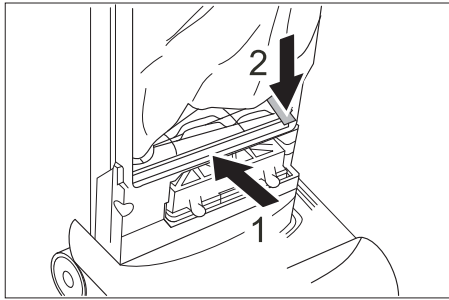
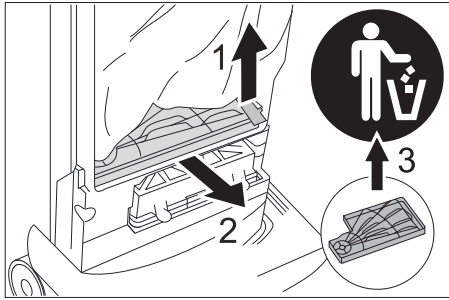
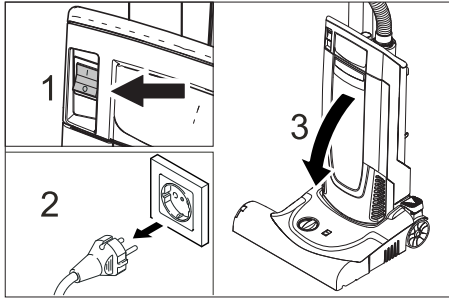
**Note:** The mains cable must be routed as shown in the illustration within the respective pins (see arrows).

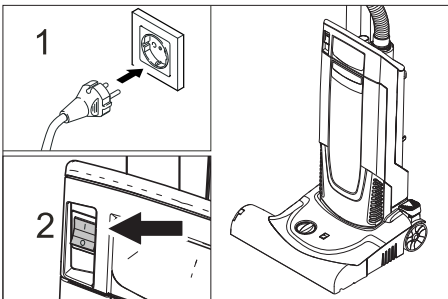
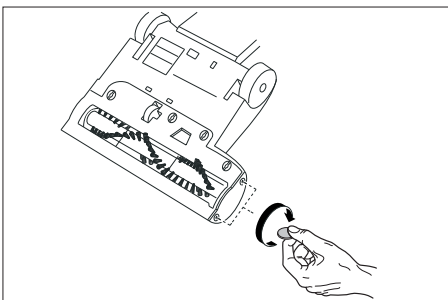
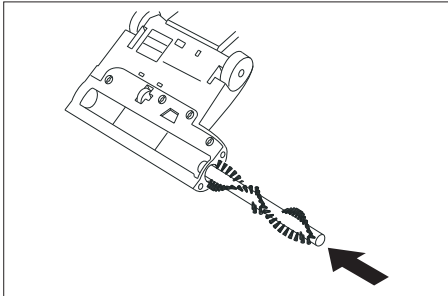
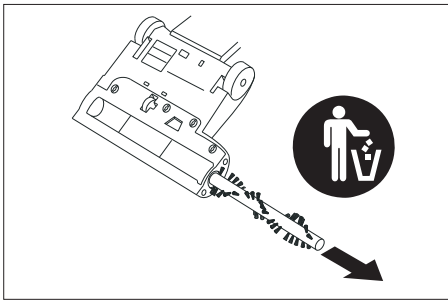
### 5.10 Replace seal



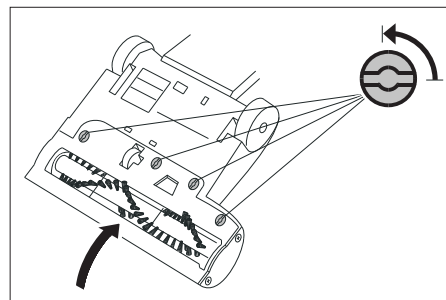
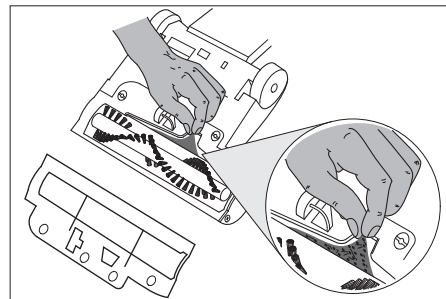
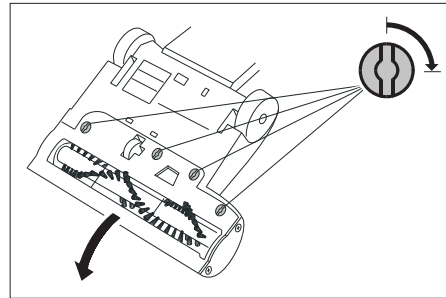
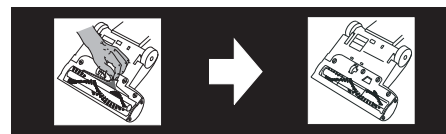
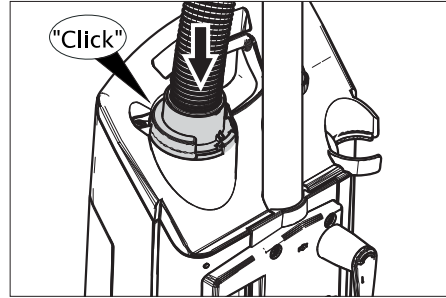
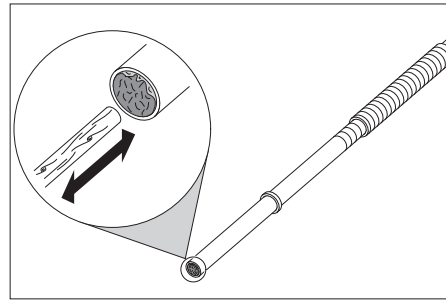
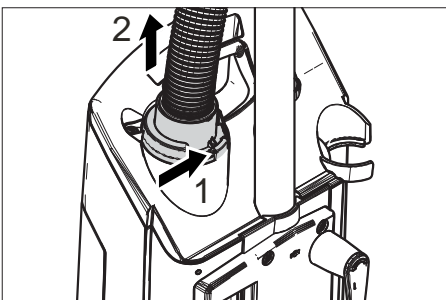
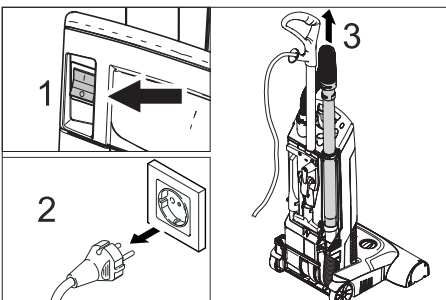
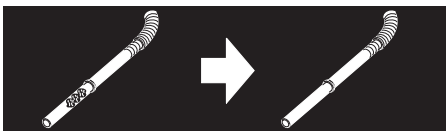
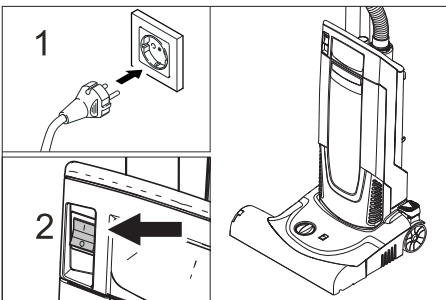
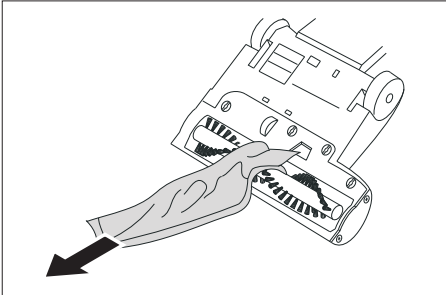
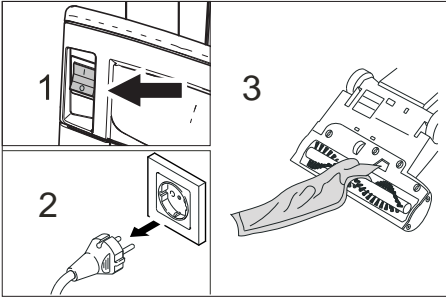
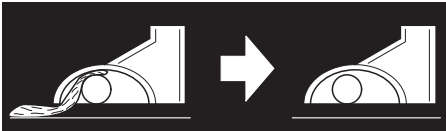
- 1 Casing bottom
  - 2 Power cord
  - 3 Seal
- Remove the seal.
  - Insert new seal.
- Note:** The seal must be placed precisely into the guide groove of the casing bottom to protect the suction turbine from contamination.

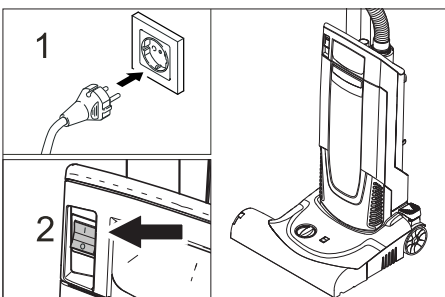
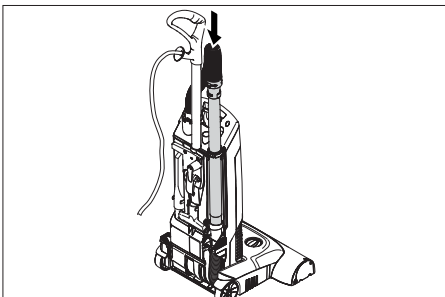
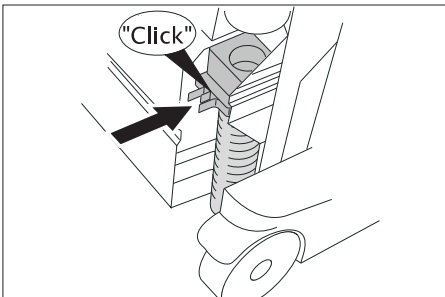
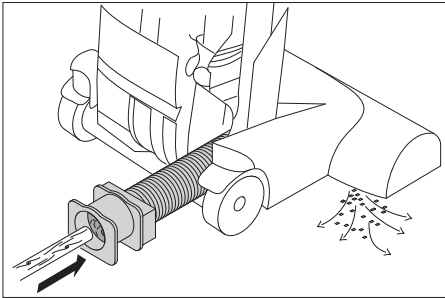
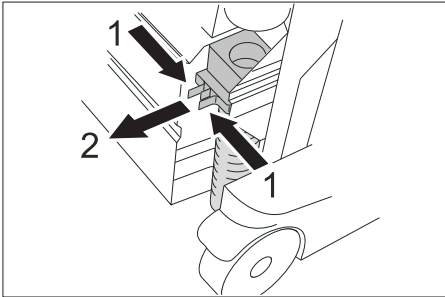
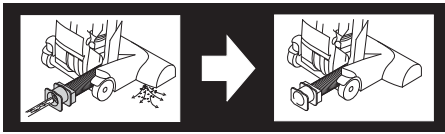






## 7 Troubleshooting





### 7.1 Motor does not run

- No electrical voltage.
- Check cables, plugs, fuse, and socket.
- Thermostat switched off the motor because of overheating
- Pull mains plug, replace blocked filters, or remove blockage from the suction hose.

The unit is operational again after it has cooled down.

### 7.2 Unsatisfying suction result

- Check the brush for blocking objects.
- Remove obstructions from brush head, suction pipe and suction hose.
- Replace the filter bag.
- Replace blower filter and motor protection filter.
- Check the pile height adjustment knob for correct adjustment.
- CV 38/2 only: The brush must be replaced when it is worn out. The degree of wear is shown by a comparison with the indicator bundle of a different colour. The brush must be replaced when the black bristles are at the same level as the red ones.

### 7.3 The red indicator lamp on the filter housing is ON

- Remove obstructions from brush head, suction pipe and suction hose.
- Replace the filter bag.

### 7.4 The orange indicator lamp - Electronic brush control is ON

- Set the adjustment knob for pile height to the lower pile height.

### 7.5 The orange indicator lamp - Electronic brush control is also ON at lowest level

- Replace brush.

## 8 Technical specifications

Appliance type	Appliance no.:	Circuit diagram	Operating instructions	Spare parts list
CV38/2 EU, 220-240 V, 1~ 50/60 Hz	1.033-315.0	0.089-192.0	5.962-949.0	5.970-967.0
CV 38/2 GB, 220-240 V, 1~ 50/60 Hz	1.033-316.0	0.089-192.0	5.962-949.0	5.970-967.0
CV 38/2 AU, 240 V, 1~ 50/60 Hz	1.033-317.0	0.089-192.0	5.962-949.0	5.970-967.0
CV 38/2 USA, 120 V, 1~ 60 Hz	1.033-318.0	0.089-205.0	5.963-274.0	5.971-026.0
CV 48/2 EU, 220-240 V, 1~ 50/60 Hz	1.057-310.0	0.089-192.0	5.962-949.0	5.970-967.0
CV 48/2 GB, 220-240 V, 1~ 50/60 Hz	1.057-311.0	0.089-192.0	5.962-949.0	5.970-967.0
CV 48/2 AU, 240 V, 1~ 50/60 Hz	1.057-312.0	0.089-192.0	5.962-949.0	5.970-967.0
CV 48/2 USA, 120 V, 1~ 60 Hz	1.057-313.0	0.089-205.0	5.963-274.0	5.971-026.0

The technical specification sheet and the circuit diagram will be included in the next version of the spare parts CD (DISIS) and in the Intranet.

- Technical specification sheet:  
Folder "Central / Service Info Int'l / Technical Specifications"
- Circuit diagram:  
Folder "Central / Service Info Int'l / Circuit Diagram"

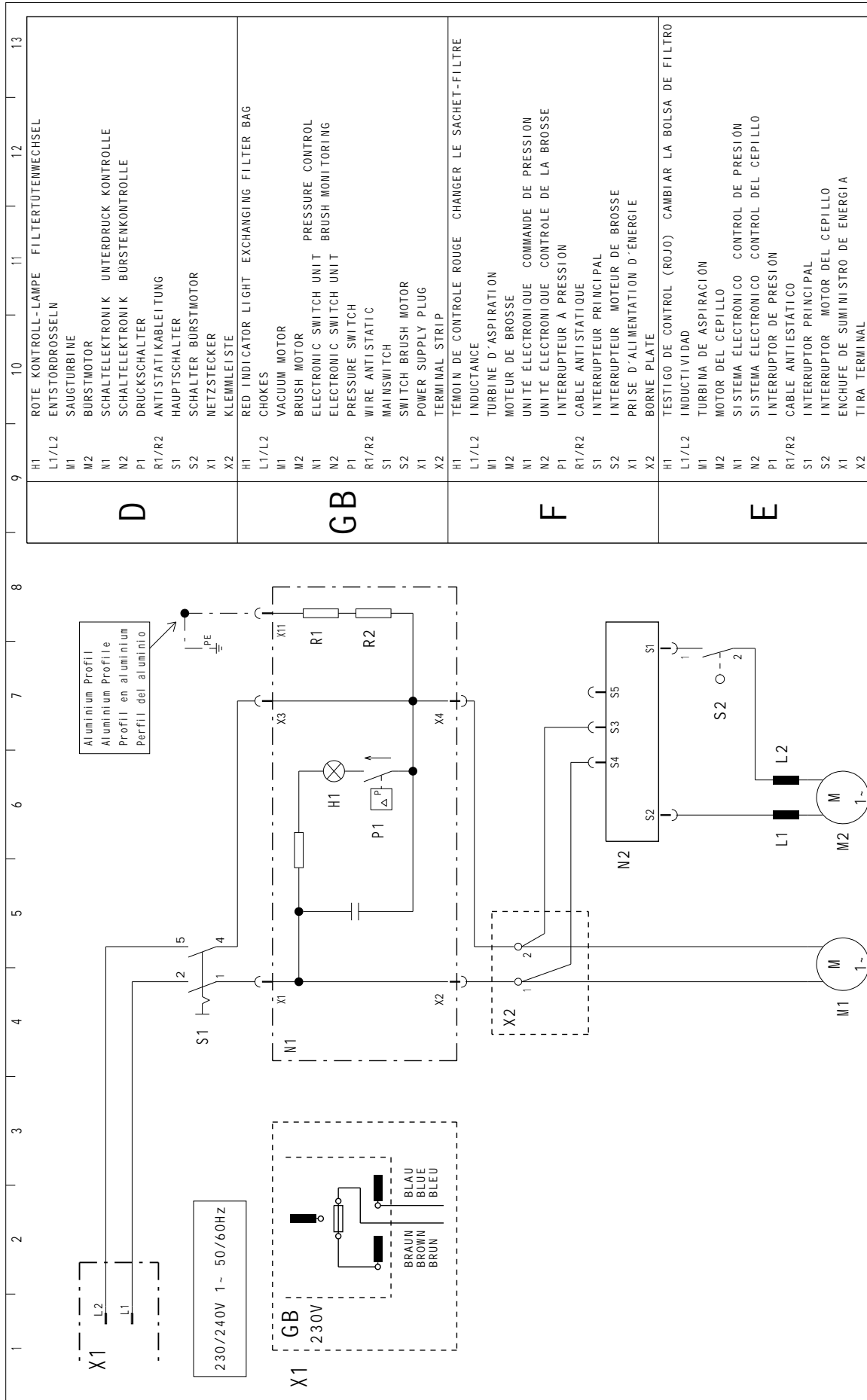
The operating instructions and the spare parts list can be requested in paper form with the respective part numbers from our spare parts service department.

### 8.1 Special tools

There are no special tools necessary.

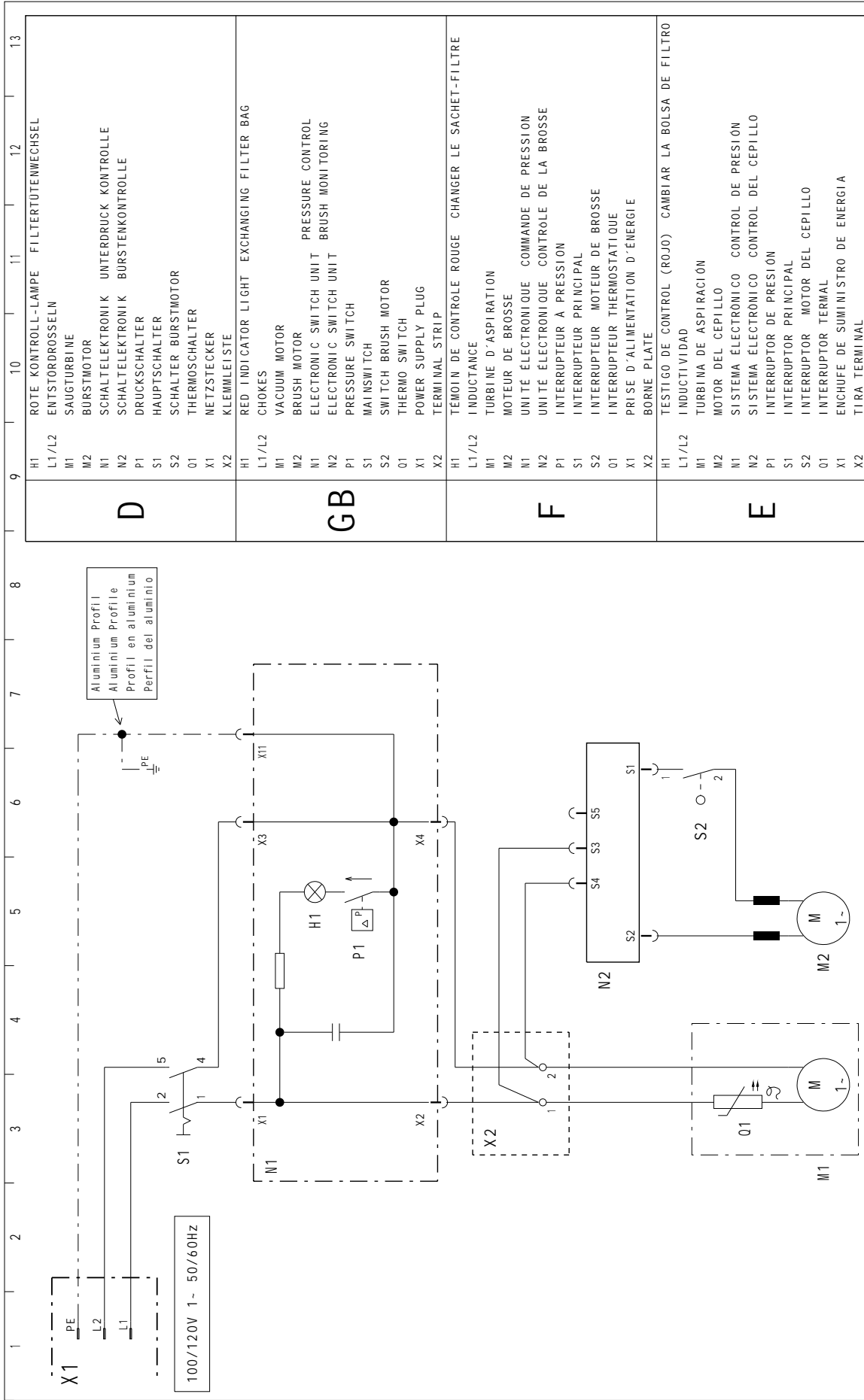
### 8.2 Tightening torques

No data.



9	10	11	12	13
<b>D</b>	<b>GB</b>	<b>F</b>	<b>E</b>	
H1 ROTE KONTROLL-LAMPE L1/L2 ENTSTOROSSSELN M1 SAUGTURBINE M2 BURSTMOTOR N1 SCHALTELEKTRONIK UNTERDRUCK KONTROLLE N2 SCHALTELEKTRONIK BURSTENKONTROLLE P1 DRUCKSCHALTER R1/R2 ANTI STATIKABLEITUNG S1 HAUPTSCHALTER S2 SCHALTER BURSTMOTOR X1 NETZSTECKER X2 KLEMMLEISTE	H1 RED INDICATOR LIGHT L1/L2 EXCHANGING FILTER BAG M1 CHOKES M2 VACUUM MOTOR N1 BRUSH MOTOR N2 ELECTRONIC SWITCH UNIT P1 ELECTRONIC SWITCH UNIT R1/R2 PRESSURE SWITCH S1 WIRE ANTI-STATIC S2 MAINSWITCH X1 SWITCH BRUSH MOTOR X2 POWER SUPPLY PLUG TERMINAL STRIP	H1 TMOIN DE CONTROL ROUGE L1/L2 INDUCTANCE M1 TURBINE D'ASPIRATION M2 MOTEUR DE BROSE N1 UNITE ELECTRONIQUE N2 COMMANDE DE PRESSION P1 UNITE ELECTRONIQUE R1/R2 CONTROL DE LA BROSE S1 INTERRUPTEUR A PRESSION S2 CABLE ANTI-STATIQUE X1 INTERRUPTEUR PRINCIPAL X2 MOTEUR DE BROSE PRISE D'ALIMENTATION D'ENERGIE	H1 TESTIGO DE CONTROL (ROJO) L1/L2 CAMBIAR LA BOLSA DE FILTRO M1 INDUCTIVIDAD M2 TURBINA DE ASPIRACION N1 MOTOR DEL CEPILLO N2 SISTEMA ELECTRONICO P1 CONTROL DE PRESSION R1/R2 INTERRUPTOR DE PRESSION S1 CABLE ANTIESTATICO S2 INTERRUPTOR PRINCIPAL X1 MOTOR DEL CEPILLO X2 ENCHUFE DE SUMINISTRO DE ENERGIA TIRA TERMINAL	

		<b>Winrenden</b>		ZEICHNUNGS-NR. drawing-no. 0...089-192.0 Dessin No.	
BENEHMUNG identification plan de circuit		ANLAGE = REZ plant design		BLATT page 1 page tot. 1 page tot. 1	
ANLAGE = SLP plant instal.		ORT + S location lieu		ANFRAG order no.	
Dok-Nr. doc-no. 5190952		Dok-Vers. doc-vers. 00		Dokument document SLP	
ERS F. exch. of repl.		AND./FR. changer/rel. changer/rel. 2018352		ANZ. no. 0	
GEPR. check stand. 0		NORM stand. SMD-W		ANZ. no. 0	
Datum date 18.02.09		GEPR. check stand. 0		ANZ. no. 0	
File: CV382_CV482_EU					



9	10	11	12	13
H1 L1/L2 M1 M2 N1 N2 P1 S1 S2 O1 X1 X2	ROTE KONTROLL-LAMPE ENTSTORROSSSELN SAUGTURBINE BURSTMOTOR SCHALTELEKTRONIK SCHALTELEKTRONIK DRUCKSCHALTER HAUPTSCHALTER SCHALTER BURSTMOTOR THERMOSCHALTER NETZSTECKER KLEMMLEISTE	FILTERTÜTENWECHSEL		
<b>D</b>				
H1 L1/L2 M1 M2 N1 N2 P1 S1 S2 O1 X1 X2	RED INDICATOR LIGHT CHOKES VACUUM MOTOR BRUSH MOTOR ELECTRONIC SWITCH UNIT ELECTRONIC SWITCH UNIT PRESSURE SWITCH MAINSWITCH SWITCH BRUSH MOTOR THERMO SWITCH POWER SUPPLY PLUG TERMINAL STRIP	EXCHANGING FILTER BAG PRESSURE CONTROL BRUSH MONITORING		
<b>GB</b>				
H1 L1/L2 M1 M2 N1 N2 P1 S1 S2 O1 X1 X2	TÉMOIN DE CONTRÔLE ROUGE INDUCTANCE TURBINE D'ASPIRATION MOTEUR DE BROUSSE UNITÉ ÉLECTRONIQUE UNITÉ ÉLECTRONIQUE INTERRUPTEUR À PRESSION INTERRUPTEUR PRINCIPAL INTERRUPTEUR MOTEUR DE BROUSSE INTERRUPTEUR THERMOSTATIQUE PRISE D'ALIMENTATION D'ÉNERGIE BORNE PLATE	CHANGER LE SACHET-FILTRE COMMANDE DE PRESSION BRUSH MONITORING		
<b>F</b>				
H1 L1/L2 M1 M2 N1 N2 P1 S1 S2 O1 X1 X2	TESTIGO DE CONTROL (ROJO) INDUCTIVIDAD TURBINA DE ASPIRACION MOTOR DEL CEPILLO SISTEMA ELECTRONICO SISTEMA ELECTRONICO INTERRUPTOR PRINCIPAL INTERRUPTOR MOTOR DEL CEPILLO INTERRUPTOR TERMAL ENCHUFE DE SUMINISTRO DE ENERGIA TIRA TERMINAL	CAMBIAR LA BOLSA DE FILTRO CONTROL DE PRESION CONTROL DEL CEPILLO		
<b>E</b>				

Datum date	18.02.09	GEZ. draft	GEPR. check	NORM stand.	A-IND. ch-ind	ANZ. no.	ÄND./FR. change/rel.	ERS.F. exch. of repl.	Dok-Nr. doc-no.	5194512	Dok-Vers. doc-vers.	00	ANLAGE = SLP plant instalat.	ORT + S location	WIEN	BEZEICHNUNG identification	Stromlaufplan circuit diagram	ZEICHNUNGS-NR. drawing-no.	0.089-205
File: CV382_CV482_US		ura	fma	SMD-W	0	0	2021889		5194512	00			AUFTRAG order no.			ANLAG.-BEZ. plant desig.	CV382/2	US	0.089-205
																BLATT page	1	BLATT page tot.	1
																denomin.	CV482/2	US	1