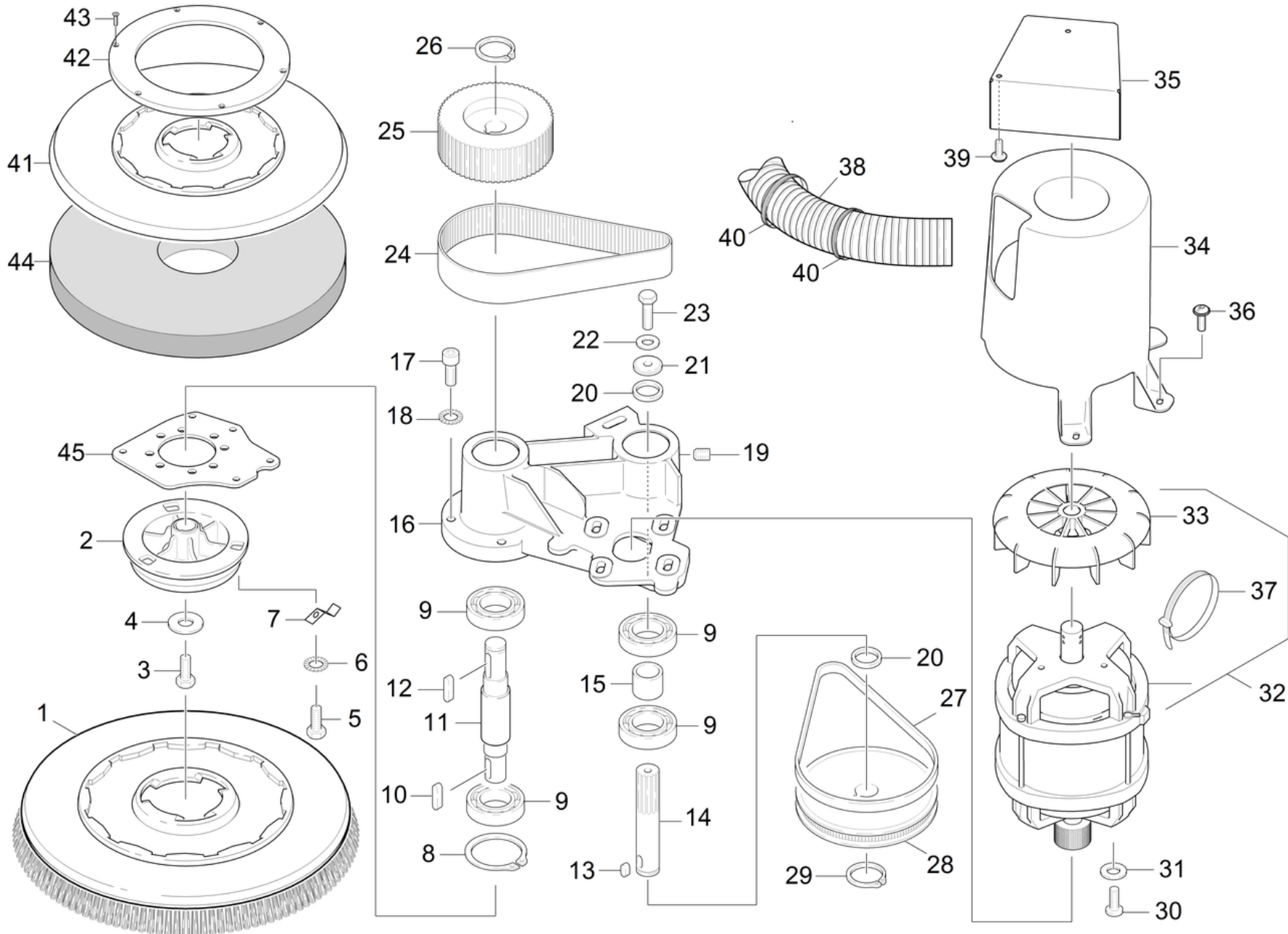


52 Brush-head BD "Ep"

Professional \ Floor cleaner \ Walk behind \ BD 40/25 C Bp *EU \ Spare parts list BR/BD 40/25 C \ Brush-head \ Brush-head BD "Ep"



52 Brush-head BD "Ep"

Professional \ Floor cleaner \ Walk behind \ BD 40/25 C Bp *EU \ Spare parts list BR/BD 40/25 C \ Brush-head \ Brush-head BD "Ep"

KÄRCHER

POS	Article no.	Description	Quantity	Unit	Foot note text
34	5.692-078.0	Air circulation	1.000	ST	
9	7.401-173.0	Ball bearing 6204-2RS-WAELZLAGST DIN 625	4.000	ST	
33	6.612-764.0	Blower wheel	1.000	ST	
20	5.112-616.0	Bush	2.000	ST	
15	5.112-619.0	Bush for belt drive	1.000	ST	
40	6.647-081.0	Cable tape	2.000	ST	
37	6.649-025.0	Cable tie 3,6x140	1.000	ST	
44	6.371-236.0	Diamond pad green set 5x Ø381	1.000	ST	GRUEN
44	6.371-252.0	Diamond pad white set 5x Ø381	1.000	ST	BRAUN
44	6.371-252.0	Diamond pad white set 5x Ø381	1.000	ST	WEISS
44	6.371-253.0	Diamond pad yellow set 5x Ø381	1.000	ST	VIOLETT
44	6.371-253.0	Diamond pad yellow set 5x Ø381	1.000	ST	GELB
1	6.907-152.0	Disc brush black	1.000	ST	
1	6.907-160.0	Disc brush multicoloured	1.000	ST	
1	6.907-153.0	Disc brush nature	1.000	ST	
1	6.907-151.0	Disc brush red	1.000	ST	
1	6.907-154.0	Disc brush white	1.000	ST	
41	6.906-493.0	Disk pad	1.000	ST	
2	4.122-140.0	Flange complete	1.000	ST	
21	5.115-913.0	Flanged pulley	1.000	ST	
3	6.304-176.0	Hexagonal head screw M8x16-A4-70 ISO 401	1.000	ST	
16	5.044-897.0	Holder belt drive	1.000	ST	
38	6.391-461.0	Hose air circulation BD	1.000	ST	
26	7.343-018.0	Locking ring 18x1,2-Rf-St DIN 471	1.000	ST	
29	7.343-007.0	Locking ring 20x1,2-FST-RF DIN 471	1.000	ST	
8	7.343-115.0	Locking ring 47x1,75 -St-ph DIN 472	1.000	ST	
32	4.623-749.0	Motor replacement BD	1.000	ST	
	Item text1: /1.515-151/-152/-157/-159.0				
32	4.623-785.0	Motor replacement BD 40/25 Ep 120V	1.000	ST	
	Item text1: /1.515-153/-155.0				
13	7.318-004.0	Parallel key 6x6x12 -C45K DIN 6885-1	1.000	ST	
10	7.318-030.0	Parallel key 6x6x25 -C45K DIN 6885-1	1.000	ST	
12	7.318-031.0	Parallel key 6x6x28 -C45K DIN 6885-1	1.000	ST	

52 Brush-head BD "Ep"

Professional \ Floor cleaner \ Walk behind \ BD 40/25 C Bp *EU \ Spare parts list BR/BD 40/25 C \ Brush-head \ Brush-head BD "Ep"

KÄRCHER

POS	Article no.	Description	Quantity	Unit	Foot note text
35	5.008-885.0	Plate air circulation BD	1.000	ST	
	Item text1: /1.515-151/-157/-159.0				
35	5.008-958.0	Plate air circulation BD *USA	1.000	ST	
	Item text1: /1.515-155/-156.0				
45	5.008-854.0	Plate flange	1.000	ST	
7	5.337-033.0	Plate spring	3.000	ST	
42	5.114-543.0	Ring disk	1.000	ST	
39	7.303-107.0	Screw 5x16 -10.9-P2R (K-In6Rd)	2.000	ST	
36	7.303-108.0	Screw 5x20 -10.9-R2R (In6Rd)	3.000	ST	
	Item text1: /1.515-151/-157/-159.0				
36	7.303-111.0	Screw 5x50 -10.9-R2R (K-In6Rd)	3.000	ST	
	Item text1: /1.515-155/-156.0				
43	7.303-114.0	Screw 6 x 35-ST-10.9-R2R (IN6RD)	6.000	ST	
5	7.306-213.0	Screw M5x6 -A2-70 (In6Rd)	3.000	ST	
23	7.306-191.0	Screw M6x10 -A2-70 (In6Rd)	1.000	ST	
30	7.306-092.0	Screw M6x20-ST- 8.8-R3R (IN6RD)	4.000	ST	
17	7.303-068.0	Screw M8x20 -St-R3R (In6Rd)	4.000	ST	
6	7.312-041.0	Serrated lock washer A5,3-1.4310 DIN 67	3.000	ST	
18	7.312-022.0	Serrated lock washer A8,4-1.4310 DIN679	4.000	ST	
11	5.100-378.0	Shaft belt drive 1 BD 530	1.000	ST	
14	5.100-379.0	Shaft belt drive 2	1.000	ST	
19	7.307-301.0	Threaded pin M10X 12-A1-50 ISO 7435	1.000	ST	
27	6.348-383.0	Toothed belt HTD-447-3M-15 CXPIII	1.000	ST	
24	6.348-384.0	Toothed belt HTD-475-5M-40 CXPIII	1.000	ST	
25	5.625-402.0	Toothed lock washer 63Z	1.000	ST	
28	5.625-403.0	Toothed lock washer 125Z	1.000	ST	
22	7.312-003.0	Washer 6 -200HV-A3E ISO 7089	1.000	ST	
31	7.312-292.0	Washer 6 -A2 ISO 7093-1	4.000	ST	
4	7.312-268.0	Washer 8 -A2 ISO 7094	1.000	ST	