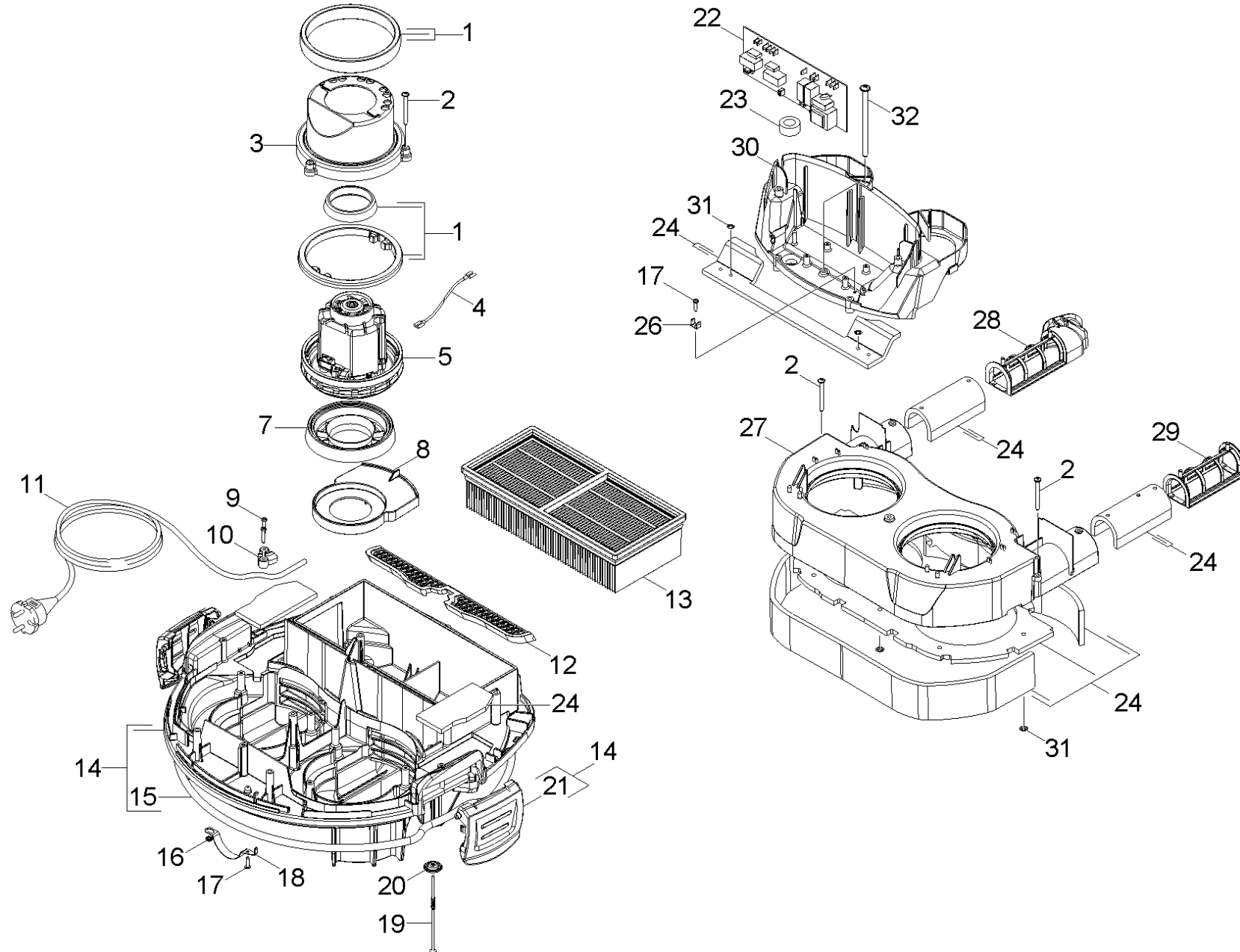


20 Vacuum motor

Professional \ Vacuum cleaner \ Wet-/dry vacuum cleaner \ NT 65/2 Tact² *EU \ Spare parts list NT 65/2 Tact² \ Vacuum motor



20 Vacuum motor

Professional \ Vacuum cleaner \ Wet-/dry vacuum cleaner \ NT 65/2 Tact² *EU \ Spare parts list NT 65/2 Tact² \ Vacuum motor



POS	Article no.	Description	Quantity	Unit
4	6.649-678.0	Cable turbine	4.000	ST
15	6.362-857.0	Cord cellular rubber D10	1.000	ST
10	5.033-553.0	Covering cap power cable	1.000	ST
22	6.682-980.0	Electronics	1.000	ST
23	6.346-043.0	Ferrite ring	1.000	ST
13	6.907-276.0	Flat-pleated filter cellulose packaged	1.000	ST
30	5.044-950.0	Holder electronics	1.000	ST
29	5.394-867.0	Holder insulating mat	1.000	ST
28	5.394-894.0	Holder insulating mat right	1.000	ST
27	5.605-353.0	Housing air circulation	1.000	ST
14	4.605-125.0	Housing base plate complete	1.000	ST
3	5.605-340.0	Housing turbine	2.000	ST
8	5.401-322.0	Insert housing base plate	2.000	ST
24	2.286-003.0	Insulating mat air circulation Set	1.000	ST
21	5.033-434.0	Locking clip	2.000	ST
16	6.343-139.0	Lock washer	1.000	ST
31	6.343-145.0	Lock washer 5	6.000	ST
11	6.649-915.0	Power cable 10m *EU	1.000	ST
19	5.107-287.0	Probe	2.000	ST
17	7.303-129.0	Screw 4x16 -10.9-R2R (K-In6Rd)	2.000	ST
9	7.303-096.0	Screw 4x22 -ST-10.9-R2R (IN6RD)	2.000	ST
2	7.303-085.0	Screw 4x 35 -10.9-R2R (K-In6Rd)	8.000	ST
32	7.303-171.0	Screw 5x80 -10.9-R2R (K-In6Rd)	2.000	ST
7	5.195-290.0	seal motor	2.000	ST
12	5.363-729.0	Seal supply air	1.000	ST
1	2.363-001.0	Seal turbine Set	2.000	ST
18	5.332-471.0	Spring electrically conducting	1.000	ST
26	6.649-914.0	Tab	1.000	ST
5	6.490-245.0	Vac motor 230V	2.000	ST
20	6.312-130.0	Washer	2.000	ST