

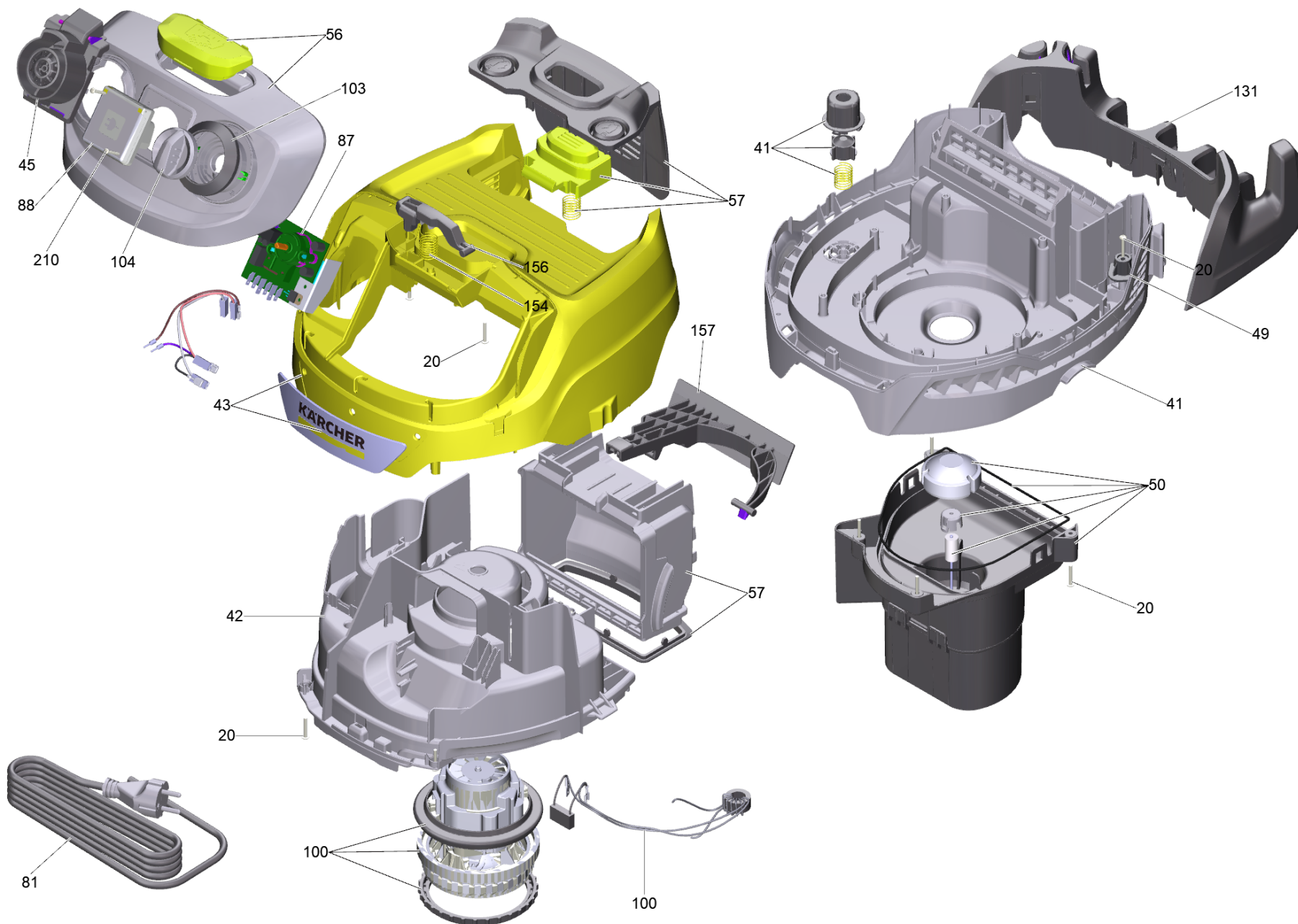
## **Spare parts list**

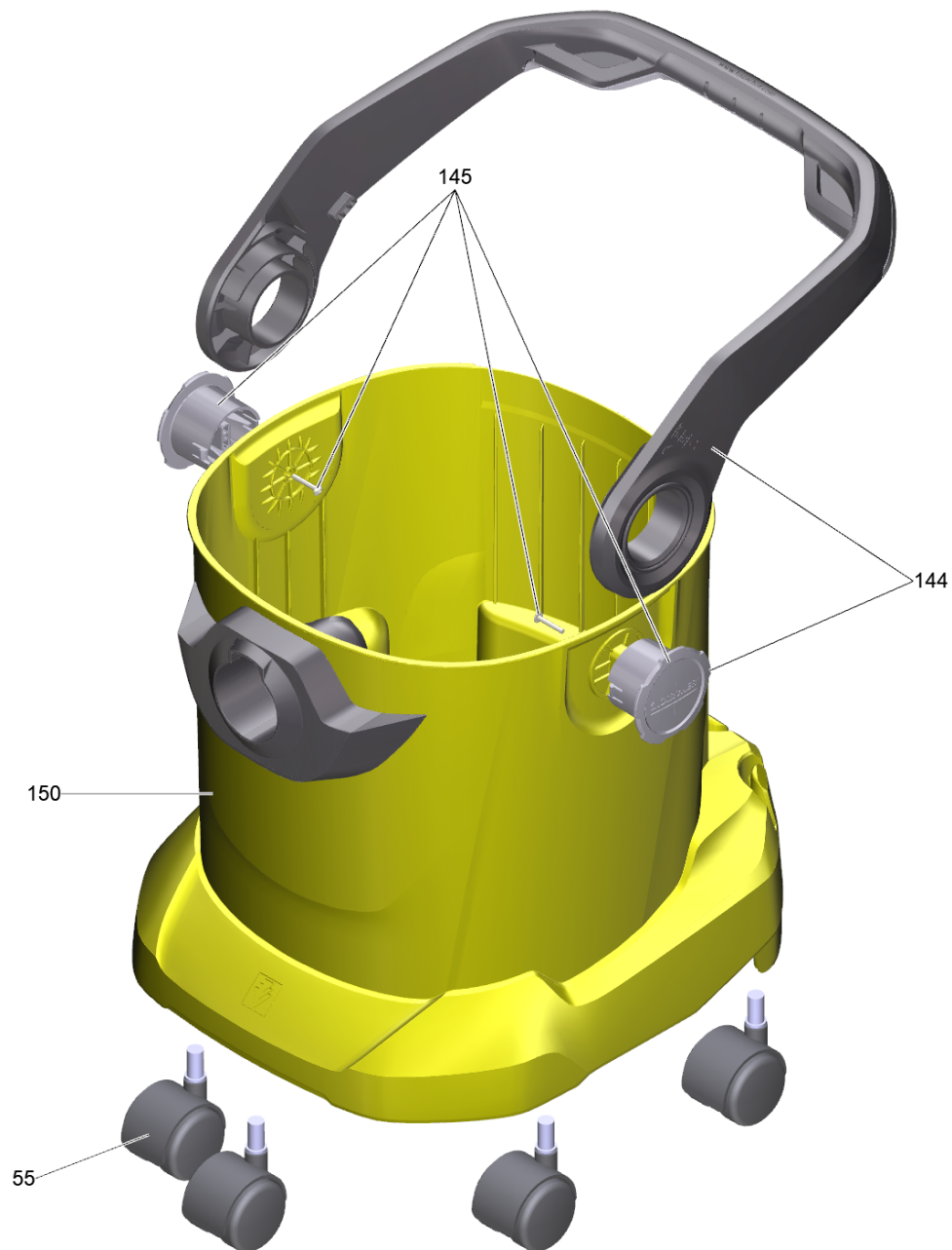
(1.628-313.0) WD 6 P V-25/8/22/T (YYY) \*EU

## Table of contents

---

|   |    |
|---|----|
| WD 6 P V-25/8/22/T (YYY) *EU (1.628-313.0)                | 3  |
| 21 Vacuum kit for power tools WD 2St. (2.863-112.0)       | 8  |
| 41 Motor bracket complete (9.002-089.0)                   | 9  |
| 50 Housing float complete                                 | 11 |
| 57 Filter box complete (9.002-091.0)                      | 13 |
| 150 Tank plastics for replacement 25L YBBY- (4.628-020.3) | 15 |
| 904 Vacuum kit for power tools WD 2St. (2.863-112.0)      | 17 |







| POS | Article no. | Description  | Quantity | Unit |
|-----|-------------|--|----------|------|
| 3   | 2.863-006.0 | Filter bag fleece WD 4pc.                                      | 1        | PC   |
| 4   | 4.440-135.3 | Suction hose complete for replacement 2,2m - without handhold  | 1        | PC   |
| 4   | 4.440-140.3 | Suction hose complete for replacement AS 3,5m WD 4-6           | 1        | PC   |
| 5   | 2.863-308.0 | Extension suction tube WD ID 35                                | 2        | PC   |
| 5   | 9.039-339.0 | Suction tube nichtrostender Stahl                              | 2        | PC   |
| 8   | 5.130-600.0 | Crevice nozzle DN 35   | 1        | PC   |
| 9   | 2.863-000.0 | Wet and dry nozzle switchable WD/SE                            | 1        | PC   |
| 20  | 9.086-221.0 | Screw ATF 4.1x22   | 16       | PC   |
| 21  | 2.863-112.0 | Vacuum kit for power tools WD 2St.                             | 1        | PC   |
| 26  | 9.048-061.0 | Connecting sleeve  | 1        | PC   |
| 41  | 9.002-089.0 | Motor bracket complete   | 1        | PC   |
| 42  | 9.038-271.0 | Air circulation  | 1        | PC   |
| 43  | 4.628-024.3 | Cover complete for replacement WD 5/6 -Y                       | 1        | PC   |
| 45  | 9.013-059.0 | Connection complete  | 1        | PC   |
| 49  | 9.036-997.0 | Strain relief  | 1        | PC   |
| 50  |             | Housing float complete   | 1        | PC   |
| 55  | 9.036-479.0 | Castor D50   | 5        | PC   |
| 56  | 5.628-056.3 | Screen cover for replacement WD 5/6 PT                         | 1        | PC   |
| 57  | 9.002-091.0 | Filter box complete  | 1        | PC   |
| 81  | 6.651-285.3 | Cable with plug for replacement 3x1,5mm <sup>2</sup> *EU -8.5m | 1        | PC   |
| 87  | 4.682-004.0 | Electronics for replacement WD5/WD6                            | 1        | PC   |
| 88  | 6.646-561.0 | Plug socket *EU  | 1        | PC   |
| 100 | 4.624-437.3 | Blower motor complete for replacement 1300W Domel PT           | 1        | PC   |
| 103 | 5.628-059.3 | Ring printed for replacement ON/OFF PT                         | 1        | PC   |
| 104 | 9.038-363.0 | Rotary switch PT WD  | 1        | PC   |
| 131 | 9.038-287.0 | Retainer accessories   | 1        | PC   |
| 144 | 9.002-093.0 | Handle complete  | 1        | PC   |
| 145 | 9.002-094.0 | Flange hand grip complete                                      | 1        | PC   |
| 150 | 4.628-020.3 | Tank plastics for replacement 25L YBBY-                        | 1        | PC   |
| 154 | 9.047-111.0 | Spring WD  | 2        | PC   |
| 156 | 9.038-278.0 | Lever spring   | 1        | PC   |
| 157 | 9.038-279.0 | Flap filter  | 1        | PC   |
| 210 | 6.633-534.0 | Oval head screw with Kombi-Torx 3x18                           | 2        | PC   |

| POS | Article no. | Description                        | Quantity | Unit |
|-----|-------------|------------------------------------|----------|------|
| 900 | 2.863-306.0 | Crevice nozzle extra long WD       | 1        | PC   |
| 901 | 2.863-316.0 | Car nozzle                         | 1        | PC   |
| 902 | 2.863-221.0 | Suction brush kit WD 2pc.          | 1        | PC   |
| 903 | 2.863-305.0 | Extension suction hose 3,5m        | 1        | PC   |
| 903 | 4.441-068.0 | Hose extension packaged 1,5 m      | 1        | PC   |
| 904 | 2.863-112.0 | Vacuum kit for power tools WD 2St. | 1        | PC   |
| 905 | 9.048-061.0 | Connecting sleeve                  | 1        | PC   |
| 906 | 2.863-234.0 | Drill Dust Catcher WD              | 1        | PC   |
| 908 | 2.863-012.0 | Hand grip suction hose             | 1        | PC   |

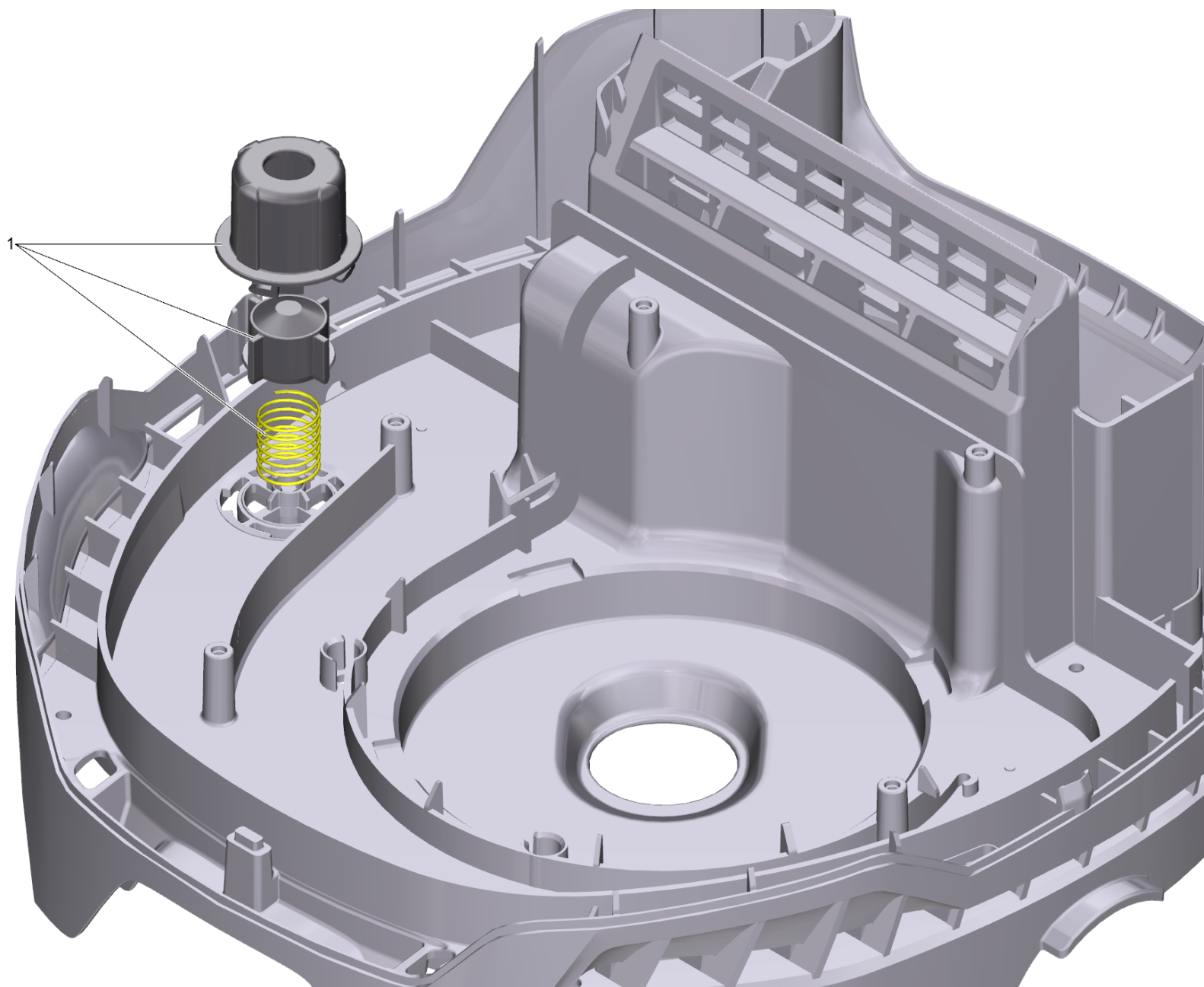
21 Vacuum kit for power tools WD 2St. (2.863-112.0)

---

| <b>POS</b> | <b>Article no.</b> | <b>Description</b> | <b>Quantity</b> | <b>Unit</b> |
|------------|--------------------|--------------------|-----------------|-------------|
| 10         | 9.048-061.0        | Connecting sleeve  | 1               | PC          |

---



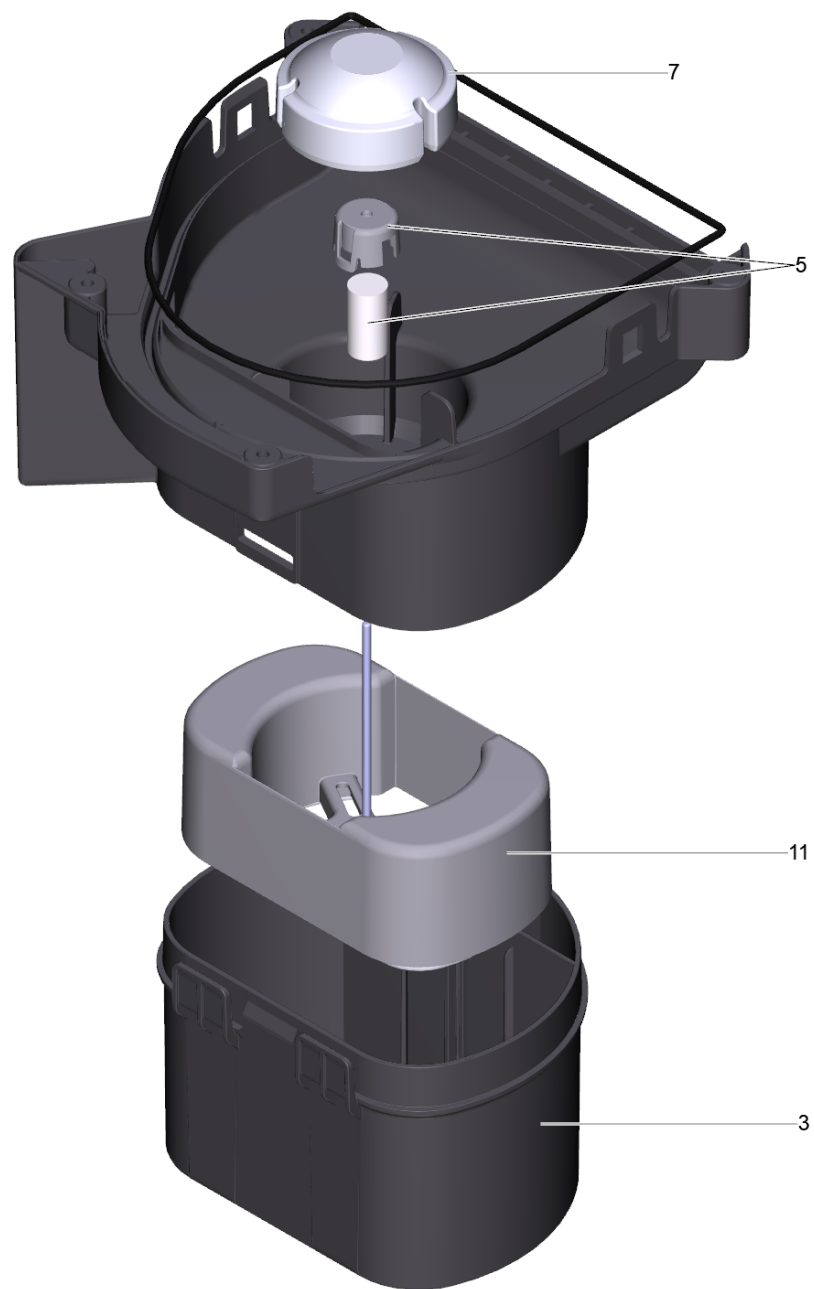


41 Motor bracket complete (9.002-089.0)

---

| <b>POS</b> | <b>Article no.</b> | <b>Description</b>         | <b>Quantity</b> | <b>Unit</b> |
|------------|--------------------|----------------------------|-----------------|-------------|
| 1          | 9.002-036.0        | Safety valve complete WD 4 | 1               | PC          |

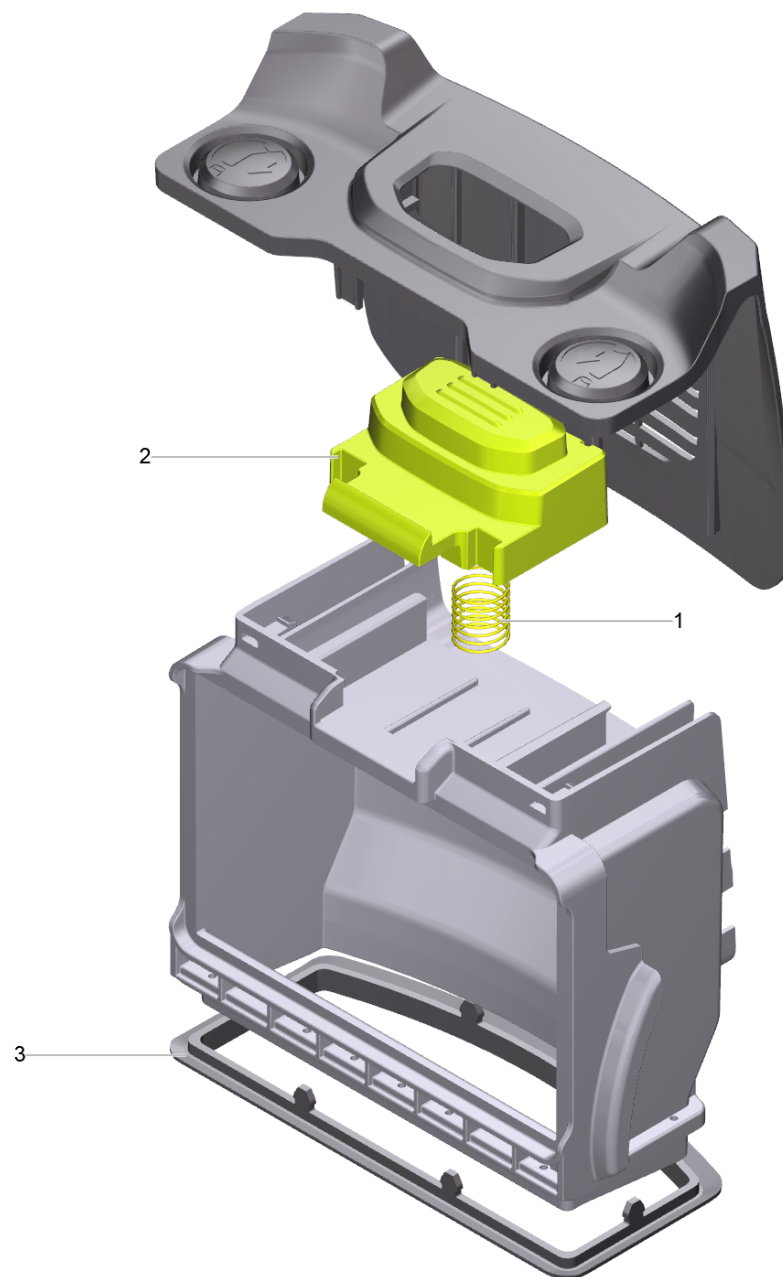
---



## 50 Housing float complete

---

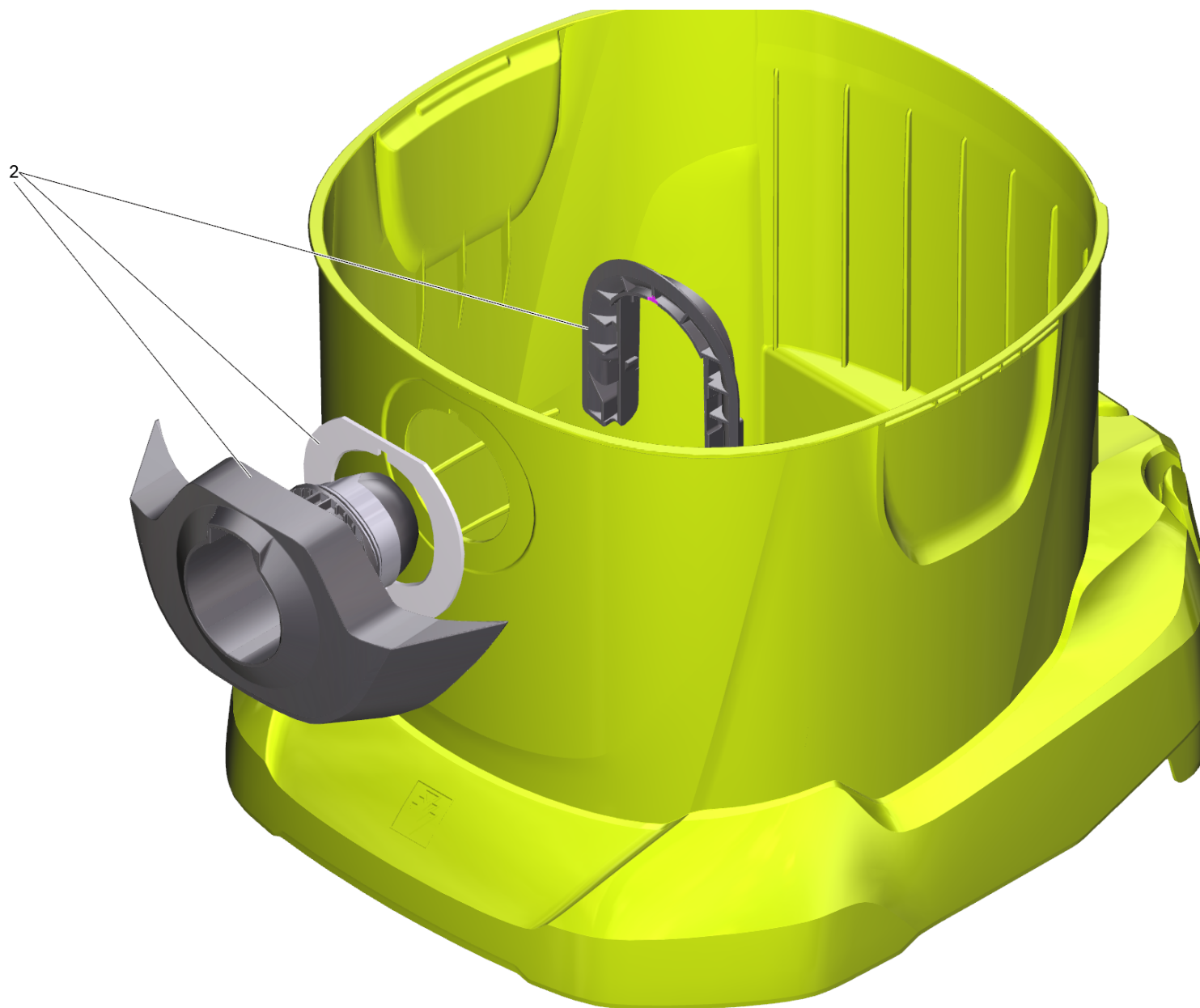
| <b>POS</b> | <b>Article no.</b> | <b>Description</b>       | <b>Quantity</b> | <b>Unit</b> |
|------------|--------------------|--------------------------|-----------------|-------------|
| 3          | 9.038-264.0        | Float cage               | 1               | PC          |
| 5          | 9.002-034.0        | Seal float complete WD 4 | 1               | PC          |
| 7          | 9.038-070.0        | Float valve              | 1               | PC          |
| 11         | 9.002-032.0        | Float complete WD 4      | 1               | PC          |



57 Filter box complete (9.002-091.0)

---

| <b>POS</b> | <b>Article no.</b> | <b>Description</b>  | <b>Quantity</b> | <b>Unit</b> |
|------------|--------------------|---------------------|-----------------|-------------|
| 1          | 6.330-415.0        | Pressure spring VC6 | 1               | PC          |
| 2          | 9.038-283.0        | Fbox button WD5     | 1               | PC          |
| 3          | 9.079-080.0        | Fbox Sealing        | 1               | PC          |



150 Tank plastics for replacement 25L YBBY- (4.628-020.3)

---

| <b>POS</b> | <b>Article no.</b> | <b>Description</b>              | <b>Quantity</b> | <b>Unit</b> |
|------------|--------------------|---------------------------------|-----------------|-------------|
| 2          | 2.885-872.0        | Set suction connection packaged | 1               | PC          |

---



904 Vacuum kit for power tools WD 2St. (2.863-112.0)

---

| <b>POS</b> | <b>Article no.</b> | <b>Description</b> | <b>Quantity</b> | <b>Unit</b> |
|------------|--------------------|--------------------|-----------------|-------------|
| 10         | 9.048-061.0        | Connecting sleeve  | 1               | PC          |

---