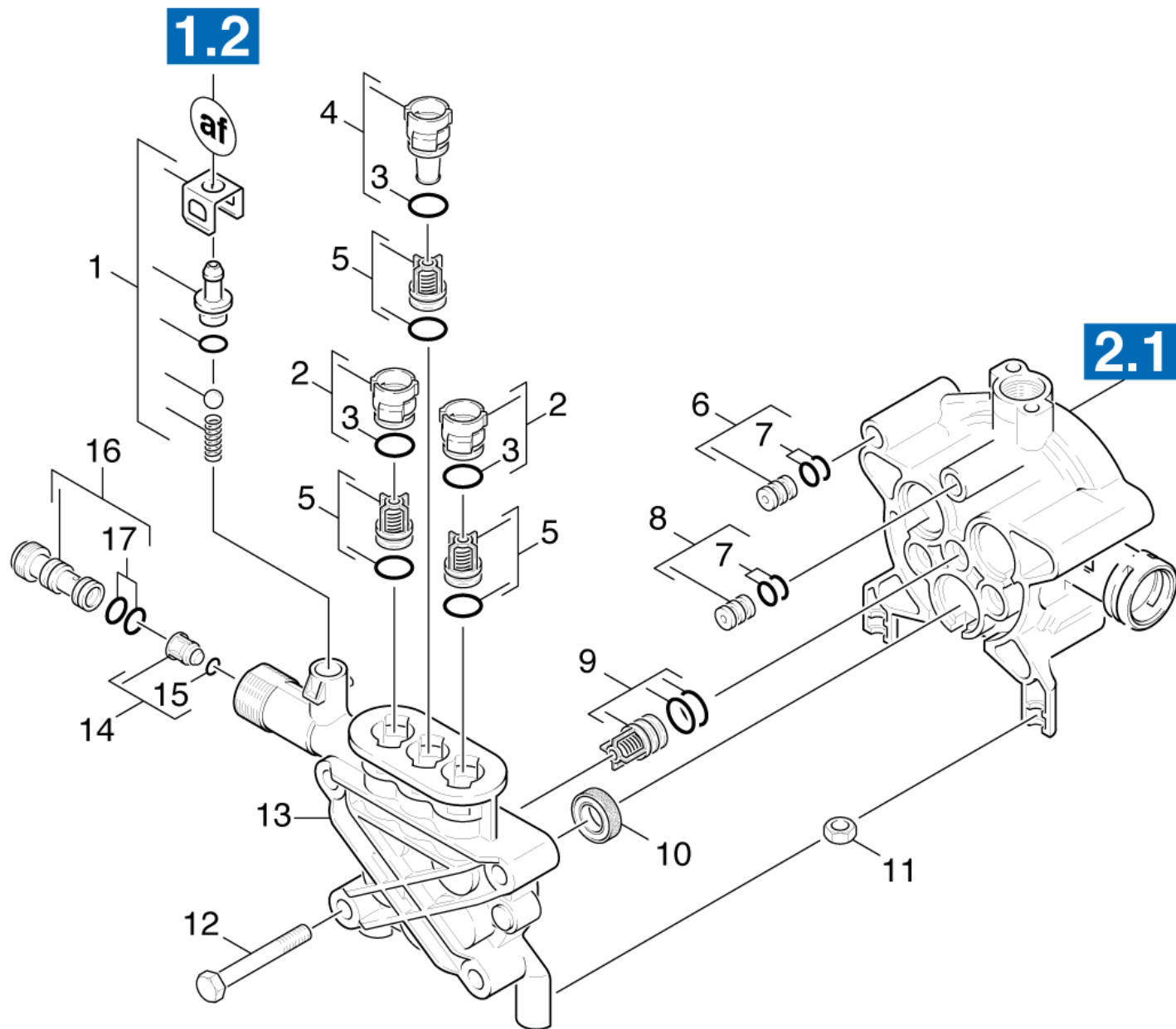


2.1 Cylinder head

Overview technical documents/Home & Garden/High pressure cleaner cold water/Electric motor/K 6/K 6.80 *EU (1.397-201.0)/Spare parts list K 6.80/20 Pump set/2.1 Cylinder head



21 Cylinder head

Overview technical documents/Home & Garden/High pressure cleaner cold water/Electric motor/K 6/K 6.80 *EU (1.397-201.0)/Spare parts list K 6.80/20 Pump set/21 Cylinder head

Rez.daļas/nodil.pakļ.daļas	Poz.	Materiāla Nr.	Nosaukums	Daudzums	Pārdoš. vienība	no sēr. Nr..	līdz sēr. Nr.
	1	2.883-258.0	Spare part set neutrally	1.000	ST	0000000000	0000000000
	2	4.132-010.0	Spare part	2.000	ST	0000000000	0000000000
	3	6.363-273.0	Gredzenblīve 11,0 x 2,0	3.000	ST	0000000000	0000000000
	4	4.132-011.0	Power nozzle	1.000	ST	0000000000	0000000000
	5	2.884-873.0	Valve (3 Stueck)	1.000	ST	0000000000	0000000000
	6	4.030-070.0	Throttle complete	1.000	ST	0000000000	0000000000
	7	6.362-176.0	Gredzenblīve 6,07x1,78	4.000	ST	0000000000	0000000000
	8	4.030-125.0	Joining piece only for replacement	1.000	ST	0000000000	0000000000
	9	2.884-877.0	Valve	1.000	ST	0000000000	0000000000
X-X	10	6.365-394.0	Gredzens ar gropi 12x20x5,3/2,8	3.000	ST	0000000000	0000000000
	11	7.311-003.0	Hexagon nut M6 -8-A2E ISO 4032	2.000	ST	0000000000	0000000000
	12	7.304-098.0	Hexagonal head screw M8x80-8.8-A2E ISO	4.000	ST	0000000000	0000000000
	13	5.550-331.0	Cilindra galva	1.000	ST	0000000000	0000000000
	14	4.584-022.0	Valve pin complete	1.000	ST	0000000000	0000000000
	15	6.363-613.0	Gredzenblīve 4 x 2 -NBR90	1.000	ST	0000000000	0000000000
	16	4.769-043.0	Nozzle insert	1.000	ST	0000000000	0000000000
	17	6.362-384.0	Gredzenblīve 9x1,5 - NBR 70	1.000	ST	0000000000	0000000000