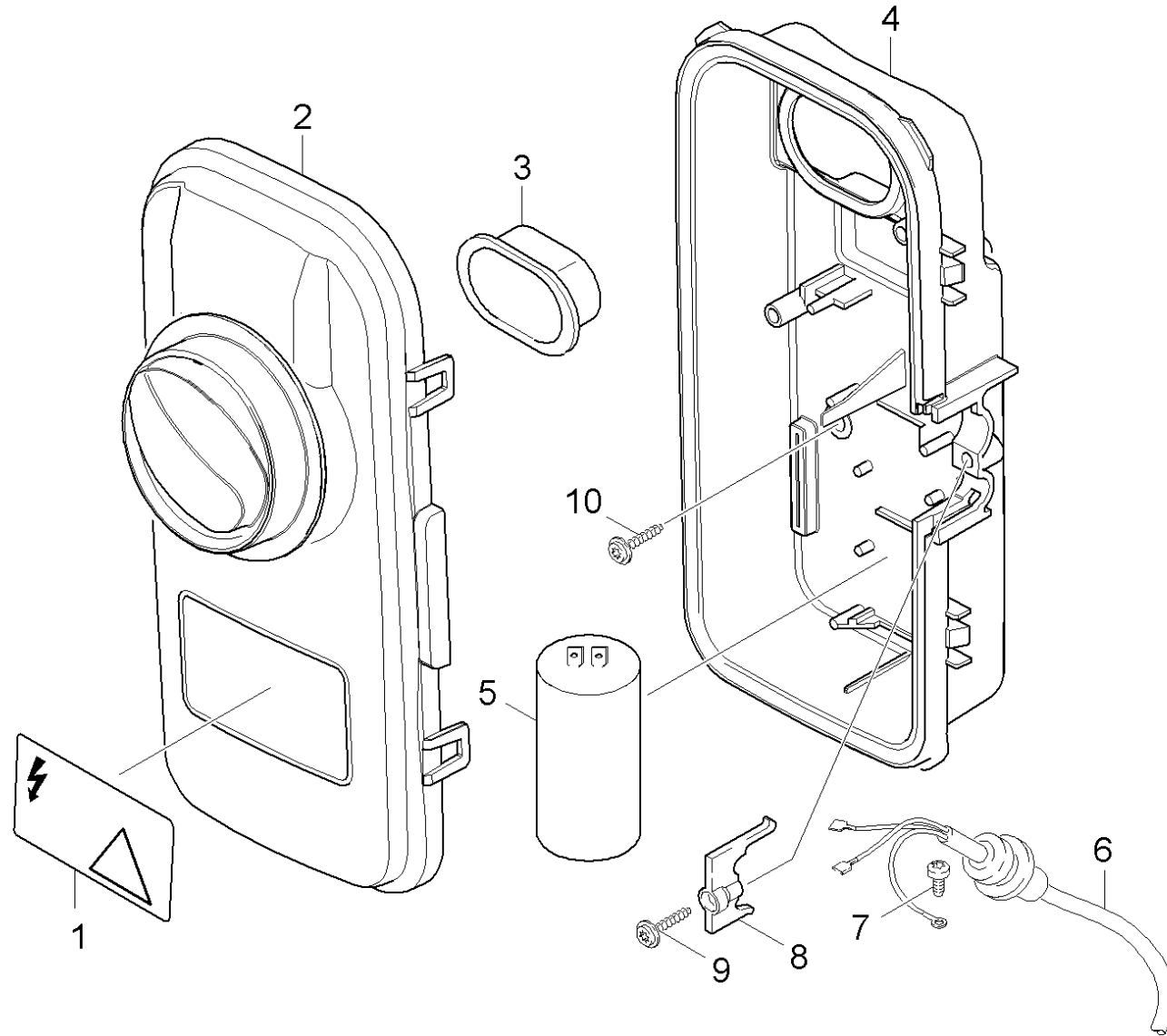


50 Electric box

Professional \ High pressure cleaner cold water \ Electric motor \ HD 5/15 C Plus *EU \ Spare parts list HD 5/12 C_6/13 C \ Electric box



50 Electric box

Professional \ High pressure cleaner cold water \ Electric motor \ HD 5/15 C Plus *EU \ Spare parts list HD 5/12 C_6/13 C \ Electric box

KÄRCHER

POS	Article no.	Description	Quantity	Unit	Remark
1	5.388-512.0	Label	1.000	ST	
2	4.744-200.0	Switch complete	1.000	ST	
	Item text1: / 1.514-106.0 / -111.0				
2	4.744-266.0	Switch complete	1.000	ST	
	Item text1: 1.514-112.0 /-113.0 /-123.0 /-124.0 /-201.0 /-203.0 /-204.0 / -205.0 /-206.0 /-207.0 /-251.0 /-252.0 /-255.0 /-503.0 /-507.0 /-508.0				
2	4.744-166.0	Switch complete	1.000	ST	
	Item text1: 1.514-101.0 / -103.0 / -104.0 / -105.0 /				
	Item text2: 1.514-109.0 / -110.0 / -127.0 /-151.0 /				
3	5.365-181.0	Profile gasket	1.000	ST	
4	5.061-084.0	Housing	1.000	ST	
	Item text1: / 1.514-106.0 / -111.0				
4	5.061-000.0	Housing	1.000	ST	
	Item text1: 1.514-101.0 /-103.0 /-104.0 /-105.0 / -110.0 /-112.0 /-113.0 /-123.0 /-124.0 /-127.0 /-151.0 /-201.0 /-203.0 /-204.0 /-205.0 /-206.0 /-207.0 /-251.0 /-252.0 /-255.0 /-503.0 /-507.0 /-508.0				
5	6.661-237.0	Capacitor 70µF	1.000	ST	70 mF
5	6.661-298.0	Capacitor 40µF	1.000	ST	40 mF
5	6.661-132.0	Capacitor 35MF	1.000	ST	35 mF
5	6.661-129.0	Capacitor 25MF	1.000	ST	25 mF
6	6.649-292.0	Cable with plug	1.000	ST	
	Item text1: / 1.514-111.0				
6	6.649-943.0	Cable with plug CH	1.000	ST	(CH)
	Item text1: / 1.514-104.0				
6	6.648-980.0	Cable with plug *CDN	1.000	ST	(CSA)
	Item text1: / 1.514-106.0				
6	6.648-906.3	Cable with plug	1.000	ST	(EUR)
	Item text1: 1.514-101.0 /-109.0 /-110.0 /-112.0 /-113.0 /-123.0 /-124.0 /-151.0 /-201.0 /-204.0 /-205.0 /-206.0 /-251.0 /-252.0 /-255.0 /-503.0 /-508.0				
6	6.648-977.0	Cable with plug *GB	1.000	ST	(GB)
	Item text1: / 1.514-103.0 /-127.0 /-203.0 /-207.0				
	Item text2: /-507.0				
6	6.648-979.0	Cable with plug *AUS	1.000	ST	(AU)
	Item text1: / 1.514-105.0				
7	7.303-031.0	Screw M4x10 -St-P2R (In6Rd)	1.000	ST	
8	5.263-051.0	Tensioning part	1.000	ST	

50 Electric box

Professional \ High pressure cleaner cold water \ Electric motor \ HD 5/15 C Plus *EU \ Spare parts list HD 5/12 C_6/13 C \ Electric box



POS	Article no.	Description	Quantity	Unit	Remark
9	7.303-109.0	Screw 5x25 -10.9-R2R (In6Rd)	1.000	ST	
10	6.303-153.0	Screw M5x15-ST-R2R (IN6RD)	3.000	ST	