

Spare parts list

(1.025-315.0) HDS 695 M ECO *EU

Table of contents

HDS 695 M ECO *EU (1.025-315.0)	4
Spare parts list HDS 695 M ECO (5.970-324.0)	5
10 Individual parts	6
11 Cover	7
12 Base frame	9
13 Handhold	11
20 Pump set	13
21 Piston	14
100 Spare part set pump (2.883-913.0)	16
20 Valve (3 Stueck) (2.884-512.0)	17
22 Cylinder head	19
10 Piston complete only for replacement (4.553-197.0)	23
25 Piston complete only for replacement (4.553-198.0)	25
32 Valve (3 Stueck) (2.884-512.0)	27
100 Spare part set pump (2.883-913.0)	29
20 Valve (3 Stueck) (2.884-512.0)	30
23 Switch	32
30 Motor	34
40 Blower	37
50 Fuel system	39
51 Fuel pump aspiration	40
52 Fuel pump	42
60 Electric control box	44
61 Top part	45
62 Bottom part	47
21 Spare parts set ignition transformer (2.883-791.0)	51
70 Flow heater	52
71 Burner cover	53
8 Cover plate pressure boiler (4.654-218.0)	55
11 Conversion kit ignition electrode (2.638-974.0)	57
72 Heating coil	59
73 Burner bottom	61
2 Bottom pressure boiler (4.655-044.0)	63
80 Float chest	65
81 Float chest	66
82 DGT	68
90 Safety system	70
91 Safety system	71

Table of contents

92 Safety system	73
100 Accessories	75
101 Hand trigger gun	76
1 HAND TRIGGER GUN EASY PRESS (4.775-463.0)	78
9002 Lever complete (4.481-209.0)	80
6 Lever complete (4.481-209.0)	82
11 Hose assembly standard DN6 25MPa 10m (6.391-238.0)	84
11 Hose assembly only for replacement DN8 4 (6.391-351.0)	86
14 Rotary controller 416L (4.775-470.0)	88
102 Hand trigger gun	90
1 Hand trigger gun (4.775-466.0)	92
60 Adapter pipelines AVS-M22x1,5 (4.421-739.3)	94
9002 Lever complete (4.481-209.0)	96
4 Rotary controller 416L (4.775-470.0)	98
5 Hose assembly rotatable DN8 40MPa 15m (6.389-709.0)	100
13 Lever complete (4.481-209.0)	101
15 Adapter pipelines AVS-M22x1,5 (4.421-739.3)	103
103 Jet pipe	105
1 Jet pipe packaged only for replacement (4.760-660.0)	107
9 Power nozzle 25050 (2.883-399.0)	109
9 Power nozzle 25048 (2.883-804.0)	111
104 Hose reel	113
105 Steam nozzle	116
110 Control panel	118
120 Flame guard	120

HDS 695 M ECO *EU (1.025-315.0)

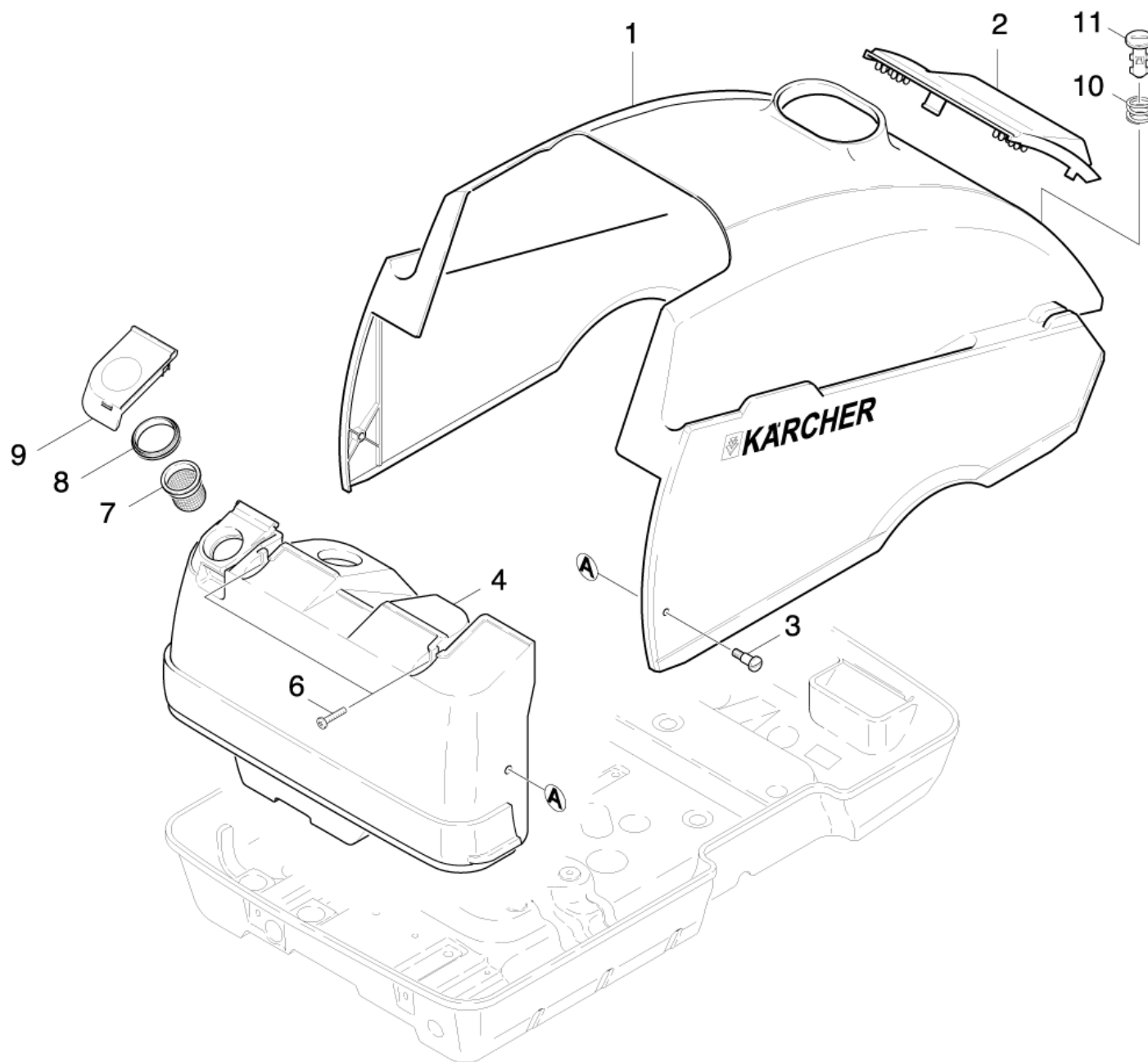
POS	Article no.	Description	Quantity	Unit
0	5.970-324.0	Spare parts list HDS 695 M ECO	1.000	ST
	Item text2: 10253010			

Spare parts list HDS 695 M ECO (5.970-324.0)

POS	Description	Quantity	Unit
10	Individual parts	1.000	ST
20	Pump set	1.000	ST
30	Motor	1.000	ST
40	Blower	1.000	ST
50	Fuel system	1.000	ST
60	Electric control box	1.000	ST
70	Flow heater	1.000	ST
80	Float chest	1.000	ST
90	Safety system	1.000	ST
100	Accessories	1.000	ST
110	Control panel	1.000	ST
120	Flame guard	1.000	ST

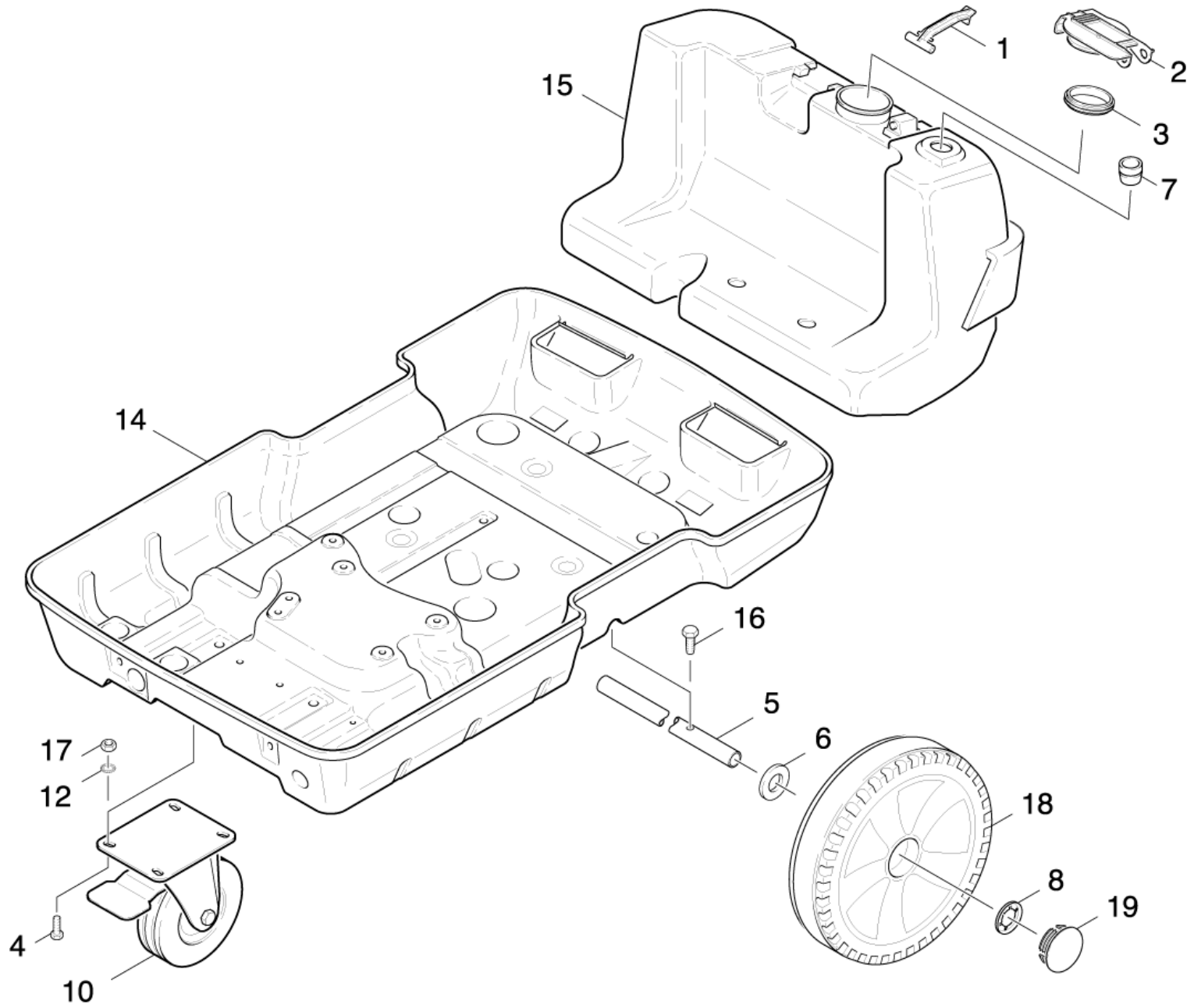
10 Individual parts

POS	Description	Quantity	Unit
11	Cover	1.000	ST
12	Base frame	1.000	ST
13	Handhold	1.000	ST



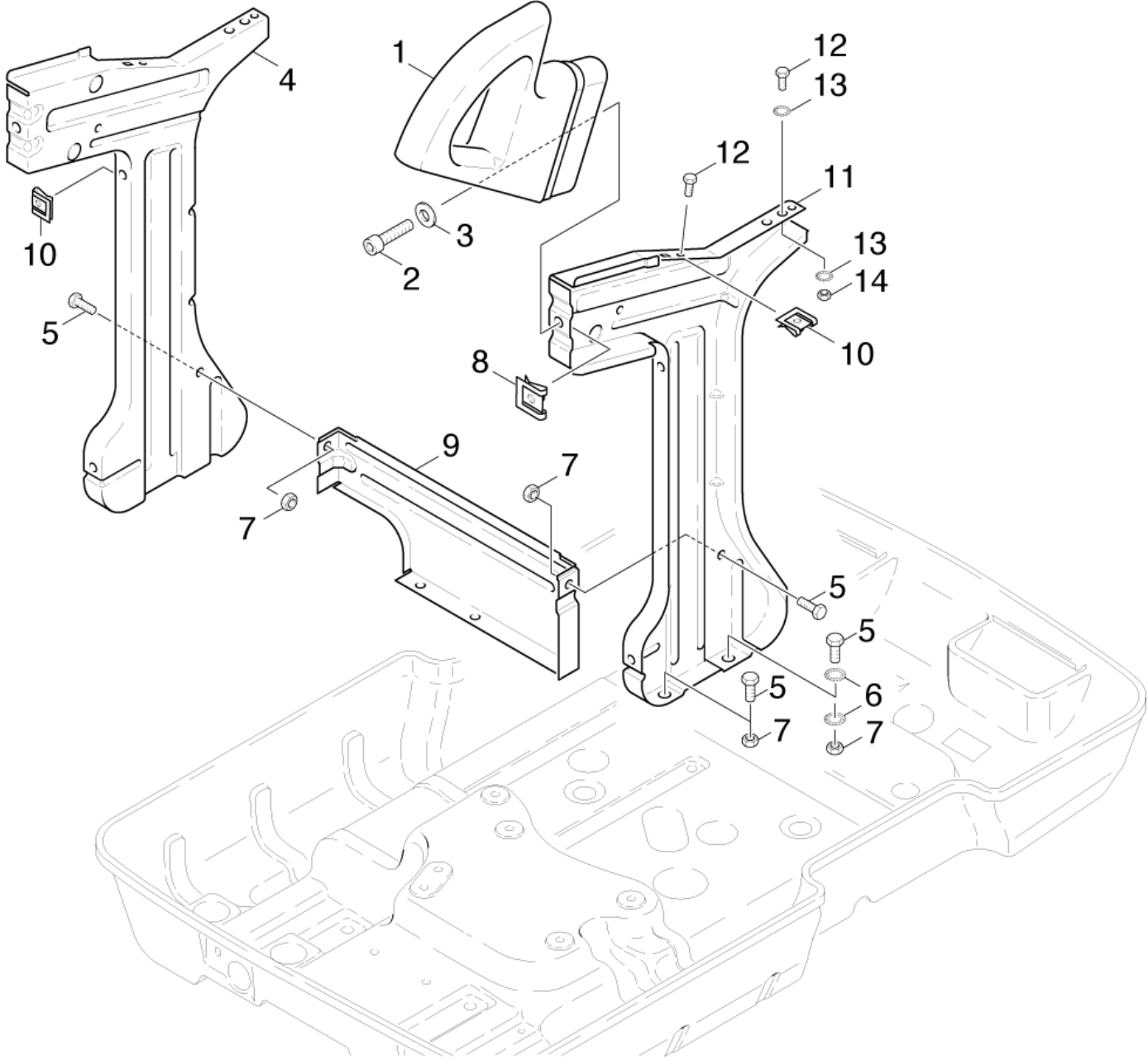
11 Cover

POS	Article no.	Description	Quantity	Unit	Foot note text
1	4.066-384.0	Cover Ersatz-alte HDS-M nieder o. Blech	1.000	ST	
	Item text1: 1.025-351.0				
1	4.066-385.0	Cover Ersatz alte HDS-M klasse mit VA-B	1.000	ST	
	Item text1: 1.025-311.0 /-312.0 /-315.0 /-316.0 / -317.0 /-318.0 /-319.0 /-320.0 /-324.0 / -325.0 /				
1	4.066-384.0	Cover Ersatz-alte HDS-M nieder o. Blech	1.000	ST	
	Item text1: 1.025-352.0				
2	5.033-769.0	Flap anthracite	1.000	ST	
	Item text1: 1.025-352.0				
2	5.030-001.0	Flap	1.000	ST	ANTHRACITE
2	5.030-834.0	Flap	1.000	ST	YELLOW
	Item text1: 1.025-311.0 /-312.0 /-315.0 /-316.0 /-317.0 /-318.0 /-319.0 /-320.0 /-324.0 /-325.0 /-351.0				
3	5.305-204.0	Shaped screw	2.000	ST	
4	5.071-048.0	Tank fuel	1.000	ST	
6	6.303-172.0	Oval head screw M 6X 34	2.000	ST	
7	5.731-039.0	Filter	1.000	ST	
8	5.363-290.0	Joint ring	1.000	ST	
9	5.063-958.0	Cover	1.000	ST	
	Item text1: / 1.025-318.0 / -319.0 / -320.0				
	Item text2: / -324.0				
9	5.063-957.0	Cover	1.000	ST	
	Item text1: / 1.025-311.0 /-312.0 /-315.0 /-316.0				
	Item text2: /-317.0 /-325.0 /-351.0 /-352.0				
10	5.332-236.0	Helical spring	1.000	ST	
11	5.316-318.0	Bolt	1.000	ST	



12 Base frame

POS	Article no.	Description	Quantity	Unit	Foot note text
1	5.042-463.0	Holder	1.000	ST	
2	5.063-448.0	Cover	1.000	ST	
3	5.363-300.0	Joint ring	1.000	ST	
4	7.304-395.0	Hexagonal head screw M8x16-8.8-A2E ISO	4.000	ST	
5	5.105-163.0	Axle	1.000	ST	
6	7.312-060.0	Washer 24-100HV-A3E ISO 7091	2.000	ST	
7	5.365-147.0	Profile gasket	1.000	ST	
8	6.343-162.0	Lock washer -25	2.000	ST	
10	6.435-071.0	Castor 125	1.000	ST	
12	7.312-166.0	Toothed lock washer A8,4-FSt-A3E DIN 67	2.000	ST	
14	5.050-046.0	Frame	1.000	ST	
15	5.071-047.0	Tank chemistry	1.000	ST	
16	6.303-031.0	Screw M8x16-ST-R2R DIN 7500-1	2.000	ST	
17	7.311-004.0	Hexagon nut M8 -8-A3E ISO 4032	4.000	ST	
18	4.515-092.0	Wheel complete	2.000	ST	
	Item text1: 1.025-311.0 /-312.0 /-315.0 /-316.0 /-317.0 /-318.0 /-319.0 /-320.0 /-324.0 /-325.0 /-351.0				
18	4.515-098.0	Wheel complete neutrally	2.000	ST	
	Item text1: 1.025-352.0				
19	5.392-038.0	Wheel cap	2.000	ST	BLACK
	Item text1: 1.025-352.0				
19	5.392-035.0	Wheel cap	1.000	ST	YELLOW
	Item text1: 1.025-311.0 /-312.0 /-315.0 /-316.0 /-317.0 /-318.0 /-319.0 /-320.0 /-324.0 /-325.0 /-351.0				

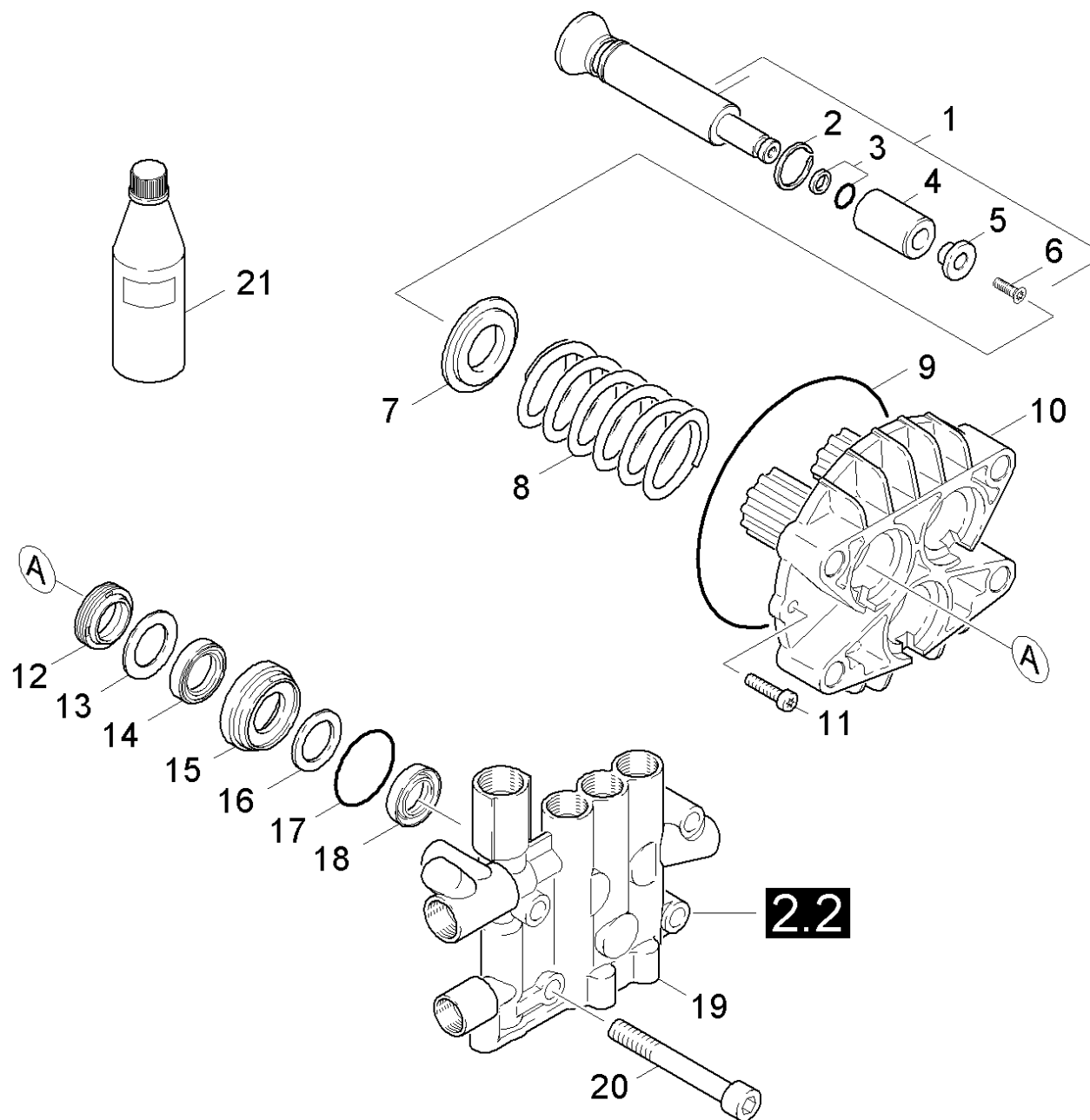


13 Handhold

POS	Article no.	Description	Quantity	Unit
1	5.321-647.0	Sliding handle	2.000	ST
2	7.306-049.0	Cylinder head screw M 8x45-8.8-A2E ISO	2.000	ST
3	7.312-004.0	Washer 8 -200HV-A3E ISO 7089	2.000	ST
4	5.052-033.0	Stand left	1.000	ST
5	7.304-395.0	Hexagonal head screw M8x16-8.8-A2E ISO	6.000	ST
6	7.312-166.0	Toothed lock washer A8,4-FSt-A3E DIN 67	4.000	ST
7	7.311-004.0	Hexagon nut M8 -8-A3E ISO 4032	6.000	ST
8	6.310-083.0	Putting nut M8	2.000	ST
9	5.055-120.0	Stay	1.000	ST
10	6.310-082.0	Putting nut M6	4.000	ST
11	5.052-035.0	Stand right	1.000	ST
12	7.304-382.0	Hexagonal head screw M 6x12-8.8-A2E ISO	4.000	ST
13	7.312-167.0	Toothed lock washer A6,4-FSt-A3E DIN 67	4.000	ST
14	7.311-003.0	Hexagon nut M6 -8-A2E ISO 4032	2.000	ST

20 Pump set

POS	Description	Quantity	Unit
21	Piston	1.000	ST
22	Cylinder head	1.000	ST
23	Switch	1.000	ST

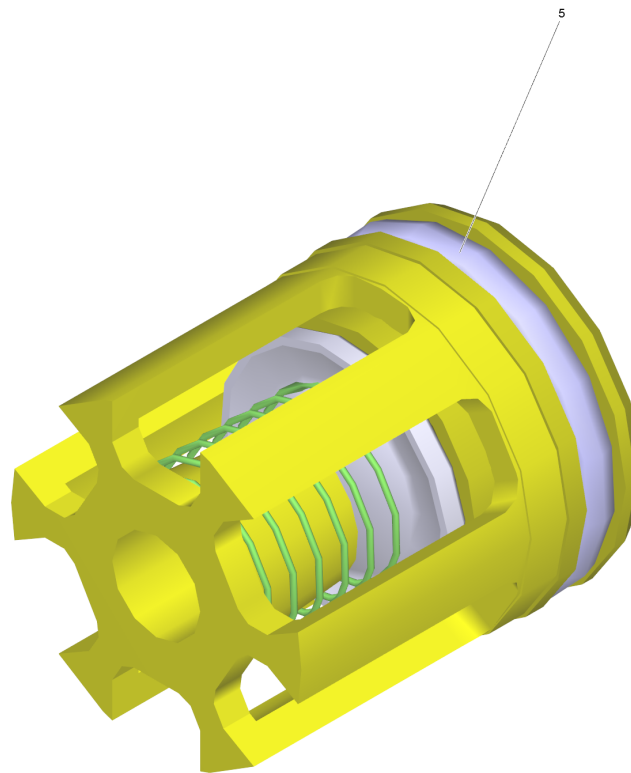


21 Piston

POS	Article no.	Description	Quantity	Unit
1	4.553-281.0	Piston complete only for replacement	3.000	ST
2	6.472-331.0	Snap ring 20	3.000	ST
3	6.362-365.0	O-Ring seal complete 1ST.-R.- 7,65X 1,7	3.000	ST
4	5.110-220.3	Sleeve ceramic	3.000	ST
5	5.116-076.0	Washer	3.000	ST
6	6.305-004.0	Countersunk screw M 5X 20-A2-70-sw	3.000	ST
7	5.115-539.0	Washer	3.000	ST
8	5.332-289.0	Helical spring	3.000	ST
9	6.362-796.0	O-Ring seal 107,62X 2,62	1.000	ST
10	5.060-432.0	Housing	1.000	ST
11	7.306-105.0	Screw M6x30 -8.8-R3R (In6Rd)	2.000	ST
12	6.365-052.0	Grooved ring 20X28X6/8	3.000	ST
13	5.115-537.0	Washer	3.000	ST
14	6.365-053.0	Compact seal 20X30X6	3.000	ST
15	5.112-420.0	Bush	3.000	ST
16	5.115-538.0	Washer	3.000	ST
17	6.362-092.0	O-Ring seal 36,0 X 2,0-NBR 70	3.000	ST
18	6.365-330.0	Grooved ring	3.000	ST
19	4.550-607.0	Cylinder head complete only for replacem	1.000	ST
20	7.306-155.0	Cylinder head screw M12x100 -8.8-A3E IS	4.000	ST
21	6.288-016.0	Gear oil 1L	1.000	ST
100	2.883-913.0	Spare part set pump	1.000	ST

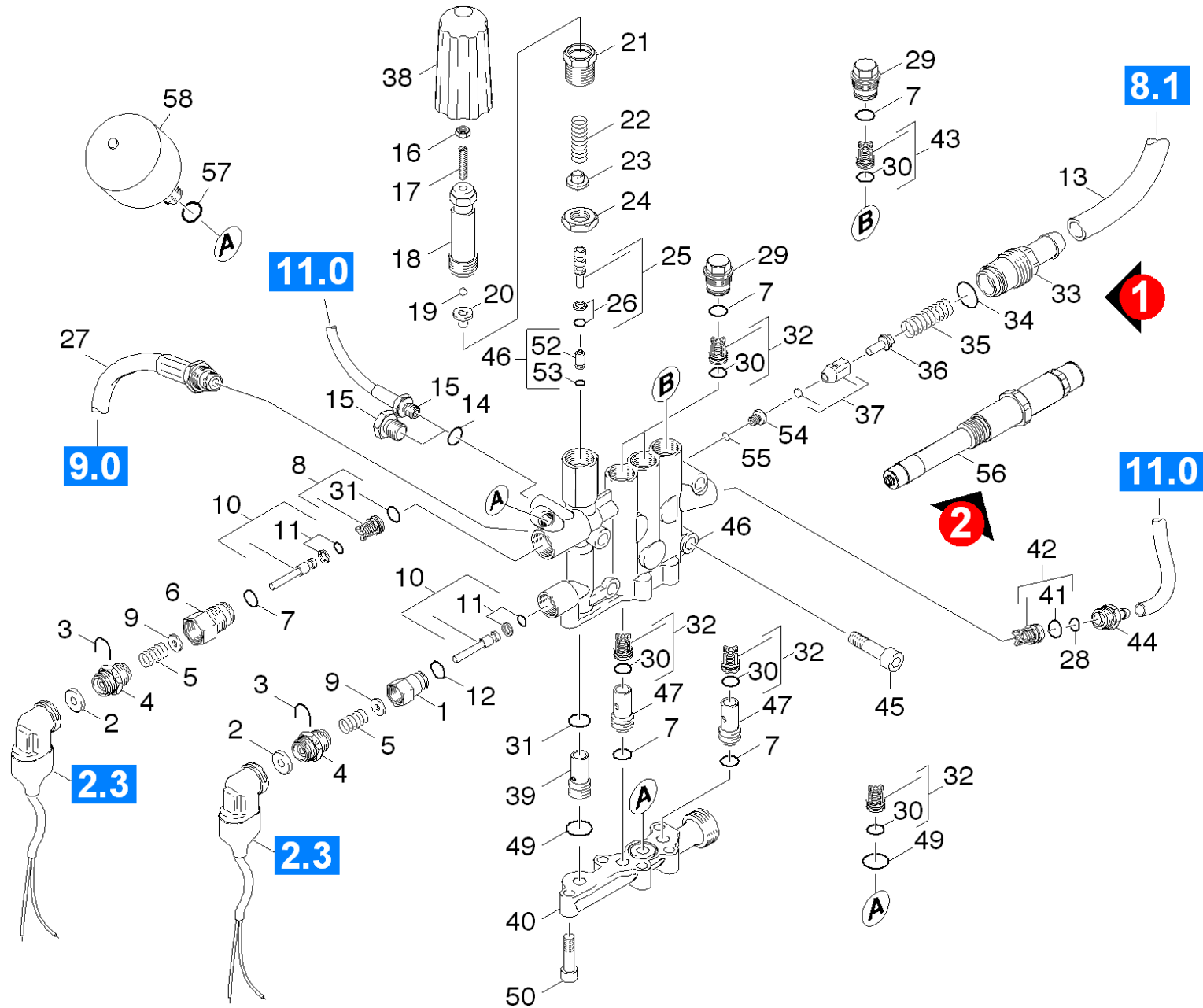
100 Spare part set pump (2.883-913.0)

POS	Article no.	Description	Quantity	Unit
10	4.580-262.0	Valve complete	1.000	ST
20	2.884-512.0	Valve (3 Stueck)	2.000	ST
30	4.580-349.0	Valve complete chemistry	1.000	ST
50	4.582-019.0	Valve disc complete	1.000	ST
60	5.034-494.0	Retaining bracket	2.000	ST
70	5.115-537.0	Washer	3.000	ST
80	5.115-538.0	Washer	3.000	ST
90	5.115-796.0	Washer	2.000	ST
100	5.584-122.0	Valve pin	1.000	ST
110	6.362-151.0	O-Ring d. 10 x 2 NBR 70	1.000	ST
120	6.362-169.0	O-Ring seal 12,0 X 2,0	1.000	ST
130	6.362-368.0	O-Ring seal complete /1ST.-R.	2.000	ST
140	6.362-468.0	O-Ring seal complete 1ST.-R.	1.000	ST
150	6.362-481.0	O-Ring seal 14,0 x 2,0 NBR 80	6.000	ST
160	6.362-092.0	O-Ring seal 36,0 X 2,0-NBR 70	3.000	ST
170	6.362-547.0	O-Ring seal 20,0x1,5-NBR 70	2.000	ST
180	6.362-796.0	O-Ring seal 107,62X 2,62	1.000	ST
190	6.363-003.0	O-Ring seal 13,0 X 2,0-NBR 90	6.000	ST
200	6.365-052.0	Grooved ring 20X28X6/8	3.000	ST
210	6.365-053.0	Compact seal 20X30X6	3.000	ST
220	6.365-330.0	Grooved ring	3.000	ST



20 Valve (3 Stueck) (2.884-512.0)

POS	Article no.	Description	Quantity	Unit
5	6.363-003.0	O-Ring seal 13,0 X 2,0-NBR 90	1.000	ST



22 Cylinder head

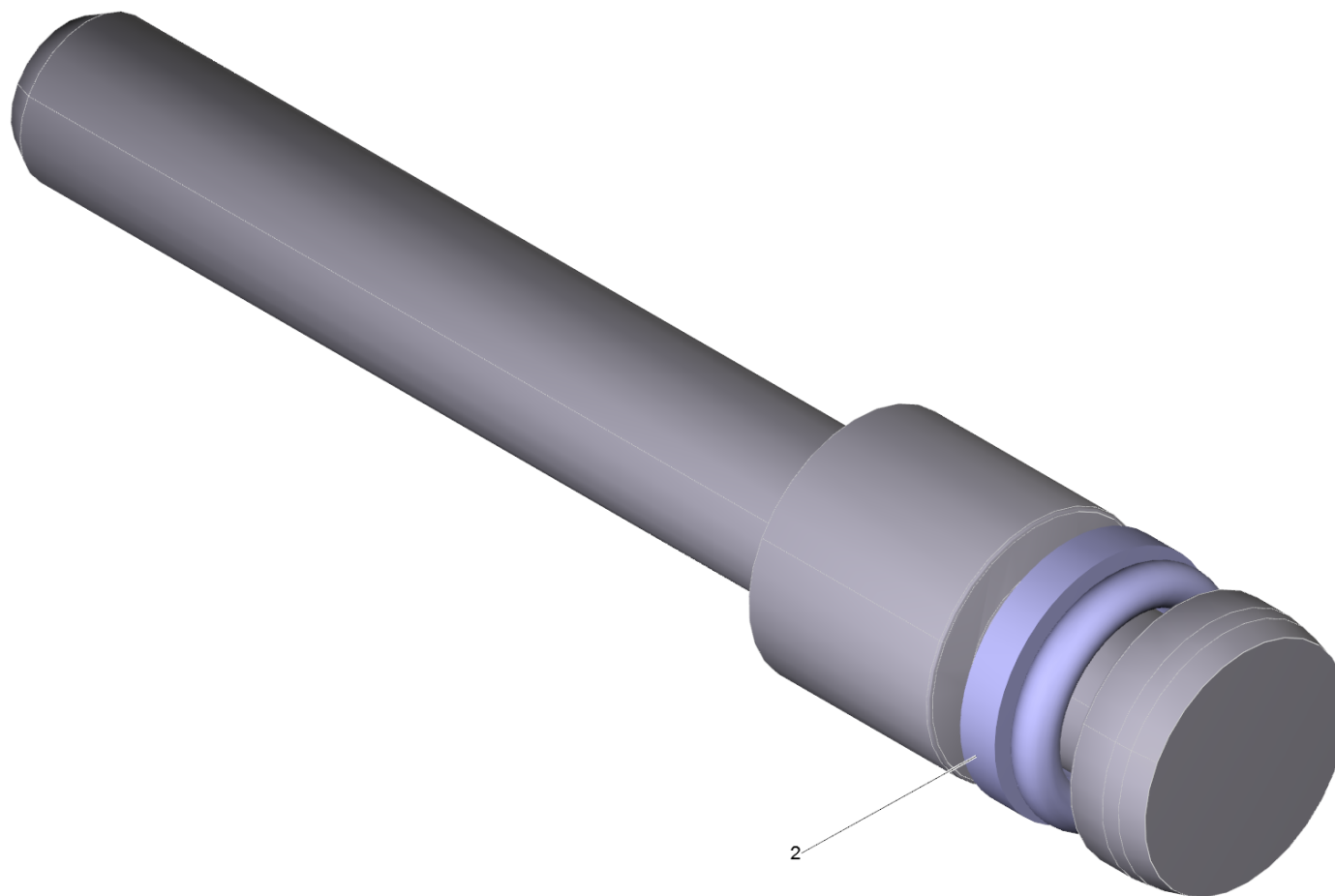
POS	Article no.	Description	Quantity	Unit	Remark	Foot note text
1	5.402-705.3	Joining piece	1.000	ST		
2	5.367-030.0	Diaphragm	2.000	ST		
3	5.034-494.0	Retaining bracket	2.000	ST		
4	5.411-148.0	Screw plug	2.000	ST		
5	5.332-268.0	Helical spring	2.000	ST		
6	5.583-161.0	Valve screw	1.000	ST		
7	6.362-481.0	O-Ring seal 14,0 x 2,0 NBR 80	6.000	ST		
8	4.580-262.0	Valve complete	1.000	ST		
9	5.115-796.0	Washer	2.000	ST		
10	4.553-197.0	Piston complete only for replacement	2.000	ST		
11	6.363-037.0	O-Ring seal complete 1ST.-R.	2.000	ST		
12	6.362-853.0	O-Ring seal 4,47x1,78	1.000	ST		
13	6.388-167.0	Hose DN15	1.000	M		TO ORDER AS CUT GOODS
14	7.362-003.0	Joint ring A10x13,5 -Cu DIN 7603	1.000	ST		
15	6.389-635.0	High pressure hose pressure gauge	1.000	ST		
	Item text1: / 1.025-311.0 / -312.0 / -315.0 / -316.0					
	Item text2: / -317.0 / -325.0					
15	5.411-070.0	Screw plug	1.000	ST		
	Item text1: / 1.025-318.0 / -319.0 / -320.0					
	Item text2: / -324.0 / -351.0 / -352.0					
16	7.311-002.0	Hexagon nut M5 -6-A2E ISO 4032	1.000	ST		
17	7.307-017.0	Threaded pin M5x40 -St-45H-A2E ISO 4026	1.000	ST		
18	5.304-070.0	Hexagonal head screw	1.000	ST		
19	7.401-931.0	Sphere 5 K13 -1.4401 DIN 5401	1.000	ST		
20	5.582-121.0	Valve disc	1.000	ST		
21	5.404-082.0	Hollow screw	1.000	ST		
22	5.332-444.0	Helical spring	1.000	ST		
23	5.584-114.0	Valve pin	1.000	ST		
24	5.311-204.0	Hexagon nut M22x1,5	1.000	ST		
25	4.553-198.0	Piston complete only for replacement	1.000	ST		
26	6.362-468.0	O-Ring seal complete 1ST.-R.	1.000	ST		
27	6.391-596.0	High pressure hose DN 13	1.000	ST		

22 Cylinder head

POS	Article no.	Description	Quantity	Unit	Remark	Foot note text
27	6.389-568.0	High pressure hose DN 8	1.000	ST		
	Item text1: 1.025-351.0 /-352.0					
28	6.362-151.0	O-Ring d. 10 x 2 NBR 70	1.000	ST		
29	5.583-146.3	Valve screw	3.000	ST		
30	6.363-003.0	O-Ring seal 13,0 X 2,0-NBR 90	6.000	ST		
31	6.362-381.0	O-Ring seal 13x2 - NBR 70	2.000	ST		
32	2.884-512.0	Valve (3 Stueck)	5.000	ST		
33	5.583-168.0	Valve screw safety valve	1.000	ST	VERSION 1	
34	6.362-169.0	O-Ring seal 12,0 X 2,0	1.000	ST	VERSION 1	
35	5.332-473.0	Helical spring	1.000	ST	VERSION 1	
36	5.584-122.0	Valve pin	1.000	ST	VERSION 1	
37	4.582-019.0	Valve disc complete	1.000	ST	VERSION 1	
38	5.321-579.0	Handle	1.000	ST		
39	5.110-863.0	Sleeve	1.000	ST		
	Item text1: 1.025-311.0 / -312.0 / -315.0 / -316.0 / -317.0 /-318.0 /-319.0 /-320.0 /-324.0 / -325.0					
39	5.110-797.0	Sleeve	1.000	ST		
	Item text1: / 1.025-351.0 /-352.0					
40	5.587-202.0	Valve housing	1.000	ST		
41	6.362-077.0	O-Ring seal 10 x 2,2 NBR 70	1.000	ST		
42	4.580-349.0	Valve complete chemistry	1.000	ST		
43	4.580-589.0	Valve with slot	1.000	ST		
44	5.443-474.0	Hose stem	1.000	ST		
45	7.306-155.0	Cylinder head screw M12x100 -8.8-A3E IS	4.000	ST		
46	4.550-607.0	Cylinder head complete only for replacem	1.000	ST		
47	5.110-853.0	Sleeve	2.000	ST		
49	6.362-547.0	O-Ring seal 20,0x1,5-NBR 70	2.000	ST		
50	7.306-043.0	Cylinder head screw M8x30 -8.8-A2E ISO	5.000	ST		
52	5.581-239.0	Valve seat	1.000	ST		
53	6.362-386.0	O-Ring seal 5,0 x 1,5-NBR 80	1.000	ST		
54	5.581-231.0	Valve seat	1.000	ST	VERSION 1	
55	6.362-703.0	O-Ring seal 6,0x1,5-NBR 70	1.000	ST	VERSION 1	

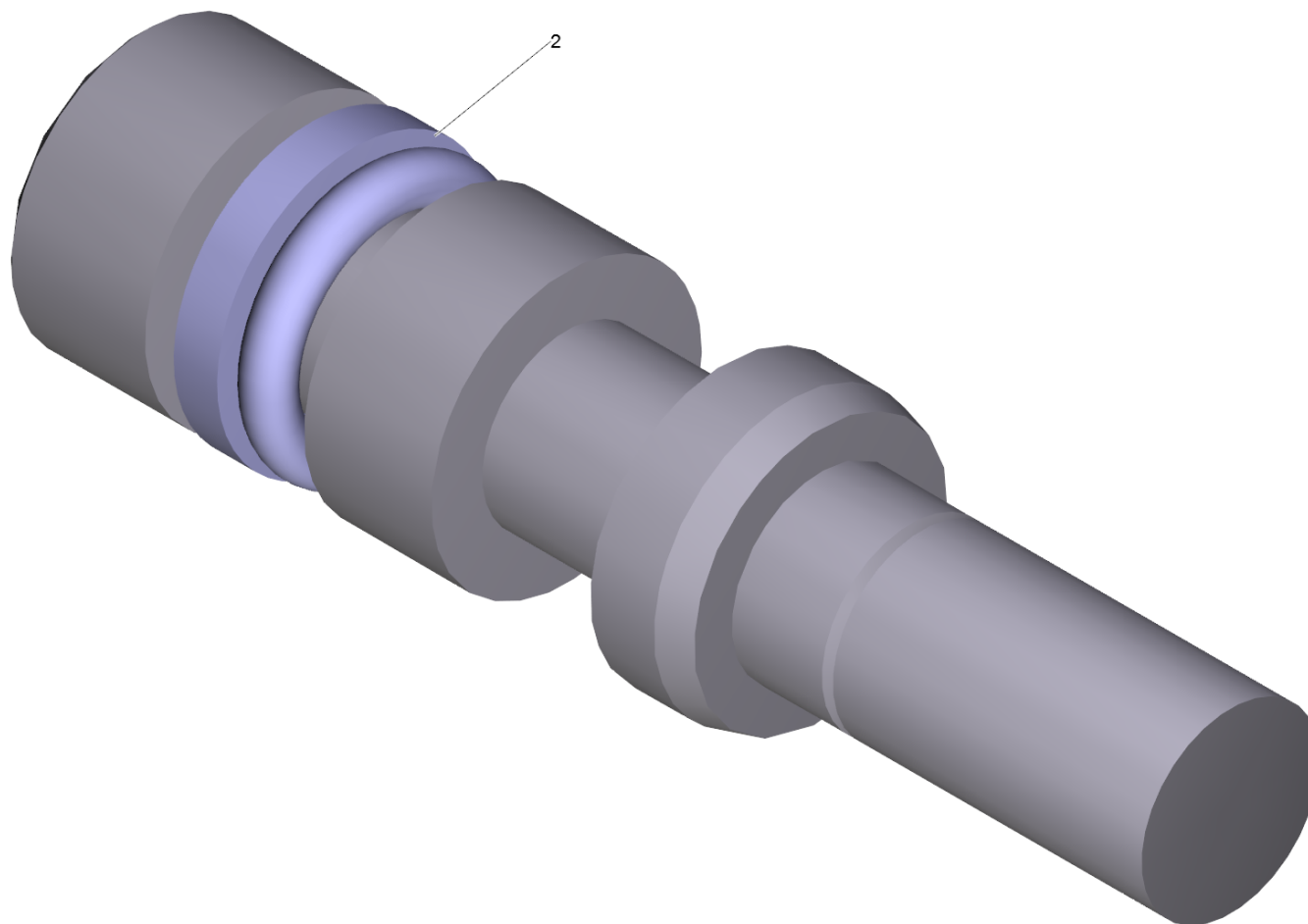
22 Cylinder head

POS	Article no.	Description	Quantity	Unit	Remark	Foot note text
56	4.580-727.0	Safety valve kpl. Ersatz	1.000	ST	pos.55 mitbestellen / order pos.55 also	VERSION 2
57	6.362-176.0	O-Ring seal 6,07x1,78	1.000	ST		
58	6.505-054.0	Pressure accumulator	1.000	ST		
100	2.883-913.0	Spare part set pump	1.000	ST		



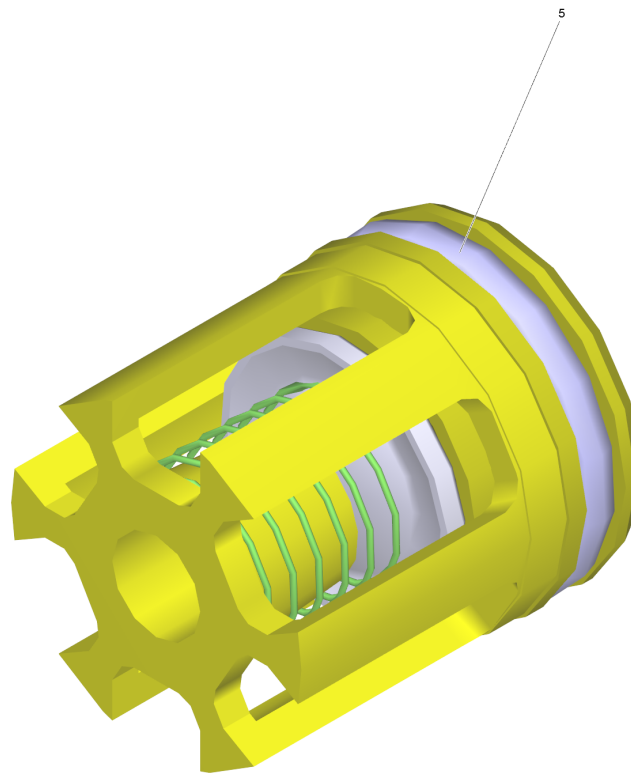
10 Piston complete only for replacement (4.553-197.0)

POS	Article no.	Description	Quantity	Unit
2	6.363-037.0	O-Ring seal complete 1ST.-R.	1.000	ST



25 Piston complete only for replacement (4.553-198.0)

POS	Article no.	Description	Quantity	Unit
2	6.362-468.0	O-Ring seal complete 1ST.-R.	1.000	ST

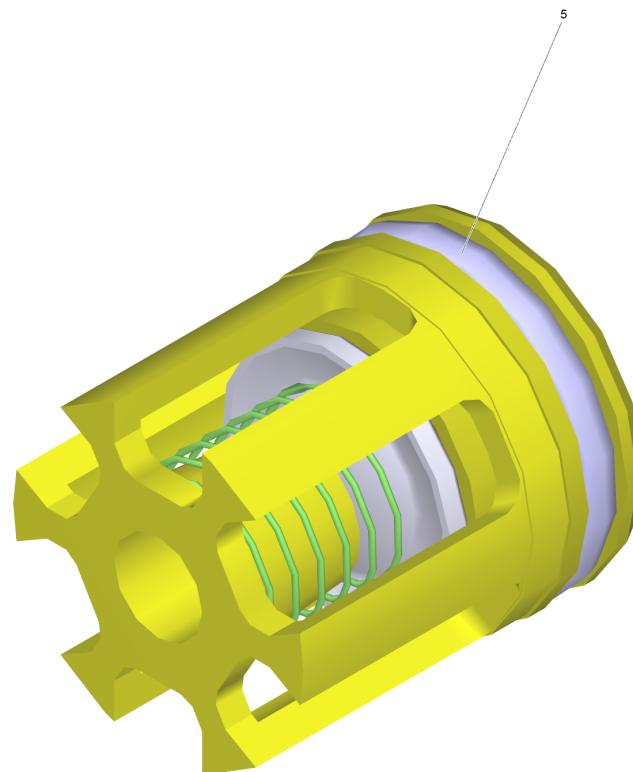


32 Valve (3 Stueck) (2.884-512.0)

POS	Article no.	Description	Quantity	Unit
5	6.363-003.0	O-Ring seal 13,0 X 2,0-NBR 90	1.000	ST

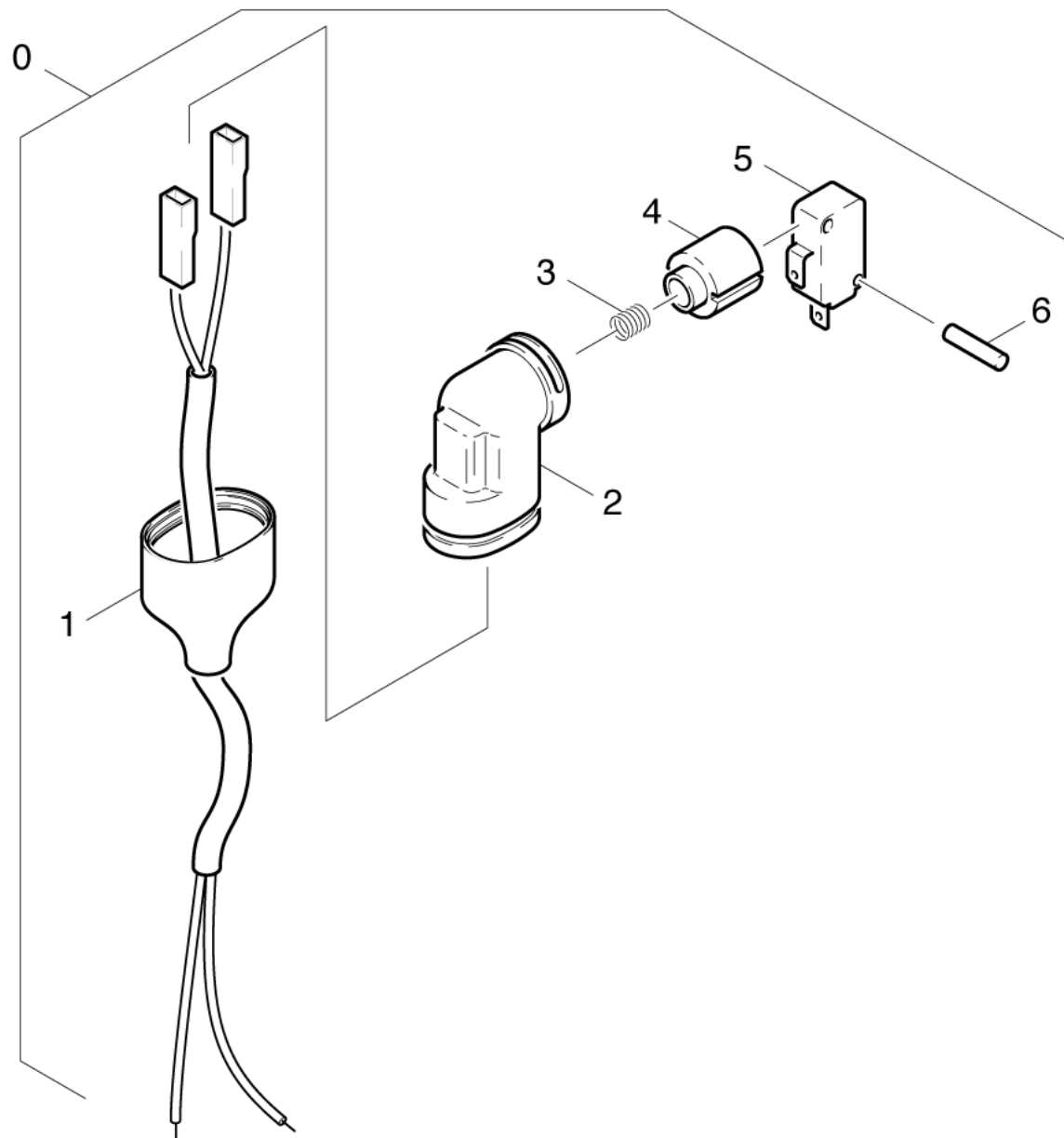
100 Spare part set pump (2.883-913.0)

POS	Article no.	Description	Quantity	Unit
10	4.580-262.0	Valve complete	1.000	ST
20	2.884-512.0	Valve (3 Stueck)	2.000	ST
30	4.580-349.0	Valve complete chemistry	1.000	ST
50	4.582-019.0	Valve disc complete	1.000	ST
60	5.034-494.0	Retaining bracket	2.000	ST
70	5.115-537.0	Washer	3.000	ST
80	5.115-538.0	Washer	3.000	ST
90	5.115-796.0	Washer	2.000	ST
100	5.584-122.0	Valve pin	1.000	ST
110	6.362-151.0	O-Ring d. 10 x 2 NBR 70	1.000	ST
120	6.362-169.0	O-Ring seal 12,0 X 2,0	1.000	ST
130	6.362-368.0	O-Ring seal complete /1ST.-R.	2.000	ST
140	6.362-468.0	O-Ring seal complete 1ST.-R.	1.000	ST
150	6.362-481.0	O-Ring seal 14,0 x 2,0 NBR 80	6.000	ST
160	6.362-092.0	O-Ring seal 36,0 X 2,0-NBR 70	3.000	ST
170	6.362-547.0	O-Ring seal 20,0x1,5-NBR 70	2.000	ST
180	6.362-796.0	O-Ring seal 107,62X 2,62	1.000	ST
190	6.363-003.0	O-Ring seal 13,0 X 2,0-NBR 90	6.000	ST
200	6.365-052.0	Grooved ring 20X28X6/8	3.000	ST
210	6.365-053.0	Compact seal 20X30X6	3.000	ST
220	6.365-330.0	Grooved ring	3.000	ST



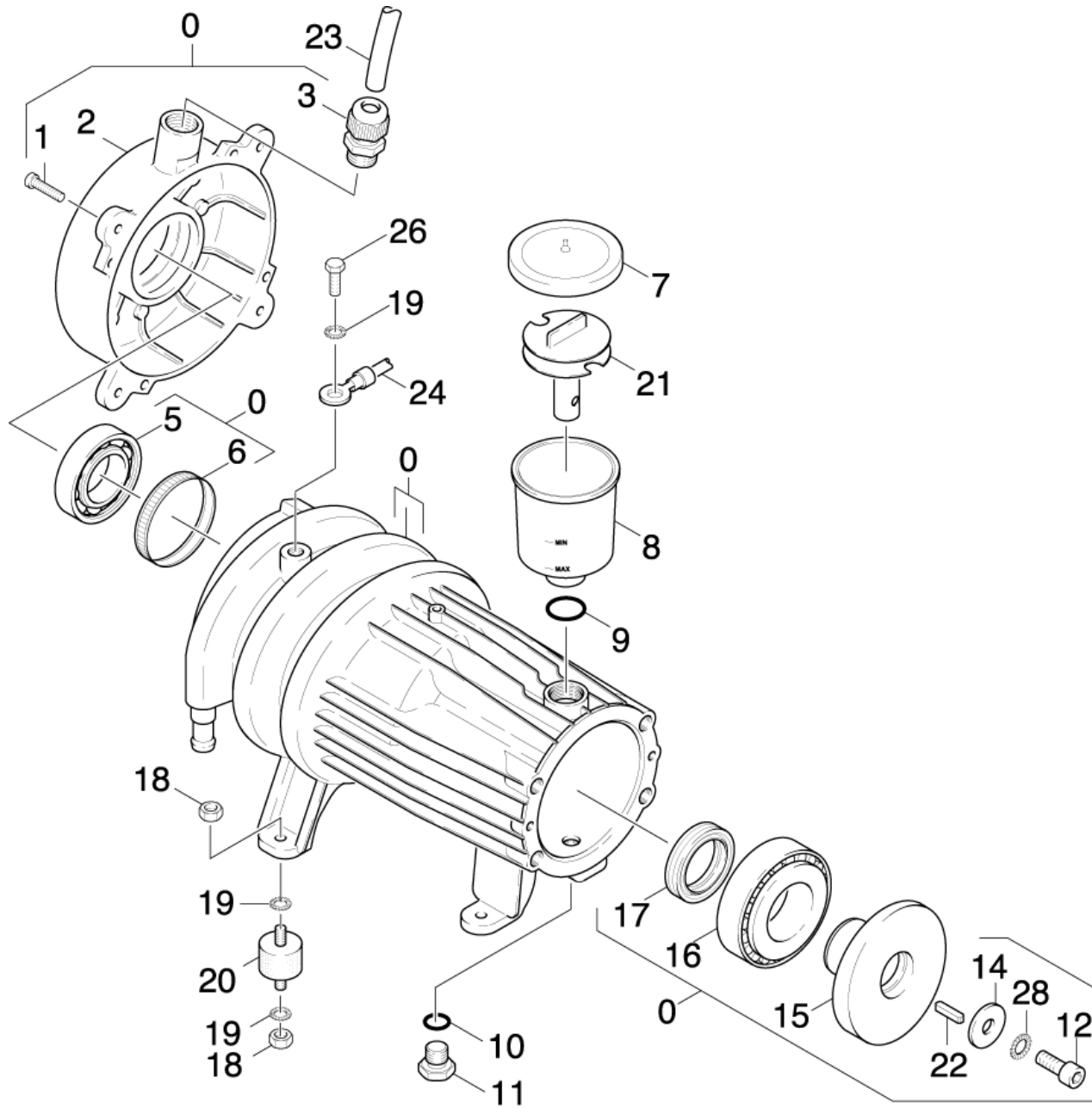
20 Valve (3 Stueck) (2.884-512.0)

POS	Article no.	Description	Quantity	Unit
5	6.363-003.0	O-Ring seal 13,0 X 2,0-NBR 90	1.000	ST



23 Switch

POS	Article no.	Description	Quantity	Unit
0	4.744-001.0	Switch complete -nur fuer Ersatz-	2.000	ST
1	6.648-111.0	Control cable	1.000	ST
2	5.042-860.0	Holder	1.000	ST
3	5.332-322.0	Spring	1.000	ST
4	5.053-051.0	Bracket	1.000	ST
5	6.631-807.0	Micro switch	1.000	ST
6	7.314-664.0	Straight grooved pin 3,0x20-KU ISO 8740	1.000	ST

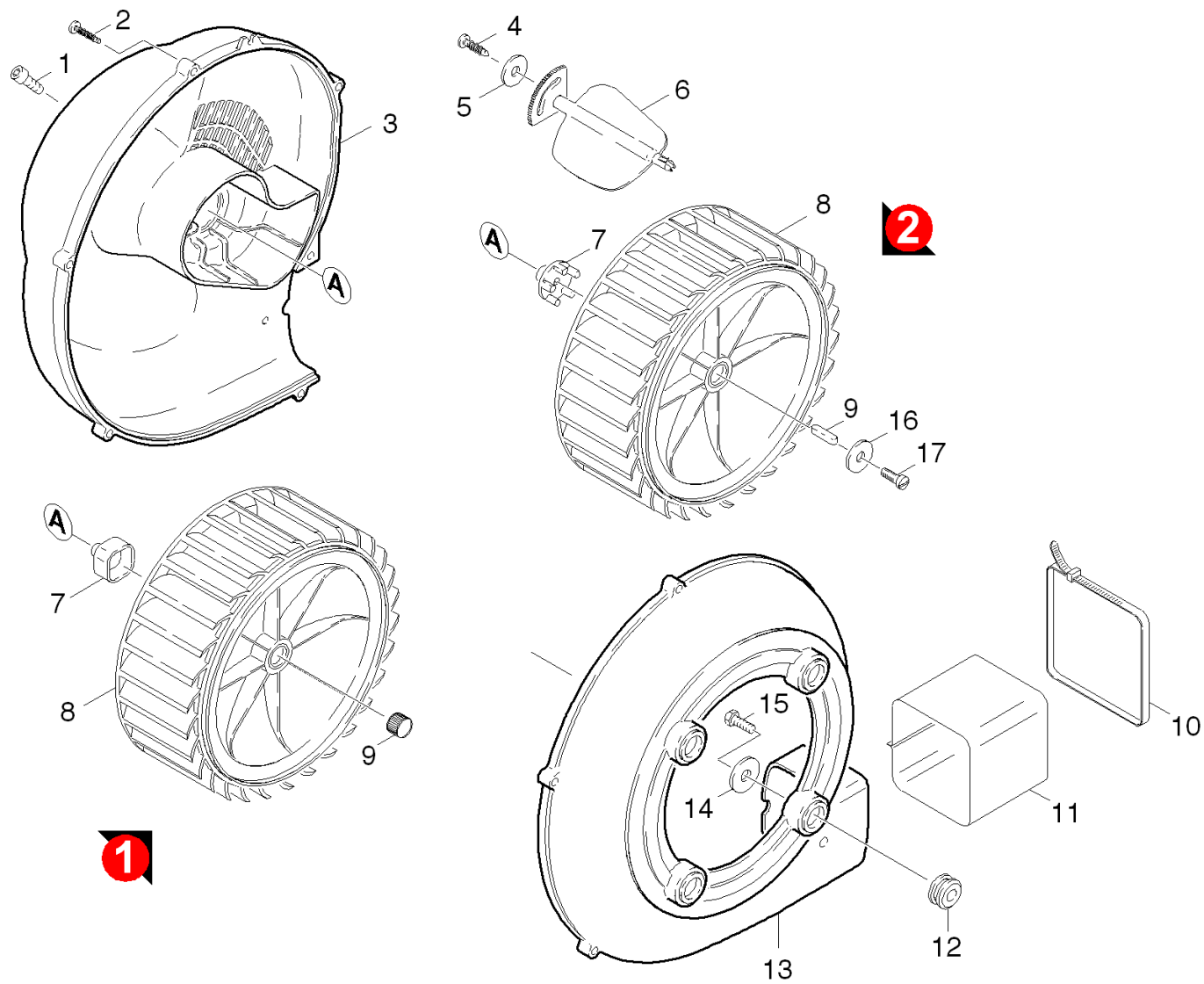


30 Motor

POS	Article no.	Description	Quantity	Unit	Foot note text
0	4.623-770.0	Motor complete only for replacement	1.000	ST	FOR BLOWER (GR. 4.0) VERSION 2
		Item text1: /1.025-311.0 / -317.0 / -325.0			
0	4.623-771.0	Motor complete only for replacement	1.000	ST	FOR BLOWER (GR. 4.0) VERSION 2
		Item text1: 1.025-312.0			
0	4.623-825.0	Motor complete only for replacement	1.000	ST	
		Item text1: /1.025-351.0 /-352.0			
0	4.623-769.0	Motor complete only for replacement	1.000	ST	FOR BLOWER (GR. 4.0) VERSION 2
		Item text1: /1.025-315.0 / -316.0			
0	4.623-768.0	Motor complete only for replacement	1.000	ST	FOR BLOWER (GR. 4.0) VERSION 2
		Item text1: /1.025-318.0 / -320.0			
0	4.623-685.0	Motor complete	1.000	ST	FOR BLOWER (GR. 4.0) VERSION 1
		Item text1: / 1.025-318.0 / -319.0 / -320.0			
		Item text2: / -324.0			
0	4.623-767.0	Motor complete only for replacement	1.000	ST	FOR BLOWER (GR. 4.0) VERSION 2
		Item text1: /1.025-319.0 / -324.0			
0	4.623-205.0	Motor complete	1.000	ST	FOR BLOWER (GR. 4.0) VERSION 1
		Item text1: / 1.025-311.0 / -315.0 / -316.0			
		Item text2: / -317.0			
1	7.303-048.0	Screw M6x20 -St-R3R (In6Rd)	4.000	ST	
2	5.063-452.0	Cover	1.000	ST	
3	6.641-356.0	Cable gland PG16	1.000	ST	
5	6.401-253.0	Ball bearing 6305-2Z	1.000	ST	
6	6.343-010.0	Tolerance ring 62x10	1.000	ST	
7	5.063-189.0	Cover	1.000	ST	
8	5.070-048.0	Box	1.000	ST	
9	6.362-168.0	O-Ring seal 22,3 X 2,4-NBR 70	1.000	ST	
10	6.363-273.0	O-Ring seal 11,0 x 2,0	1.000	ST	
11	5.411-100.0	Screw plug	1.000	ST	
12	7.306-041.0	Cylinder head screw M8x20 -8.8-A2E ISO	1.000	ST	
14	5.115-565.0	Washer	1.000	ST	
15	5.120-263.0	Wobble plate	1.000	ST	
		Item text1: / 1.025-318.0 / -320.0			
15	5.120-272.0	Wobble plate	1.000	ST	

30 Motor

POS	Article no.	Description	Quantity	Unit	Foot note text
	Item text1: / 1.025-319.0 / -324.0				
15	5.120-262.0	Wobble plate	1.000	ST	
	Item text1: / 1.025-312.0 / -351.0 / -352.0				
15	4.120-241.0	Wobble plate -nur für Ersatz-	1.000	ST	
	Item text1: / 1.025-311.0 / -315.0 / -316.0				
	Item text2: / -317.0 / -325.0				
16	6.401-225.3	Taper roller bearing 41	1.000	ST	
17	7.367-009.0	Radial shaft seal ring A35x52x7-NBR DIN	1.000	ST	
18	7.311-004.0	Hexagon nut M8 -8-A3E ISO 4032	8.000	ST	
19	7.312-166.0	Toothed lock washer A8,4-FSt-A3E DIN 67	9.000	ST	
20	6.339-060.0	Rubber buffer M8	4.000	ST	
21	5.030-389.0	Moulded part	1.000	ST	
22	7.318-035.0	Parallel key 8x7x25 -C45K DIN 6885-1	1.000	ST	
23	6.642-011.0	Insulating hose 10	2.000	M	TO ORDER AS CUT GOODS
24	4.820-430.0	Cable green/yellow 1,5mm ² x450mm	1.000	ST	
26	6.303-031.0	Screw M8x16-ST-R2R DIN 7500-1	1.000	ST	
28	7.312-159.0	Toothed lock washer A8,4-FST-PH DIN 679	1.000	ST	

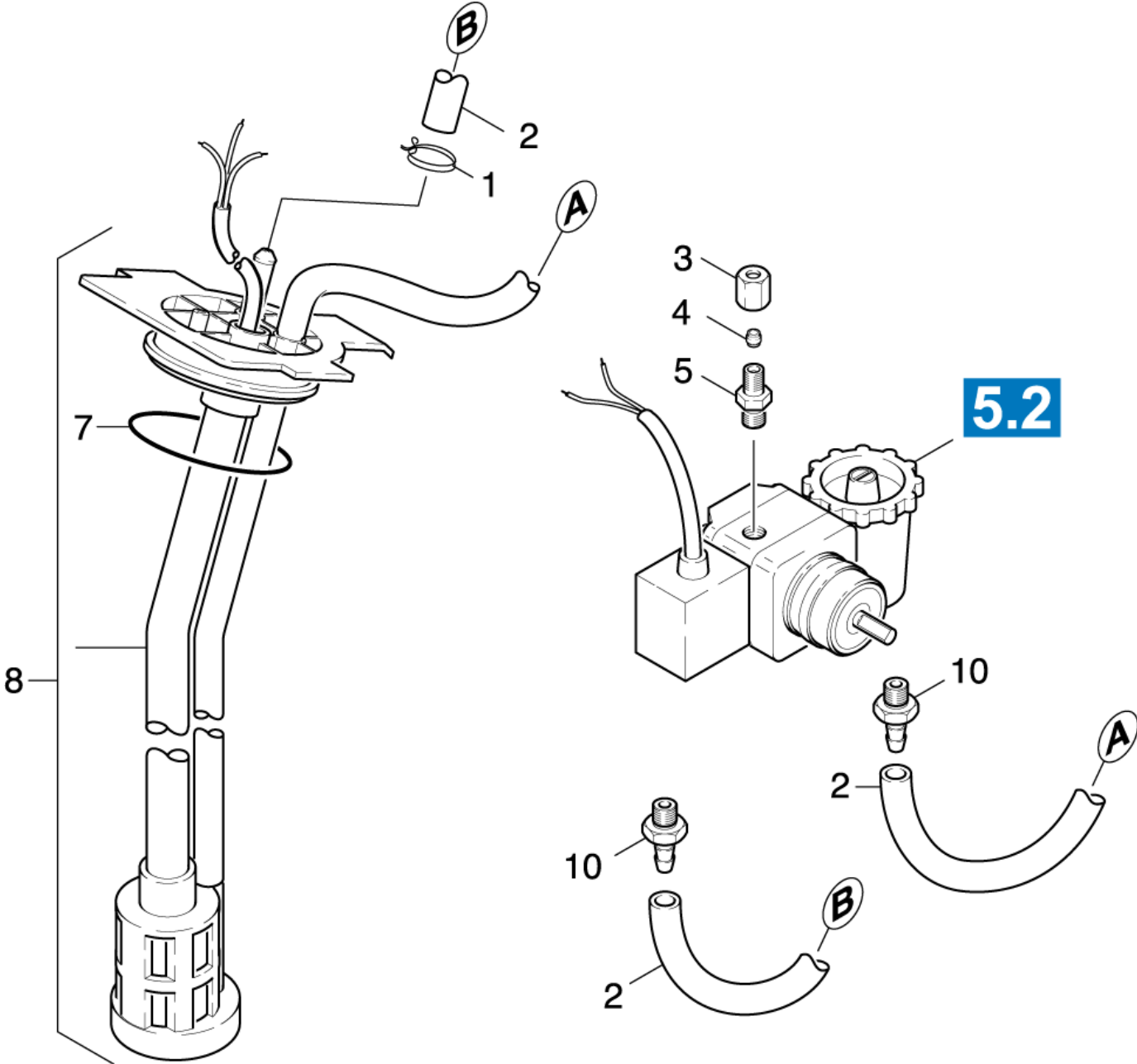


40 Blower

POS	Article no.	Description	Quantity	Unit	Foot note text
1	7.306-090.0	Screw M6x16 -8.8-P2R (In6Rd)	1.000	ST	
2	7.303-084.0	Screw 4x25 -10.9-R2R (K-In6Rd)	6.000	ST	
3	5.063-457.0	Cover blower	1.000	ST	
4	7.303-077.0	Sheet metal screw ST4,8X16-ST-R2R (IN6R	1.000	ST	
5	7.312-278.0	Washer 5-200HV-A2E ISO7093-1	1.000	ST	
6	5.606-005.0	Air flap	1.000	ST	
7	5.471-097.0	Coupler fuel pump	1.000	ST	VERSION 2
7	5.471-060.0	Coupling element	1.000	ST	VERSION 1
8	5.600-080.0	Blower wheel with groove	1.000	ST	VERSION 2
8	5.600-045.0	Blower wheel	1.000	ST	VERSION 1
9	7.318-058.0	Parallel key 4x4x20-1.4301 DIN 6885	1.000	ST	VERSION 2
9	6.343-027.0	Tolerance ring D17X16	1.000	ST	VERSION 1
10	6.388-608.0	Tightening strap	2.000	ST	
11	5.178-026.0	Cloth collar	1.000	ST	
12	5.379-019.0	Rubber ring	4.000	ST	
13	5.605-168.0	Housing blower	1.000	ST	
14	7.312-260.0	Washer 6 -100HV-A3E ISO 7094	4.000	ST	
15	7.303-048.0	Screw M6x20 -St-R3R (In6Rd)	4.000	ST	
16	7.312-264.0	Washer 5-100HV-A3E ISO 7094	1.000	ST	VERSION 2
17	7.306-071.0	Screw M5x10 -8.8-R2R (In6Rd)	1.000	ST	VERSION 2

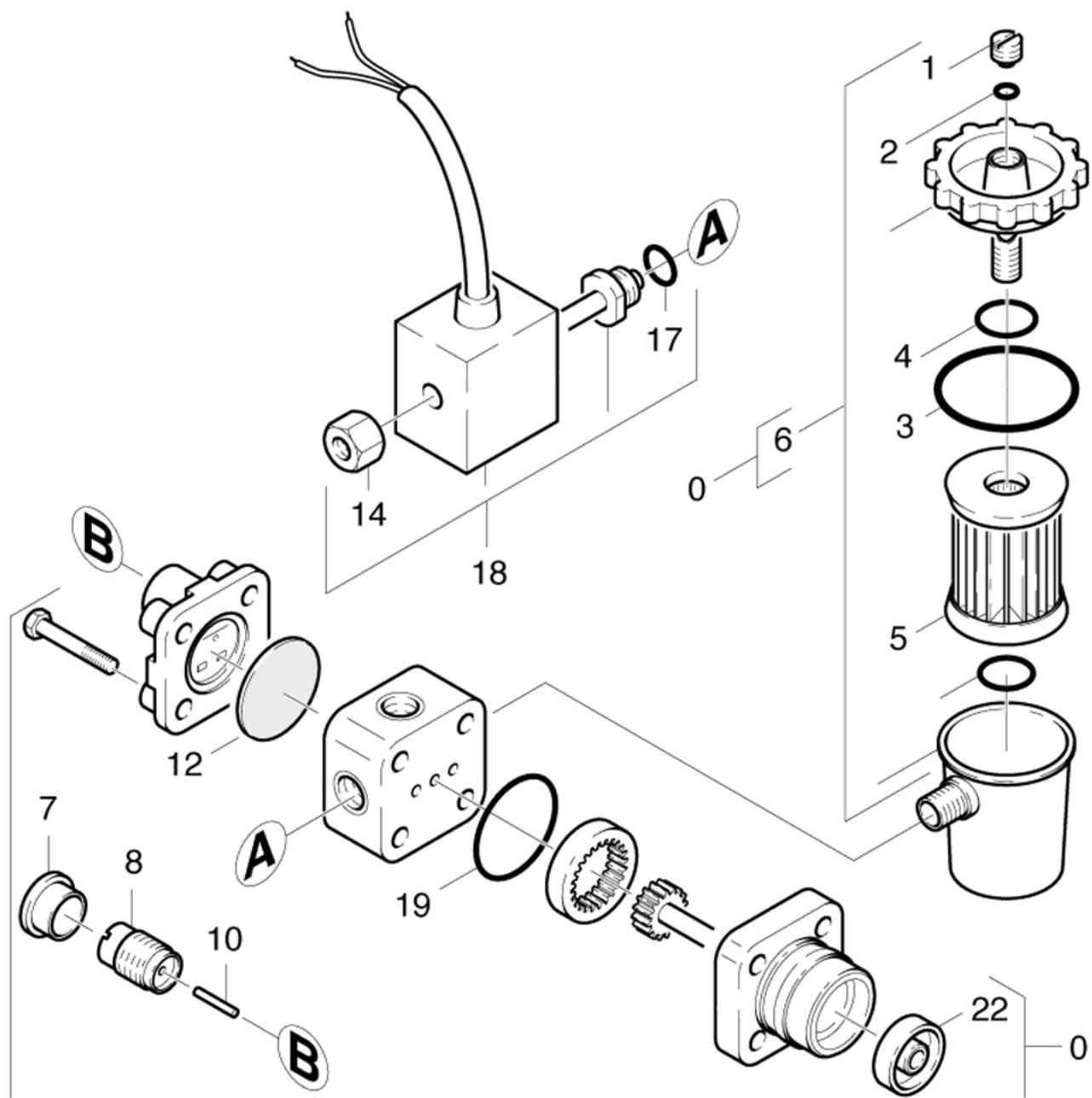
50 Fuel system

POS	Description	Quantity	Unit
51	Fuel pump aspiration	1.000	ST
52	Fuel pump	1.000	ST



51 Fuel pump aspiration

POS	Article no.	Description	Quantity	Unit	Foot note text
1	6.389-768.0	Hose clip	1.000	ST	
2	6.389-534.0	Hose	1.000	M	TO ORDER AS CUT GOODS
3	6.389-262.0	Union nut A 4-LL	1.000	ST	
4	6.389-263.0	Cutting ring d.4	1.000	ST	
5	6.389-261.0	Screw union	1.000	ST	
7	6.362-855.0	O-Ring seal 56,0 X 4,0	1.000	ST	
8	4.421-631.0	Pipelines BR.ST.	1.000	ST	
10	6.472-927.0	Hose stem only for replacement	2.000	ST	

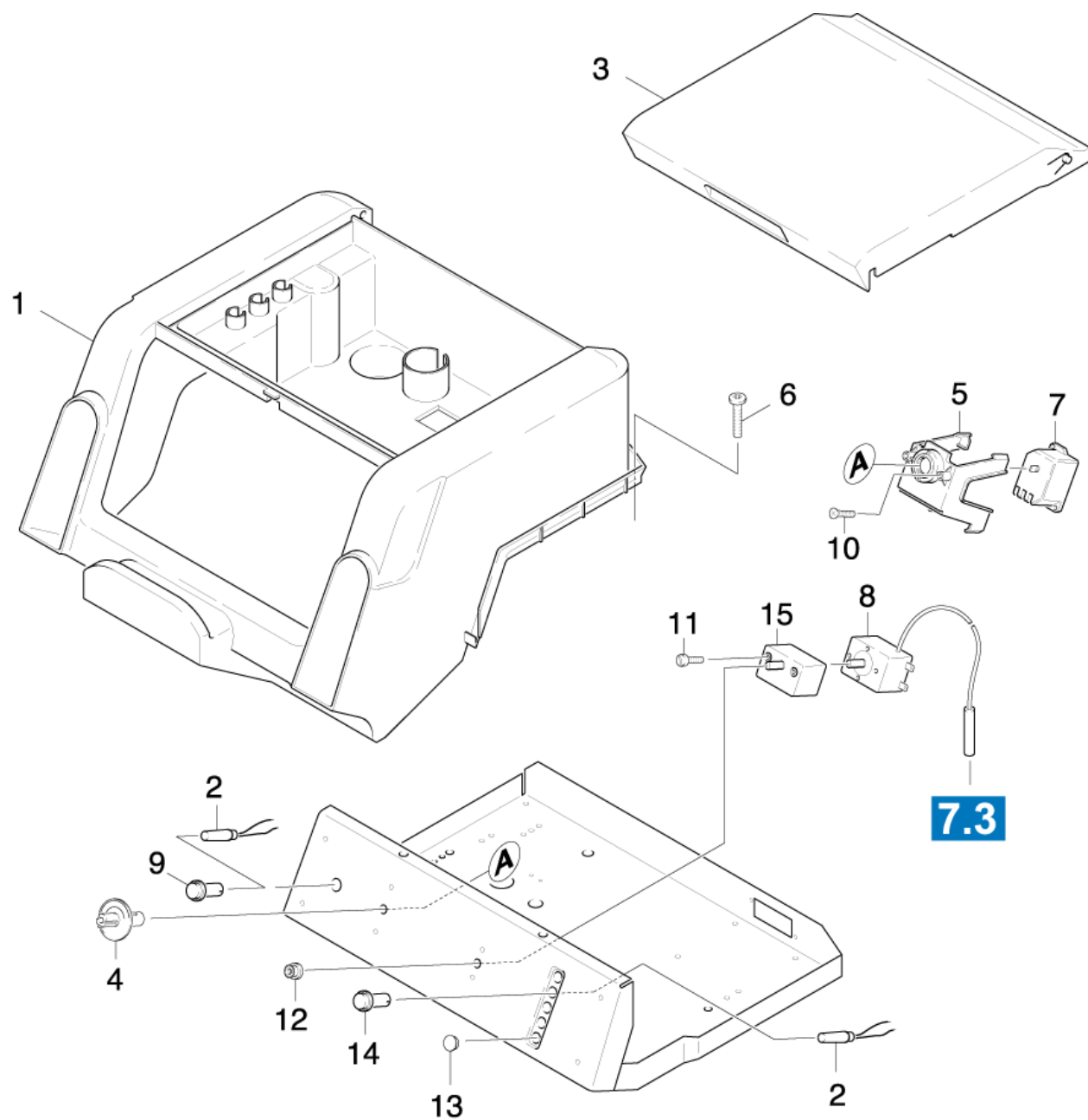


52 Fuel pump

POS	Article no.	Description	Quantity	Unit
0	6.472-925.0	Pump oil burner only for replacement	1.000	ST
1	6.472-107.0	Screw ventilation	1.000	ST
2	6.472-106.0	O-Ring seal 5,0 X 1,8	1.000	ST
3	6.472-111.0	O-Ring seal 32,0 X 1,6	1.000	ST
4	6.472-112.0	O-Ring seal 10,0 x 2,4 NBR 70	1.000	ST
5	6.472-113.0	Filter cartridge	1.000	ST
6	6.472-123.0	Filter housing complete	1.000	ST
7	6.472-122.0	Protecting cap	1.000	ST
8	6.472-109.0	Housing spring	1.000	ST
10	6.472-108.0	Pin	1.000	ST
12	6.472-128.0	Diaphragm	1.000	ST
14	6.472-340.0	Knurled nut	1.000	ST
17	6.472-125.0	O-Ring seal 12,0 X 1,5	1.000	ST
18	6.472-411.0	Solenoid valve	1.000	ST
19	6.472-120.0	O-Ring seal 28,5 X 1,6	1.000	ST
22	6.472-105.0	Seal axle	1.000	ST

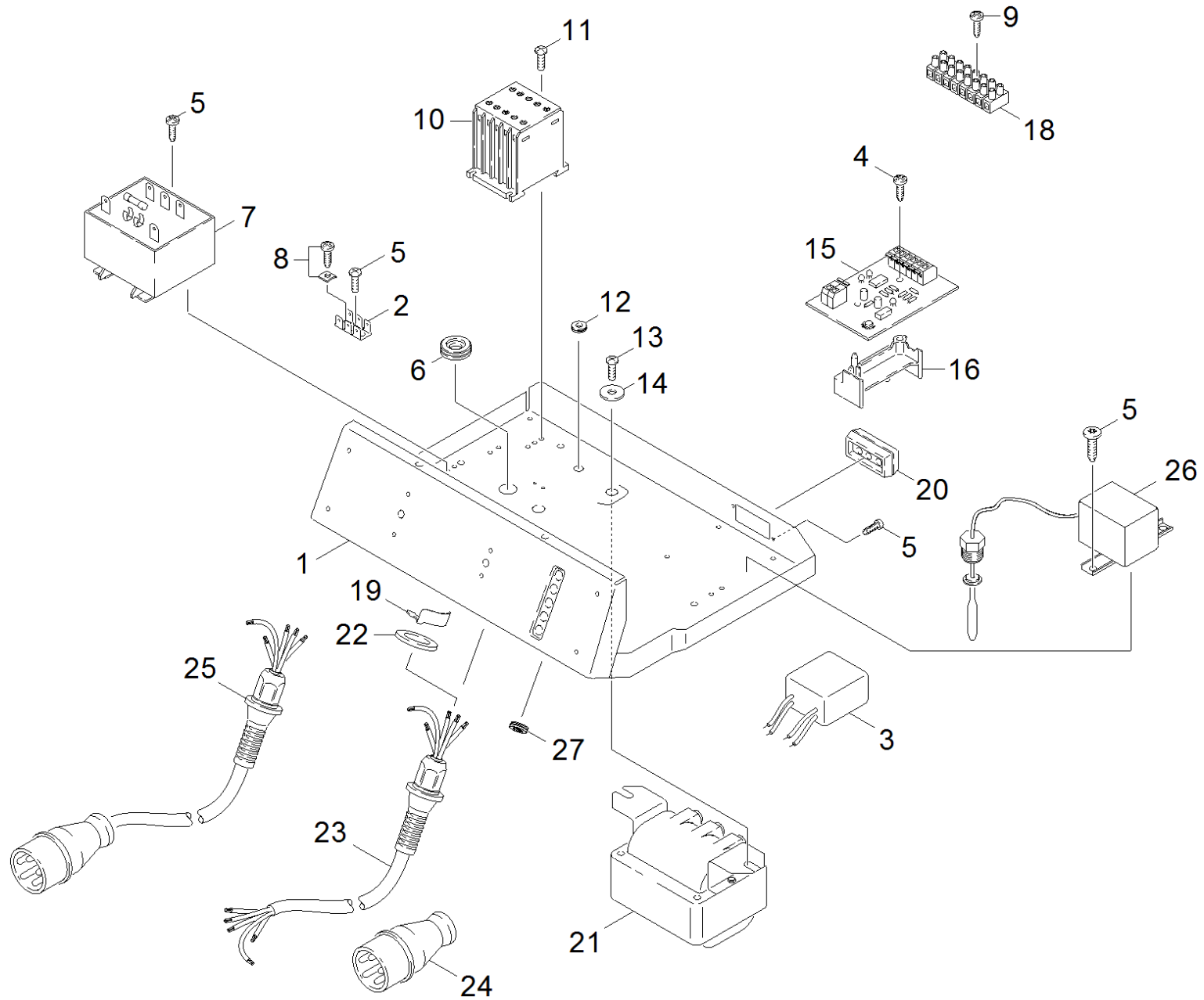
60 Electric control box

POS	Description	Quantity	Unit
61	Top part	1.000	ST
62	Bottom part	1.000	ST



61 Top part

POS	Article no.	Description	Quantity	Unit
1	5.067-198.0	Cover	1.000	ST
2	4.651-026.0	Pilot lamp only for replacement	4.000	ST
3	5.031-914.0	Flap	1.000	ST
4	5.100-335.0	Shaft switch CONDOR	1.000	ST
5	5.044-412.0	Holder (CONDOR-SCHAER)	1.000	ST
6	7.303-045.0	Screw M5x55 -St-ZNBHL (In6Rd)	2.000	ST
7	6.631-196.0	Motor protecting switch	1.000	ST
	Item text1: / 1.025-318.0 / -319.0 / -320.0			
	Item text2: / -324.0			
7	6.631-428.0	Motor protecting switch -22-27A	1.000	ST
	Item text1: / 1.025-311.0 / -312.0 / -317.0 / -325.0			
7	6.631-190.0	Motor protecting switch	1.000	ST
	Item text1: 1.025-315.0 /-316.0 /-351.0 /-352.0			
8	6.686-414.0	Thermostat	1.000	ST
	Item text1: 1.025-351.0 /-352.0			
8	6.686-173.0	Thermostat	1.000	ST
9	6.651-421.0	Lens housing green	1.000	ST
10	7.303-125.0	Countersunk screw 4x16 -10.9-R2R (In6Rd)	2.000	ST
11	7.306-236.0	Screw M4x6 -8.8 (In6Rd)	2.000	ST
12	5.365-152.0	Profile gasket	1.000	ST
13	6.368-076.0	Ornamental hub cap D10/D12	2.000	ST
14	6.651-316.0	Lens housing red	3.000	ST
15	6.630-368.0	Switch	1.000	ST



62 Bottom part

POS	Article no.	Description	Quantity	Unit
1	5.049-551.0	Sheet metal component	1.000	ST
	Item text1: / 1.025-315.0 / -316.0 / -351.0 / -352.0			
1	5.049-657.0	Sheet metal component electric control b	1.000	ST
	Item text1: / 1.025-311.0 / -312.0 / -317.0 / -318.0			
	Item text2: / -319.0 / -320.0 / -324.0 / -325.0			
2	6.641-270.0	Plug	1.000	ST
3	6.661-229.0	Interference suppressor	1.000	ST
4	7.303-035.0	Screw M4x30 -St-R2R (In6Rd)	1.000	ST
5	7.303-030.0	Screw M4x8 -St-P2R (In6Rd)	6.000	ST
6	5.365-158.0	Profile gasket	1.000	ST
7	6.622-241.0	Control transformer 400V	1.000	ST
	Item text1: / 1.025-315.0 / -316.0 / -351.0 / -352.0			
7	4.622-018.0	Control transformer -nur für Ersatz-	1.000	ST
	Item text1: / 1.025-311.0 / -312.0 / -317.0 / -318.0			
	Item text2: / -319.0 / -320.0 / -324.0 / -325.0			
8	6.303-317.0	Screw M4x10-St-A2G	2.000	ST
9	7.303-501.0	Self-tapping screw M3x20-ST-A2E DIN 7500	4.000	ST
10	6.632-356.0	Contacteur LC1-D18 B7	1.000	ST
	Item text1: 1.025-311.0 /-312.0 /-317.0 /-318.0			
	Item text2: /-319.0 /-320.0 /-324.0 /-325.0 /-351.0			
10	4.632-002.0	Contacteur -nur fuer Ersatz-	1.000	ST
	Item text1: / 1.025-315.0 / -316.0			
11	7.303-033.0	Screw M4x16-ST-P2R (KOMBI-IN6RD)	2.000	ST
12	6.641-422.0	Wire protecting sleeve	1.000	ST
13	7.303-328.0	Screw M5x8 -St-flZn/nc480h/C (In6Rd)	1.000	ST
14	7.312-260.0	Washer 6 -100HV-A3E ISO 7094	1.000	ST
15	6.682-306.0	Circuit board burner	1.000	ST
	Item text1: / 1.025-325.0			
15	6.633-509.0	Circuit board pulse generator *j	1.000	ST
	Item text1: 1.025-318.0 / -319.0 / -320.0 / -324.0			
15	4.633-058.0	Pulse generator only for replacement	1.000	ST
	Item text1: 1.025-311.0 / -312.0 / -315.0 / -316.0 /			
	Item text2: -317.0 / -351.0 / -352.0			

62 Bottom part

POS	Article no.	Description	Quantity	Unit
16	5.057-043.0	Support	1.000	ST
18	6.643-249.0	Strip terminal	1.000	ZST
19	6.343-186.0	Locking ring	1.000	ST
	Item text1: / 1.025-311.0 / -312.0 / -317.0 / -318.0			
	Item text2: / -319.0 / -320.0 / -324.0 / -325.0			
19	6.343-170.0	Retaining clip	1.000	ST
	Item text1: / 1.025-315.0 / -316.0 / -351.0 / -352.0			
20	5.030-931.0	Moulded part	1.000	ST
21	6.622-167.0	Ignition transformer 230V	1.000	ST
	Item text1: 1.025-312.0			
21	2.883-791.0	Spare parts set ignition transformer	1.000	ST
	Item text1: / 1.025-315.0 / -316.0 / -351.0 / -352.0			
21	4.622-033.0	Ignition transformer only for replacemen	1.000	ST
	Item text1: / 1.025-311.0 / -317.0 / -318.0			
	Item text2: / -319.0 / -320.0 / -324.0 / -325.0			
22	5.115-921.0	Washer	1.000	ST
	Item text1: / 1.025-311.0 / -312.0 / -317.0 / -318.0			
	Item text2: / -319.0 / -320.0 / -324.0 / -325.0			
22	5.115-255.0	Washer	1.000	ST
	Item text1: / 1.025-315.0 / -316.0 / -351.0 / -352.0			
23	6.647-250.0	Cable with rubber bushing	1.000	ST
	Item text1: / 1.025-315.0 / -316.0 / -352.0			
23	6.648-514.0	Cable complete .4X2,5	1.000	ST
	Item text1: / 1.025-311.0 / -312.0 / -317.0 / -325.0			
23	6.647-564.0	Cable with rubber bushing	1.000	ST
	Item text1: / 1.025-318.0 / -319.0 / -320.0			
	Item text2: / -324.0			
24	6.646-356.0	Plug CEE-32A	1.000	ST
	Item text1: / 1.025-311.0 / -312.0 / -317.0 /			
24	6.646-266.0	Coupler plug	1.000	ST
	Item text1: / 1.025-315.0 / -316.0			
25	6.648-914.0	Cable complete 4x1,5	1.000	ST
	Item text1: 1.025-351.0			

62 Bottom part

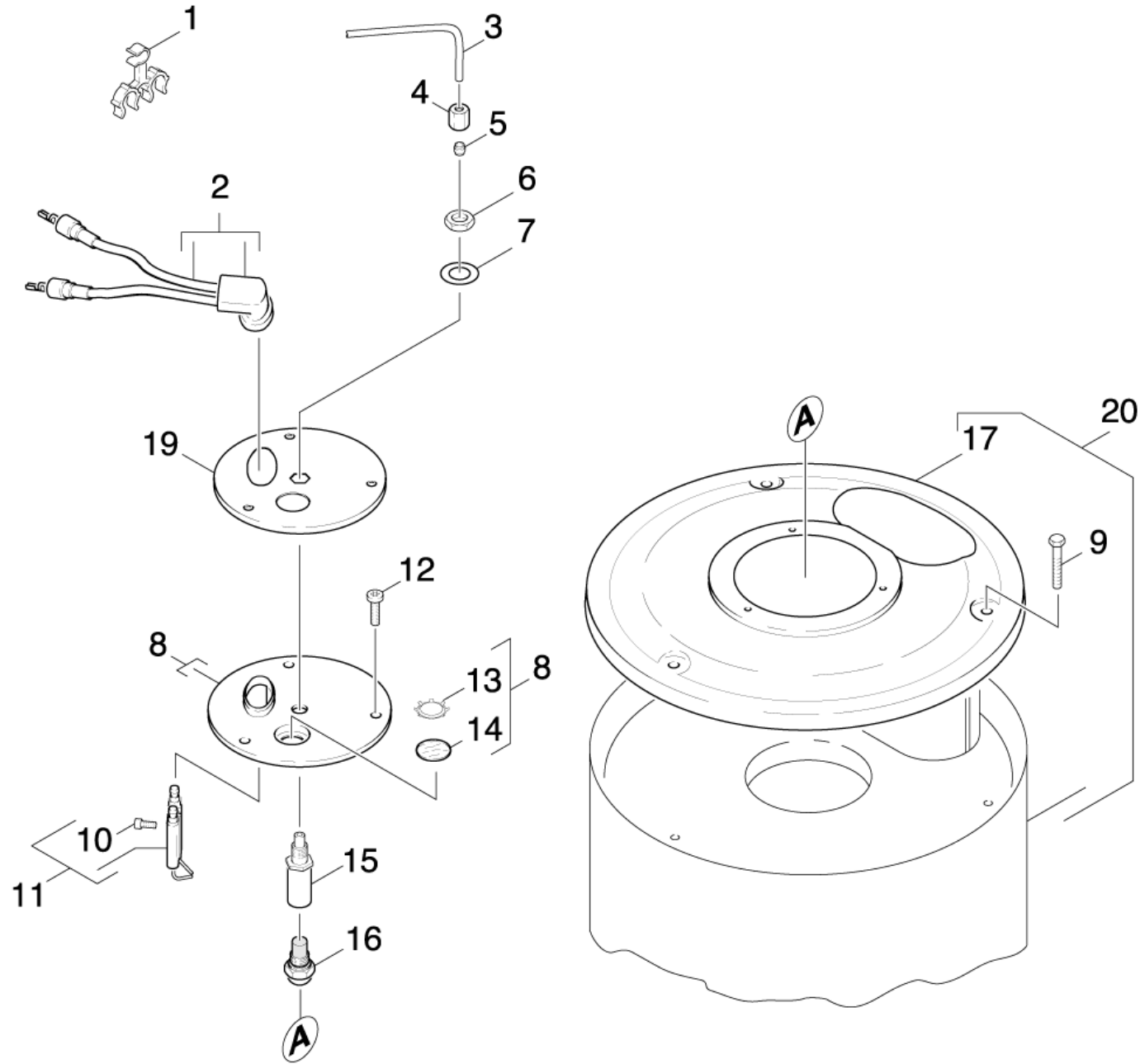
POS	Article no.	Description	Quantity	Unit
26	2.885-260.0	Conversion kit temperature limiter	1.000	ST
27	5.365-109.0	Profile gasket	1.000	ST

21 Spare parts set ignition transformer (2.883-791.0)

POS	Article no.	Description	Quantity	Unit
10	4.821-071.0	IGNITION LEAD (HDS 557CI)	1.000	ST
20	6.622-157.0	Ignition transformer 400V 50Hz	1.000	ST
30	6.647-518.0	Ignition cable	1.000	ST

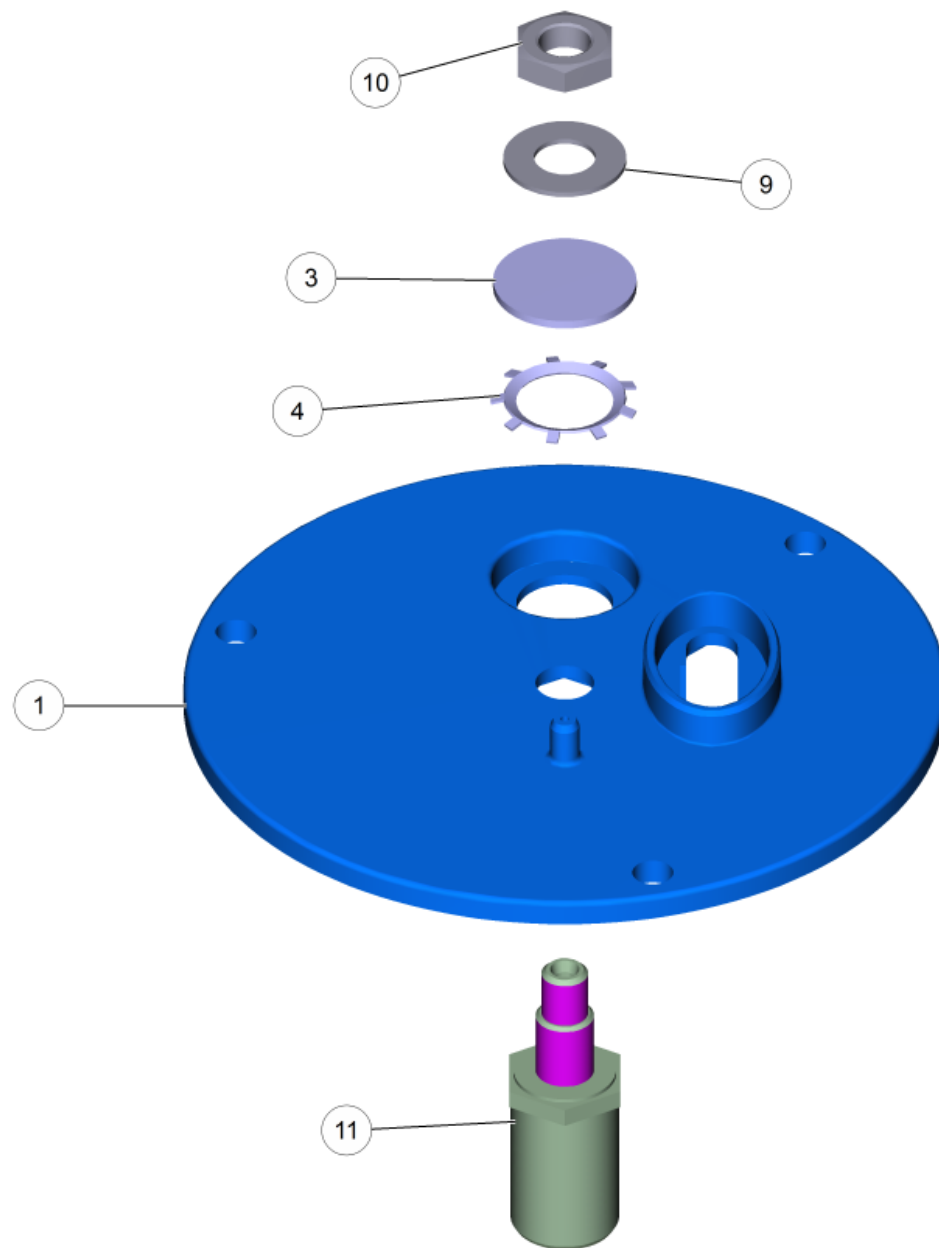
70 Flow heater

POS	Description	Quantity	Unit
71	Burner cover	1.000	ST
72	Heating coil	1.000	ST
73	Burner bottom	1.000	ST



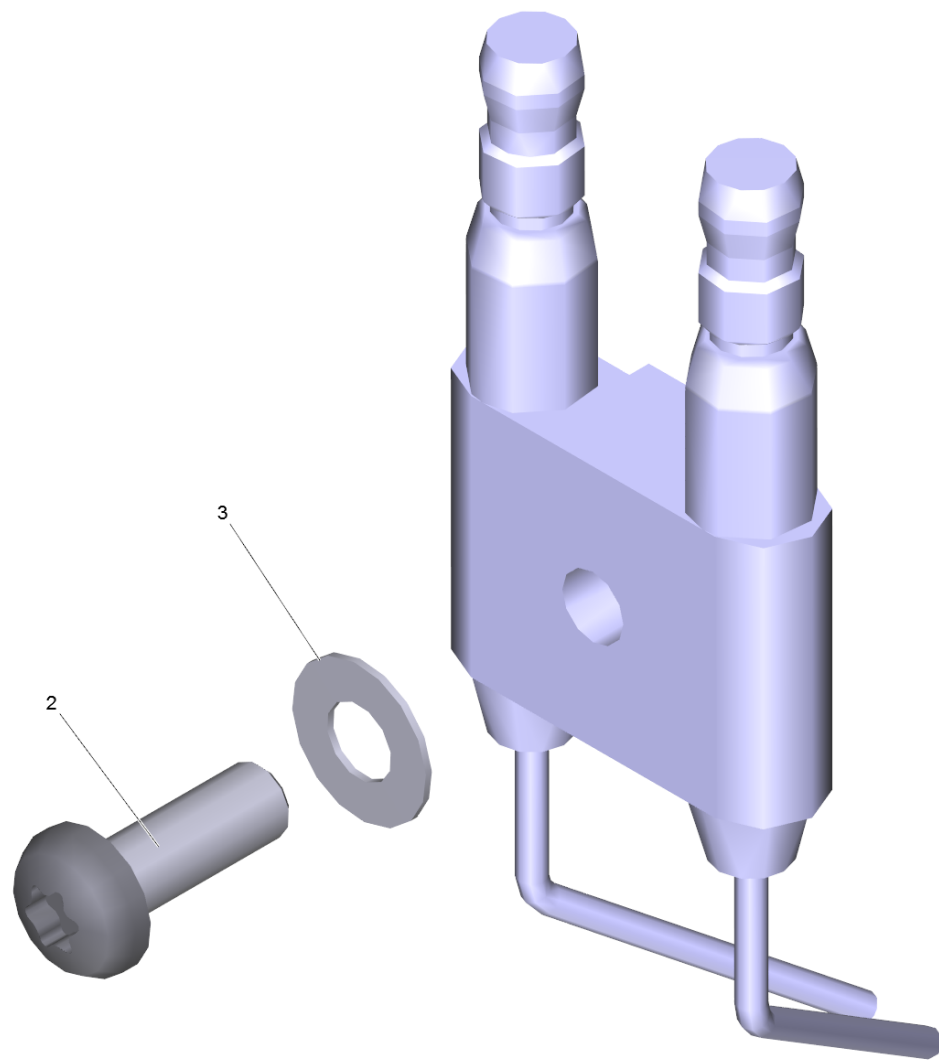
71 Burner cover

POS	Article no.	Description	Quantity	Unit
1	6.647-527.0	Holder	1.000	ST
2	4.821-071.0	IGNITION LEAD (HDS 557CI)	1.000	ST
3	5.423-187.0	Conduit fuel	1.000	ST
4	6.389-262.0	Union nut A 4-LL	1.000	ST
5	6.389-263.0	Cutting ring d.4	1.000	ST
6	7.311-101.0	Hexagon nut M10x1 -04-A2E ISO 8675	1.000	ST
7	7.312-302.0	Spring washer B10-FST-A2E DIN 137	1.000	ST
8	4.654-218.0	Cover plate pressure boiler	1.000	ST
9	6.303-258.0	Self-tapping screw	3.000	ST
10	7.306-217.0	Screw M5x14 -8.8-R2R (In6Rd)	1.000	ST
11	2.638-974.0	Conversion kit ignition electrode	1.000	ST
12	7.303-038.0	Screw M5x12 -St-P2R (In6Rd)	3.000	ST
13	6.343-165.0	Serrated ring	1.000	ST
14	6.278-018.0	Glass pane	1.000	ST
15	5.667-055.0	Nozzle holder	1.000	ST
16	6.415-775.0	Burner nozzle	1.000	ST
	Item text1: 1.025-351.0 /-352.0			
16	6.415-682.0	Nozzle 1,35GPH	1.000	ST
	Item text1: / 1.025-311.0 / -312.0 / -315.0 / -316.0			
	Item text2: / -317.0 /-325.0			
16	6.415-641.0	Nozzle	1.000	ST
	Item text1: / 1.025-318.0 / -319.0 / -320.0			
	Item text2: / -324.0			
17	5.654-066.0	Cover plate pressure boiler external	1.000	ST
19	5.654-059.0	Cover pressure boiler	1.000	ST
20	4.652-137.0	Outer covering	1.000	ST
	Item text1: 1.025-351.0 /-352.0			
20	4.652-131.0	Vessel mantel complete	1.000	ST
	Item text1: 1.025-311.0/-315.0/-316.0/-317.0/-318.0			
	Item text2: /-319.0/-320.0/-324.0/-325.0			



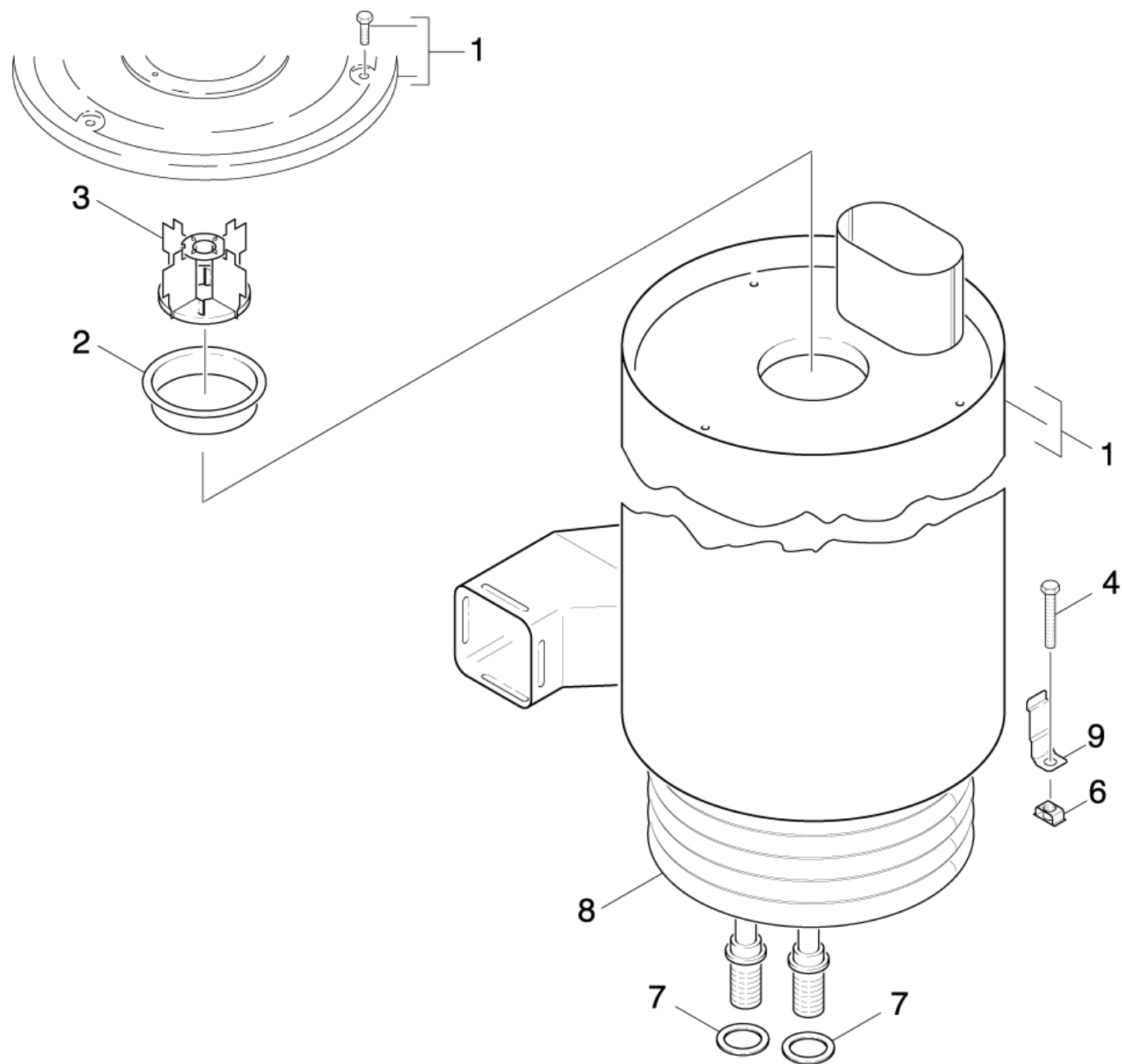
8 Cover plate pressure boiler (4.654-218.0)

POS	Article no.	Description	Quantity	Unit
1	5.662-022.0	Burner cover	1.000	ST
3	6.278-018.0	Glass pane	1.000	ST
4	6.343-165.0	Serrated ring	1.000	ST
9	7.312-302.0	Spring washer B10-FST-A2E DIN 137	1.000	ST
10	7.311-101.0	Hexagon nut M10x1 -04-A2E ISO 8675	1.000	ST
11	5.667-055.0	Nozzle holder	1.000	ST



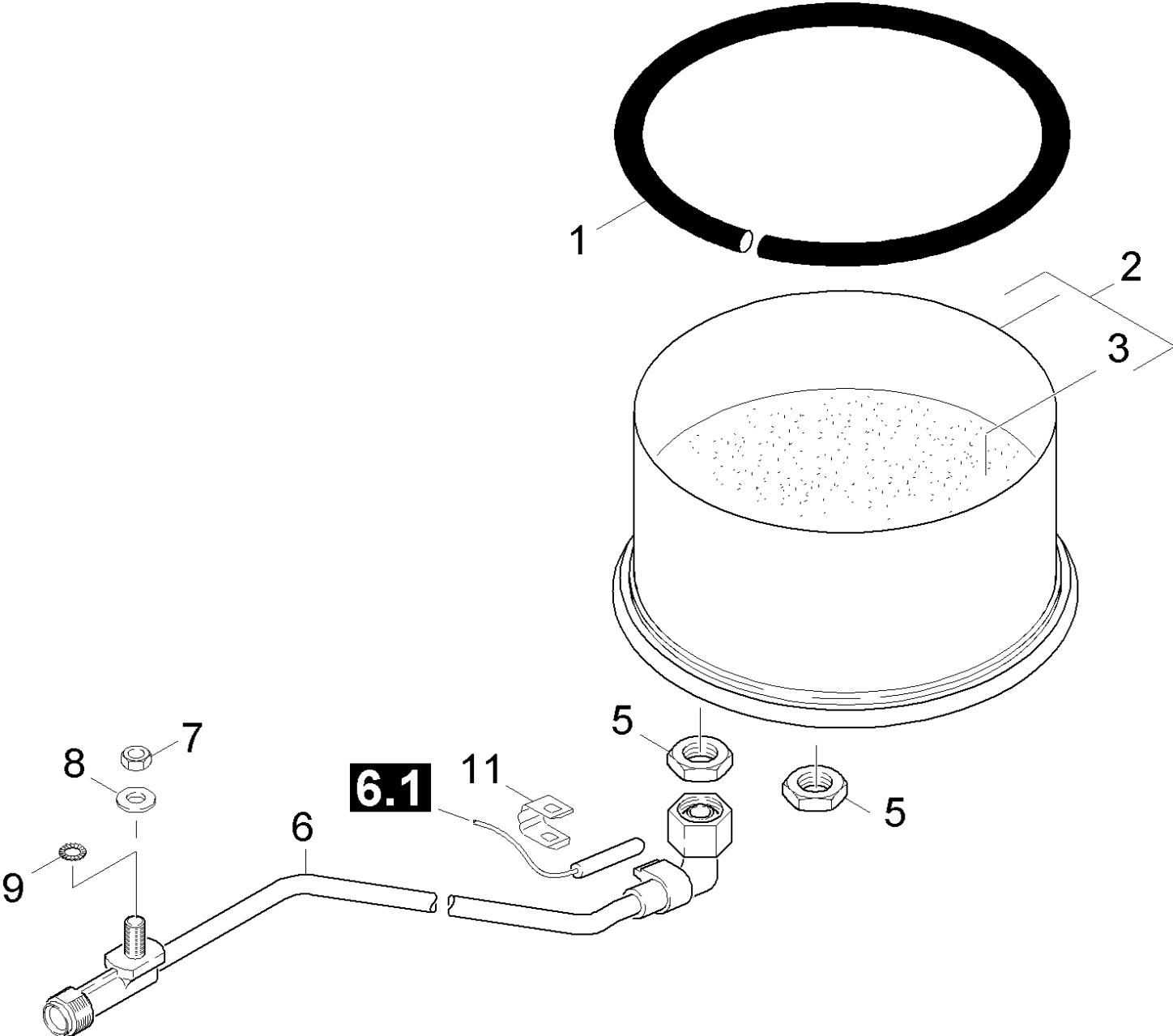
11 Conversion kit ignition electrode (2.638-974.0)

POS	Article no.	Description	Quantity	Unit
2	7.306-217.0	Screw M5x14 -8.8-R2R (In6Rd)	1.000	ST
3	7.312-304.0	Spring washer B 5-FST-A2E DIN 137	1.000	ST



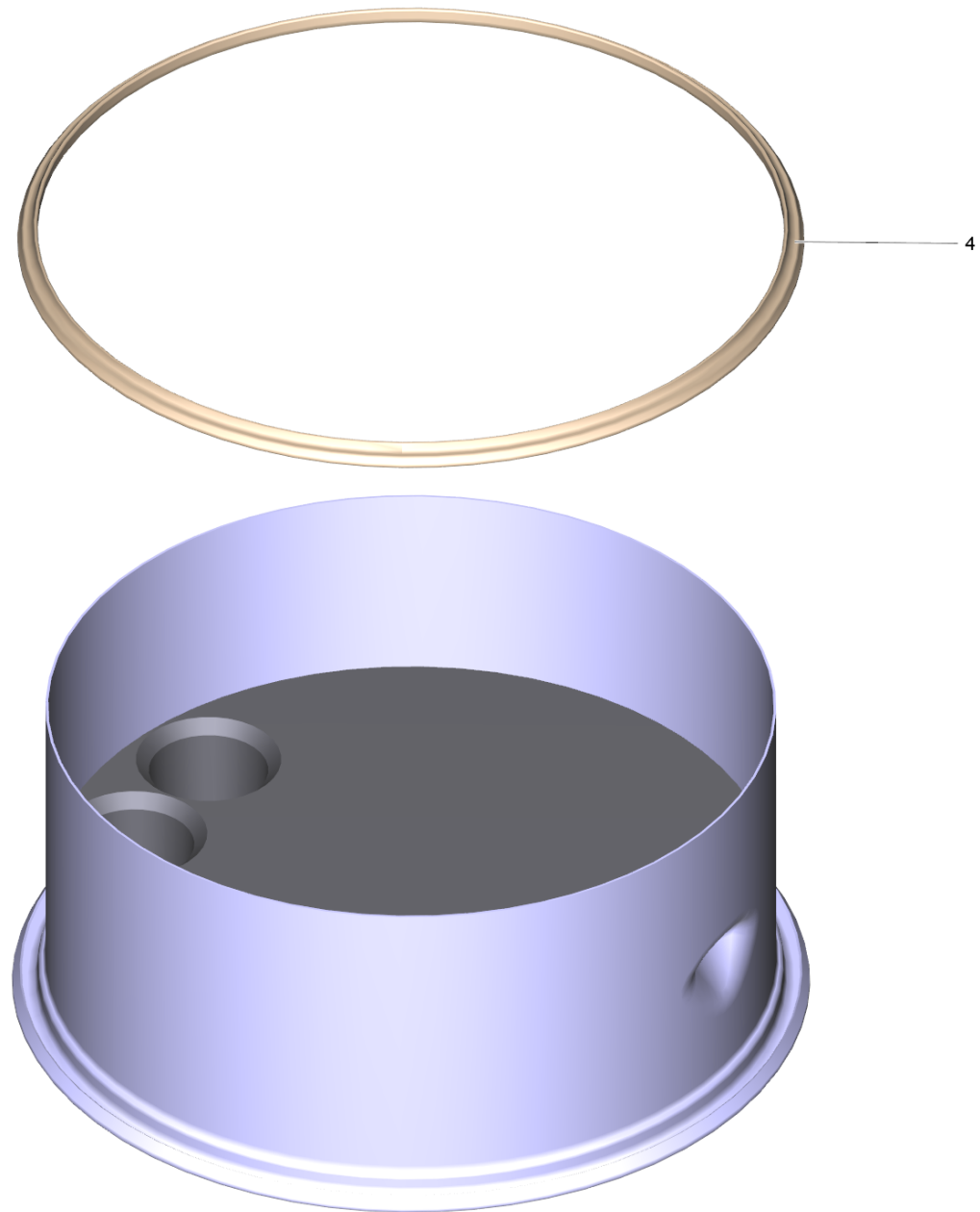
72 Heating coil

POS	Article no.	Description	Quantity	Unit	Foot note text
1	4.652-131.0	Vessel mantel complete	1.000	ST	
		Item text1: 1.025-311.0/-315.0/-316.0/-317.0/-318.0			
		Item text2: /-319.0/-320.0/-324.0/-325.0			
1	4.652-137.0	Outer covering	1.000	ST	
		Item text1: 1.025-351.0 /-352.0			
2	5.664-195.0	Flame tube	1.000	ST	
		Item text1: 1.025-311.0/-315.0/-316.0/-317.0/-318.0			
		Item text2: /-319.0/-320.0/-324.0/-325.0			
2	5.664-179.0	Flame tube	1.000	ST	
		Item text1: 1.025-351.0 /-352.0			
3	4.663-123.0	Baffle plate complete	1.000	ST	
		Item text1: 1.025-351.0 /-352.0			
3	4.663-088.0	Baffle plate complete	1.000	ST	
		Item text1: 1.025-311.0/-315.0/-316.0/-317.0/-318.0			
		Item text2: /-319.0/-320.0/-324.0/-325.0			
4	7.304-051.0	Hexagonal head screw M 8x16-8.8-P2R EN	3.000	ST	
6	6.310-081.0	Cage nut M 8	3.000	ST	
7	5.365-068.0	Profile gasket	2.000	ST	
8	4.680-135.0	Heating coil	1.000	ST	
		Item text1: / 1.025-311.0 / -312.0 / -315.0 / -316.0			
		Item text2: / -317.0 /-325.0			
8	4.680-137.0	Heating coil VA	1.000	ST	STAINLESS STEEL CONSTRUCTION
		Item text1: / 1.025-311.0 / -315.0 / -316.0 / -317.0			
8	4.680-123.0	Heating coil	1.000	ST	
		Item text1: 1.025-351.0 /-352.0			
8	4.680-114.0	Heating coil VA	1.000	ST	STAINLESS STEEL CONSTRUCTION
		Item text1: / 1.025-318.0 / -319.0 / -320.0			
		Item text2: / -324.0			
9	5.044-420.0	Holder	3.000	ST	



73 Burner bottom

POS	Article no.	Description	Quantity	Unit
1	6.366-009.0	Seal string	1.000	ST
2	4.655-044.0	Bottom pressure boiler	1.000	ST
3	2.889-061.0	Refractory material 8kg	1.000	ST
5	7.311-155.0	Hexagon nut M22x1,5 -Cu2 DIN 936	2.000	ST
	Item text1: / 1.025-318.0 / -319.0 / -320.0			
	Item text2: / -324.0			
5	7.311-112.0	Hexagon nut M22X1,5 -22H-A2E DIN 936	2.000	ST
	Item text1: / 1.025-311.0 / -312.0 / -315.0 / -316.0			
	Item text2: / -317.0 / -325.0 / -351.0 / -352.0			
6	4.421-627.0	Pipelines outlet	1.000	ST
7	7.311-511.0	Hexagon nut M10-8-A2E ISO 7040	1.000	ST
8	7.312-285.0	Washer 10 -200HV-A2E ISO7093-1	1.000	ST
9	7.312-160.0	Toothed lock washer A10,5 -FSt-A3E DIN	1.000	ST
11	5.263-064.0	Tensioning part	1.000	ST

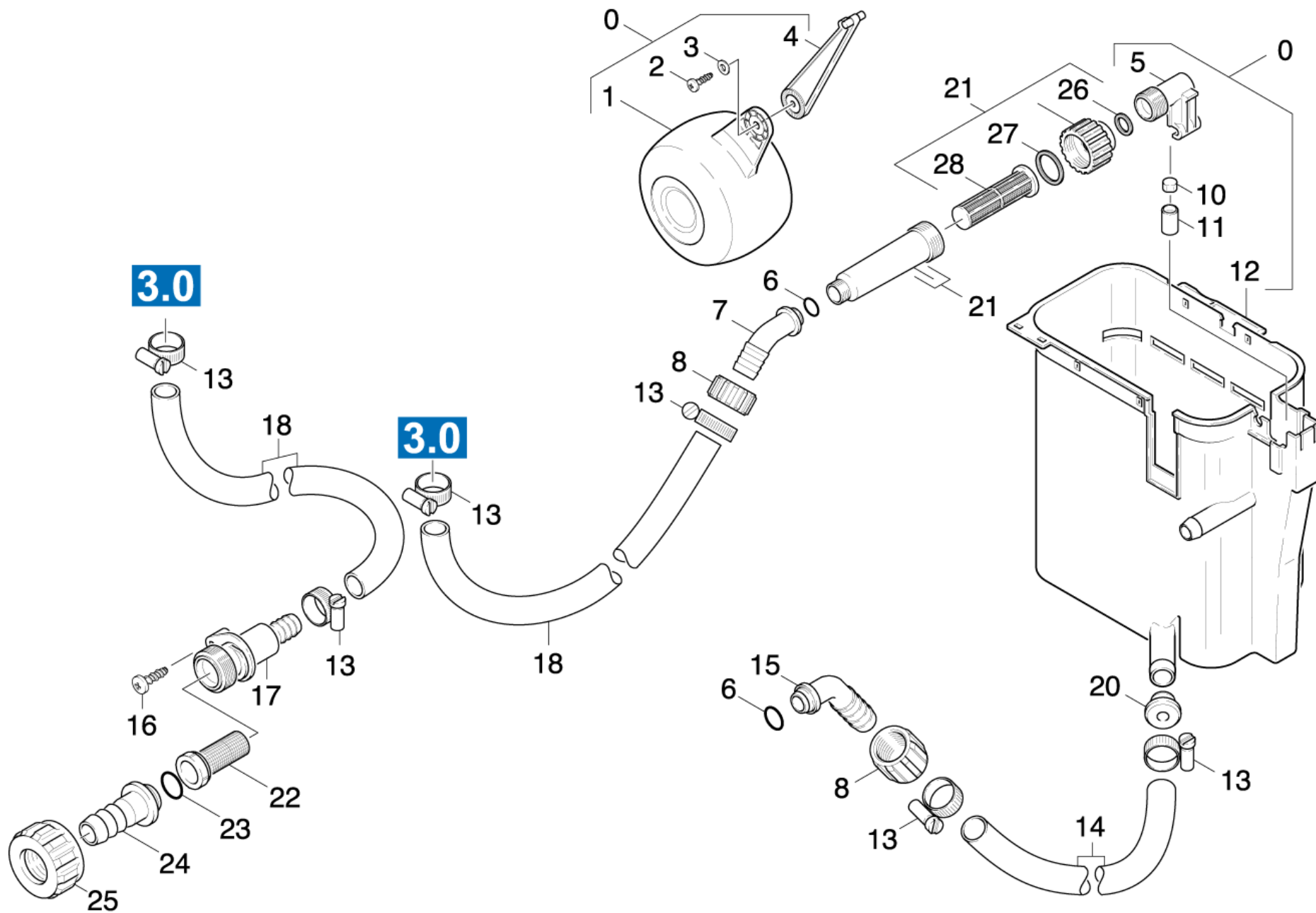


2 Bottom pressure boiler (4.655-044.0)

POS	Article no.	Description	Quantity	Unit
4	6.366-009.0	Seal string	1.000	ST
6	6.869-024.0	Quick-bonding agent	0.004	ZST

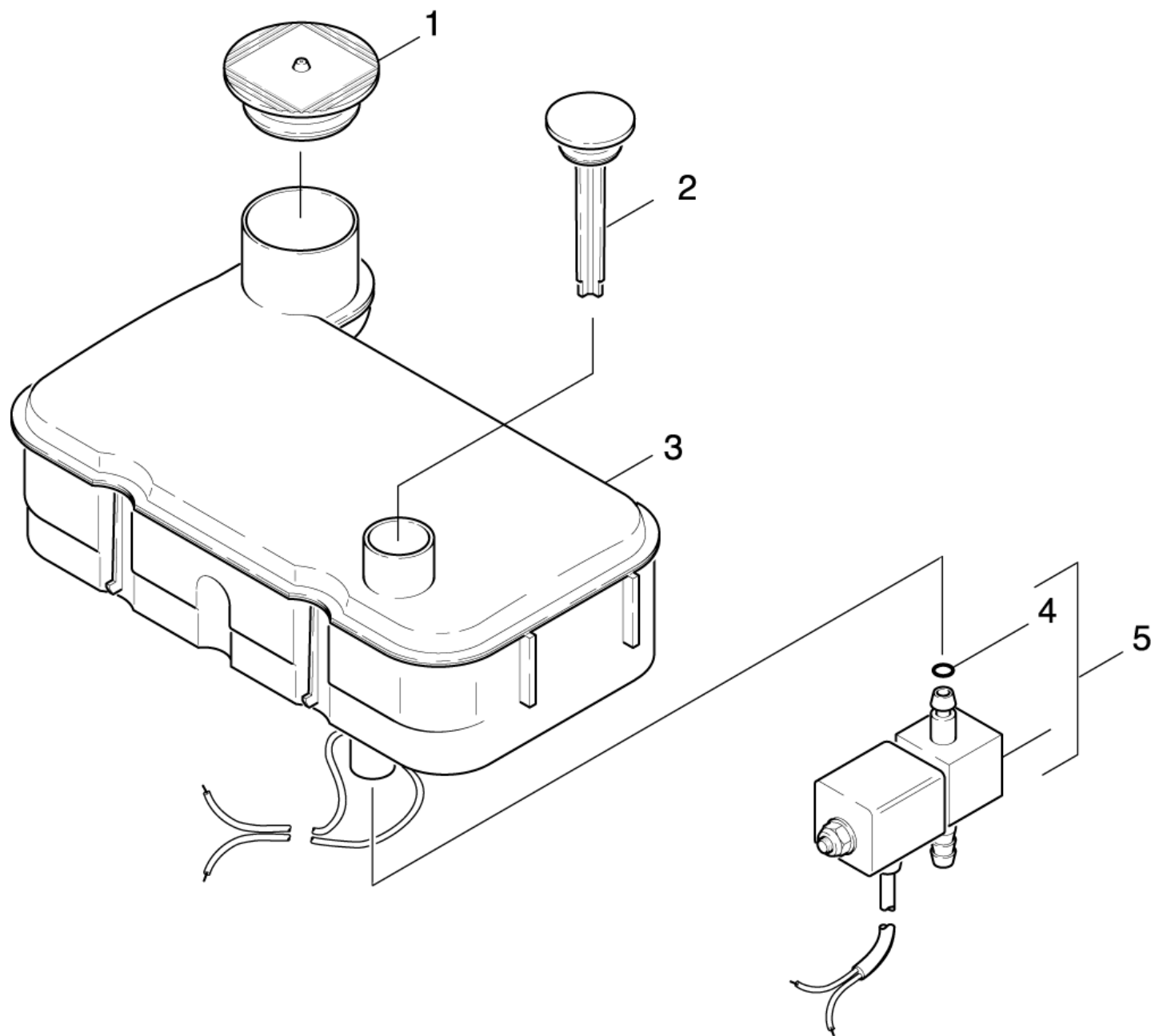
80 Float chest

POS	Description	Quantity	Unit
81	Float chest	1.000	ST
82	DGT	1.000	ST



81 Float chest

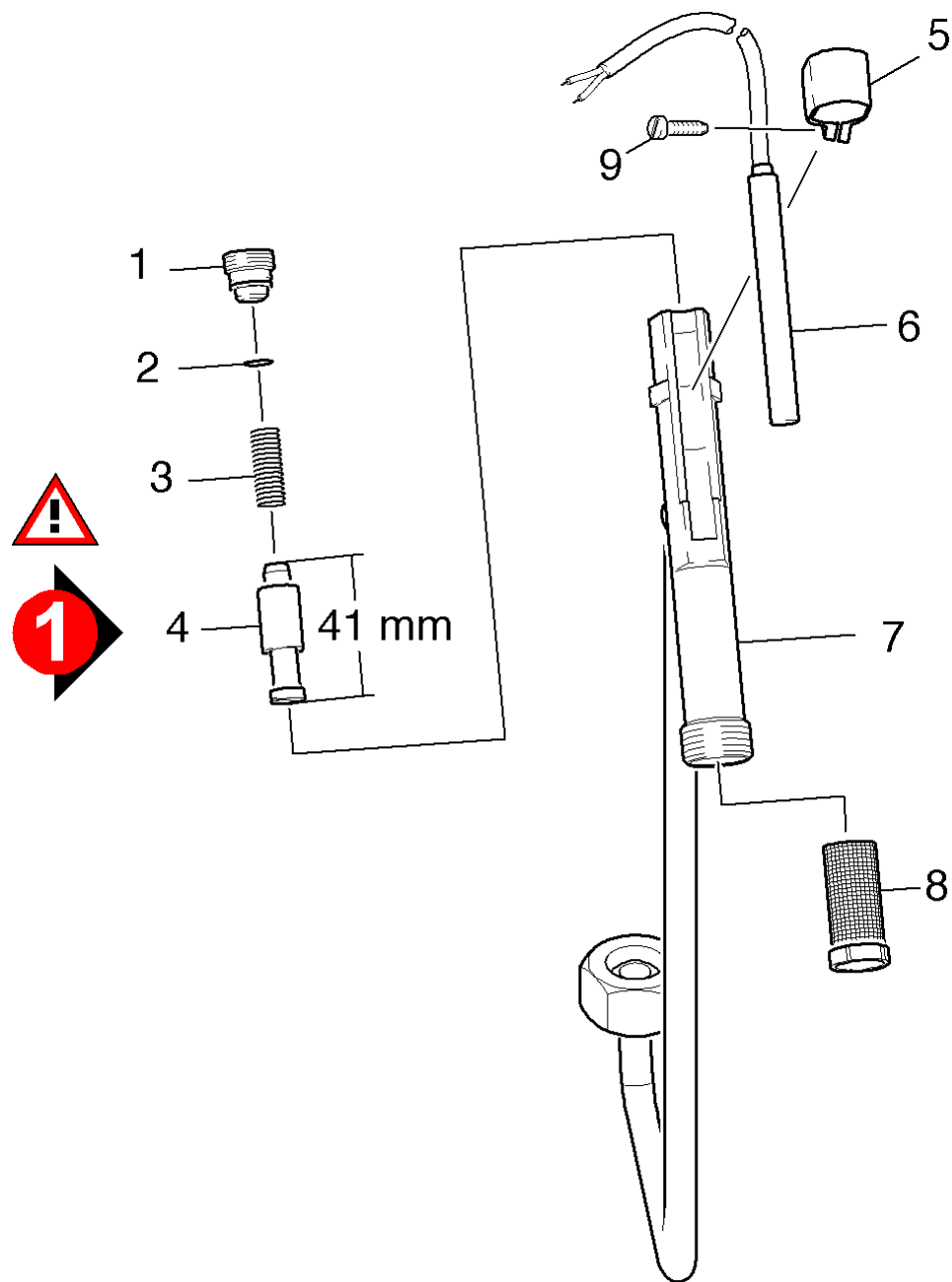
POS	Article no.	Description	Quantity	Unit	Foot note text
0	3.593-082.0	Float valve	1.000	ST	
1	5.585-004.0	Float	1.000	ST	
2	7.303-104.0	Screw 5x16 -A2-70 (IN6RD)	1.000	ST	
3	7.312-282.0	Washer 5 -A2 ISO 7093-1	1.000	ST	
4	5.481-118.0	Lever	1.000	ST	
5	5.587-147.0	Valve housing	1.000	ST	
6	6.362-078.0	O-Ring seal 13,3x2,4	2.000	ST	
7	5.443-285.0	Hose stem	1.000	ST	
8	5.310-062.0	Nut	2.000	ST	
10	5.364-095.0	Flat gasket	1.000	ST	
11	5.584-085.0	Valve pin	1.000	ST	
12	5.070-140.0	Tank	1.000	ST	
13	7.373-022.0	Hose clip A-16-27x9 -W2-2 DIN3017	6.000	ST	
14	6.392-256.0	Piece of tube 19x4x430	1.000	ST	
15	5.443-211.0	Hose stem	1.000	ST	
16	7.303-112.0	Screw 6x20 -10.9-R2R (In6Rd)	1.000	ST	
17	5.427-154.0	Manifold	1.000	ST	
18	6.388-719.0	Hose DN17	1.000	M	TO ORDER AS CUT GOODS
20	5.112-286.0	Bush	1.000	ST	
21	4.730-127.0	Water filter	1.000	ST	
22	6.414-141.0	Strainer	1.000	ST	
23	6.362-161.0	O-Ring seal 19,3 X 2,4	1.000	ST	
24	5.443-291.0	Hose stem	1.000	ST	
25	5.310-076.0	Nut	1.000	ST	
26	5.363-545.0	Seal	1.000	ST	
27	5.363-336.0	Seal	1.000	ST	
28	5.731-587.0	Water filter	1.000	ST	



POS	Article no.	Description	Quantity	Unit
1	5.063-487.0	Cover	1.000	ST
2	5.063-507.0	Cover	1.000	ST
3	4.070-188.0	WATER SOFTNER TANK	1.000	ST
4	6.362-113.0	O-Ring seal 6,0 x 2,0 NBR 70	1.000	ST
5	6.685-845.0	Solenoid valve	1.000	ST

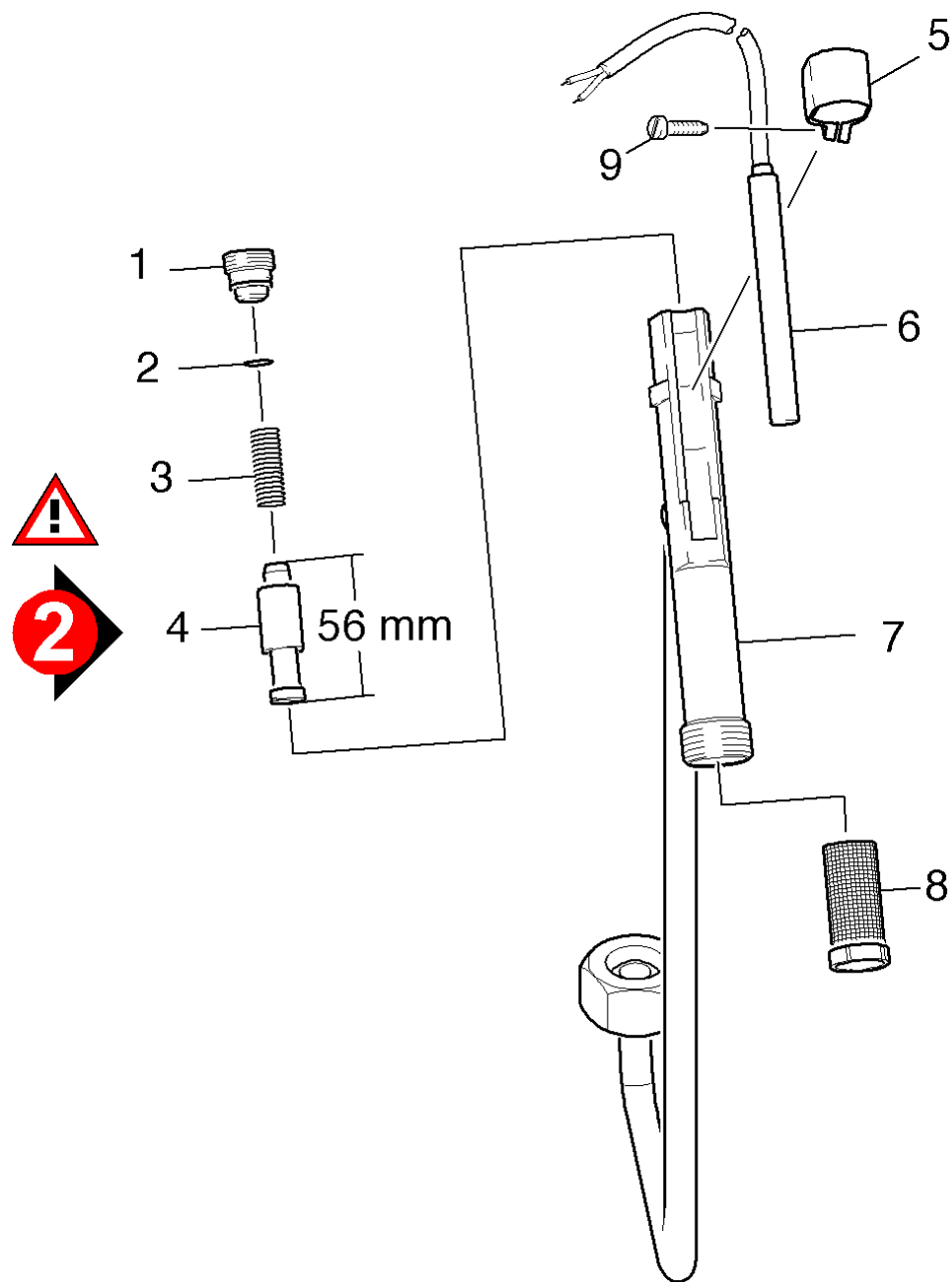
90 Safety system

POS	Description	Quantity	Unit	Remark
91	Safety system	1.000	ST	VERSION 1
92	Safety system	1.000	ST	VERSION 2



91 Safety system

POS	Article no.	Description	Quantity	Unit
1	5.305-162.0	Shaped screw	1.000	ST
2	6.362-482.0	O-Ring seal 10 x 1,5-NBR 70	1.000	ST
3	5.332-057.0	Helical spring	1.000	ST
4	4.553-022.0	Piston	1.000	ST
5	5.041-076.0	Clamp	1.000	ST
6	2.880-194.0	Reed switch replacement	1.000	ST
7	4.427-202.0	Manifold	1.000	ST
8	6.414-566.0	Strainer WMS	1.000	ST
9	6.303-122.0	M4 .2X13 DIN 7981 TORX T15 PAN HD HI/LO	1.000	ST

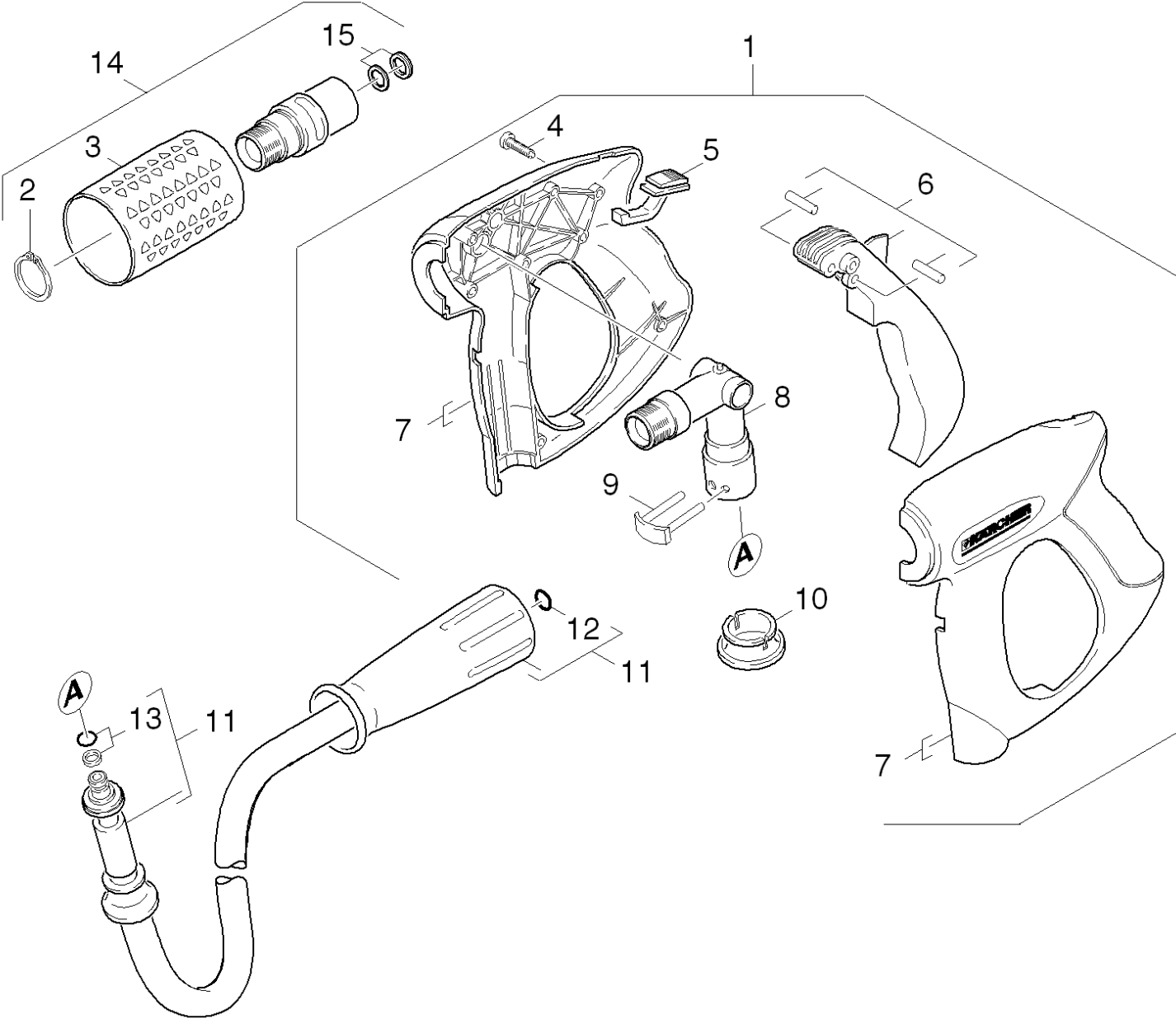


92 Safety system

POS	Article no.	Description	Quantity	Unit
1	5.305-162.0	Shaped screw	1.000	ST
2	6.362-482.0	O-Ring seal 10 x 1,5-NBR 70	1.000	ST
3	5.332-057.0	Helical spring	1.000	ST
4	4.551-058.0	Cartridge protection against water short	1.000	ST
5	5.041-076.0	Clamp	1.000	ST
6	2.880-194.0	Reed switch replacement	1.000	ST
7	4.427-335.0	Manifold	1.000	ST
8	6.414-566.0	Strainer WMS	1.000	ST
9	6.303-122.0	M4 .2X13 DIN 7981 TORX T15 PAN HD HI/LO	1.000	ST

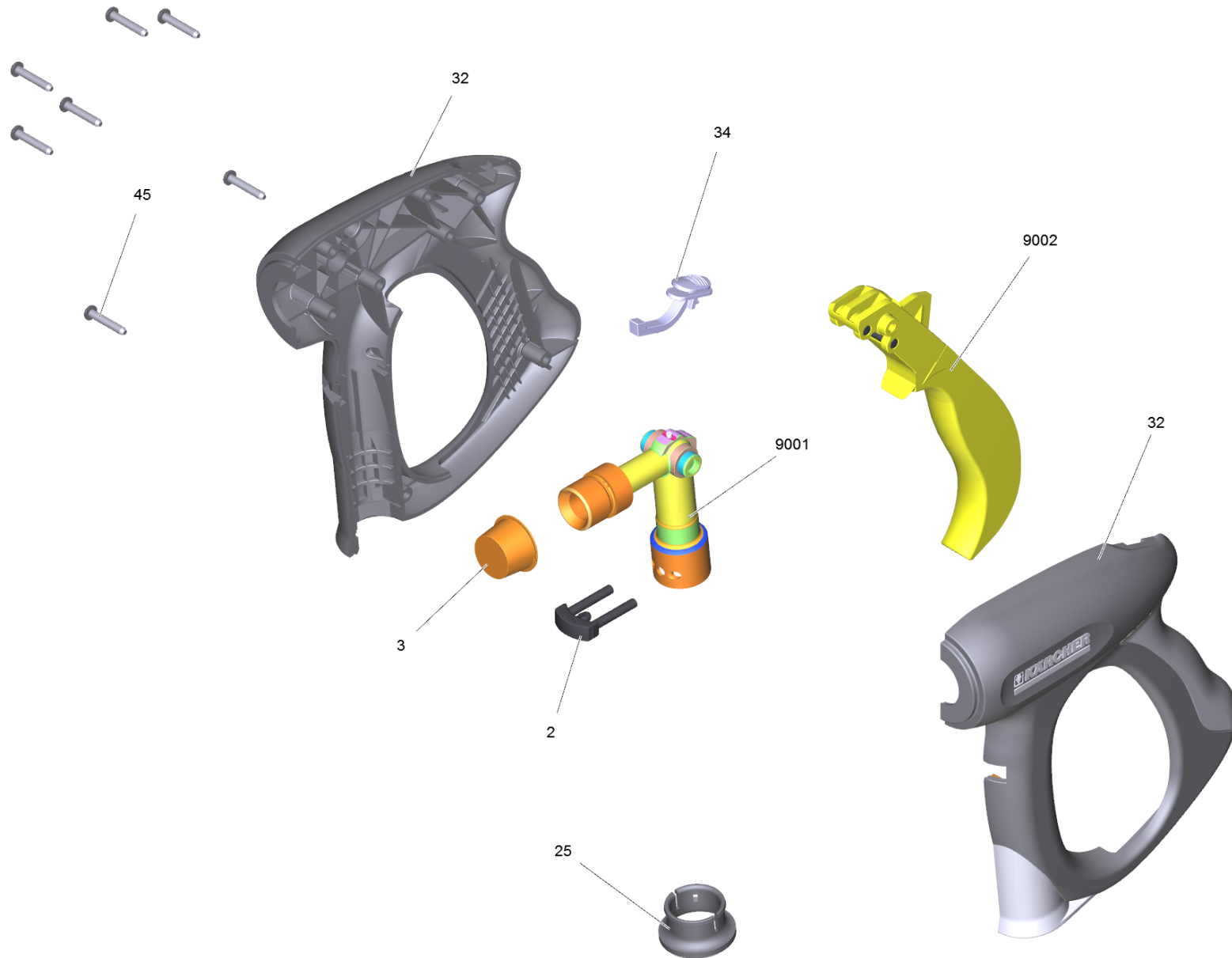
100 Accessories

POS	Description	Quantity	Unit
101	Hand trigger gun	1.000	ST
102	Hand trigger gun	1.000	ST
103	Jet pipe	1.000	ST
104	Hose reel	1.000	ST
105	Steam nozzle	1.000	ST



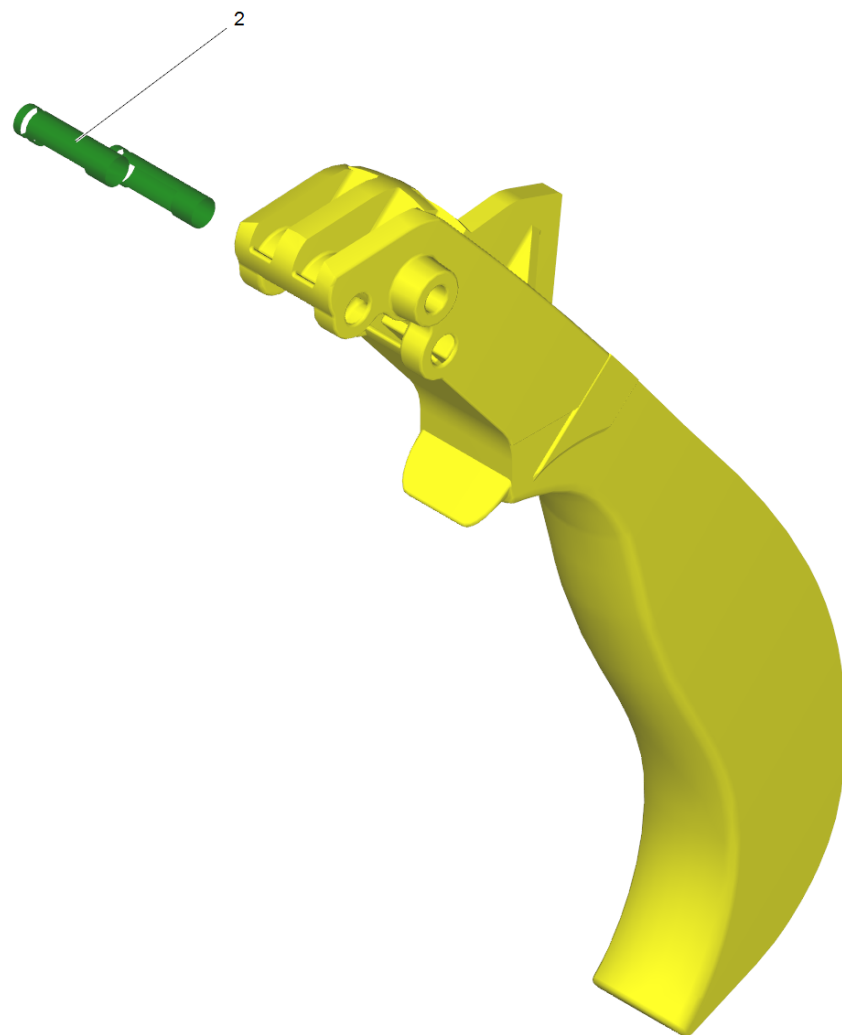
101 Hand trigger gun

POS	Article no.	Description	Quantity	Unit
1	4.775-463.0	HAND TRIGGER GUN EASY PRESS	1.000	ST
		Item text1: 1.025-311.0 / -315.0 / -316.0 / -317.0		
		Item text2: / -351.0 / -352.0		
2	7.343-069.0	Locking ring 25x1,2-1.4122 DIN 471	1.000	ST
3	5.321-668.0	Handle	1.000	ST
4	7.303-096.0	Screw 4x22 -ST-10.9-R2R (IN6RD)	7.000	ST
5	5.481-331.0	Slider	1.000	ST
6	4.481-209.0	Lever complete	1.000	ST
7	5.321-669.3	Handhold few	1.000	ST
8	4.427-215.0	Manifold complete only for replacement	1.000	ST
9	4.037-013.0	Hook	1.000	ST
10	5.110-596.0	Sleeve	1.000	ST
11	6.391-238.0	Hose assembly standard DN6 25MPa 10m	1.000	ST
		Item text1: / 1.025-351.0 /-352.0		
11	6.391-351.0	Hose assembly only for replacement DN8 4	1.000	ST
		Item text1: / 1.025-311.0 /-315.0 /		
11	6.390-208.0	Hose assembly DN8 40MPa 20m	1.000	ST
		Item text1: / 1.025-316.0 /-317.0		
12	2.880-990.0	Spare part set O-Ring 5x -Kaercher	1.000	ST
13	4.363-691.0	O-Ring seal kpl. -nur fuer Ersatz-	1.000	ST
14	4.775-470.0	Rotary controller 416L	1.000	ST
15	4.363-695.0	Grooved ring only for replacement	1.000	ST



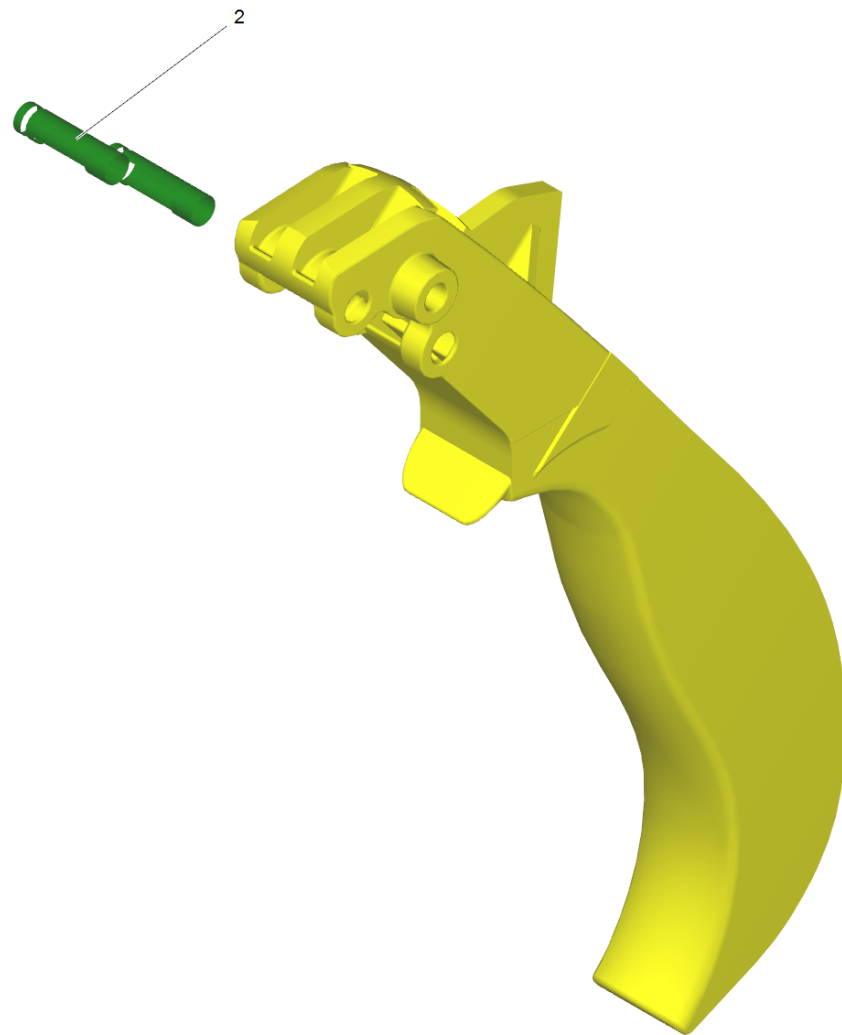
1 HAND TRIGGER GUN EASY PRESS (4.775-463.0)

POS	Article no.	Description	Quantity	Unit
2	4.037-013.0	Hook	1.000	ST
3	6.368-012.0	Protecting cap 22X1,5	1.000	ST
4	6.869-075.0	Metal bonding agent 1,5 ml	1.000	ST
cart_info_txt: This material is not available due to hazardous good regulation. Please procure this or a similar material from a local supplier of your choice.				
25	5.110-596.0	Sleeve	1.000	ST
32	5.321-669.3	Handhold few	1.000	ST
34	5.481-331.0	Slider	1.000	ST
45	7.303-096.0	Screw 4x22 -ST-10.9-R2R (IN6RD)	7.000	ST
1041	6.288-044.0	Silicon grease 100 G	1.000	ST
9001	4.427-215.0	Manifold complete only for replacement	1.000	ST
9002	4.481-209.0	Lever complete	1.000	ST



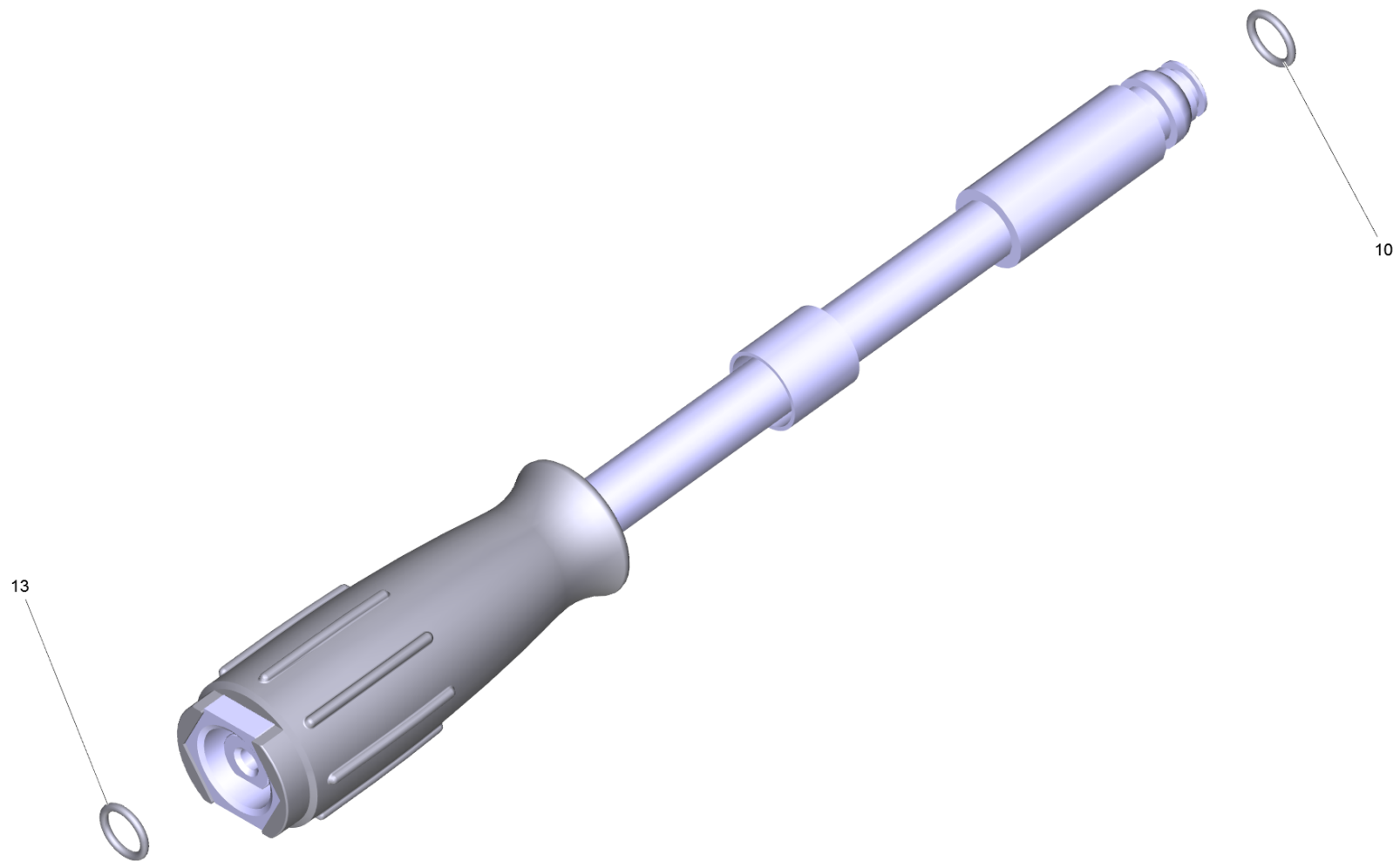
9002 Lever complete (4.481-209.0)

POS	Article no.	Description	Quantity	Unit
2	5.314-119.0	Pin	2.000	ST



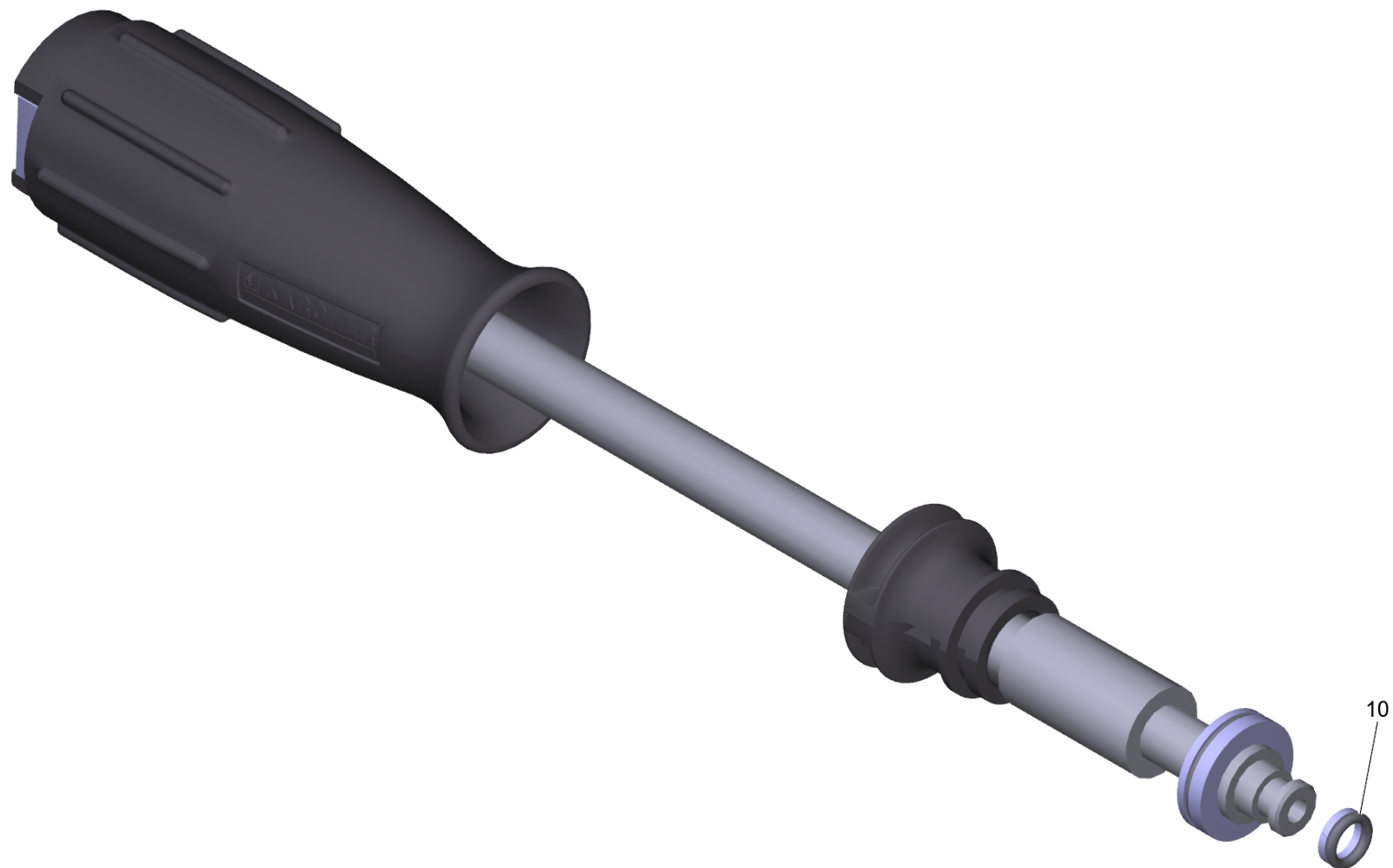
6 Lever complete (4.481-209.0)

POS	Article no.	Description	Quantity	Unit
2	5.314-119.0	Pin	2.000	ST



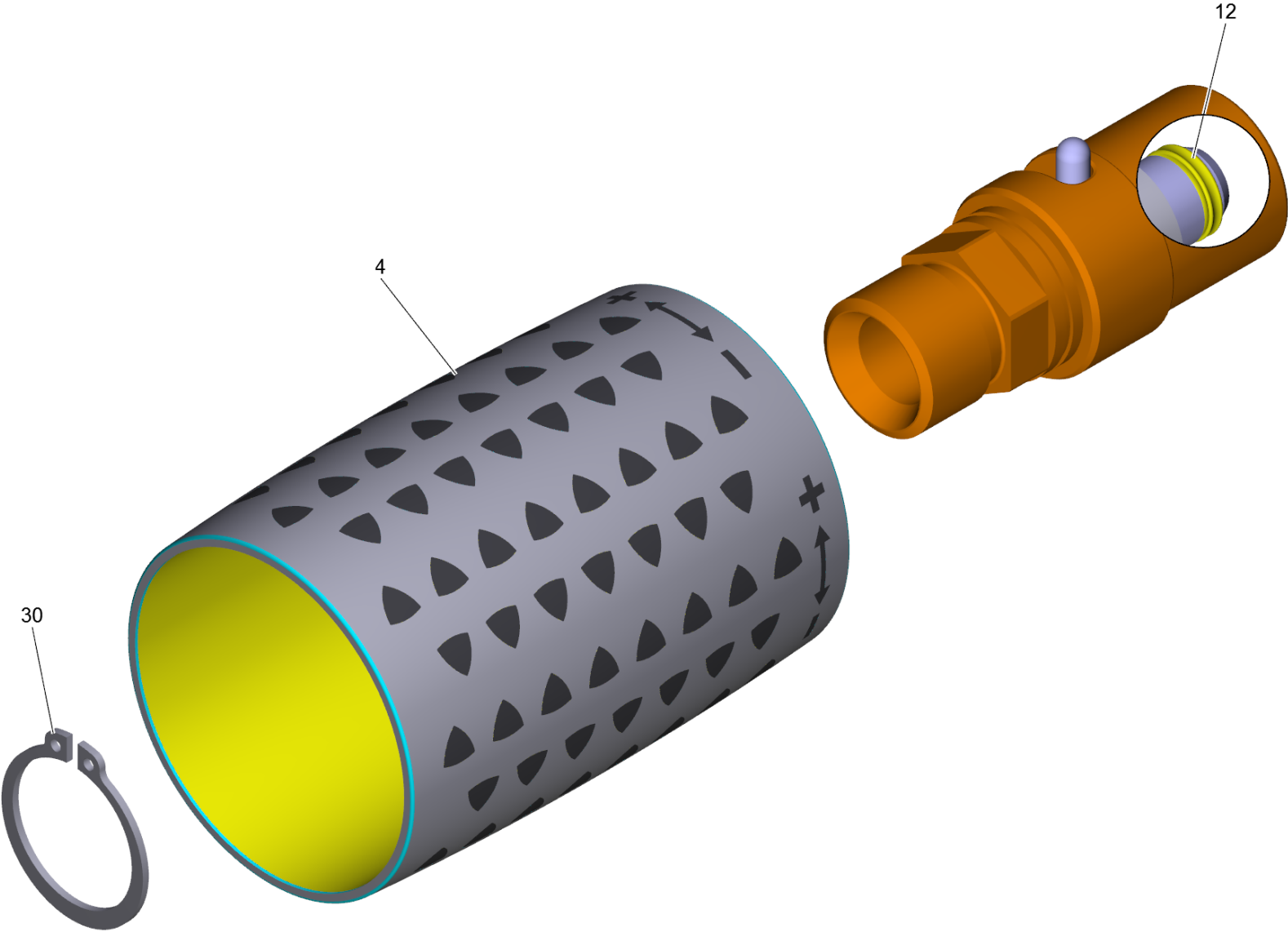
11 Hose assembly standard DN6 25MPa 10m (6.391-238.0)

POS	Article no.	Description	Quantity	Unit
10	4.363-691.0	O-Ring seal kpl. -nur fuer Ersatz-	1.000	ST
13	2.880-990.0	Spare part set O-Ring 5x -Kaercher	1.000	ST



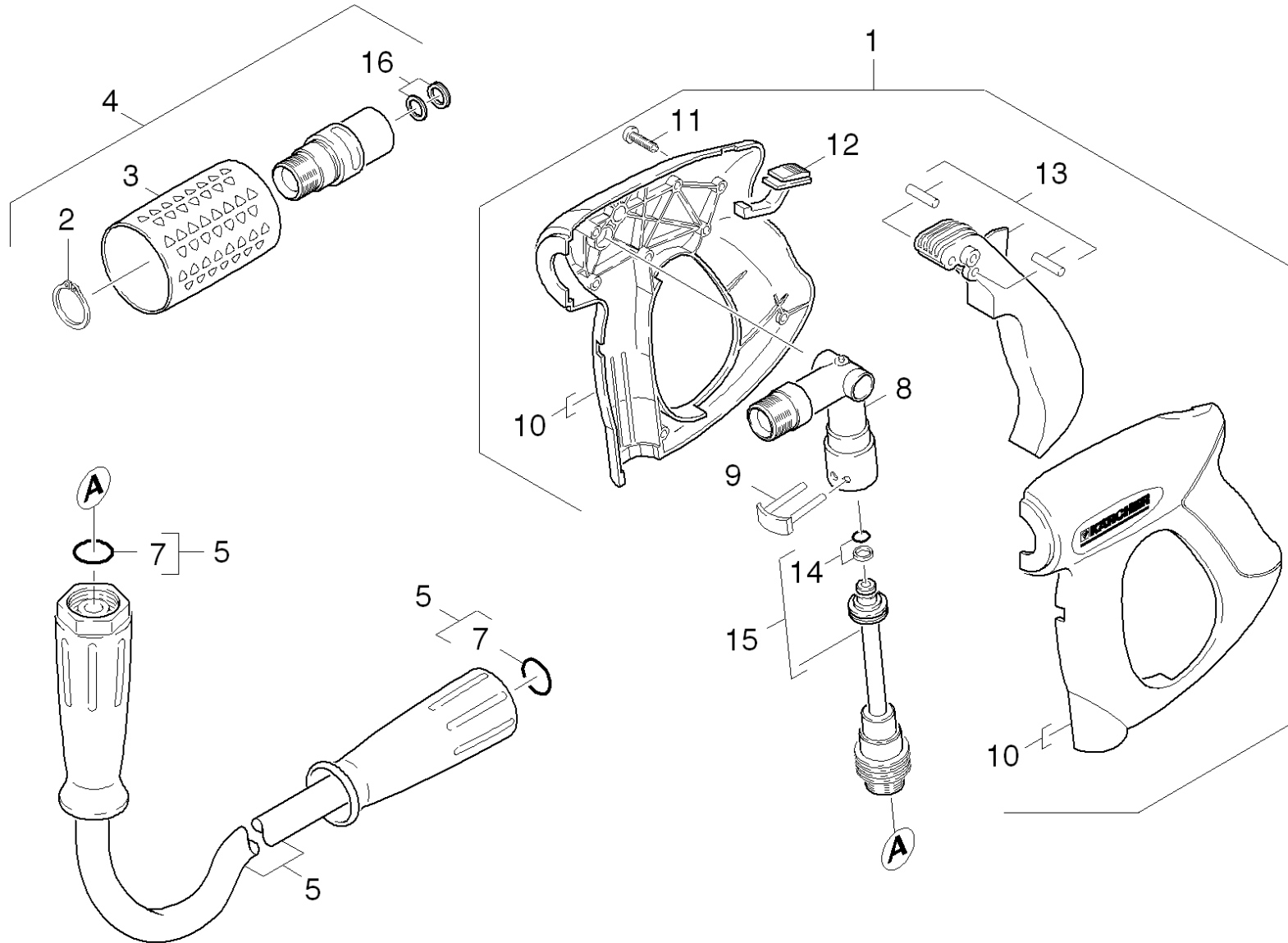
11 Hose assembly only for replacement DN8 4 (6.391-351.0)

POS	Article no.	Description	Quantity	Unit
10	4.363-691.0	O-Ring seal kpl. -nur fuer Ersatz-	1.000	ST



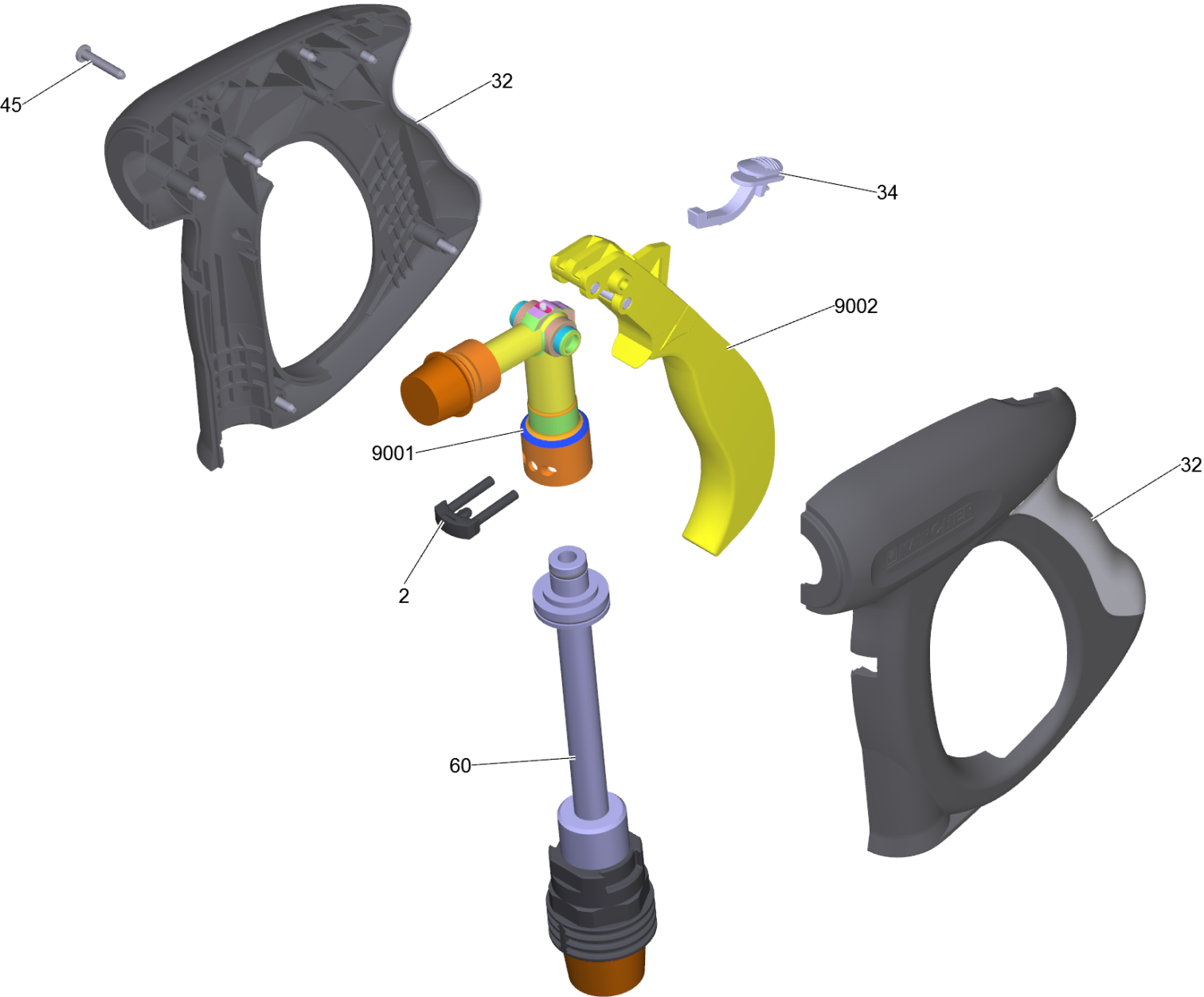
14 Rotary controller 416L (4.775-470.0)

POS	Article no.	Description	Quantity	Unit
4	5.321-668.0	Handle	1.000	ST
12	2.880-001.0	Spare part set seals TR	1.000	ST
30	7.343-069.0	Locking ring 25x1,2-1.4122 DIN 471	1.000	ST



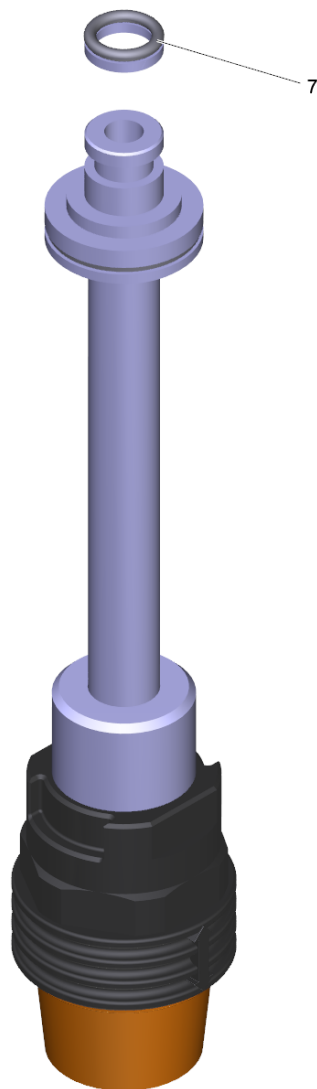
102 Hand trigger gun

POS	Article no.	Description	Quantity	Unit
1	4.775-466.0	Hand trigger gun	1.000	ST
		Item text1: 1.025-318.0 /-319.0 /-320.0 /-324.0		
		Item text2: /-325.0		
2	7.343-008.0	Locking ring 25x1,2-St-vz DIN 471	1.000	ST
3	5.321-668.0	Handle	1.000	ST
4	4.775-470.0	Rotary controller 416L	1.000	ST
5	6.389-709.0	Hose assembly rotatable DN8 40MPa 15m	1.000	ST
		Item text1: /1.025-325.0		
5	6.391-354.0	Hose assembly only for replacement DN8 4	1.000	ST
		Item text1: / 1.025-312.0 /-318.0 /-319.0 /-320.0 /		
		Item text2: -324.0 /		
7	2.880-990.0	Spare part set O-Ring 5x -Kaercher	1.000	ST
8	4.427-215.0	Manifold complete only for replacement	1.000	ST
9	4.037-013.0	Hook	1.000	ST
10	5.321-669.3	Handhold few	1.000	ST
11	7.303-096.0	Screw 4x22 -ST-10.9-R2R (IN6RD)	7.000	ST
12	5.481-331.0	Slider	1.000	ST
13	4.481-209.0	Lever complete	1.000	ST
14	4.363-691.0	O-Ring seal kpl. -nur fuer Ersatz-	1.000	ST
15	4.421-739.3	Adapter pipelines AVS-M22x1,5	1.000	ST
16	4.363-695.0	Grooved ring only for replacement	1.000	ST



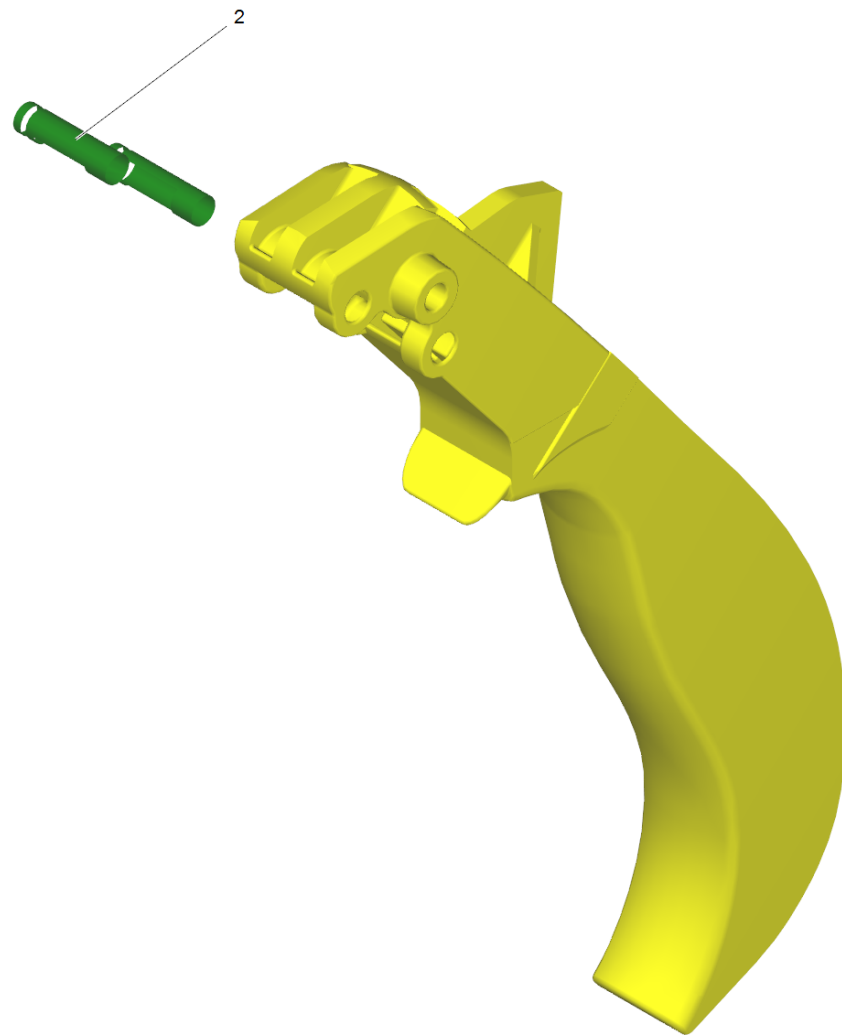
1 Hand trigger gun (4.775-466.0)

POS	Article no.	Description	Quantity	Unit
2	4.037-013.0	Hook	1.000	ST
32	5.321-669.3	Handhold few	1.000	ST
34	5.481-331.0	Slider	1.000	ST
45	7.303-096.0	Screw 4x22 -ST-10.9-R2R (IN6RD)	7.000	ST
60	4.421-739.3	Adapter pipelines AVS-M22x1,5	1.000	ST
9001	4.427-215.0	Manifold complete only for replacement	1.000	ST
9002	4.481-209.0	Lever complete	1.000	ST



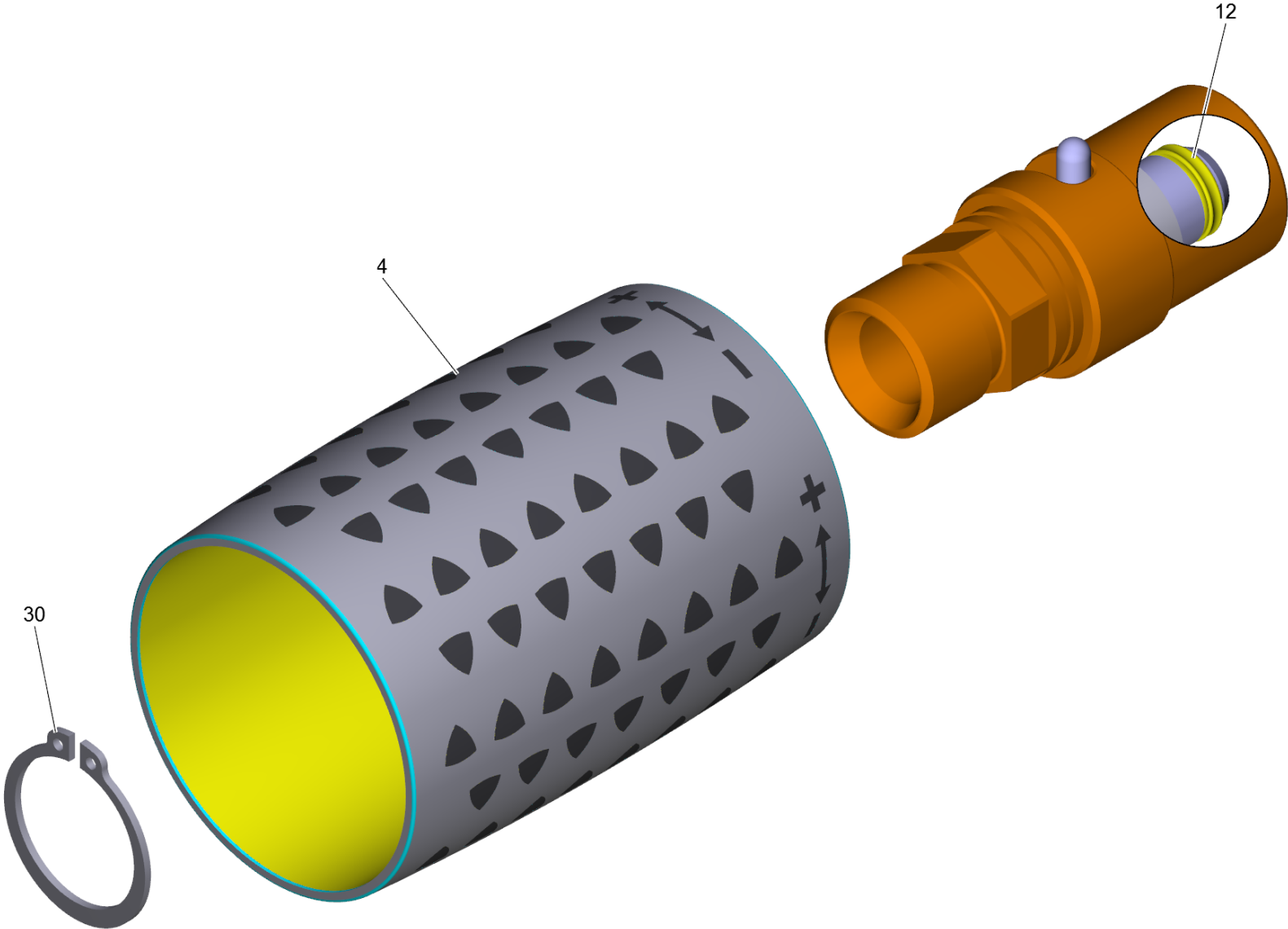
60 Adapter pipelines AVS-M22x1,5 (4.421-739.3)

POS	Article no.	Description	Quantity	Unit
7	4.363-691.0	O-Ring seal kpl. -nur fuer Ersatz-	1.000	ST



9002 Lever complete (4.481-209.0)

POS	Article no.	Description	Quantity	Unit
2	5.314-119.0	Pin	2.000	ST

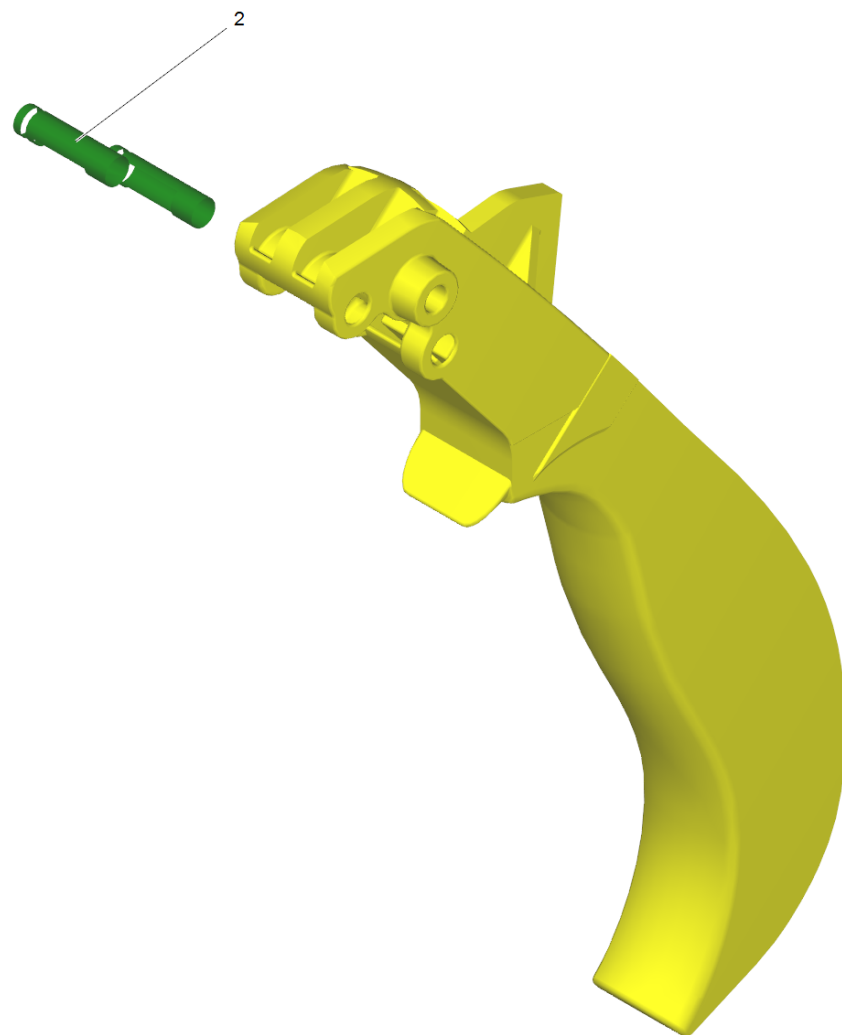


4 Rotary controller 416L (4.775-470.0)

POS	Article no.	Description	Quantity	Unit
4	5.321-668.0	Handle	1.000	ST
12	2.880-001.0	Spare part set seals TR	1.000	ST
30	7.343-069.0	Locking ring 25x1,2-1.4122 DIN 471	1.000	ST

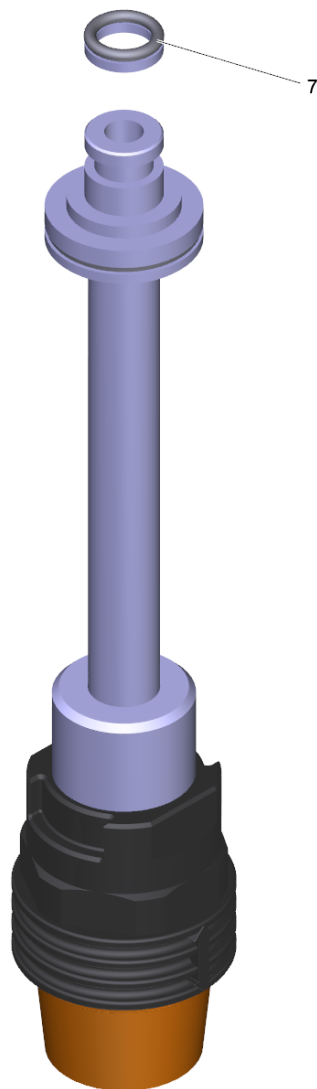
5 Hose assembly rotatable DN8 40MPa 15m (6.389-709.0)

POS	Article no.	Description	Quantity	Unit
1	2.880-990.0	Spare part set O-Ring 5x -Kaercher	1.000	ST



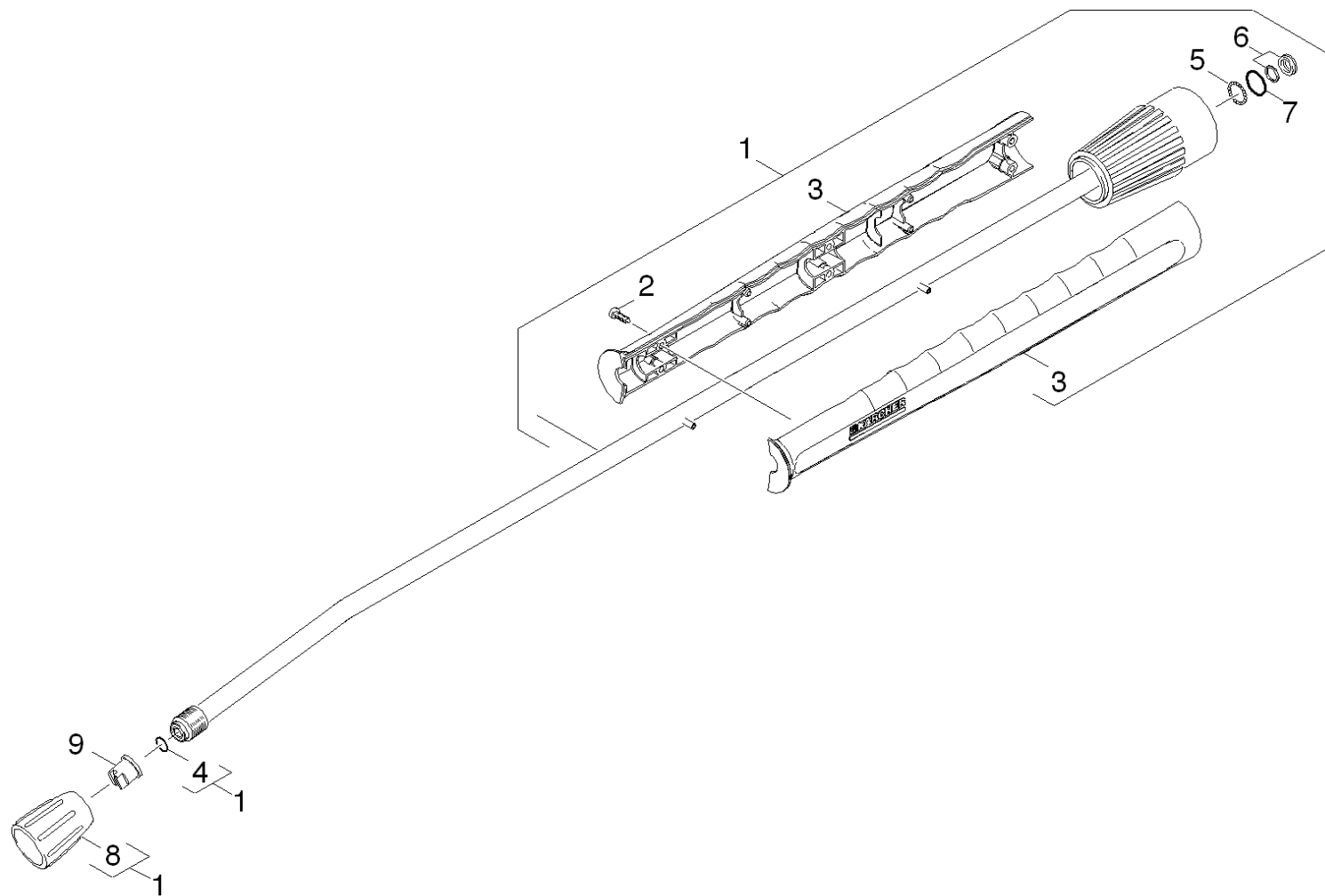
13 Lever complete (4.481-209.0)

POS	Article no.	Description	Quantity	Unit
2	5.314-119.0	Pin	2.000	ST



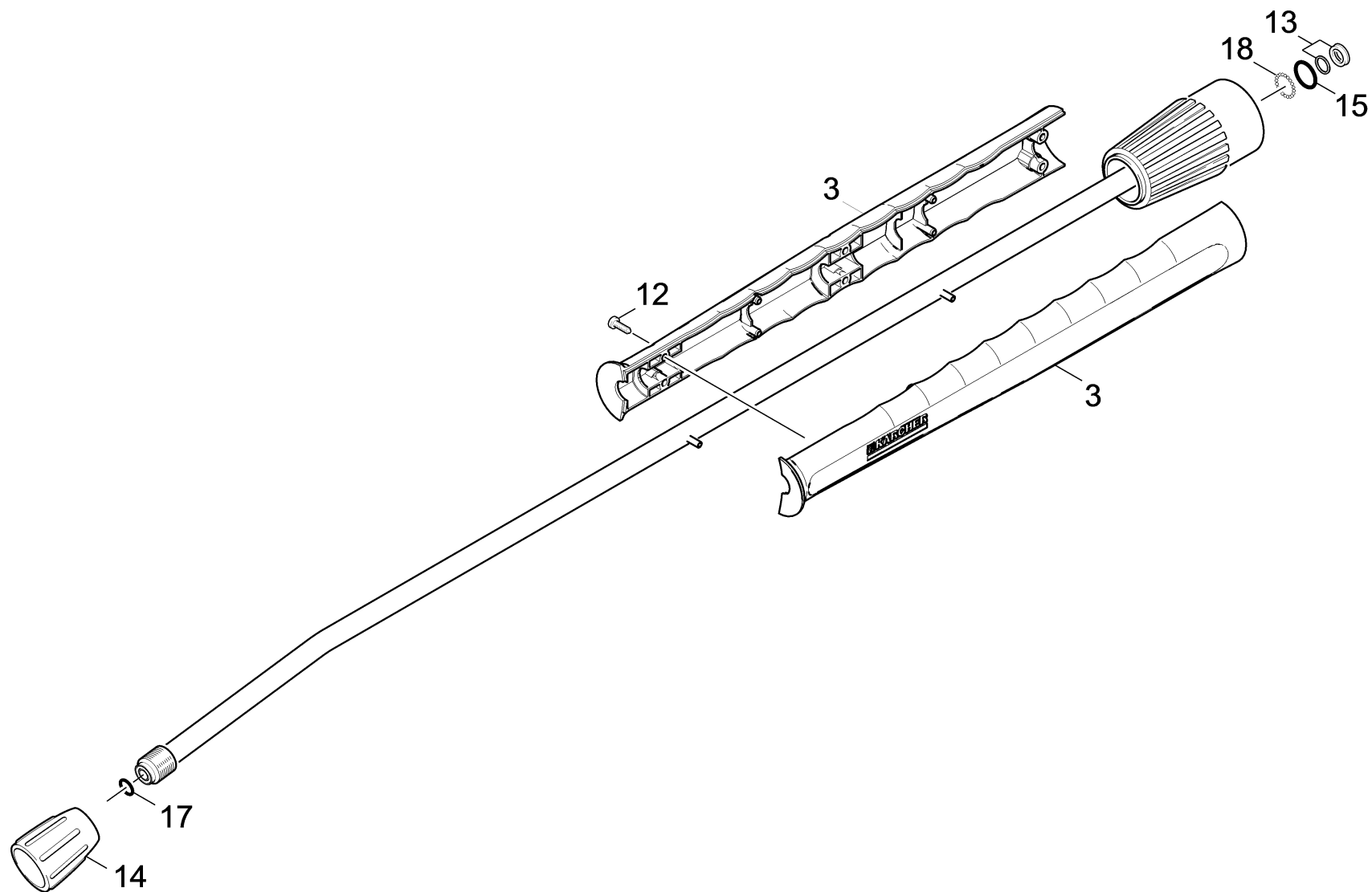
15 Adapter pipelines AVS-M22x1,5 (4.421-739.3)

POS	Article no.	Description	Quantity	Unit
7	4.363-691.0	O-Ring seal kpl. -nur fuer Ersatz-	1.000	ST



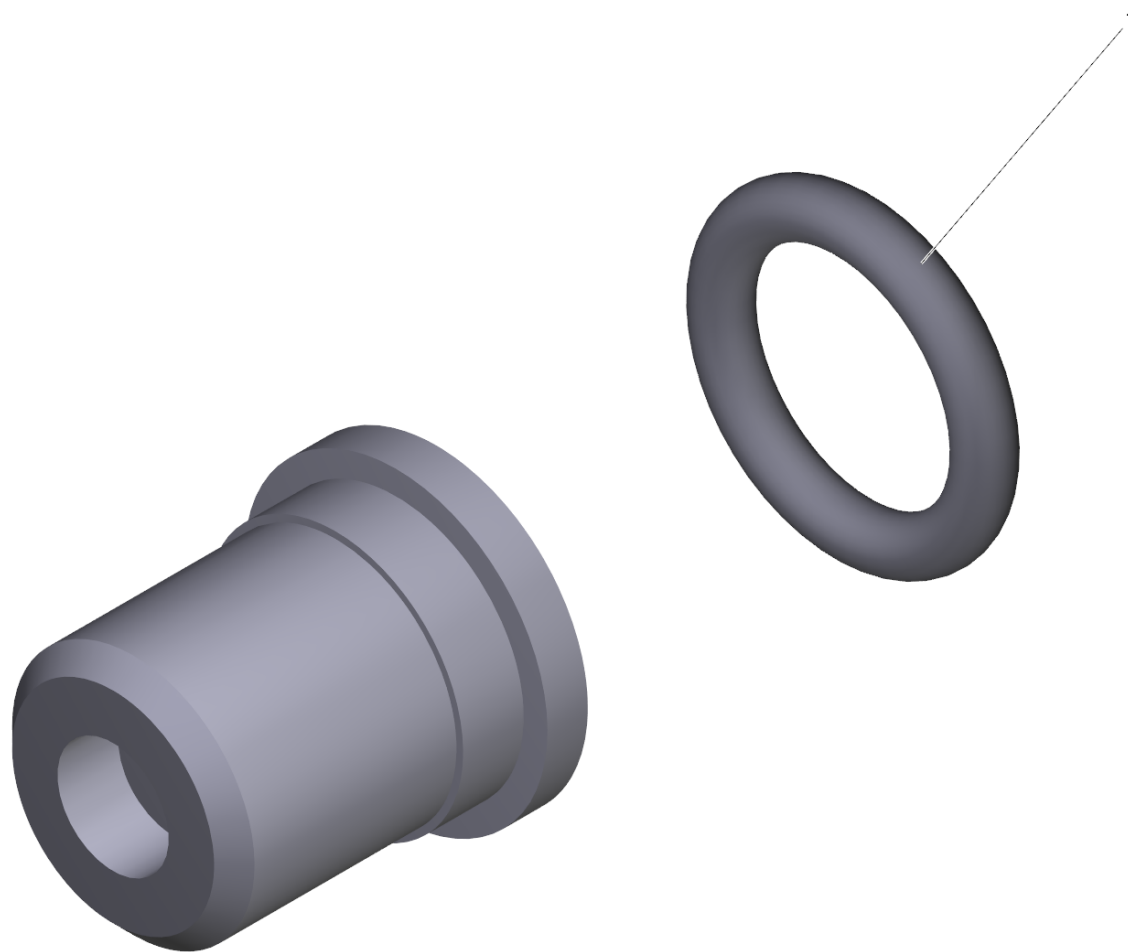
103 Jet pipe

POS	Article no.	Description	Quantity	Unit	Remark
1	4.760-660.0	Jet pipe packaged only for replacement	1.000	ST	
2	7.303-129.0	Screw 4x16 -10.9-R2R (K-In6Rd)	6.000	ST	
3	5.321-855.0	Handhold few jet pipe with welding bolt	1.000	ST	VERSION 2
3	5.321-691.0	Handhold few jet pipe	1.000	ST	VERSION 1
4	2.880-990.0	Spare part set O-Ring 5x -Kaercher	1.000	ST	
5	7.401-915.0	Sphere 2,5 G40 -1.4034 DIN 5401	20.000	ST	
6	4.363-692.0	Grooved ring kpl. -nur fuer Ersatz-	1.000	ST	
7	6.362-524.0	O-Ring seal 17,0 X 1,5	1.000	ST	
8	5.401-129.0	Screw connector part	1.000	ST	
9	2.885-049.0	Steam nozzle only for replacement 40065	1.000	ST	
	Item text1: 1.025-311.0 /-315.0 /-316.0 /-317.0 /				
9	2.883-829.0	Power nozzle 25043	1.000	ST	
	Item text1: /1.025-351.0 /-352.0				
9	2.883-399.0	Power nozzle 25050	1.000	ST	
	Item text1: 1.025-312.0				
9	2.883-804.0	Power nozzle 25048	1.000	ST	
	Item text1: / 1.025-311.0 / -315.0 / -316.0 / -317.0 / -318.0 / -319.0/ -320.0 / -324.0 / -325.0				



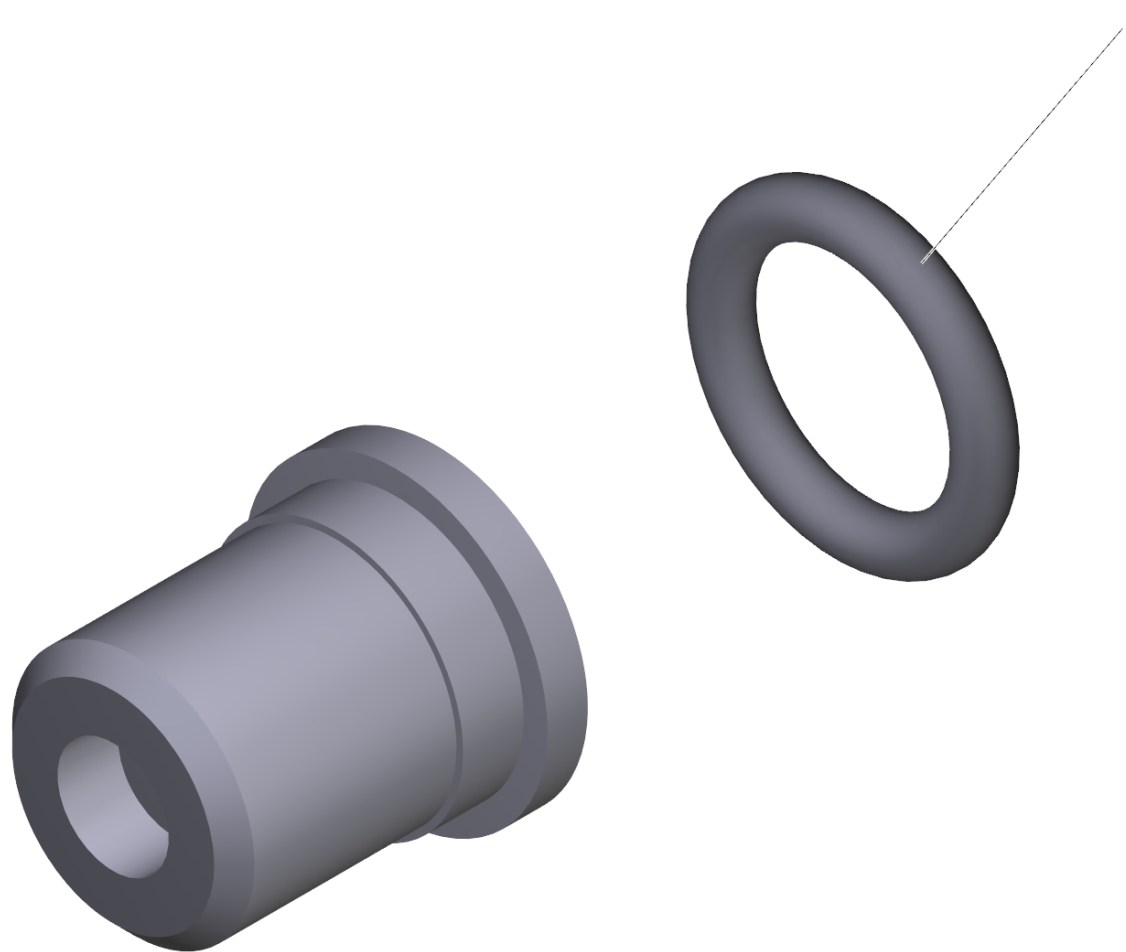
1 Jet pipe packaged only for replacement (4.760-660.0)

POS	Article no.	Description	Quantity	Unit
3	5.321-855.0	Handhold few jet pipe with welding bolt	1.000	ST
12	7.303-129.0	Screw 4x16 -10.9-R2R (K-In6Rd)	6.000	ST
13	4.363-692.0	Grooved ring kpl. -nur fuer Ersatz-	1.000	ST
14	5.401-210.0	Screw connector part	1.000	ST
15	6.362-524.0	O-Ring seal 17,0 X 1,5	1.000	ST
17	2.880-990.0	Spare part set O-Ring 5x -Kaercher	1.000	ST
18	7.401-915.0	Sphere 2,5 G40 -1.4034 DIN 5401	1.000	ST



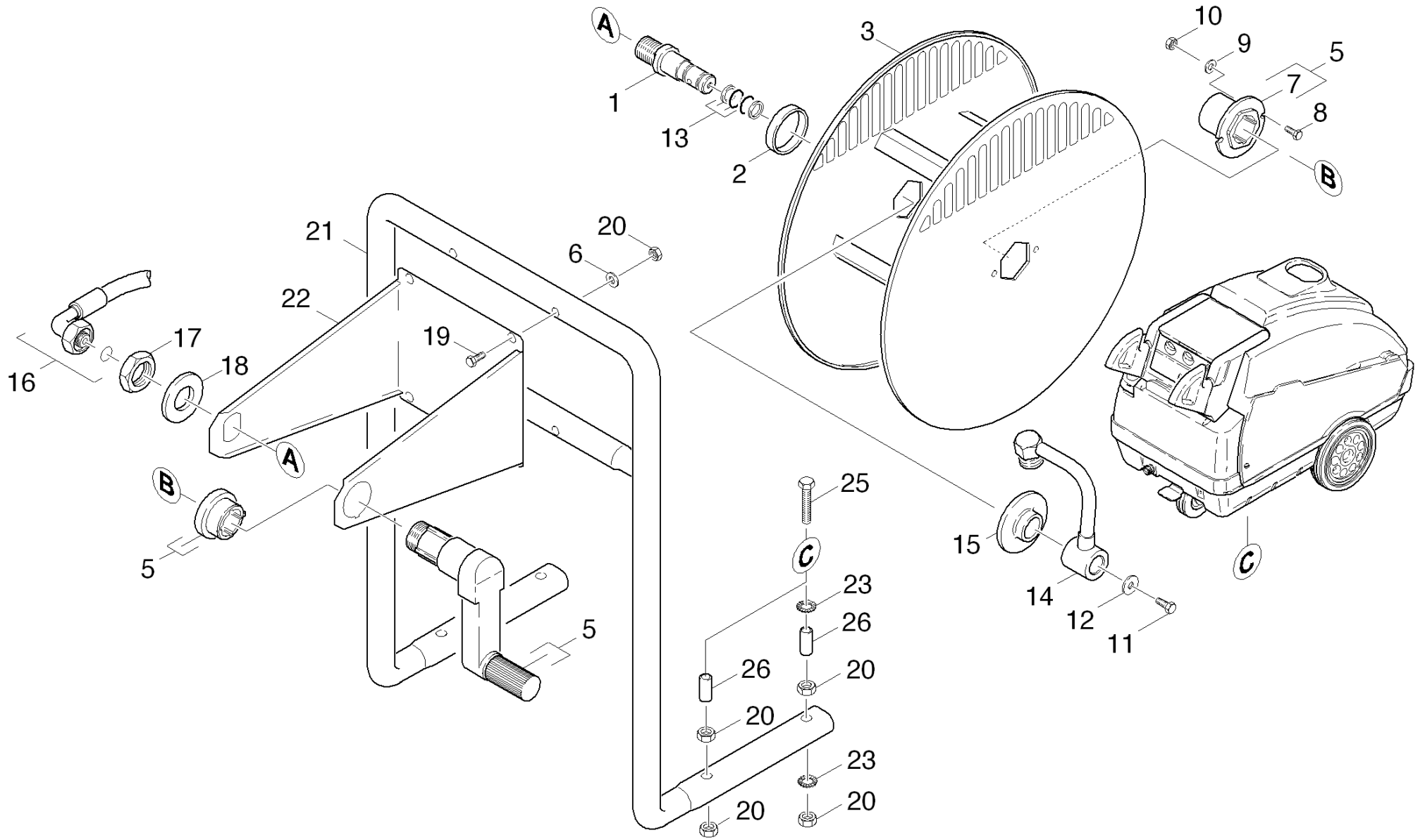
9 Power nozzle 25050 (2.883-399.0)

POS	Article no.	Description	Quantity	Unit
1	7.362-501.0	O-Ring seal 10x2 EPDM 70 DIN 3770	1.000	ST



9 Power nozzle 25048 (2.883-804.0)

POS	Article no.	Description	Quantity	Unit
1	7.362-501.0	O-Ring seal 10x2 EPDM 70 DIN 3770	1.000	ST

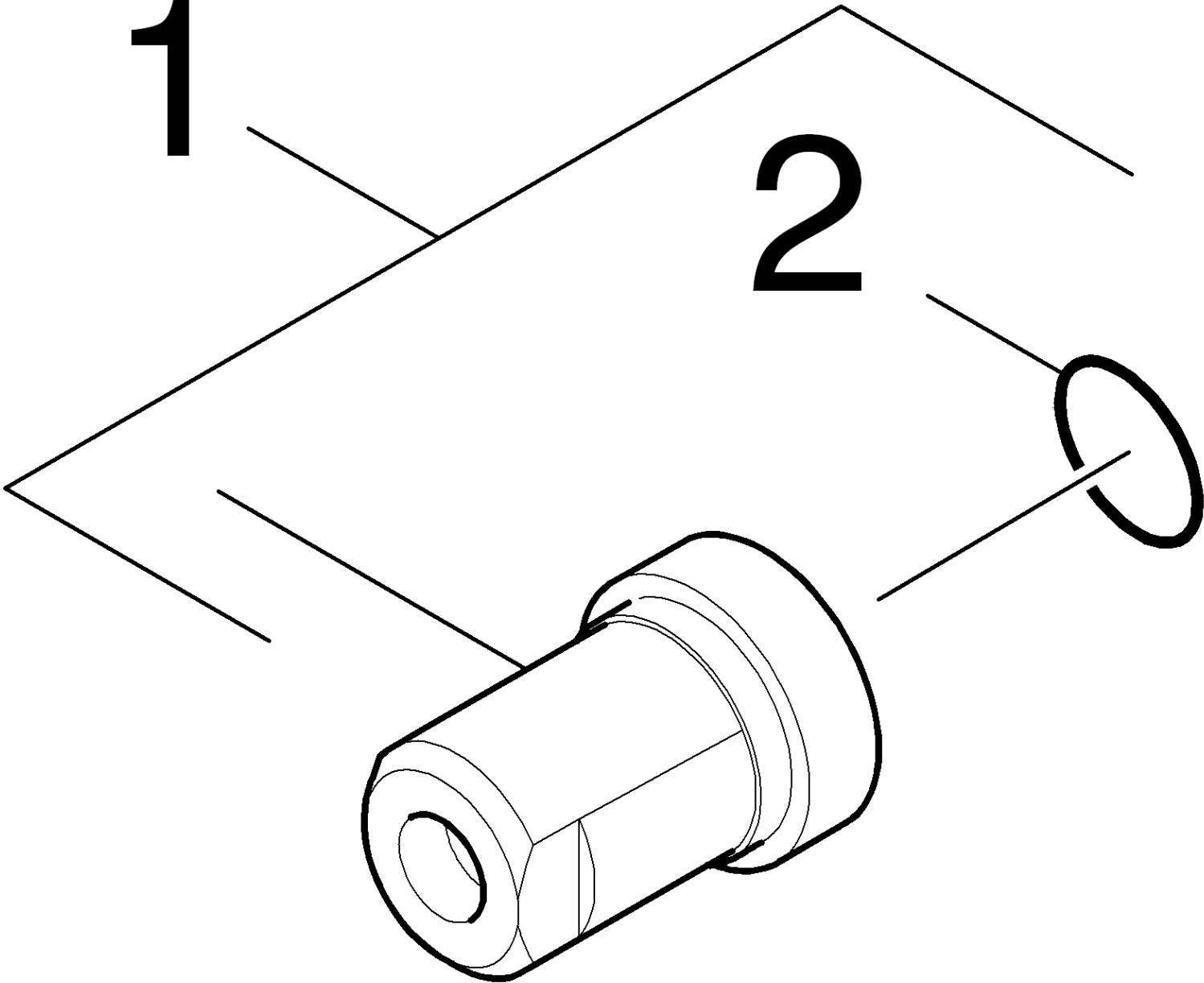


104 Hose reel

POS	Article no.	Description	Quantity	Unit
1	5.108-098.0	Pin	1.000	ST
	Item text1: / 1.025-316.0 /-317.0			
2	5.110-340.0	Sleeve	1.000	ST
	Item text1: / 1.025-316.0 /-317.0			
3	4.204-504.0	Hose reel	1.000	ST
	Item text1: / 1.025-316.0 /-317.0			
5	2.884-318.0	Spare part set hose reel	1.000	ST
	Item text1: / 1.025-316.0 /-317.0			
6	7.312-004.0	Washer 8 -200HV-A3E ISO 7089	4.000	ST
	Item text1: / 1.025-316.0 /-317.0			
7	5.112-304.0	Bush	1.000	ST
	Item text1: / 1.025-316.0 /-317.0			
8	7.306-058.0	Screw M 4X 12- 8.8-R2R K-IN6RD	2.000	ST
	Item text1: / 1.025-316.0 /-317.0			
9	7.312-001.0	Washer 4 -200HV-A3E ISO 7089	2.000	ST
	Item text1: / 1.025-316.0 /-317.0			
10	7.311-001.0	Hexagon nut M4 -6-A2E ISO 4032	2.000	ST
	Item text1: / 1.025-316.0 /-317.0			
11	7.306-190.0	Screw M6x8 -A2-70 (In6Rd)	1.000	ST
	Item text1: / 1.025-316.0 /-317.0			
12	7.312-260.0	Washer 6 -100HV-A3E ISO 7094	1.000	ST
	Item text1: / 1.025-316.0 /-317.0			
13	4.363-693.0	O-Ring seal kpl. -nur fuer Ersatz-	2.000	ST
	Item text1: / 1.025-316.0 /-317.0			
14	4.408-044.0	Tube elbow	1.000	ST
	Item text1: / 1.025-316.0 /-317.0			
15	5.112-305.0	Bush	1.000	ST
	Item text1: / 1.025-316.0 /-317.0			
16	6.390-123.0	Hose assembly DN8 40MPa 0,6m	1.000	ST
	Item text1: / 1.025-316.0 /-317.0			
17	7.311-155.0	Hexagon nut M22x1,5 -Cu2 DIN 936	1.000	ST
	Item text1: / 1.025-316.0 /-317.0			
18	7.312-024.0	Washer 22-200HV-A3E ISO7090	1.000	ST

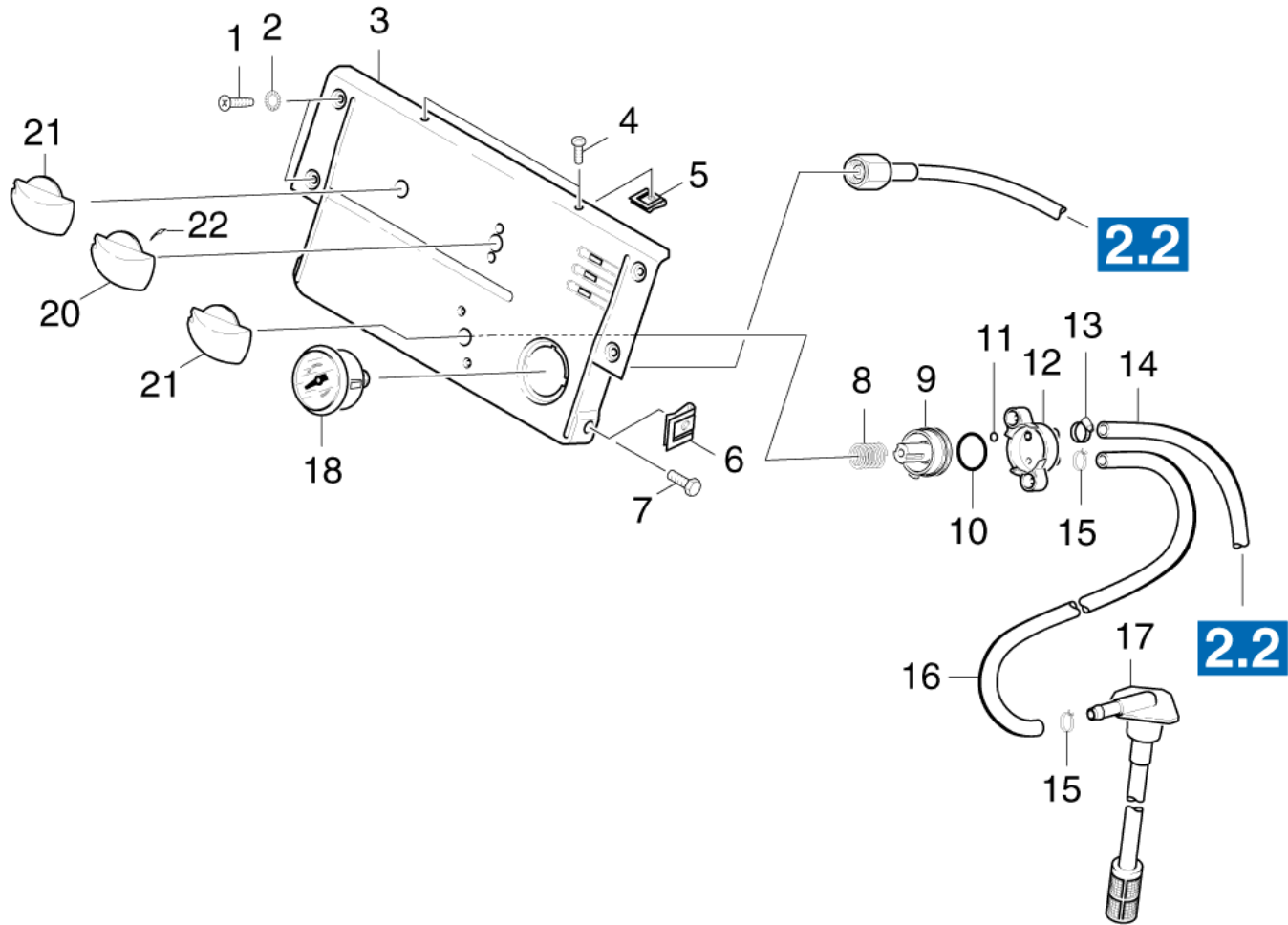
104 Hose reel

POS	Article no.	Description	Quantity	Unit
	Item text1: / 1.025-316.0 /-317.0			
19	7.306-044.0	Cylinder head screw M8x35 -8.8-A2E ISO4	4.000	ST
	Item text1: / 1.025-316.0 /-317.0			
20	7.311-004.0	Hexagon nut M8 -8-A3E ISO 4032	8.000	ST
	Item text1: / 1.025-316.0 /-317.0			
21	4.044-034.0	Holder complete	1.000	ST
	Item text1: / 1.025-316.0 /-317.0			
22	5.046-485.0	Sheet metal component	1.000	ST
	Item text1: / 1.025-316.0 /-317.0			
23	7.312-166.0	Toothed lock washer A8,4-FSt-A3E DIN 67	6.000	ST
	Item text1: / 1.025-316.0 /-317.0			
25	7.304-401.0	Hexagonal head screw M 8x60-8.8-A2E ISO	4.000	ST
	Item text1: / 1.025-316.0 /-317.0			
26	5.110-778.0	Sleeve	4.000	ST
	Item text1: / 1.025-316.0 /-317.0			



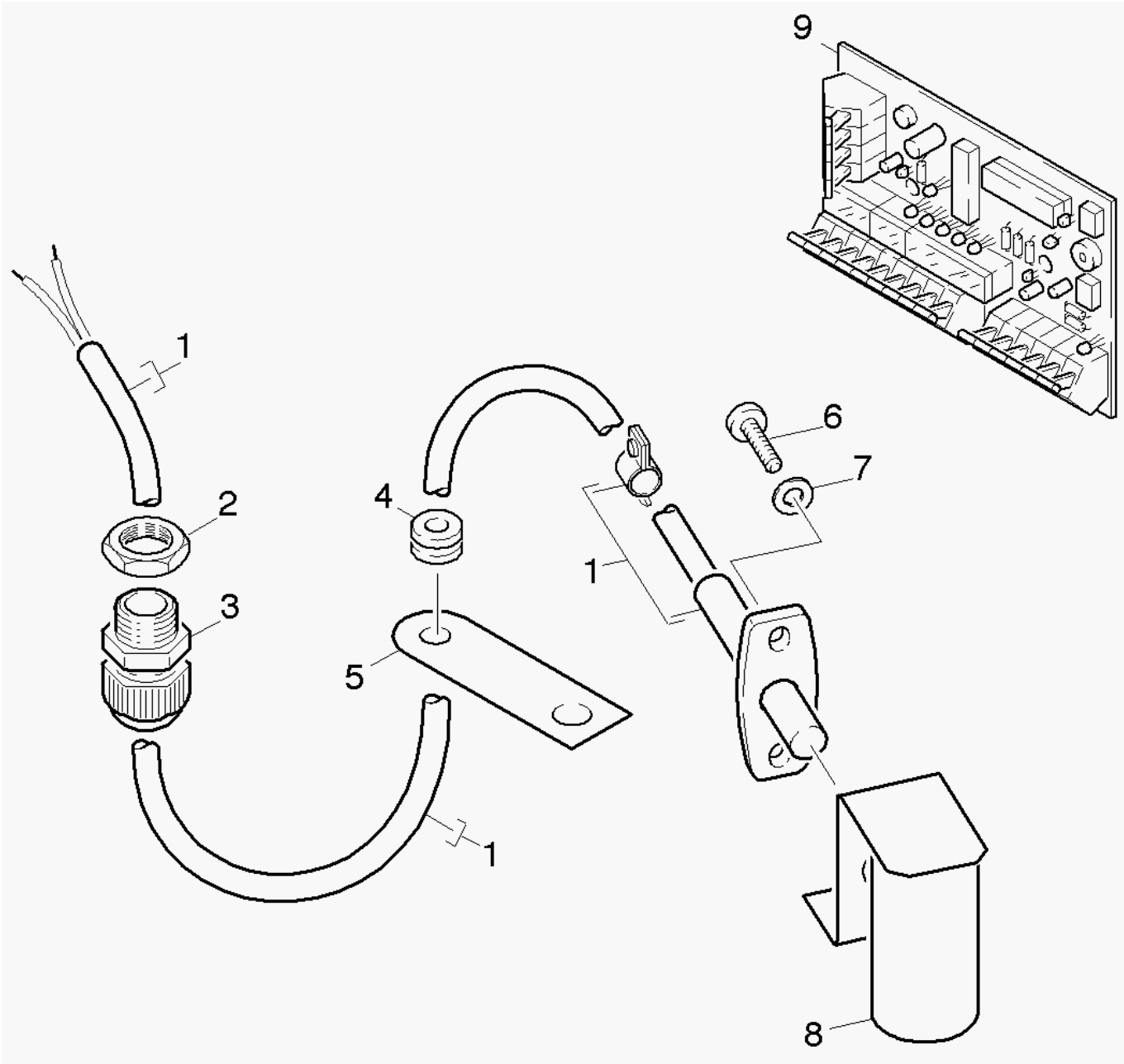
105 Steam nozzle

POS	Article no.	Description	Quantity	Unit
1	2.885-049.0	Steam nozzle only for replacement 40065	1.000	ST
		Item text1: 1.025-311.0 /-312.0 /-315.0 /-316.0 /		
		Item text2: -317.0 /-325.0		
2	7.362-501.0	O-Ring seal 10x2 EPDM 70 DIN 3770	1.000	ST



110 Control panel

POS	Article no.	Description	Quantity	Unit	Foot note text
1	7.303-038.0	Screw M5x12 -St-P2R (In6Rd)	4.000	ST	
2	7.312-172.0	Toothed lock washer A5,3-FSt-A3E DIN 67	4.000	ST	
3	5.841-471.0	Control panel	1.000	ST	
	Item text1: / 1.025-320.0 / -324.0				
3	5.841-542.0	Control panel neutrally	1.000	ST	
	Item text1: 1.025-352.0				
3	5.841-487.0	Control panel HDS 650-4M	1.000	ST	
	Item text1: /1.025-351.0				
3	5.841-468.0	Control panel	1.000	ST	
	Item text1: / 1.025-318.0 / -319.0				
3	5.841-463.0	Control panel	1.000	ST	
	Item text1: / 1.025-311.0 / -312.0 / -315.0 / -316.0				
	Item text2: / -317.0 / -325.0				
4	7.303-078.0	Sheet metal screw ST4,8X19-ST-P2R (KOMBI-IN6RD)	2.000	ST	
5	6.310-034.0	Speed nut	2.000	ST	
6	6.310-082.0	Putting nut M6	2.000	ST	
7	7.304-382.0	Hexagonal head screw M 6x12-8.8-A2E ISO	2.000	ST	
8	5.332-474.0	Helical spring	1.000	ST	
9	5.581-251.0	Valve seat	1.000	ST	
10	6.362-712.0	O-Ring seal 25,3 X 2,4	1.000	ST	
11	6.362-386.0	O-Ring seal 5,0 x 1,5-NBR 80	1.000	ST	
12	5.587-054.0	Valve housing	1.000	ST	
13	6.388-515.0	Hose clip	1.000	ST	
14	6.388-194.0	Hose DN 7	1.000	M	TO ORDER AS CUT GOODS
15	6.388-559.0	Hose clip	2.000	ST	
16	6.388-225.0	Hose DN 7	1.000	M	TO ORDER AS CUT GOODS
17	6.414-028.0	Filter	1.000	ST	
18	6.421-170.0	Pressure gauge 0-315 BAR	1.000	ST	
	Item text1: / 1.025-311.0 / -312.0 / -315.0 / -316.0				
	Item text2: / -317.0 / -325.0				
20	5.321-641.0	Handhold thermostat	1.000	ST	
21	5.321-633.0	Handhold	2.000	ST	
22	6.313-014.0	Spring element	1.000	ST	



120 Flame guard

POS	Article no.	Description	Quantity	Unit
1	6.664-030.0	Probe	1.000	ST
2	6.648-391.0	Cable gland grey M12x1,5	1.000	ST
3	6.648-422.0	Blind plug grey M12X1,5	1.000	ST
4	6.641-638.0	Wire protecting sleeve	1.000	ST
5	5.042-833.0	Holder	1.000	ST
6	7.303-033.0	Screw M4x16-ST-P2R (KOMBI-IN6RD	2.000	ST
7	7.312-001.0	Washer 4 -200HV-A3E ISO 7089	2.000	ST
8	4.043-246.0	Holder	1.000	ST
9	6.682-306.0	Circuit board burner	1.000	ST