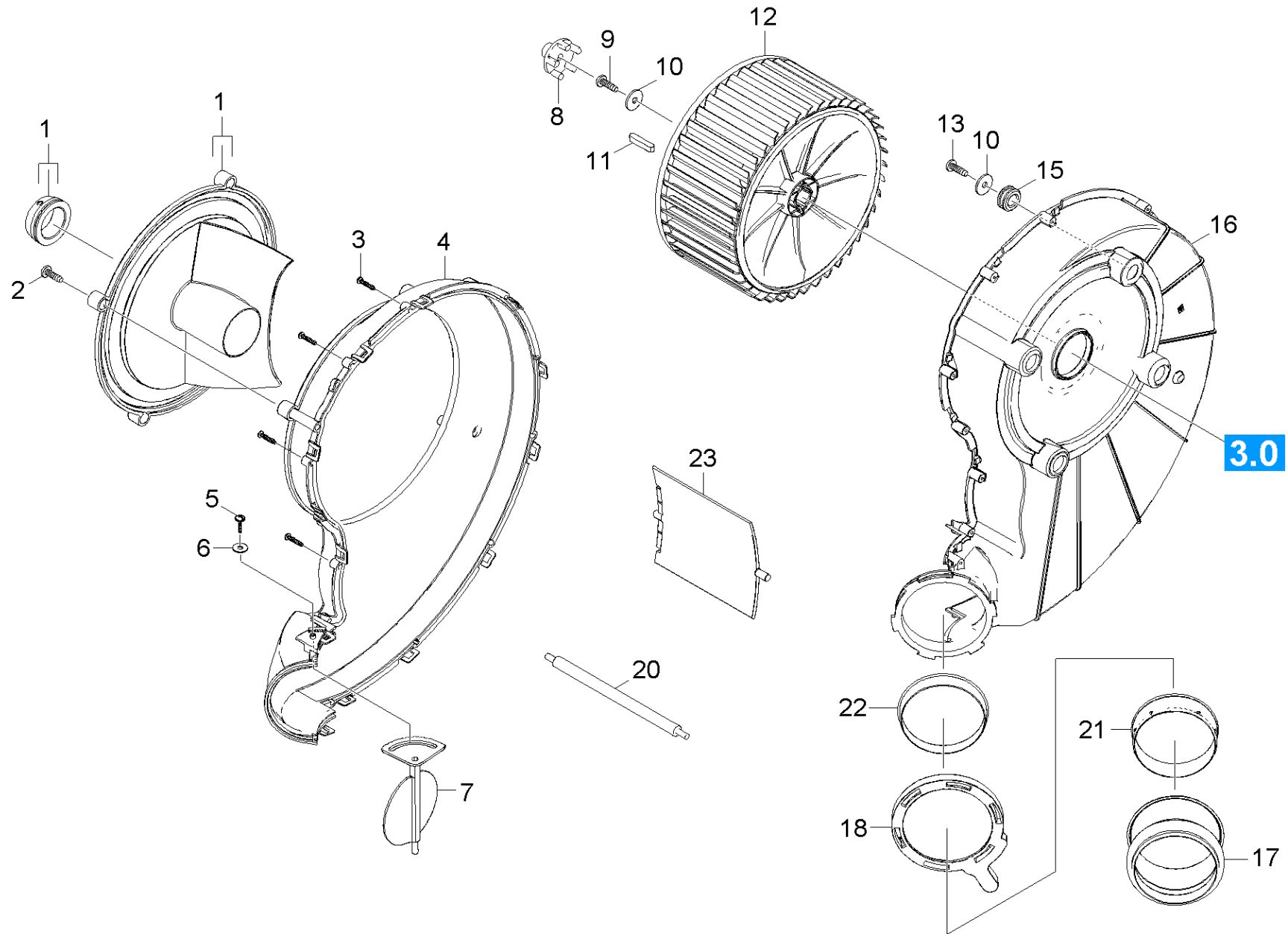


# 40 Blower

Overview technical documents/Professional/High pressure cleaner hotwater/Electric motor/HDS 13/15 -4S (60Hz) \*JP (1.071-805.0)/Spare parts list HDS 13/15-4S \*JP/40 Blower



## 40 Blower

Overview technical documents/Professional/High pressure cleaner hotwater/Electric motor/HDS 13/15 -4S (60Hz) \*JP (1.071-805.0)/Spare parts list HDS 13/15-4S \*JP/40 Blower

Rez.daļas/nodil.pakļ.daļas	Poz.	Materiāla Nr.	Nosaukums	Daudzums	Pārdoš. vienība
	1	5.064-266.0	Cover blower internal part	1.000	ST
	2	7.303-129.0	Skrūve 4x16 -10.9-R2R (K-In6Rd)	4.000	ST
	3	7.303-084.0	Skrūve 4x25 -10.9-R2R (K-In6Rd)	14.000	ST
	4	5.064-238.0	Cover blower	1.000	ST
X	5	7.303-107.0	Skrūve 5x16 -10.9-P2R (K-In6Rd)	1.000	ST
	6	7.312-278.0	washer	1.000	ST
	7	5.606-009.0	Gaisa aizbāznis	1.000	ST
X-X	8	5.471-097.0	Degvielas sūkņa sakabe	1.000	ST
	9	6.304-145.0	Skrūve M 6X20-R3R (IN6RD)	1.000	ST
	10	7.312-260.0	washer	5.000	ST
X-X	11	7.318-032.0	Prizm. ierīvis 6x6x32-C45R DIN 6885	2.000	ST
X-X	12	2.641-430.0	Conversion kit blower wheel	1.000	ST
	13	7.303-048.0	Screw M6x20 -St-R3R (In6Rd)	4.000	ST
	15	5.379-019.0	rubber ring	4.000	ST
	16	5.605-307.0	Housing	1.000	ST
	17	5.195-251.0	Seal air circulation	1.000	ST
	18	5.075-036.0	Closure	1.000	ST
	20	5.043-056.0	Holder	1.000	ST
	21	5.263-094.0	Tensioning part air circulation	1.000	ST
	22	5.263-096.0	Tensioning part air circulation	1.000	ST