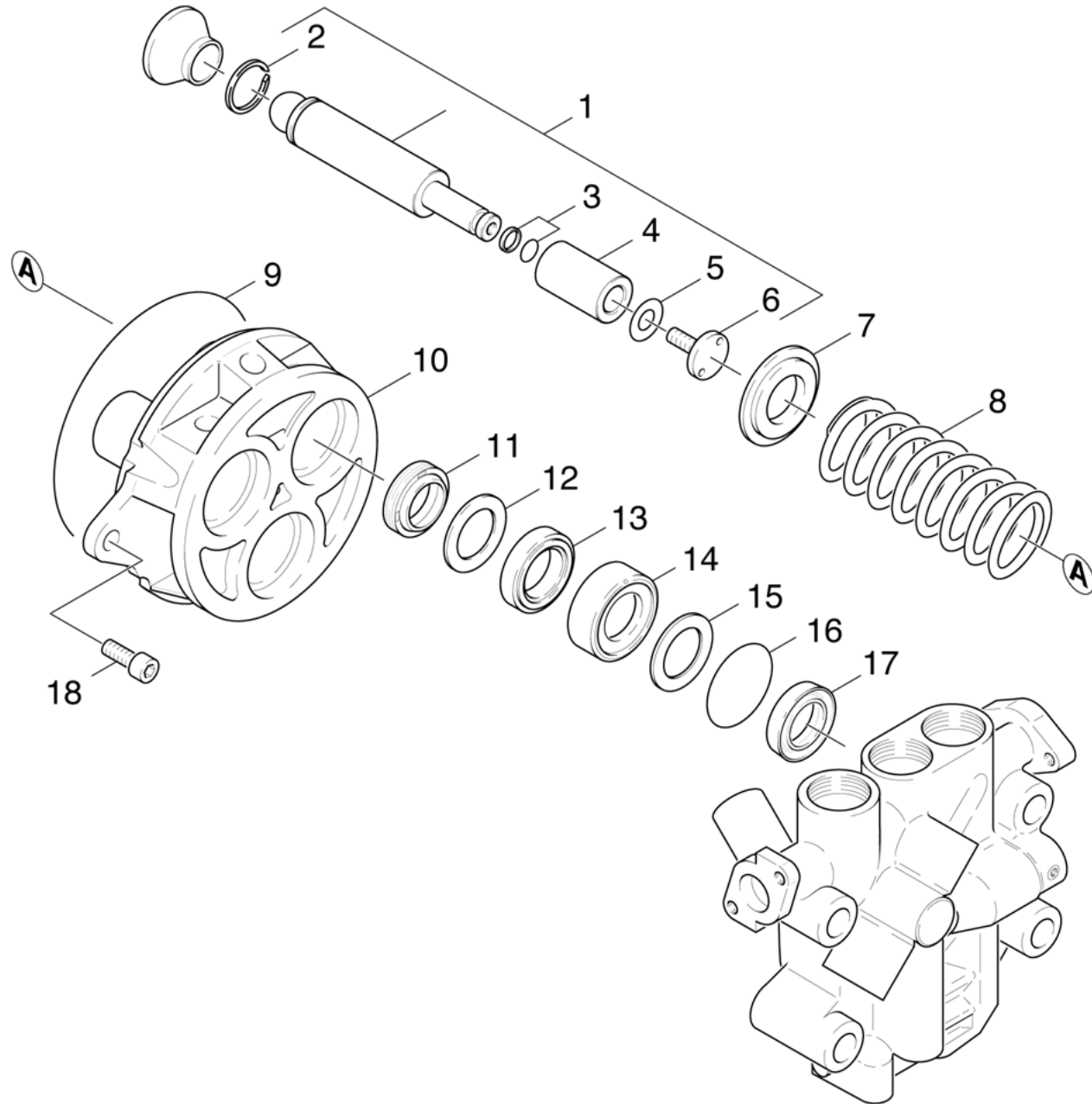


21 Piston

Professional \ High pressure cleaner hotwater \ Stationary \ HDS 1290 ST \ Documentation HDS1290ST \ Spare parts list HDS 1290 ST \ Pump set \ Piston



21 Piston

Professional \ High pressure cleaner hotwater \ Stationary \ HDS 1290 ST \ Documentation HDS1290ST \ Spare parts list HDS 1290 ST \ Pump set \ Piston

KÄRCHER

POS	Article no.	Description	Quantity	Unit
1	4.553-102.0	Piston	3.000	ST
2	6.343-144.0	Snap ring 24	3.000	ST
3	6.362-365.0	O-Ring seal complete 1ST.-R.- 7,65X 1,7	3.000	ST
4	5.110-369.0	Sleeve ceramic	3.000	ST
5	5.363-228.0	Joint ring	3.000	ST
6	5.305-166.0	Shaped screw	3.000	ST
7	5.115-315.0	Washer	3.000	ST
8	5.332-187.0	Helical spring	3.000	ST
9	6.362-447.0	O-Ring seal 115,0 X 1,78-NBR 70	1.000	ST
10	5.060-210.0	HOUSING HDS 1210	1.000	ST
11	6.365-068.0	Grooved ring 24X34X6/8	3.000	ST
12	5.115-314.0	Washer	2.000	ST
13	6.365-069.0	Compact seal 24X36X7	3.000	ST
14	5.112-213.0	Bush	3.000	ST
15	5.115-307.0	Washer	3.000	ST
16	6.362-216.0	O-Ring seal 40,0 X 2,0-NBR 70	3.000	ST
17	6.365-067.0	Grooved ring 24X34	3.000	ST
18	7.306-041.0	Cylinder head screw M8x20 -8.8-A2E ISO	2.000	ST
100	2.880-392.0	PUMP SET	1.000	ST