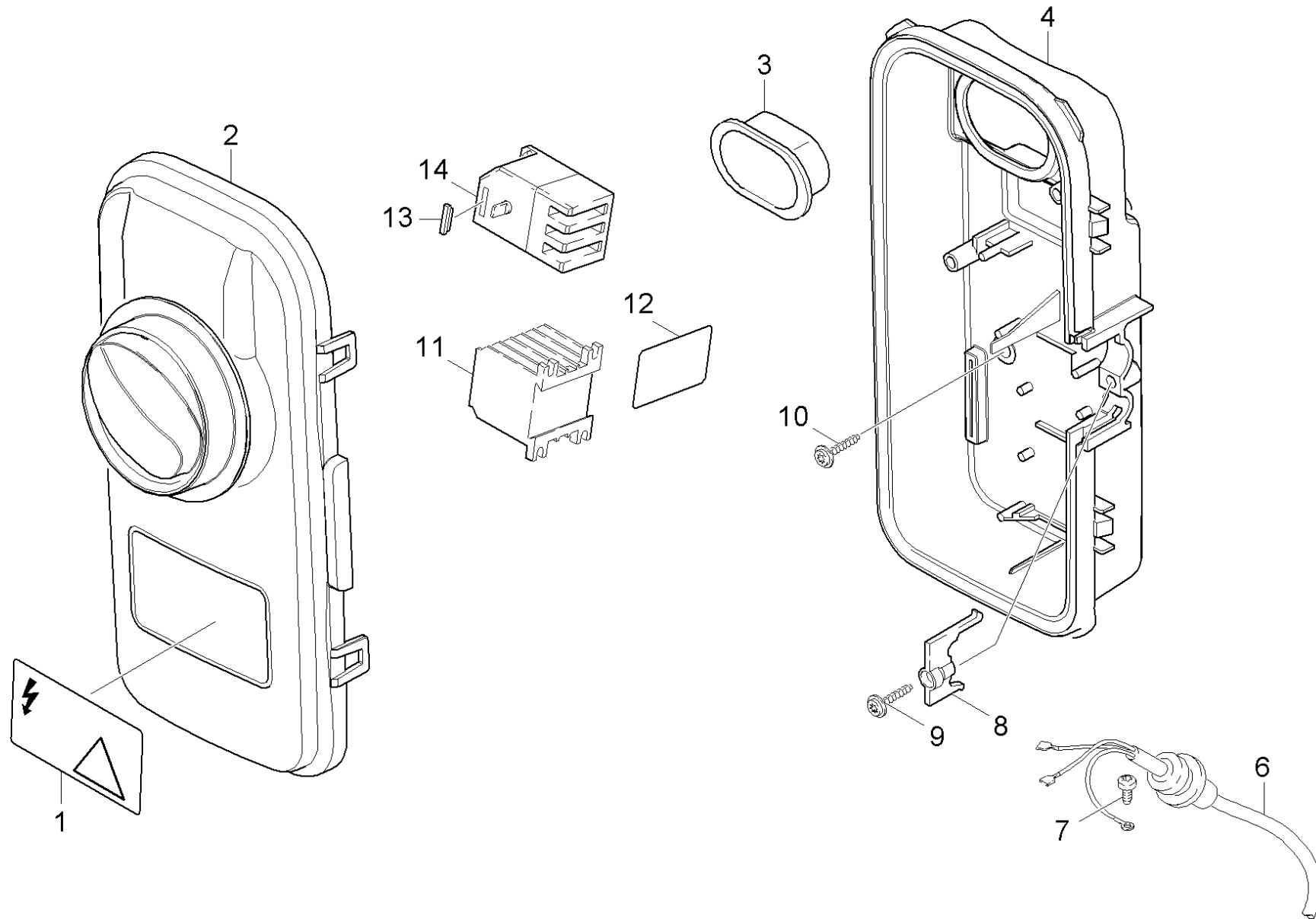


50 Electric box

Professional \ High pressure cleaner cold water \ Electric motor \ HD 7/18 C *EU-II \ Spare parts list HD 7/18 C *EUII \ Electric box



50 Electric box

Professional \ High pressure cleaner cold water \ Electric motor \ HD 7/18 C *EU-II \ Spare parts list HD 7/18 C *EUII \ Electric box

KÄRCHER

POS	Article no.	Description	Quantity	Unit
1	5.388-512.0	Label	1.000	ST
2	4.063-910.0	Cover complete only for replacement	1.000	ST
3	5.365-181.0	Profile gasket	1.000	ST
4	5.061-000.0	Housing	1.000	ST
6	6.649-185.0	Cable without plug	1.000	ST
7	7.303-031.0	Screw M4x10 -St-P2R (In6Rd)	1.000	ST
8	5.263-051.0	Tensioning part	1.000	ST
9	7.303-109.0	Screw 5x25 -10.9-R2R (In6Rd)	1.000	ST
10	6.303-153.0	Screw M5x15-ST-R2R (IN6RD)	3.000	ST
11	6.632-281.0	Contactora 230 V	1.000	ST
12	5.048-251.0	Plate	1.000	ST
13	6.630-049.0	Cap	1.000	ST
14	6.631-190.0	Motor protecting switch	1.000	ST