

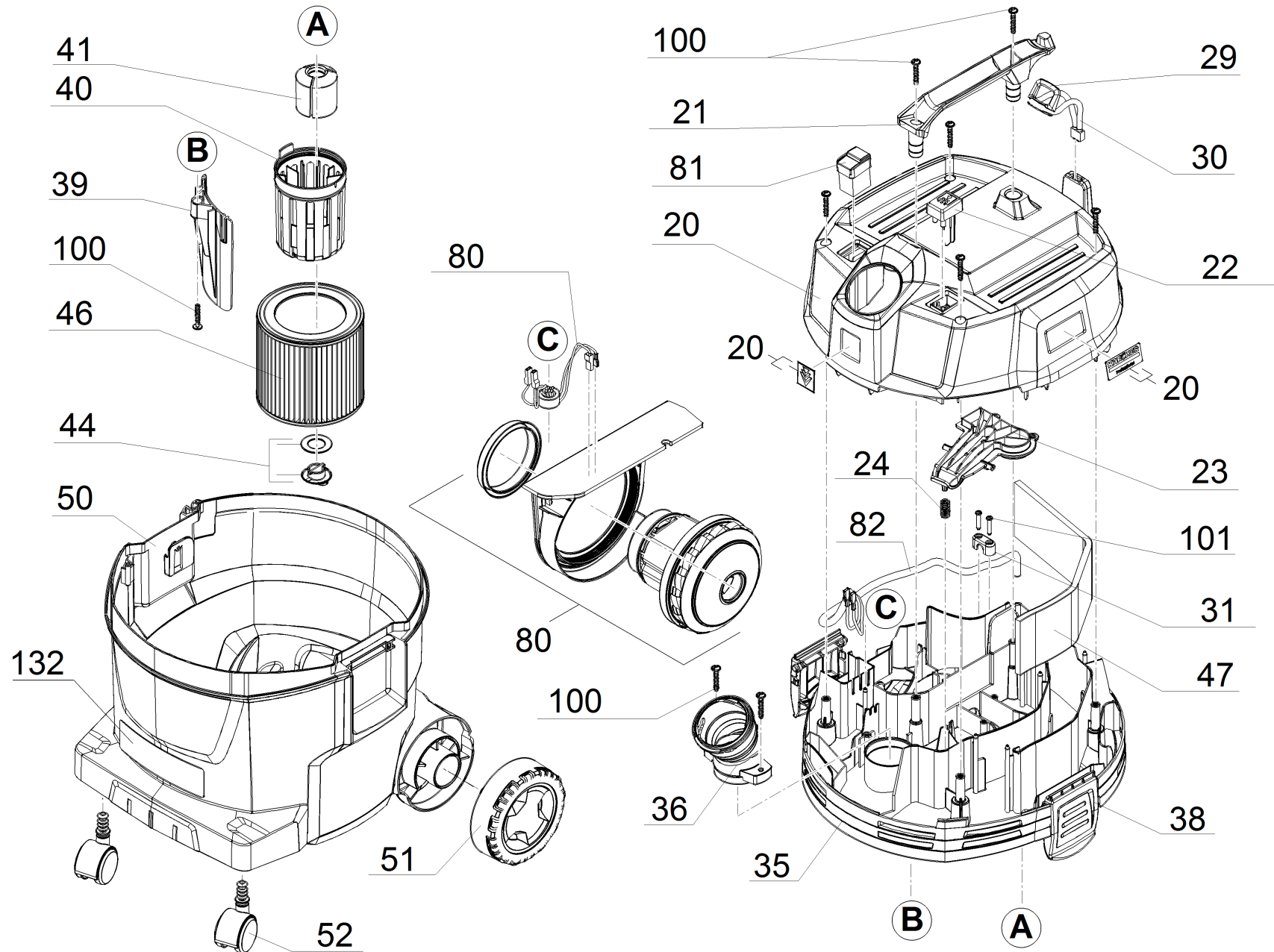
## **Spare parts list**

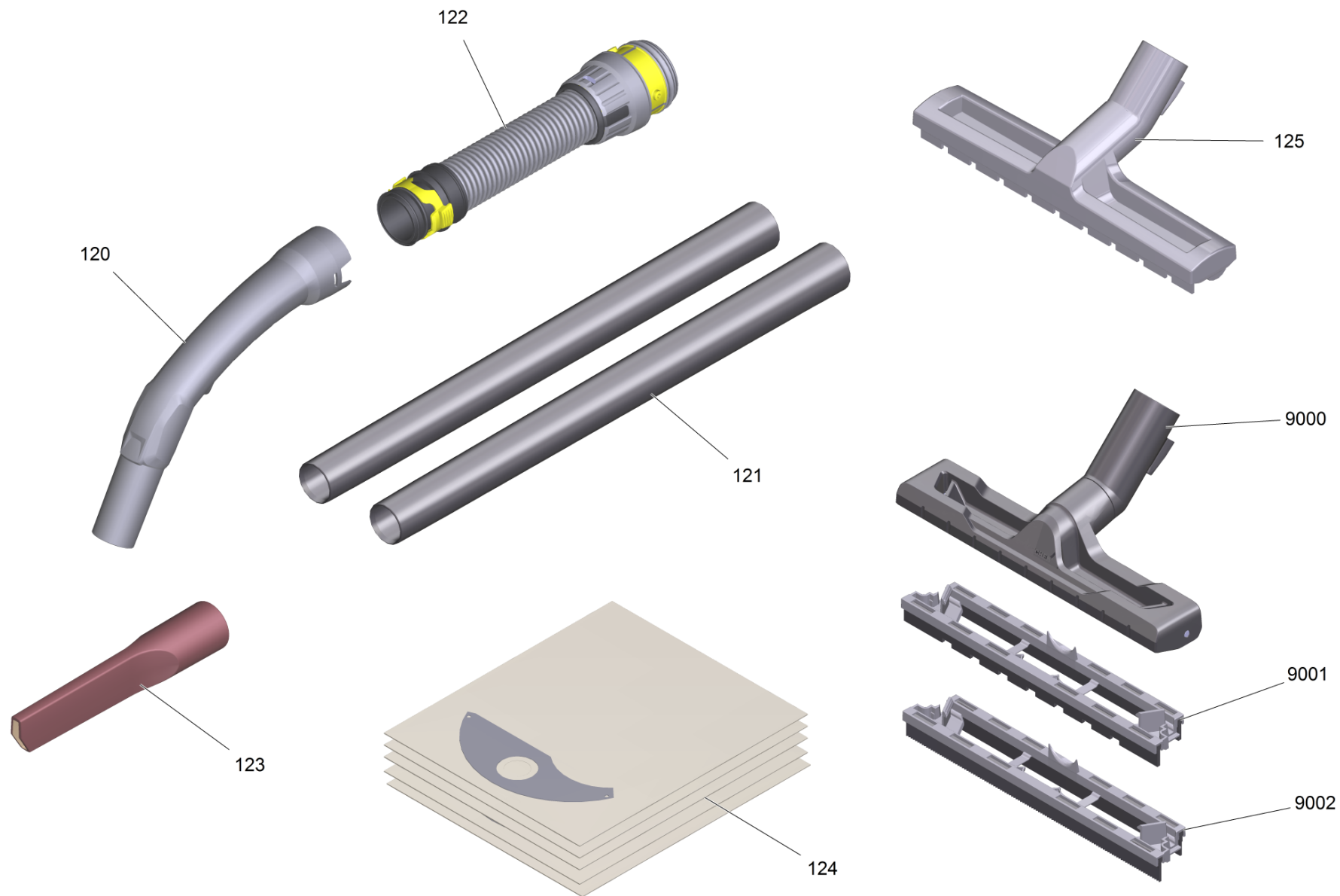
(1.378-600.0) NT 22/1 Ap L \*EU

## Table of contents

---

NT 22/1 Ap L *EU (1.378-600.0)	3
122 Suction hose complete NW35 1.9m (4.440-085.3)	7
10 Repair set NW35 (2.889-149.0)	8
125 Floor tool packaged grey DN 35 300mm (2.889-263.0)	10





POS	Article no.	Description	Quantity	Unit
20	4.066-040.0	Cover complete only for replacement	1.000	ST
21	5.322-265.3	Handhold	1.000	ST
22	5.324-188.0	Pushbutton dedusting	1.000	ST
23	5.036-176.0	Flap dedusting	1.000	ST
24	5.332-997.0	Helical spring	1.000	ST
29	5.034-294.0	Handle rope	1.000	ST
30	6.907-623.0	Loop	1.000	ST
31	5.034-505.0	Retaining bracket cable	1.000	ST
35	5.605-086.0	Housing base plate	1.000	ST
36	5.034-284.0	Suction connection NT 22/1	1.000	ST
38	5.034-021.0	Strap closure RAL 1018	2.000	ST
39	5.036-200.0	FILTER PROTECTION	1.000	ST
40	5.032-108.0	Filtering basket NT 22/1	1.000	ST
41	5.585-054.0	Floater	1.000	ST
44	4.075-012.0	Closure complete	1.000	ST
46	2.889-219.0	Cartridge filter packaged PES	1.000	ST
47	5.286-015.3	Insulating mat air circulation 1	1.000	ST
50	5.070-184.3	Tank NT 22/1	1.000	ST
51	5.515-224.0	Wheel D120	2.000	ST
52	6.435-420.0	Double castor	2.000	ST
80	4.610-057.0	Vac motor complete replacement	1.000	ST
81	6.630-834.0	Switch for version Ap	1.000	ST
82	6.650-818.3	Power cable 6m PVC *EU	1.000	ST
96	6.641-458.0	Cable tape	1.000	ST
100	7.303-086.0	Screw 5x30 -10.9-R2R (K-In6Rd)	11.000	ST
101	6.303-150.0	Screw 4,2x 22	2.000	ST
120	2.889-199.0	Elbow packaged NW35 1K	1.000	ST
121	2.889-218.0	Set suction tube DN35 505mm	1.000	ST
122	4.440-085.3	Suction hose complete NW35 1.9m	1.000	ST
123	2.889-159.0	Crevice nozzle wet and dry packaged NW35	1.000	ST
124	2.889-217.0	Filter bags fleece 5ST	1.000	ST
125	2.889-263.0	Floor tool packaged grey DN 35 300mm	1.000	ST
132	5.392-837.0	Label L-label	1.000	ST

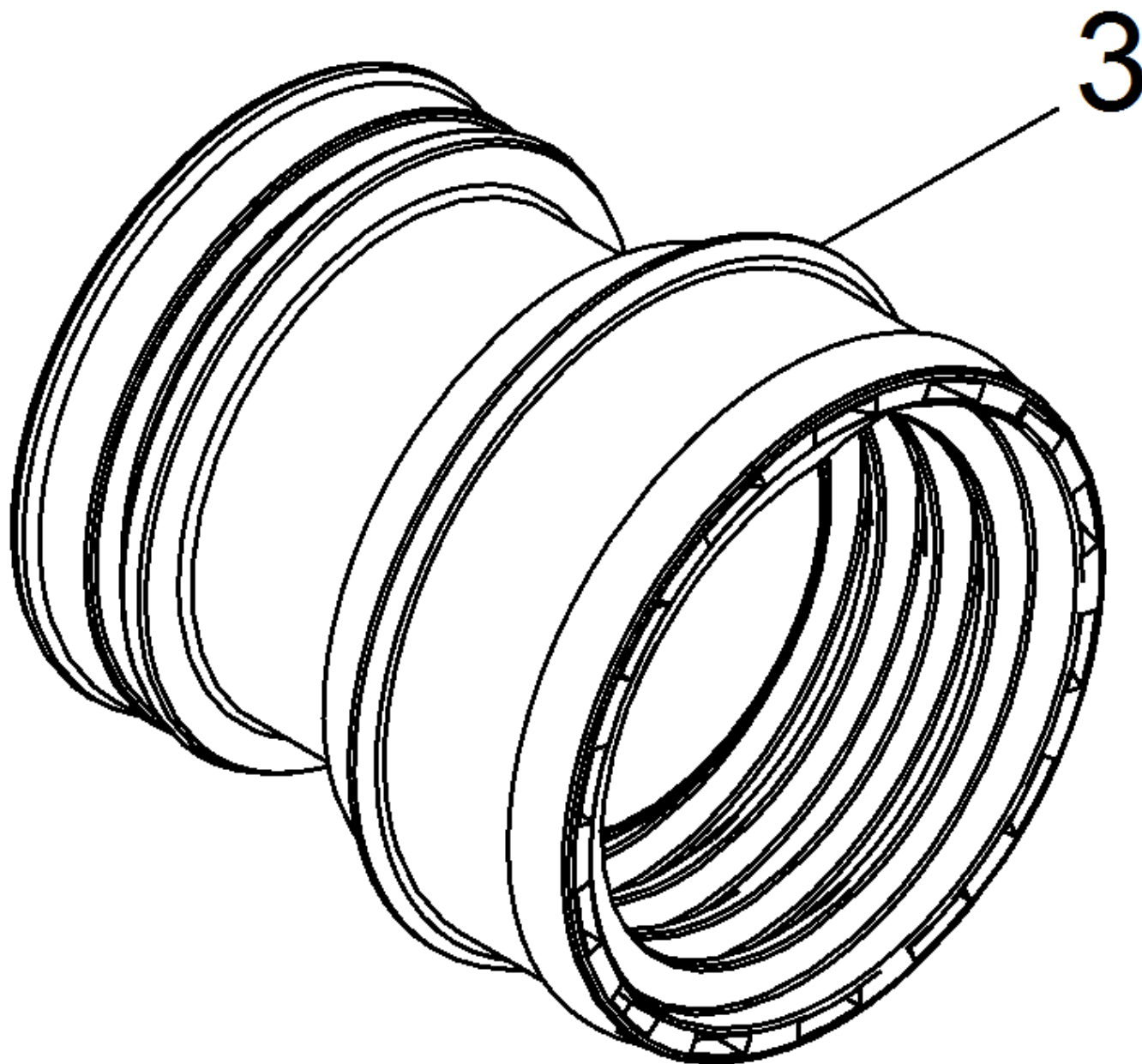
<b>POS</b>	<b>Article no.</b>	<b>Description</b>	<b>Quantity</b>	<b>Unit</b>
9000	4.629-013.0	Floor tool clip packaged	1.000	ST
9001	4.629-015.0	Insert dry floor nozzle packaged	1.000	ST
9002	4.629-014.0	Insert wet floor nozzle packaged	1.000	ST

122 Suction hose complete NW35 1.9m (4.440-085.3)

---

<b>POS</b>	<b>Article no.</b>	<b>Description</b>	<b>Quantity</b>	<b>Unit</b>
10	2.889-149.0	Repair set NW35	1.000	ST

---

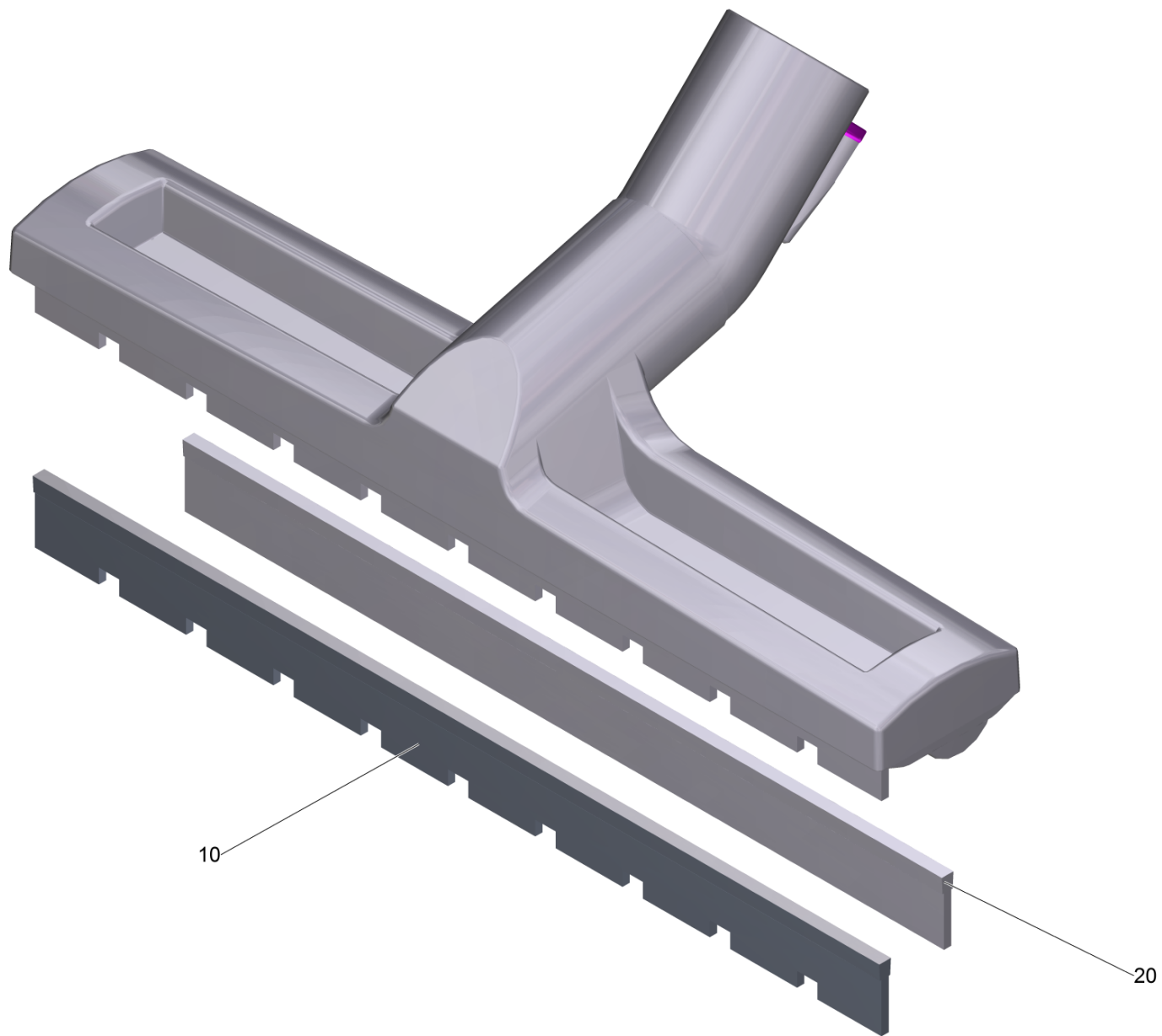




10 Repair set NW35 (2.889-149.0)

---

<b>POS</b>	<b>Article no.</b>	<b>Description</b>	<b>Quantity</b>	<b>Unit</b>
3	5.406-005.0	Threaded ring electrically conducting NW	1.000	ST



125 Floor tool packaged grey DN 35 300mm (2.889-263.0)

---

<b>POS</b>	<b>Article no.</b>	<b>Description</b>	<b>Quantity</b>	<b>Unit</b>
10	6.903-278.0	Brush strips set	1.000	ST
20	6.903-277.0	Set suction lips	1.000	ST