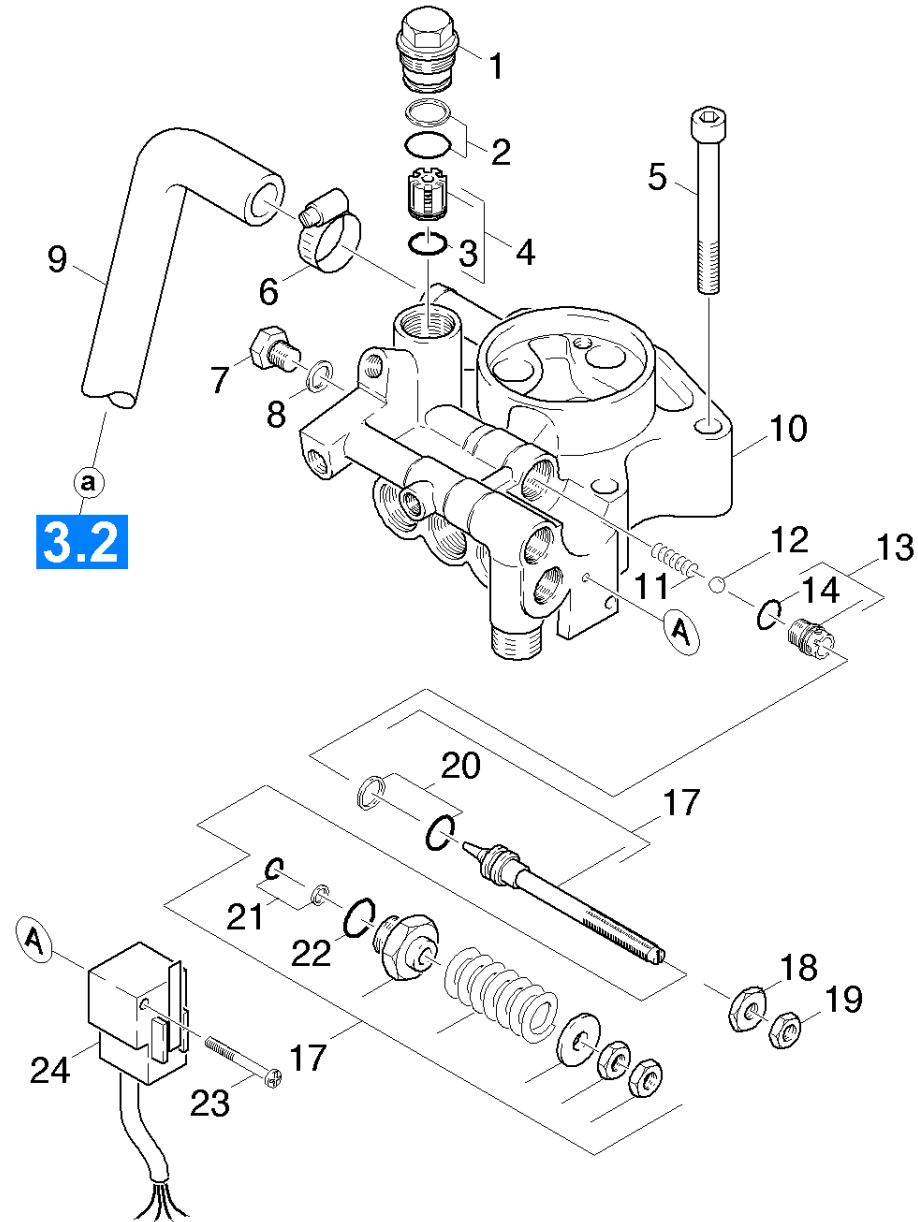


22 Cylinder head

Overview technical documents/Professional/High pressure cleaner cold water/Electric motor/HD 1294 PLUS *EU-II (1.112-853.0)/Spare parts list HD 1294/20 Pump set/22 Cylinder head



22 Cylinder head

Overview technical documents/Professional/High pressure cleaner cold water/Electric motor/HD 1294 PLUS *EU-II (1.112-853.0)/Spare parts list HD 1294/20 Pump set/22 Cylinder head

Rez.daļas/nodil.pakļ.daļas	Poz.	Materiāla Nr.	Nosaukums	Daudzums	Pārdoš. vienība	no sēr. Nr..	līdz sēr. Nr.
	1	5.583-125.0	Valve screw	1.000	ST	0000000000	0000000000
X-X	2	6.362-500.0	Gredzenblīve, pilns komplekts 1ST.-R.	1.000	ST	0000000000	0000000000
	3	6.362-381.0	Gredzenblīve 13x2 - NBR 70	1.000	ST	0000000000	0000000000
X-X	4	4.580-262.0	Valve complete	1.000	ST	0000000000	0000000000
X-X	5	7.306-091.0	Cil. galvas skr. M12x90- 8.8-A3E ISO	4.000	ST	0000000000	0000000000
	7	5.411-117.0	Screw plug	1.000	ST	0000000000	0000000000
X-X	8	7.362-004.0	Blīvgredzens A12x15,5 -Cu DIN 7603	1.000	ST	0000000000	0000000000
	9	5.442-833.0	Piece of tube	1.000	ST	0000000000	0000000000
	10	5.550-229.0	Cylinder head	1.000	ST	0000000000	0000000000
X	11	5.332-999.0	threaded ring from 5.332-110.0	1.000	ST	0000000000	0000000000
	12	7.401-907.0	Sfēra 3/8 G200-1.4301 DIN 5401	1.000	ST	0000000000	0000000000
X-X	13	4.581-019.0	Valve seat	1.000	ST	0000000000	0000000000
	14	6.362-858.0	Gredzenblīve 11,0 X 1,5	1.000	ST	0000000000	0000000000
	17	4.591-028.0	Overflow valve	1.000	ST	0000000000	0000000000
	18	5.311-177.0	Hexagon nute	1.000	ST	0000000000	0000000000
	19	7.311-004.0	Hexagon nut	1.000	ST	0000000000	0000000000
X-X	20	6.362-575.0	Gredzenblīve 12,42 KOMPL	1.000	ST	0000000000	0000000000
X-X	21	6.362-365.0	Blīve, pilns kpl. 1ST.-R.- 7,65X 1,7	1.000	ST	0000000000	0000000000
	22	6.362-445.0	O-ring seal	1.000	ST	0000000000	0000000000
	23	7.306-320.0	Oval head screw M 5x40-A2-70 ISO 7045	1.000	ST	0000000000	0000000000
X	24	6.630-008.0	Mikroslēdzis	1.000	ST	0000000000	0000000000
X	100	2.883-849.0	Pump set HD 1290 S	1.000	ST	0000000000	0000000000