

Spare parts list

(1.025-341.0) HDS SUPER *EU-I

Table of contents

HDS SUPER *EU-I (1.025-341.0)	4
Spare parts list HDS SUPER *EUR (5.958-712.0)	5
10 Individual parts	6
11 Cover	7
12 Base frame	9
13 Handhold	11
20 Pump set	13
21 Piston	14
100 Spare part set pump (2.883-972.0)	16
22 Cylinder head	17
10 Piston complete only for replacement (4.553-197.0)	20
25 Piston complete only for replacement (4.553-198.0)	22
32 Valve (3 Stueck) (2.884-512.0)	24
100 Spare part set pump (2.883-972.0)	26
23 Cylinder head	27
10 Piston complete only for replacement (4.553-197.0)	30
25 Piston complete only for replacement (4.553-198.0)	32
32 Valve (3 Stueck) (2.884-512.0)	34
100 Spare part set pump (2.883-972.0)	36
24 Cylinder head	37
10 Piston complete only for replacement (4.553-197.0)	40
25 Piston complete only for replacement (4.553-198.0)	42
32 Valve (3 Stueck) (2.884-512.0)	44
100 Spare part set pump (2.883-972.0)	46
25 Switch	47
30 Motor	49
40 Blower	52
50 Fuel system	54
51 Fuel pump	55
52 Fuel pump	57
60 Electric control box	59
61 Top part	60
62 Bottom part	62
21 Spare parts set ignition transformer (2.883-791.0)	65
70 Flow heater	66
71 Burner cover	67
8 Cover pressure boiler (4.654-218.0)	69
11 Conversion kit ignition electrode (2.638-974.0)	71

Table of contents

72 Heating coil	73
73 Burner bottom	75
2 Bottom pressure boiler (4.655-044.0)	77
80 Float chest	79
81 Float chest	80
82 DGT	82
90 Safety system	84
91 Safety system	85
6 Reed switch replacement (2.880-194.0)	87
92 Safety system	88
6 Reed switch replacement (2.880-194.0)	90
100 Accessories	91
101 Hand trigger gun	92
102 Hand trigger gun	94
1 HAND TRIGGER GUN EASY PRESS (4.775-463.0)	96
9002 Lever complete (4.481-209.0)	98
4 Lever complete (4.481-209.0)	100
9 Rotary controller 416L (4.775-470.0)	102
103 High pressure hose	104
104 Jet pipe	106
Jet pipe packaged only for replacement (4.760-660.0)	108
13 Power nozzle 25050 (2.883-399.0)	110
105 Jet pipe	112
1 Jet pipe packaged only for replacement (4.760-660.0)	114
9 Power nozzle 25050 (2.883-399.0)	116
106 Hose reel	118
110 Control panel	121

HDS SUPER *EU-I (1.025-341.0)

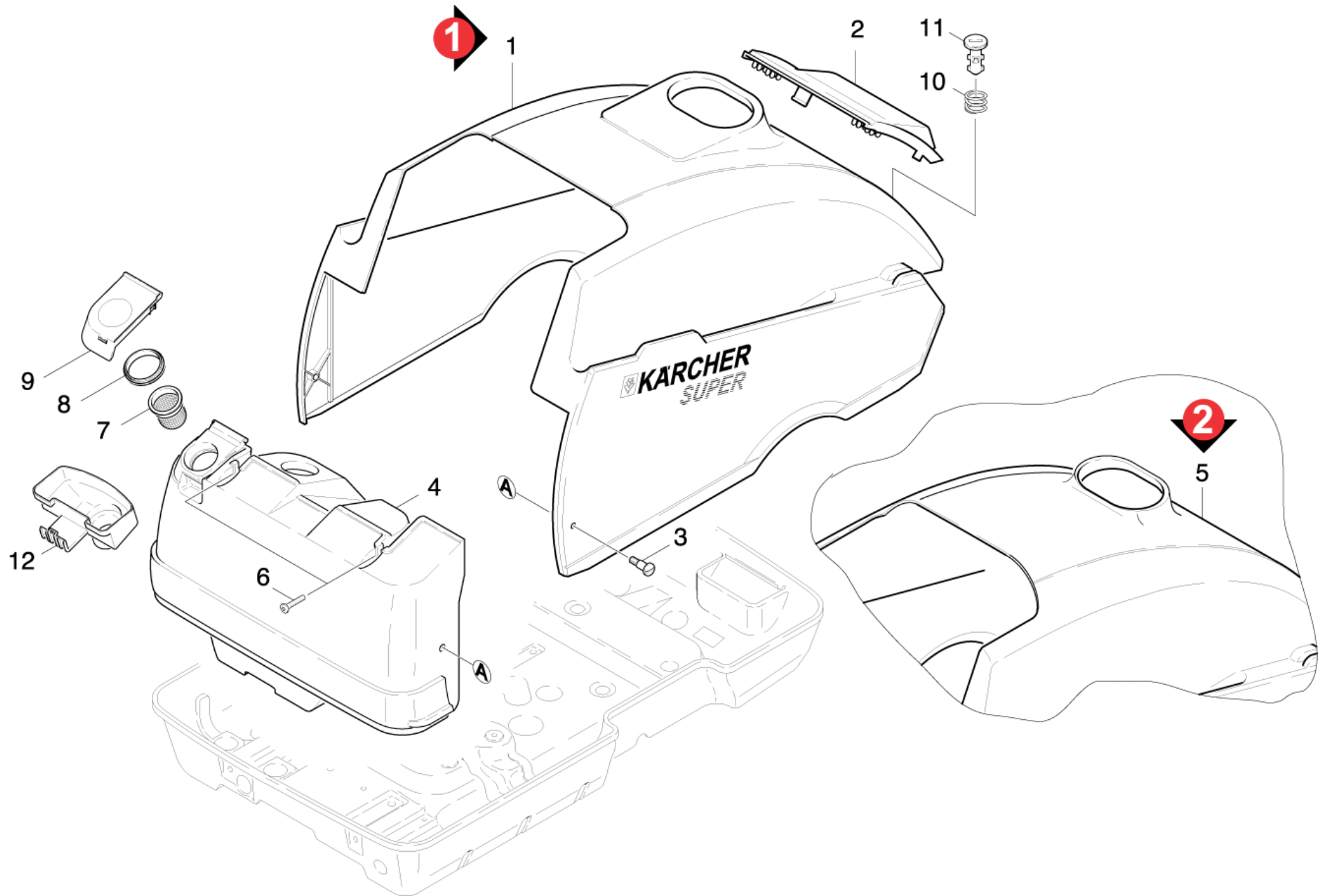
POS	Article no.	Description	Quantity	Unit
0	5.958-712.0	Spare parts list HDS SUPER *EUR	1.000	ST
	Item text2: 10253410			

Spare parts list HDS SUPER *EUR (5.958-712.0)

POS	Description	Quantity	Unit
100	Accessories	1.000	ST
40	Blower	1.000	ST
110	Control panel	1.000	ST
60	Electric control box	1.000	ST
80	Float chest	1.000	ST
70	Flow heater	1.000	ST
50	Fuel system	1.000	ST
10	Individual parts	1.000	ST
30	Motor	1.000	ST
20	Pump set	1.000	ST
90	Safety system	1.000	ST

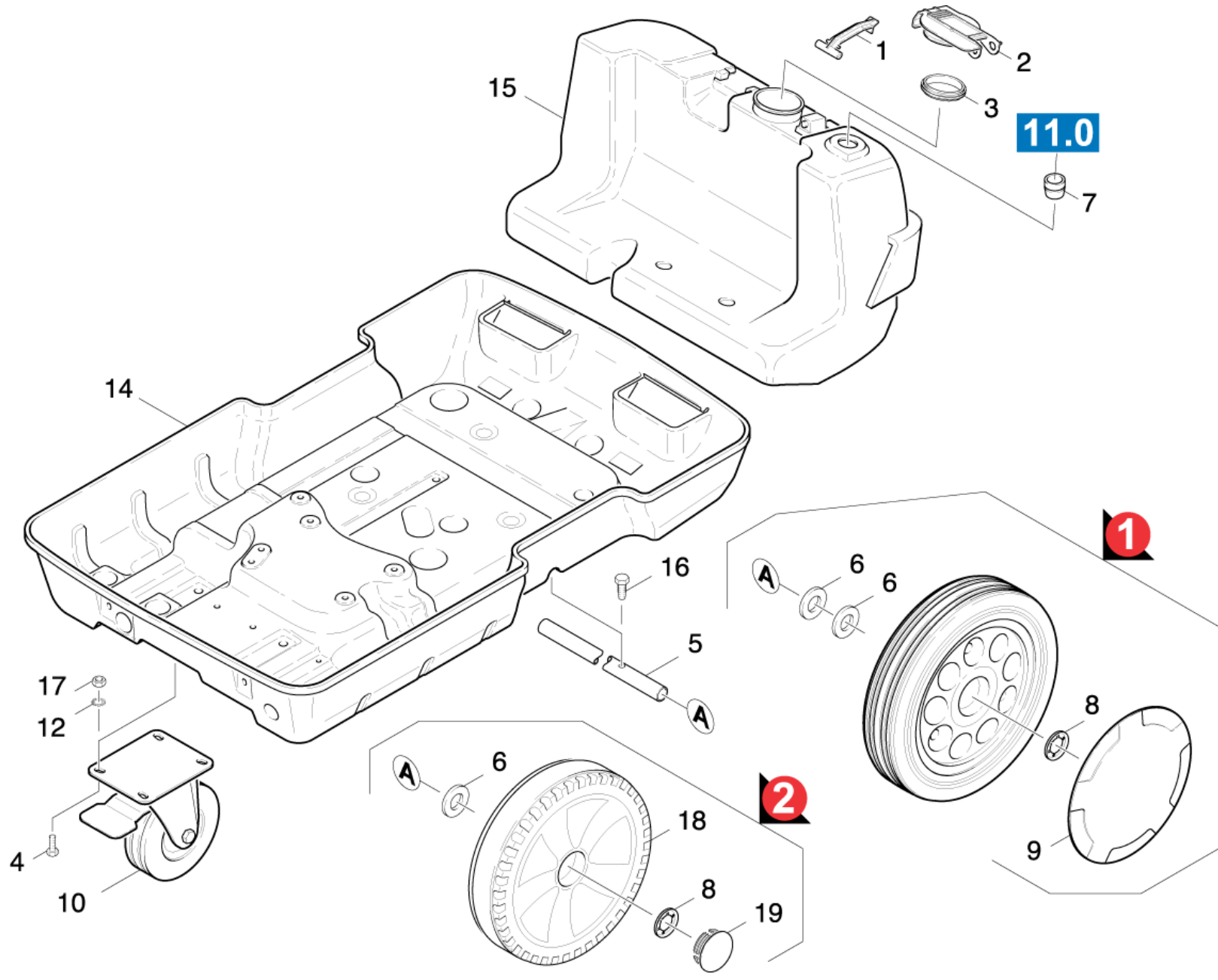
10 Individual parts

POS	Description	Quantity	Unit
12	Base frame	1.000	ST
11	Cover	1.000	ST
13	Handhold	1.000	ST



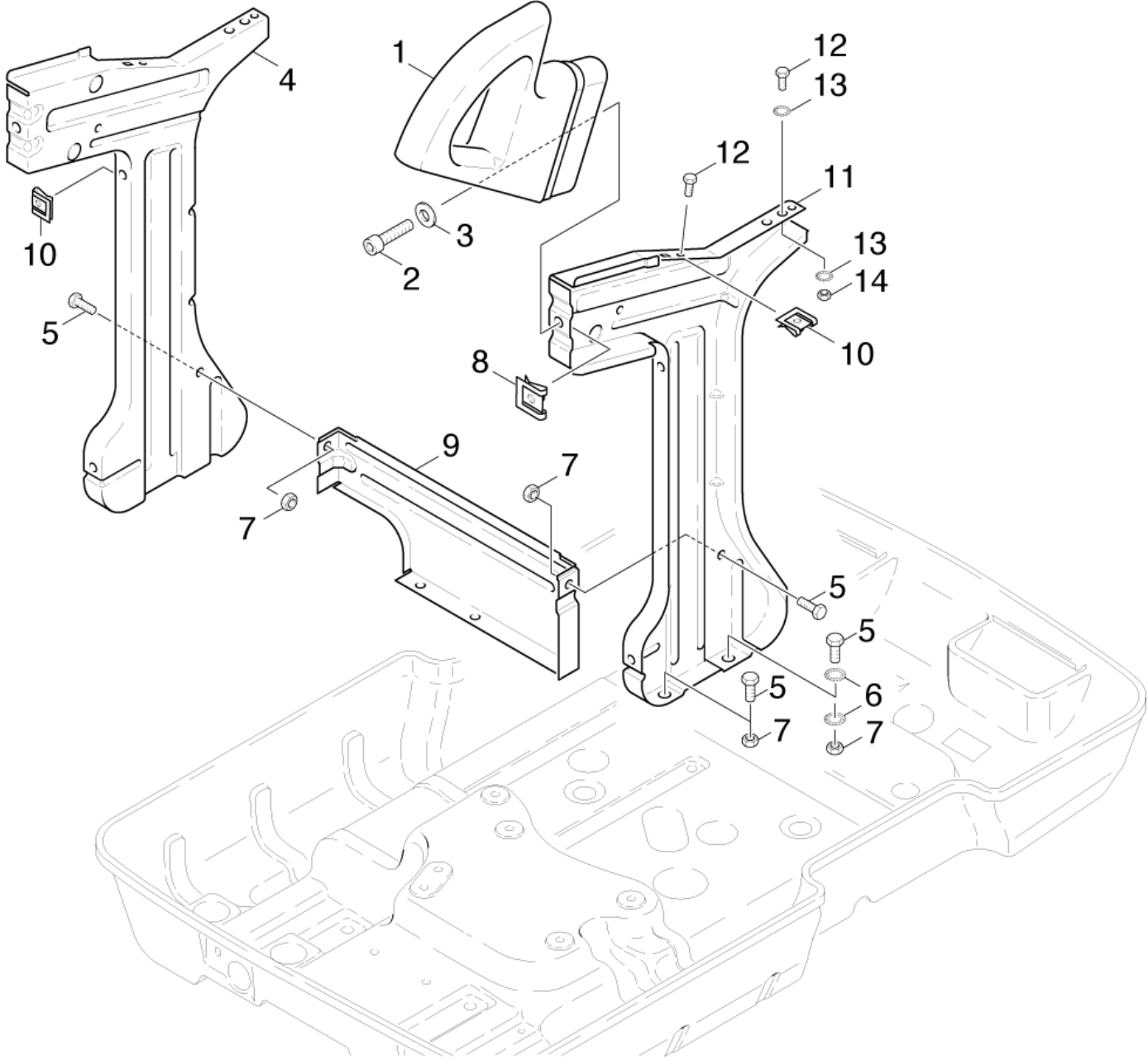
11 Cover

POS	Article no.	Description	Quantity	Unit	Remark	Foot note text
11	5.316-318.0	Bolt	1.000	ST		
9	5.063-957.0	Cover	1.000	ST		
1	5.069-062.0	Cover	1.000	ST		
	Item text1: / 1.025-344.0 / -363.0					
1	4.066-384.0	Cover Ersatz-alte HDS-M nieder o. Blech	1.000	ST	VERSION 1	
5	4.066-385.0	Cover Ersatz alte HDS-M klasse mit VA-B	1.000	ST	VERSION 2	
	Item text1: / 1.025-341.0 / -342.0 / -361.0/ -362.0					
7	5.731-039.0	Filter	1.000	ST		
2	5.030-834.0	Flap	1.000	ST		YELLOW
2	5.032-591.0	Flap	1.000	ST		
	Item text1: / 1.025-344.0 / -363.0					
2	5.030-001.0	Flap	1.000	ST		ANTHRACITE
12	5.013-075.0	Funnel	1.000	ST		
10	5.332-236.0	Helical spring	1.000	ST		
8	5.363-290.0	Joint ring	1.000	ST		
6	6.303-172.0	Oval head screw M 6X 34	2.000	ST		
3	5.305-204.0	Shaped screw	2.000	ST		
4	5.071-048.0	Tank fuel	1.000	ST		



12 Base frame

POS	Article no.	Description	Quantity	Unit
5	5.105-163.0	Axle	1.000	ST
10	6.435-071.0	Castor 125	1.000	ST
2	5.063-448.0	Cover	1.000	ST
14	5.050-046.0	Frame	1.000	ST
4	7.304-395.0	Hexagonal head screw M8x16-8.8-A2E ISO	4.000	ST
17	7.311-004.0	Hexagon nut M8 -8-A3E ISO 4032	4.000	ST
1	5.042-463.0	Holder	1.000	ST
3	5.363-300.0	Joint ring	1.000	ST
8	6.343-162.0	Lock washer -25	2.000	ST
7	5.365-147.0	Profile gasket	1.000	ST
16	6.303-031.0	Screw M8x16-ST-R2R DIN 7500-1	2.000	ST
15	5.071-047.0	Tank chemistry	1.000	ST
12	7.312-166.0	Toothed lock washer A8,4-FSt-A3E DIN 67	2.000	ST
6	7.312-060.0	Washer 24-100HV-A3E ISO 7091	4.000	ST
19	5.392-038.0	Wheel cap	2.000	ST
9	5.392-019.0	Wheel cap	2.000	ST
18	4.515-092.0	Wheel complete	2.000	ST

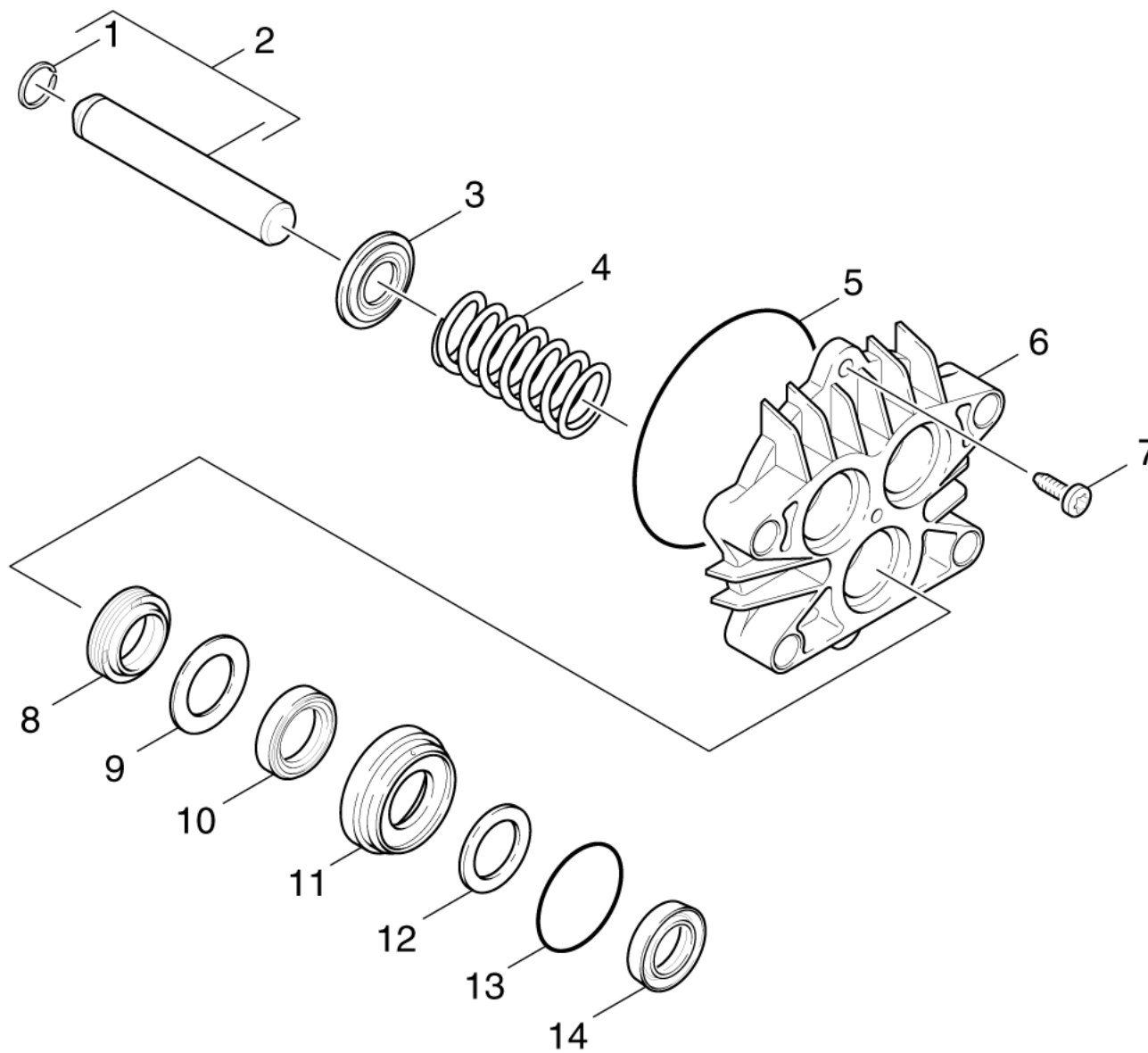


13 Handhold

POS	Article no.	Description	Quantity	Unit
2	7.306-049.0	Cylinder head screw M 8x45-8.8-A2E ISO	2.000	ST
12	7.304-382.0	Hexagonal head screw M 6x12-8.8-A2E ISO	4.000	ST
5	7.304-395.0	Hexagonal head screw M8x16-8.8-A2E ISO	6.000	ST
14	7.311-003.0	Hexagon nut M6 -8-A2E ISO 4032	2.000	ST
7	7.311-004.0	Hexagon nut M8 -8-A3E ISO 4032	6.000	ST
10	6.310-082.0	Putting nut M6	4.000	ST
8	6.310-083.0	Putting nut M8	2.000	ST
1	5.321-647.0	Sliding handle	2.000	ST
4	5.052-033.0	Stand left	1.000	ST
11	5.052-035.0	Stand right	1.000	ST
9	5.055-120.0	Stay	1.000	ST
13	7.312-167.0	Toothed lock washer A6,4-FSt-A3E DIN 67	4.000	ST
6	7.312-166.0	Toothed lock washer A8,4-FSt-A3E DIN 67	4.000	ST
3	7.312-004.0	Washer 8 -200HV-A3E ISO 7090	2.000	ST

20 Pump set

POS	Description	Quantity	Unit	Remark
24	Cylinder head	1.000	ST	VERSION 3
23	Cylinder head	1.000	ST	VERSION 2
22	Cylinder head	1.000	ST	VERSION 1
21	Piston	1.000	ST	
25	Switch	1.000	ST	

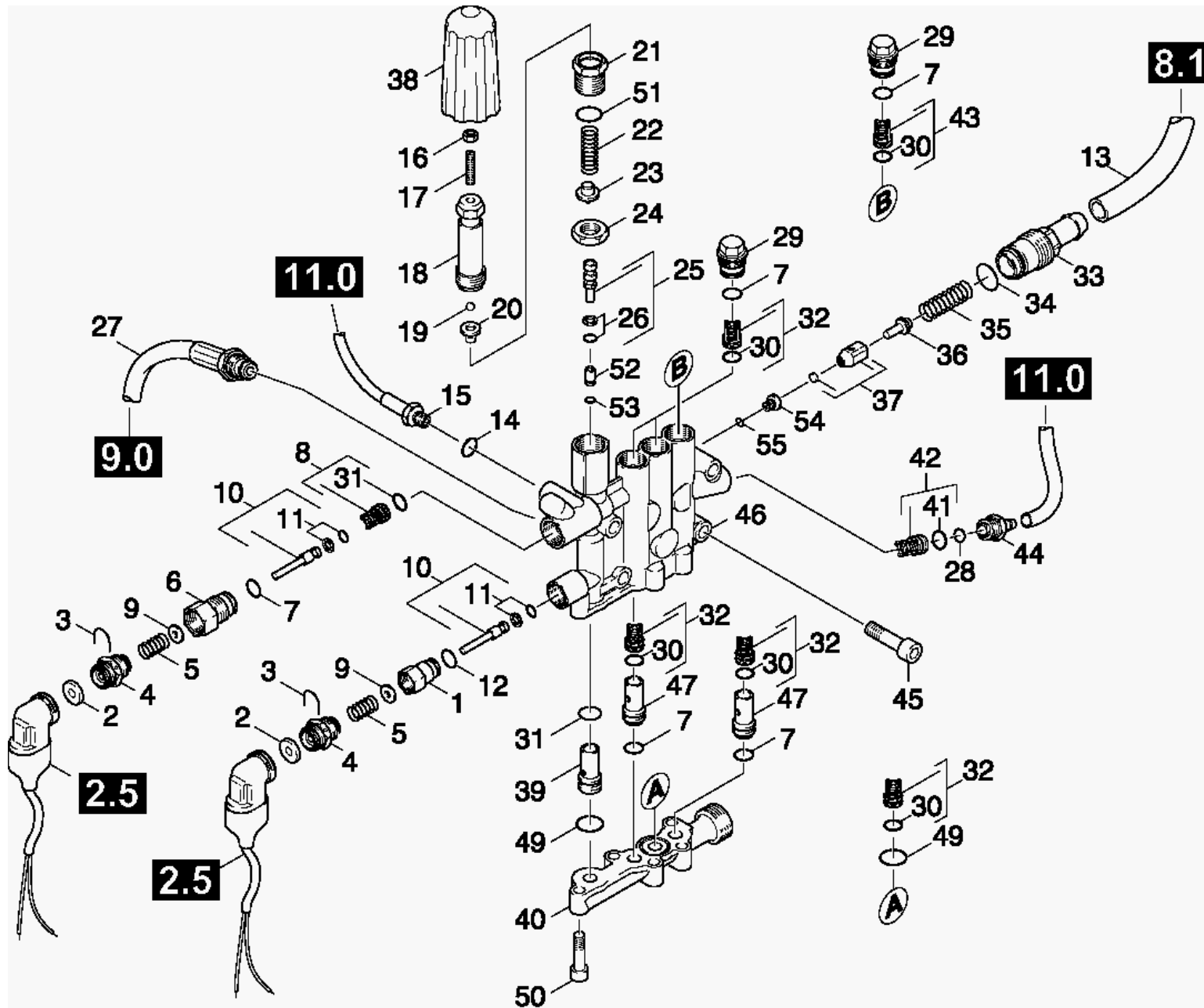


21 Piston

POS	Article no.	Description	Quantity	Unit
11	5.112-402.3	Bush	3.000	ST
10	6.365-351.0	Compact seal 16 x 24 x 4	3.000	ST
14	6.365-408.0	Grooved ring 16x24x5.3	3.000	ST
8	6.365-322.0	Grooved ring 16X24X7	3.000	ST
4	5.332-450.0	Helical spring	3.000	ST
6	4.060-819.0	Housing -nur für Ersatz-	1.000	ST
13	6.362-398.0	O-Ring seal 27,5 X 1,5-NBR 70	3.000	ST
5	6.362-963.0	O-Ring seal 88,57X 2,62	1.000	ST
2	4.553-209.0	Piston complete	3.000	ST
	Item text1: / 1.025-341.0 / -342.0 / -343.0			
	Item text2: / -361.0 / -362.0 / -391.0			
2	4.553-216.0	Piston complete only for replacement	3.000	ST
	Item text1: / 1.025-392.0			
7	7.306-094.0	Screw M6x25 -8.8-R3R (In6Rd)	2.000	ST
1	7.343-478.0	Snap ring 16 -FST DIN 9925	3.000	ST
100	2.883-972.0	Spare part set pump	1.000	ST
3	5.115-689.0	Washer	3.000	ST
9	5.115-493.0	Washer	3.000	ST
12	5.115-492.0	Washer	3.000	ST

100 Spare part set pump (2.883-972.0)

POS	Article no.	Description	Quantity	Unit
210	6.365-351.0	Compact seal 16 x 24 x 4	3.000	ST
240	6.591-075.0	Folding carton 140x100x70 mm Kärcher	1.000	ST
220	6.365-408.0	Grooved ring 16x24x5.3	3.000	ST
200	6.365-322.0	Grooved ring 16X24X7	3.000	ST
110	6.362-151.0	O-Ring d. 10 x 2 NBR 70	1.000	ST
120	6.362-169.0	O-Ring seal 12,0 X 2,0	1.000	ST
190	6.363-003.0	O-Ring seal 13,0 X 2,0-NBR 90	6.000	ST
160	6.362-481.0	O-Ring seal 14,0 x 2,0 NBR 80	6.000	ST
170	6.362-547.0	O-Ring seal 20,0x1,5-NBR 70	2.000	ST
140	6.362-398.0	O-Ring seal 27,5 X 1,5-NBR 70	3.000	ST
180	6.362-963.0	O-Ring seal 88,57X 2,62	1.000	ST
130	6.362-368.0	O-Ring seal complete /1ST.-R.	2.000	ST
150	6.362-468.0	O-Ring seal complete 1ST.-R.	1.000	ST
60	5.034-494.0	Retaining bracket	2.000	ST
20	4.580-295.0	Valve complete	5.000	ST
10	4.580-262.0	Valve complete	1.000	ST
30	4.580-349.0	Valve complete chemistry	1.000	ST
50	4.582-019.0	Valve disc complete	1.000	ST
100	5.584-060.0	Valve pin	1.000	ST
40	4.580-589.0	Valve with slot	1.000	ST
90	5.115-796.0	Washer	2.000	ST
70	5.115-492.0	Washer	3.000	ST
80	5.115-493.0	Washer	3.000	ST

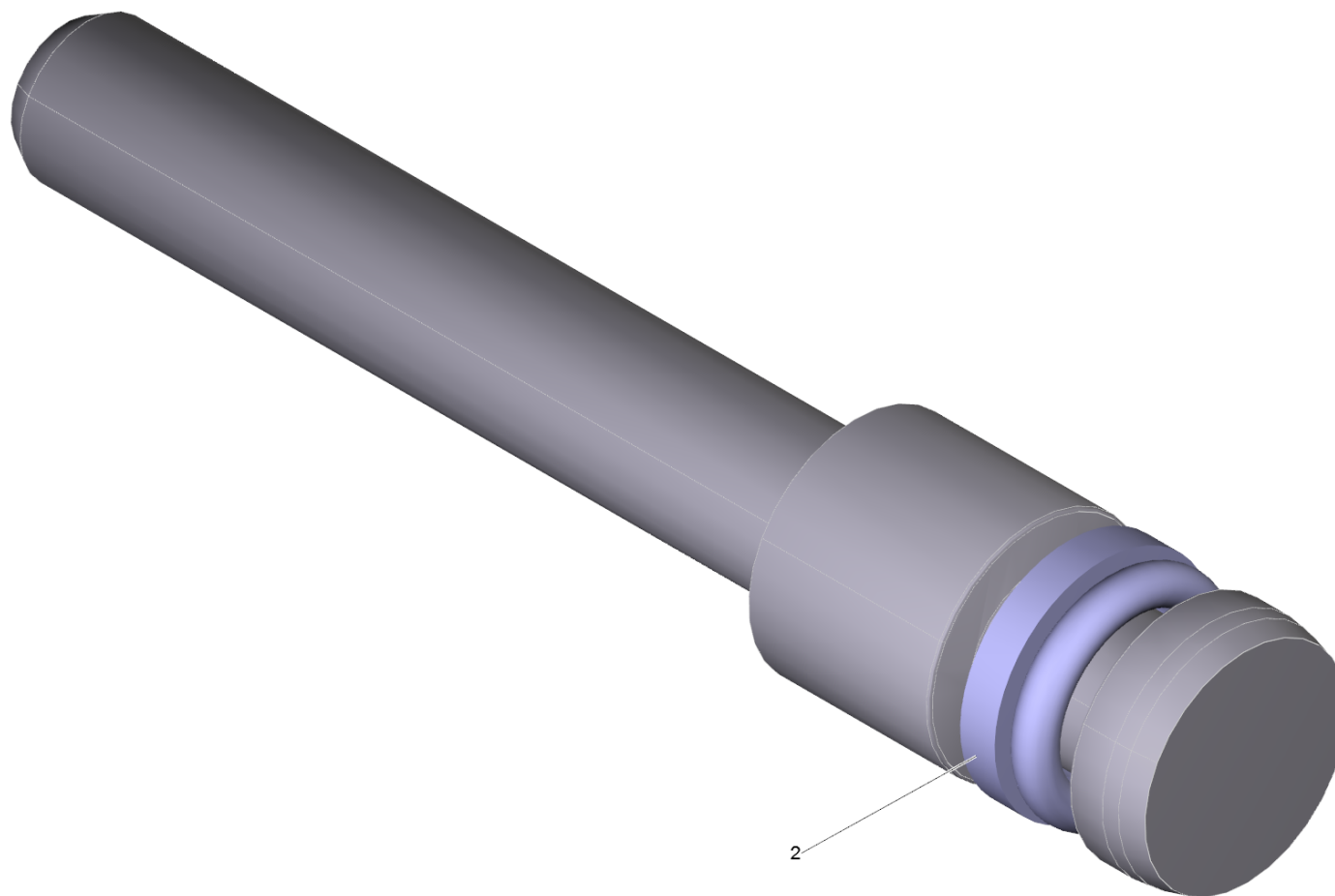


22 Cylinder head

POS	Article no.	Description	Quantity	Unit	Foot note text
46	4.550-530.0	Cylinder head complete	1.000	ST	
50	7.306-043.0	Cylinder head screw M8x30 -8.8-A2E ISO	5.000	ST	
45	7.306-125.0	Cylinder head screw M10x70-8.8-A3E ISO4	4.000	ST	
2	5.367-030.0	Diaphragm	2.000	ST	
38	5.321-579.0	Handle	1.000	ST	
22	5.332-444.0	Helical spring	1.000	ST	
35	5.332-414.0	Helical spring	1.000	ST	
5	5.332-268.0	Helical spring	2.000	ST	
18	5.304-070.0	Hexagonal head screw	1.000	ST	
16	7.311-002.0	Hexagon nut M5 -8-A2E ISO 4032	1.000	ST	
24	5.311-204.0	Hexagon nut M22x1,5	1.000	ST	
27	6.391-596.0	High pressure hose DN 13	1.000	ST	
15	6.389-635.0	High pressure hose pressure gauge	1.000	ST	
21	5.404-082.0	Hollow screw	1.000	ST	
13	6.388-167.0	Hose DN15	1.000	M	TO ORDER AS CUT GOODS
44	5.443-474.0	Hose stem	1.000	ST	
14	7.362-003.0	Joint ring A10x13,5 -Cu DIN 7603	1.000	ST	
28	6.362-151.0	O-Ring d. 10 x 2 NBR 70	1.000	ST	
12	6.362-853.0	O-Ring seal 4,47x1,78	1.000	ST	
53	6.362-386.0	O-Ring seal 5,0 x 1,5-NBR 80	1.000	ST	
55	6.362-703.0	O-Ring seal 6,0x1,5-NBR 70	1.000	ST	
41	6.362-077.0	O-Ring seal 10 x 2,2 NBR 70	1.000	ST	
34	6.362-169.0	O-Ring seal 12,0 X 2,0	1.000	ST	
30	6.363-003.0	O-Ring seal 13,0 X 2,0-NBR 90	6.000	ST	
31	6.362-381.0	O-Ring seal 13x2 - NBR 70	2.000	ST	
7	6.362-481.0	O-Ring seal 14,0 x 2,0 NBR 80	6.000	ST	
51	6.362-079.0	O-Ring seal 18,0 X 2,5	1.000	ST	
49	6.362-547.0	O-Ring seal 20,0x1,5-NBR 70	2.000	ST	
26	6.362-468.0	O-Ring seal complete 1ST.-R.	1.000	ST	
11	6.363-037.0	O-Ring seal complete 1ST.-R.	2.000	ST	
25	4.553-198.0	Piston complete only for replacement	1.000	ST	
10	4.553-197.0	Piston complete only for replacement	2.000	ST	
3	5.034-494.0	Retaining bracket	2.000	ST	

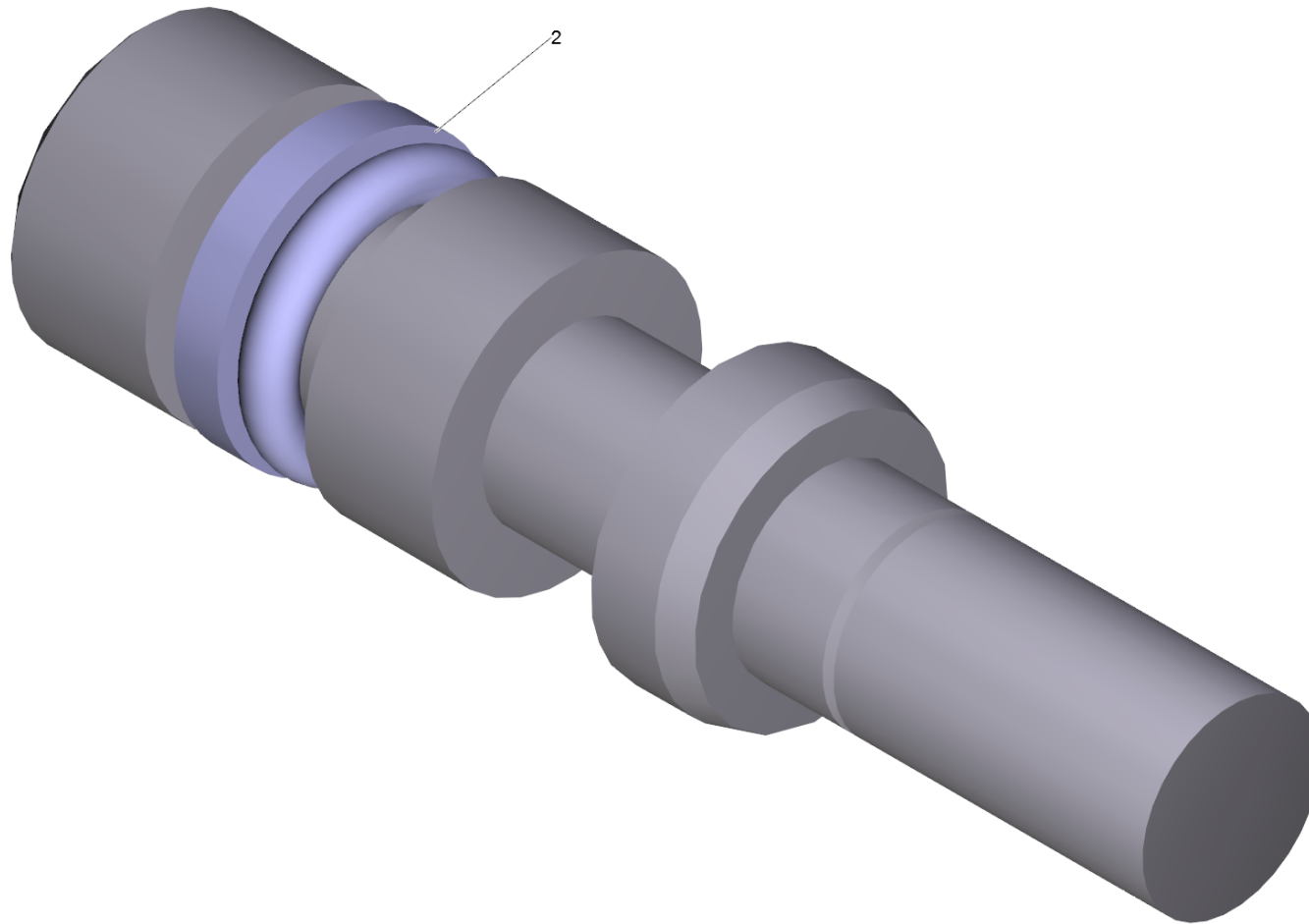
22 Cylinder head

POS	Article no.	Description	Quantity	Unit	Foot note text
4	5.411-148.0	Screw plug	2.000	ST	
47	5.110-608.0	Sleeve	2.000	ST	
39	5.110-863.0	Sleeve	1.000	ST	
100	2.883-972.0	Spare part set pump	1.000	ST	
19	7.401-931.0	Sphere 5 K13 -1.4401 DIN 5401	1.000	ST	
1	5.402-686.0	Threaded part	1.000	ST	
17	7.307-017.0	Threaded pin M5x40 -St-45H-A2E ISO 4026	1.000	ST	
32	2.884-512.0	Valve (3 Stueck)	1.000	ST	
8	4.580-262.0	Valve complete	1.000	ST	
42	4.580-349.0	Valve complete chemistry	1.000	ST	
20	5.582-121.0	Valve disc	1.000	ST	
37	4.582-019.0	Valve disc complete	1.000	ST	
40	5.587-203.0	Valve housing	1.000	ST	
23	5.584-114.0	Valve pin	1.000	ST	
36	5.584-060.0	Valve pin	1.000	ST	
33	5.583-130.0	Valve screw	1.000	ST	
29	5.583-146.3	Valve screw	3.000	ST	
6	5.583-161.0	Valve screw	1.000	ST	
52	5.581-239.0	Valve seat	1.000	ST	
54	5.581-231.0	Valve seat	1.000	ST	
43	4.580-589.0	Valve with slot	1.000	ST	
9	5.115-796.0	Washer	2.000	ST	



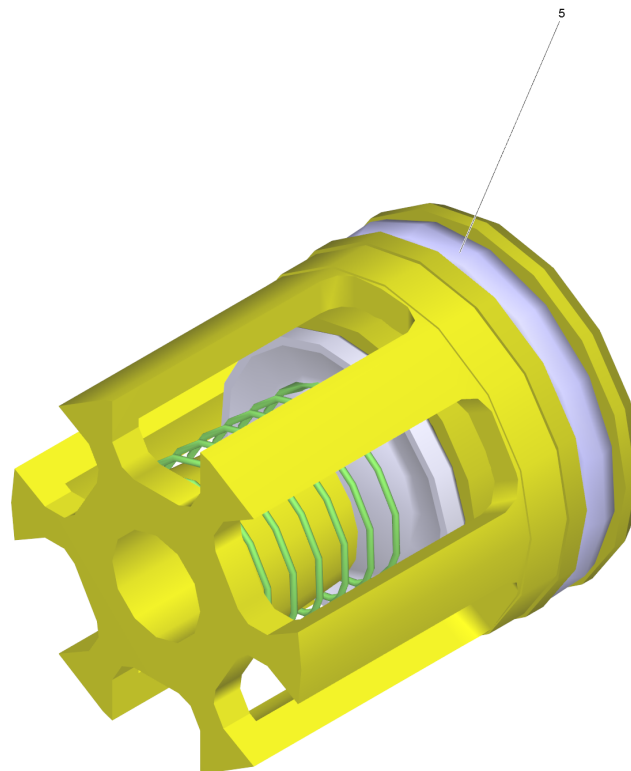
10 Piston complete only for replacement (4.553-197.0)

POS	Article no.	Description	Quantity	Unit
2	6.363-037.0	O-Ring seal complete 1ST.-R.	1.000	ST



25 Piston complete only for replacement (4.553-198.0)

POS	Article no.	Description	Quantity	Unit
2	6.362-468.0	O-Ring seal complete 1ST.-R.	1.000	ST

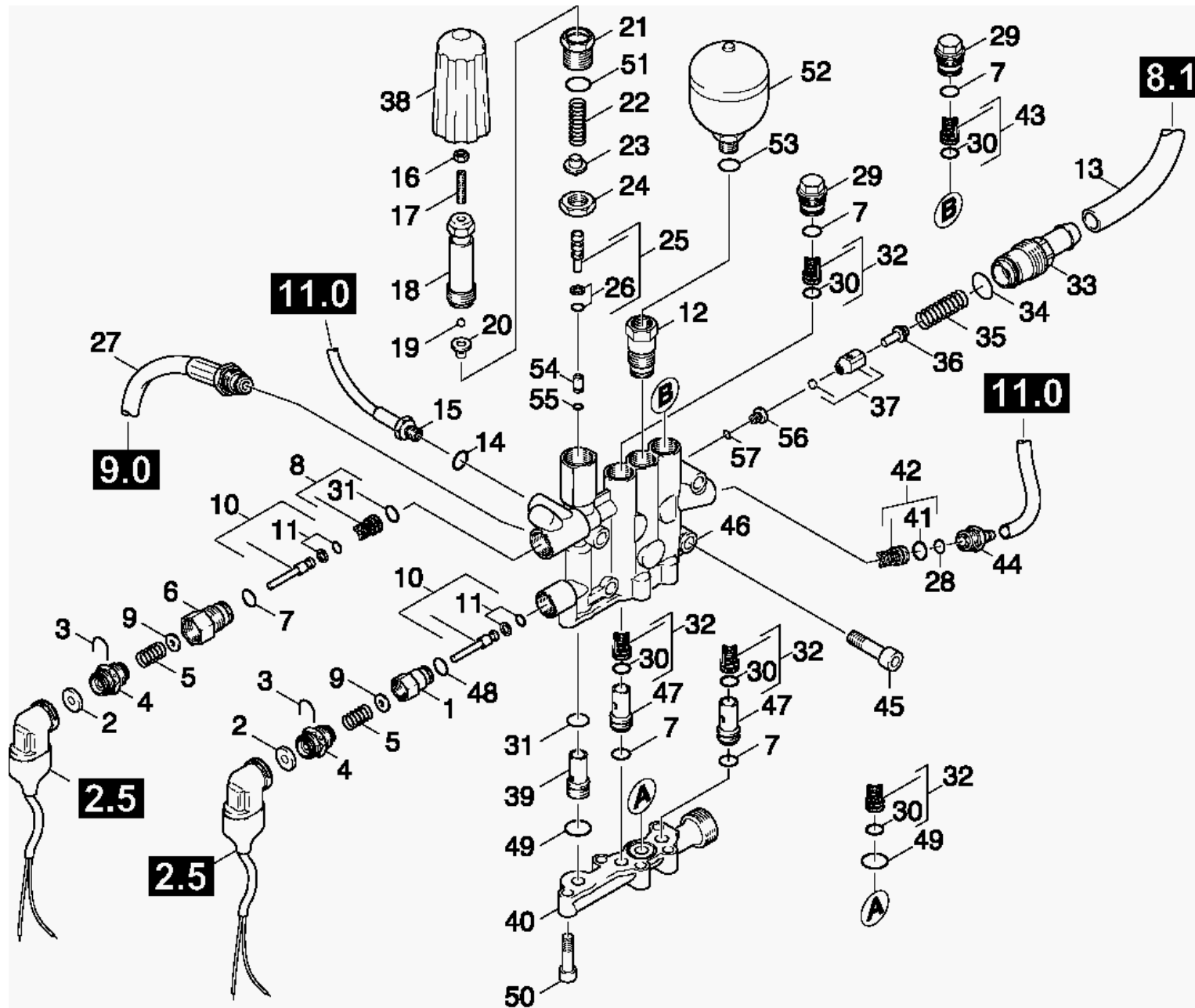


32 Valve (3 Stueck) (2.884-512.0)

POS	Article no.	Description	Quantity	Unit
5	6.363-003.0	O-Ring seal 13,0 X 2,0-NBR 90	1.000	ST

100 Spare part set pump (2.883-972.0)

POS	Article no.	Description	Quantity	Unit
210	6.365-351.0	Compact seal 16 x 24 x 4	3.000	ST
240	6.591-075.0	Folding carton 140x100x70 mm Kärcher	1.000	ST
220	6.365-408.0	Grooved ring 16x24x5.3	3.000	ST
200	6.365-322.0	Grooved ring 16X24X7	3.000	ST
110	6.362-151.0	O-Ring d. 10 x 2 NBR 70	1.000	ST
120	6.362-169.0	O-Ring seal 12,0 X 2,0	1.000	ST
190	6.363-003.0	O-Ring seal 13,0 X 2,0-NBR 90	6.000	ST
160	6.362-481.0	O-Ring seal 14,0 x 2,0 NBR 80	6.000	ST
170	6.362-547.0	O-Ring seal 20,0x1,5-NBR 70	2.000	ST
140	6.362-398.0	O-Ring seal 27,5 X 1,5-NBR 70	3.000	ST
180	6.362-963.0	O-Ring seal 88,57X 2,62	1.000	ST
130	6.362-368.0	O-Ring seal complete /1ST.-R.	2.000	ST
150	6.362-468.0	O-Ring seal complete 1ST.-R.	1.000	ST
60	5.034-494.0	Retaining bracket	2.000	ST
20	4.580-295.0	Valve complete	5.000	ST
10	4.580-262.0	Valve complete	1.000	ST
30	4.580-349.0	Valve complete chemistry	1.000	ST
50	4.582-019.0	Valve disc complete	1.000	ST
100	5.584-060.0	Valve pin	1.000	ST
40	4.580-589.0	Valve with slot	1.000	ST
90	5.115-796.0	Washer	2.000	ST
70	5.115-492.0	Washer	3.000	ST
80	5.115-493.0	Washer	3.000	ST

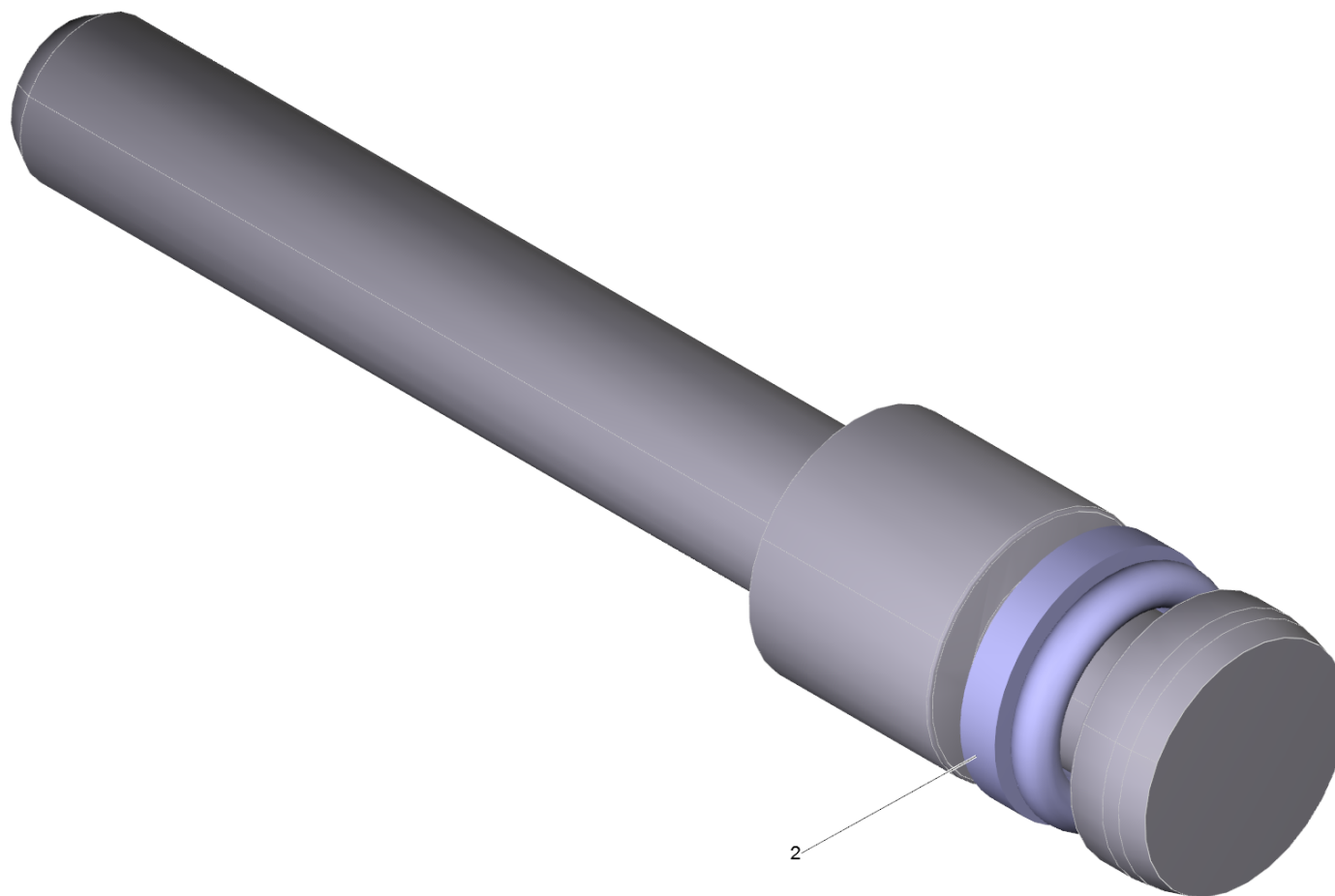


23 Cylinder head

POS	Article no.	Description	Quantity	Unit	Foot note text
46	4.550-530.0	Cylinder head complete	1.000	ST	
50	7.306-043.0	Cylinder head screw M8x30 -8.8-A2E ISO	5.000	ST	
45	7.306-125.0	Cylinder head screw M10x70-8.8-A3E ISO4	4.000	ST	
2	5.367-030.0	Diaphragm	2.000	ST	
38	5.321-579.0	Handle	1.000	ST	
5	5.332-268.0	Helical spring	2.000	ST	
22	5.332-444.0	Helical spring	1.000	ST	
35	5.332-414.0	Helical spring	1.000	ST	
18	5.304-070.0	Hexagonal head screw	1.000	ST	
16	7.311-002.0	Hexagon nut M5 -8-A2E ISO 4032	1.000	ST	
24	5.311-204.0	Hexagon nut M22x1,5	1.000	ST	
27	6.391-596.0	High pressure hose DN 13	1.000	ST	
15	6.389-635.0	High pressure hose pressure gauge	1.000	ST	
21	5.404-082.0	Hollow screw	1.000	ST	
13	6.388-167.0	Hose DN15	1.000	M	TO ORDER AS CUT GOODS
44	5.443-474.0	Hose stem	1.000	ST	
14	7.362-003.0	Joint ring A10x13,5 -Cu DIN 7603	1.000	ST	
53	7.362-005.0	Joint ring A14x18 -Cu DIN 7603	1.000	ST	
28	6.362-151.0	O-Ring d. 10 x 2 NBR 70	1.000	ST	
48	6.362-853.0	O-Ring seal 4,47x1,78	1.000	ST	
55	6.362-386.0	O-Ring seal 5,0 x 1,5-NBR 80	1.000	ST	
57	6.362-703.0	O-Ring seal 6,0x1,5-NBR 70	1.000	ST	
41	6.362-077.0	O-Ring seal 10 x 2,2 NBR 70	1.000	ST	
34	6.362-169.0	O-Ring seal 12,0 X 2,0	1.000	ST	
30	6.363-003.0	O-Ring seal 13,0 X 2,0-NBR 90	6.000	ST	
31	6.362-381.0	O-Ring seal 13x2 - NBR 70	2.000	ST	
7	6.362-481.0	O-Ring seal 14,0 x 2,0 NBR 80	6.000	ST	
51	6.362-079.0	O-Ring seal 18,0 X 2,5	1.000	ST	
49	6.362-547.0	O-Ring seal 20,0x1,5-NBR 70	2.000	ST	
11	6.363-037.0	O-Ring seal complete 1ST.-R.	2.000	ST	
26	6.362-468.0	O-Ring seal complete 1ST.-R.	1.000	ST	
25	4.553-198.0	Piston complete only for replacement	1.000	ST	
10	4.553-197.0	Piston complete only for replacement	2.000	ST	

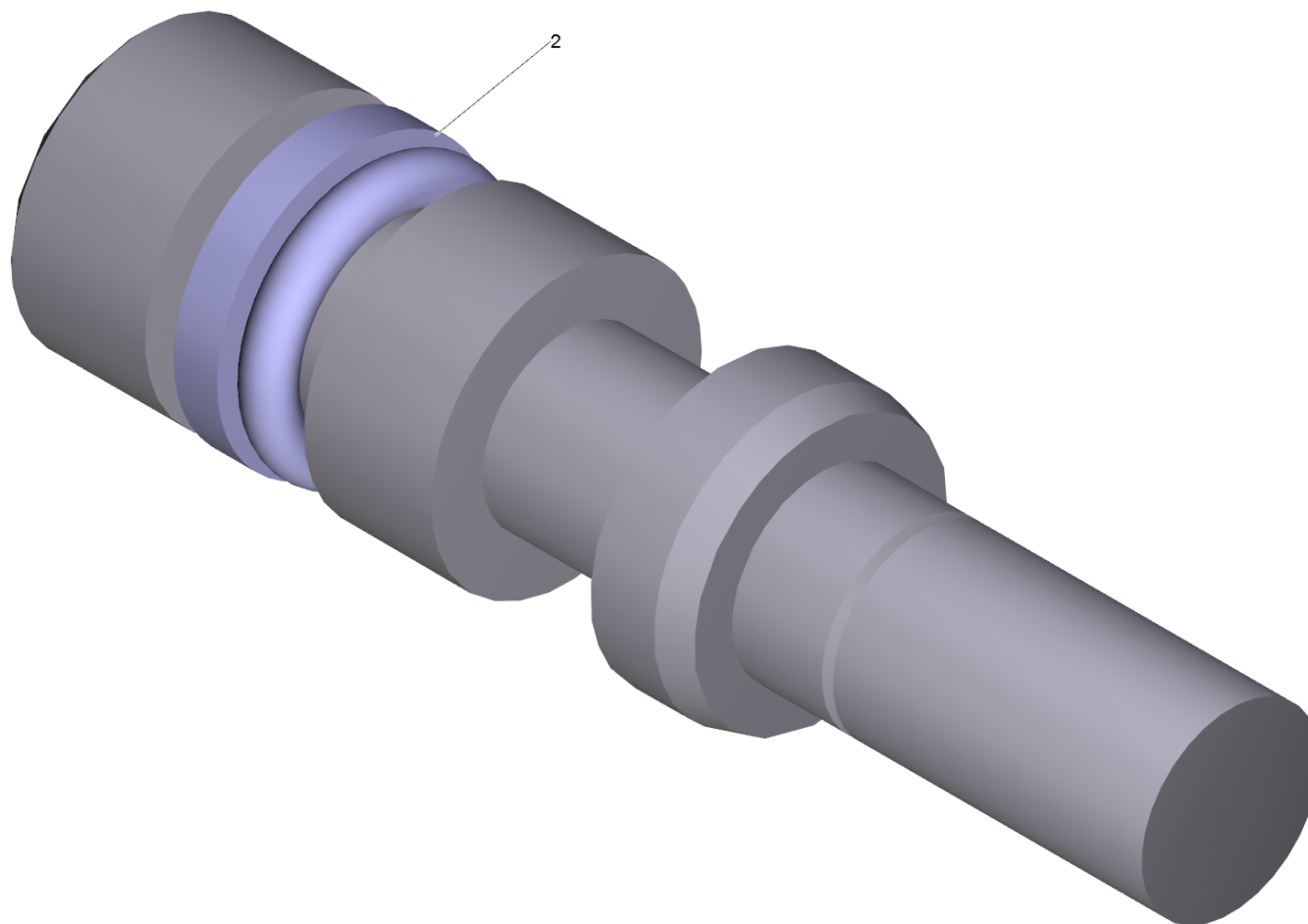
23 Cylinder head

POS	Article no.	Description	Quantity	Unit	Foot note text
52	6.505-025.0	Pressure accumulator	1.000	ST	
3	5.034-494.0	Retaining bracket	2.000	ST	
4	5.411-148.0	Screw plug	2.000	ST	
39	5.110-863.0	Sleeve	1.000	ST	
47	5.110-608.0	Sleeve	2.000	ST	
100	2.883-972.0	Spare part set pump	1.000	ST	
19	7.401-931.0	Sphere 5 K13 -1.4401 DIN 5401	1.000	ST	
1	5.402-686.0	Threaded part	1.000	ST	
17	7.307-017.0	Threaded pin M5x40 -St-45H-A2E ISO 4026	1.000	ST	
32	2.884-512.0	Valve (3 Stueck)	1.000	ST	
8	4.580-262.0	Valve complete	1.000	ST	
42	4.580-349.0	Valve complete chemistry	1.000	ST	
20	5.582-121.0	Valve disc	1.000	ST	
37	4.582-019.0	Valve disc complete	1.000	ST	
40	5.587-203.0	Valve housing	1.000	ST	
36	5.584-060.0	Valve pin	1.000	ST	
23	5.584-114.0	Valve pin	1.000	ST	
29	5.583-146.3	Valve screw	3.000	ST	
6	5.583-161.0	Valve screw	1.000	ST	
12	5.583-170.0	Valve screw	1.000	ST	
33	5.583-130.0	Valve screw	1.000	ST	
54	5.581-239.0	Valve seat	1.000	ST	
56	5.581-231.0	Valve seat	1.000	ST	
43	4.580-589.0	Valve with slot	1.000	ST	
9	5.115-796.0	Washer	2.000	ST	



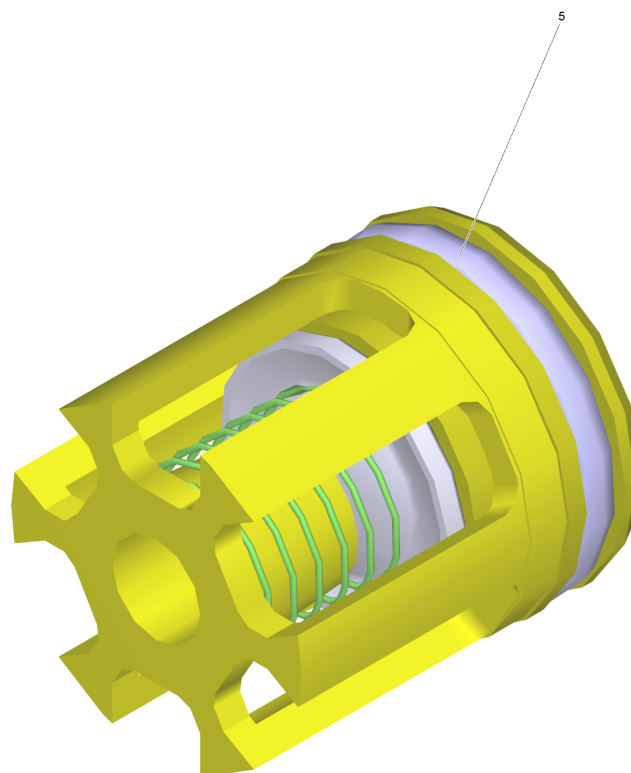
10 Piston complete only for replacement (4.553-197.0)

POS	Article no.	Description	Quantity	Unit
2	6.363-037.0	O-Ring seal complete 1ST.-R.	1.000	ST



25 Piston complete only for replacement (4.553-198.0)

POS	Article no.	Description	Quantity	Unit
2	6.362-468.0	O-Ring seal complete 1ST.-R.	1.000	ST

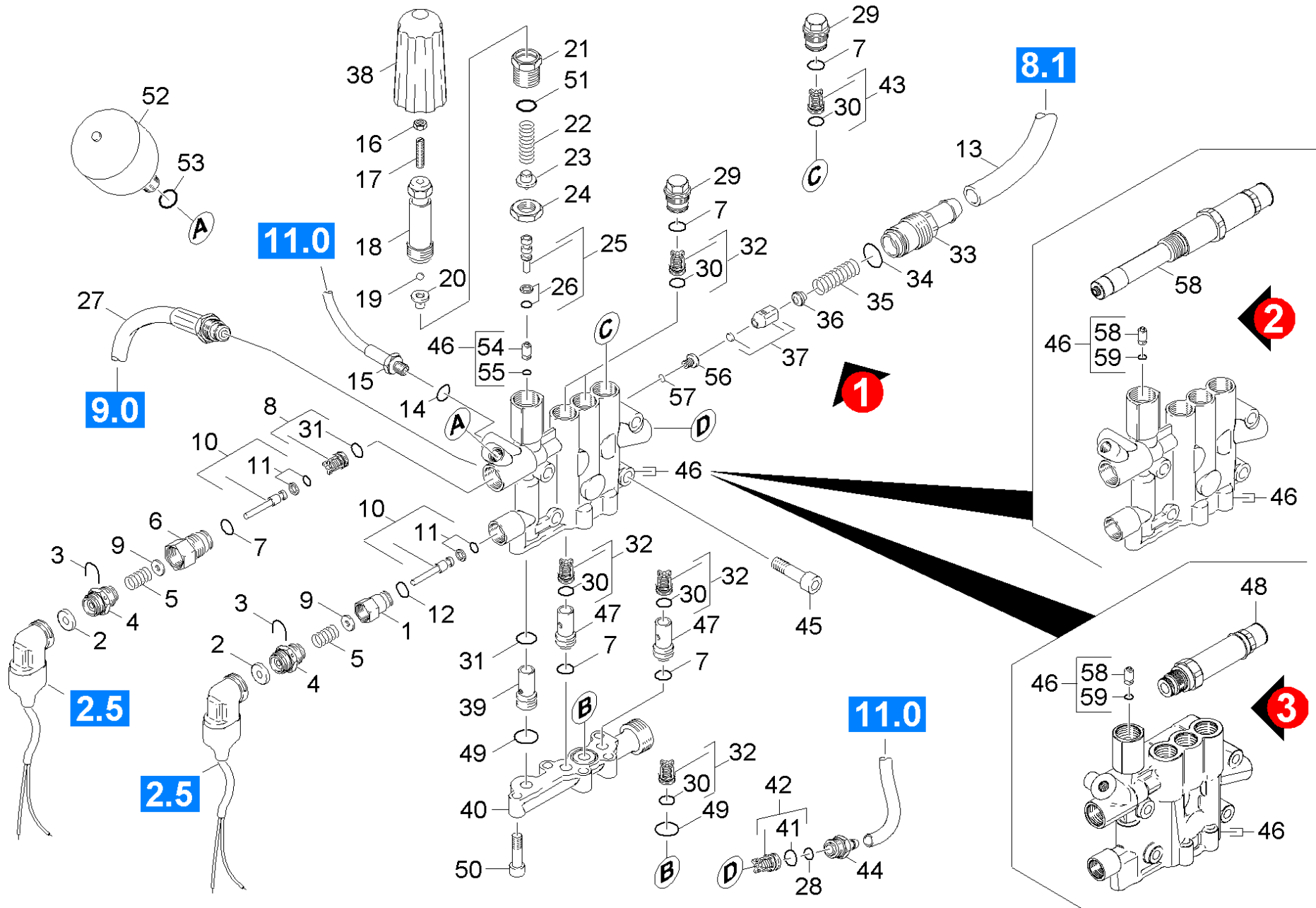


32 Valve (3 Stueck) (2.884-512.0)

POS	Article no.	Description	Quantity	Unit
5	6.363-003.0	O-Ring seal 13,0 X 2,0-NBR 90	1.000	ST

100 Spare part set pump (2.883-972.0)

POS	Article no.	Description	Quantity	Unit
210	6.365-351.0	Compact seal 16 x 24 x 4	3.000	ST
240	6.591-075.0	Folding carton 140x100x70 mm Kärcher	1.000	ST
220	6.365-408.0	Grooved ring 16x24x5.3	3.000	ST
200	6.365-322.0	Grooved ring 16X24X7	3.000	ST
110	6.362-151.0	O-Ring d. 10 x 2 NBR 70	1.000	ST
120	6.362-169.0	O-Ring seal 12,0 X 2,0	1.000	ST
190	6.363-003.0	O-Ring seal 13,0 X 2,0-NBR 90	6.000	ST
160	6.362-481.0	O-Ring seal 14,0 x 2,0 NBR 80	6.000	ST
170	6.362-547.0	O-Ring seal 20,0x1,5-NBR 70	2.000	ST
140	6.362-398.0	O-Ring seal 27,5 X 1,5-NBR 70	3.000	ST
180	6.362-963.0	O-Ring seal 88,57X 2,62	1.000	ST
130	6.362-368.0	O-Ring seal complete /1ST.-R.	2.000	ST
150	6.362-468.0	O-Ring seal complete 1ST.-R.	1.000	ST
60	5.034-494.0	Retaining bracket	2.000	ST
20	4.580-295.0	Valve complete	5.000	ST
10	4.580-262.0	Valve complete	1.000	ST
30	4.580-349.0	Valve complete chemistry	1.000	ST
50	4.582-019.0	Valve disc complete	1.000	ST
100	5.584-060.0	Valve pin	1.000	ST
40	4.580-589.0	Valve with slot	1.000	ST
90	5.115-796.0	Washer	2.000	ST
70	5.115-492.0	Washer	3.000	ST
80	5.115-493.0	Washer	3.000	ST

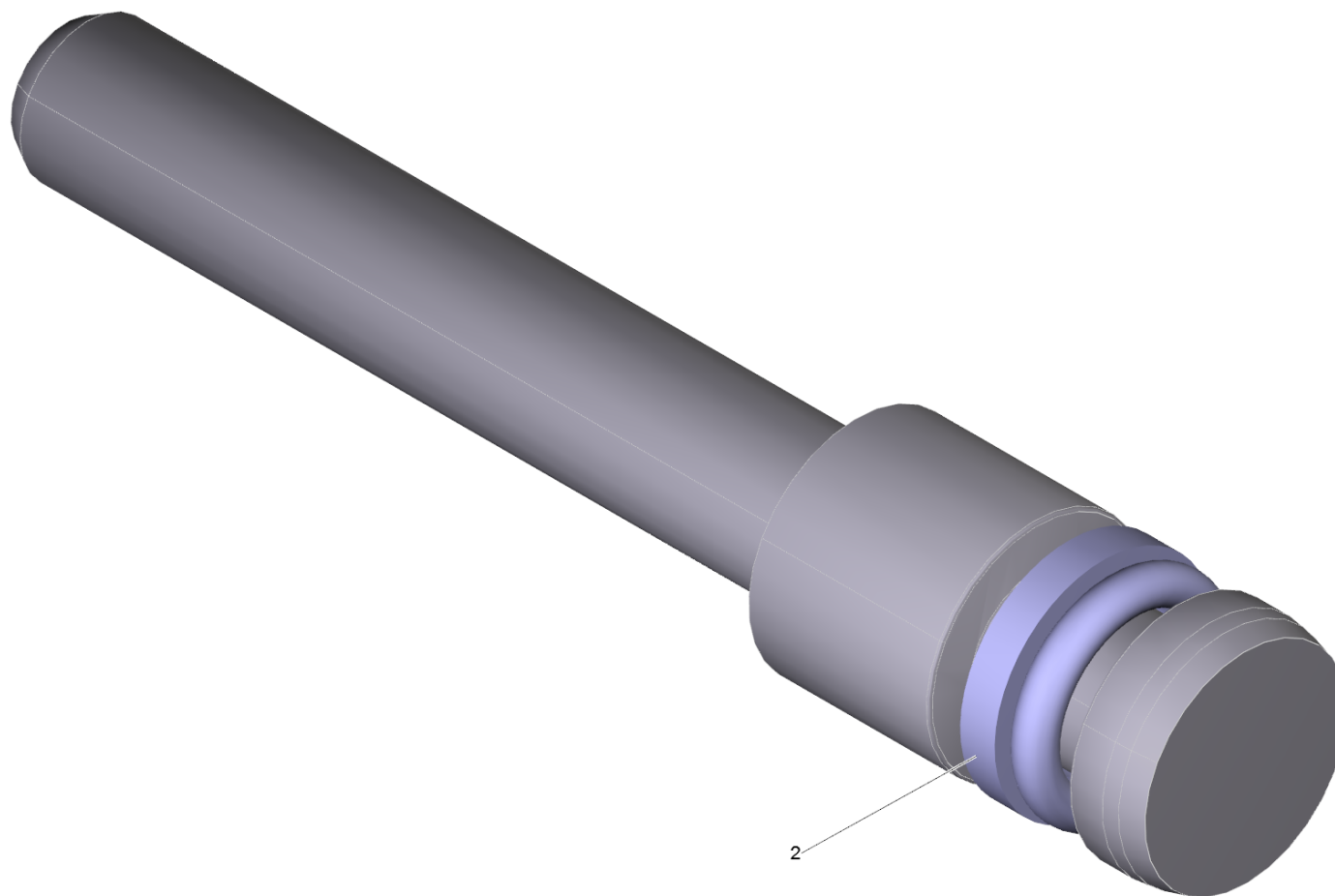


24 Cylinder head

POS	Article no.	Description	Quantity	Unit	Remark	Foot note text
46	4.550-608.0	Cylinder head complete	1.000	ST	VERSION 1 + VERSION 2	
46	4.550-926.0	Cylinder head only for replacement	1.000	ST	VERSION 3	
50	7.306-043.0	Cylinder head screw M8x30 -8.8-A2E ISO	5.000	ST		
45	7.306-125.0	Cylinder head screw M10x70-8.8-A3E ISO4	4.000	ST		
2	5.367-030.0	Diaphragm	2.000	ST		
38	5.321-579.0	Handle	1.000	ST		
35	5.332-414.0	Helical spring	1.000	ST		
22	5.332-444.0	Helical spring	1.000	ST		
5	5.332-268.0	Helical spring	2.000	ST		
18	5.304-070.0	Hexagonal head screw	1.000	ST		
16	7.311-002.0	Hexagon nut M5 -8-A2E ISO 4032	1.000	ST		
24	5.311-204.0	Hexagon nut M22x1,5	1.000	ST		
27	6.391-596.0	High pressure hose DN 13	1.000	ST		
15	6.389-635.0	High pressure hose pressure gauge	1.000	ST		
21	5.404-082.0	Hollow screw	1.000	ST		
13	6.388-167.0	Hose DN15	1.000	M		TO ORDER AS CUT GOODS
44	5.443-474.0	Hose stem	1.000	ST		
14	7.362-003.0	Joint ring A10x13,5 -Cu DIN 7603	1.000	ST		
28	6.362-151.0	O-Ring d. 10 x 2 NBR 70	1.000	ST		
12	6.362-853.0	O-Ring seal 4,47x1,78	1.000	ST		
55	6.362-386.0	O-Ring seal 5,0 x 1,5-NBR 80	1.000	ST		
57	6.362-703.0	O-Ring seal 6,0x1,5-NBR 70	1.000	ST		
53	6.362-176.0	O-Ring seal 6,07x1,78	1.000	ST		
41	6.362-077.0	O-Ring seal 10 x 2,2 NBR 70	1.000	ST		
34	6.362-169.0	O-Ring seal 12,0 X 2,0	1.000	ST		
30	6.363-003.0	O-Ring seal 13,0 X 2,0-NBR 90	6.000	ST		
31	6.362-381.0	O-Ring seal 13x2 - NBR 70	2.000	ST		
7	6.362-481.0	O-Ring seal 14,0 x 2,0 NBR 80	6.000	ST		
51	6.362-079.0	O-Ring seal 18,0 X 2,5	1.000	ST		
49	6.362-547.0	O-Ring seal 20,0x1,5-NBR 70	2.000	ST		
11	6.363-037.0	O-Ring seal complete 1ST.-R.	2.000	ST		
26	6.362-468.0	O-Ring seal complete 1ST.-R.	1.000	ST		

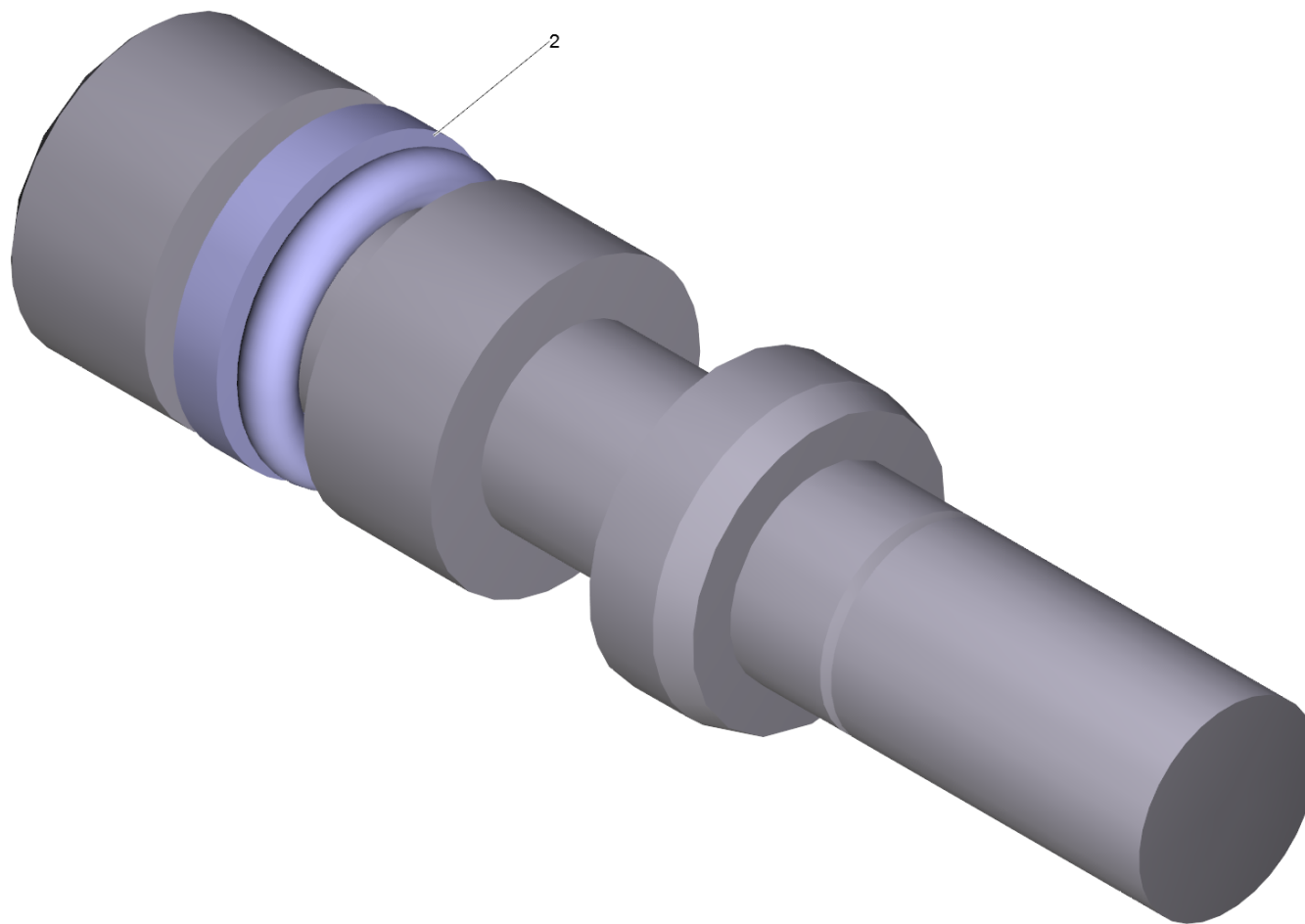
24 Cylinder head

POS	Article no.	Description	Quantity	Unit	Remark	Foot note text
25	4.553-198.0	Piston complete only for replacement	1.000	ST		
10	4.553-197.0	Piston complete only for replacement	2.000	ST		
52	6.505-054.0	Pressure accumulator	1.000	ST		
3	5.034-494.0	Retaining bracket	2.000	ST		
58	4.580-729.0	Safety valve kpl. Ersatz	1.000	ST	VERSION 2	
48	4.580-731.0	Safety valve only for replacement	1.000	ST	VERSION 3	
4	5.411-148.0	Screw plug	2.000	ST		
39	5.110-863.0	Sleeve	1.000	ST		
47	5.110-608.0	Sleeve	2.000	ST		
100	2.883-972.0	Spare part set pump	1.000	ST		
19	7.401-931.0	Sphere 5 K13 -1.4401 DIN 5401	1.000	ST		
1	5.402-686.0	Threaded part	1.000	ST		
17	7.307-017.0	Threaded pin M5x40 -St-45H-A2E ISO 4026	1.000	ST		
32	2.884-512.0	Valve (3 Stueck)	1.000	ST		
8	4.580-262.0	Valve complete	1.000	ST		
42	4.580-349.0	Valve complete chemistry	1.000	ST		
20	5.582-121.0	Valve disc	1.000	ST		
37	4.582-019.0	Valve disc complete	1.000	ST		
40	5.587-203.0	Valve housing	1.000	ST		
23	5.584-114.0	Valve pin	1.000	ST		
36	5.584-060.0	Valve pin	1.000	ST		
33	5.583-130.0	Valve screw	1.000	ST		
6	5.583-161.0	Valve screw	1.000	ST		
29	5.583-146.3	Valve screw	3.000	ST		
54	5.581-239.0	Valve seat	1.000	ST		
56	5.581-231.0	Valve seat	1.000	ST		
43	4.580-589.0	Valve with slot	1.000	ST		
9	5.115-796.0	Washer	2.000	ST		



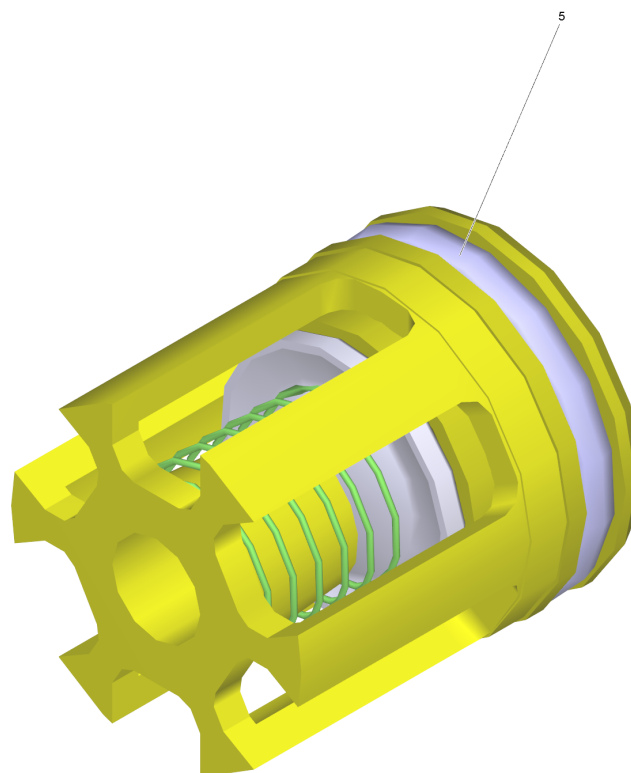
10 Piston complete only for replacement (4.553-197.0)

POS	Article no.	Description	Quantity	Unit
2	6.363-037.0	O-Ring seal complete 1ST.-R.	1.000	ST



25 Piston complete only for replacement (4.553-198.0)

POS	Article no.	Description	Quantity	Unit
2	6.362-468.0	O-Ring seal complete 1ST.-R.	1.000	ST

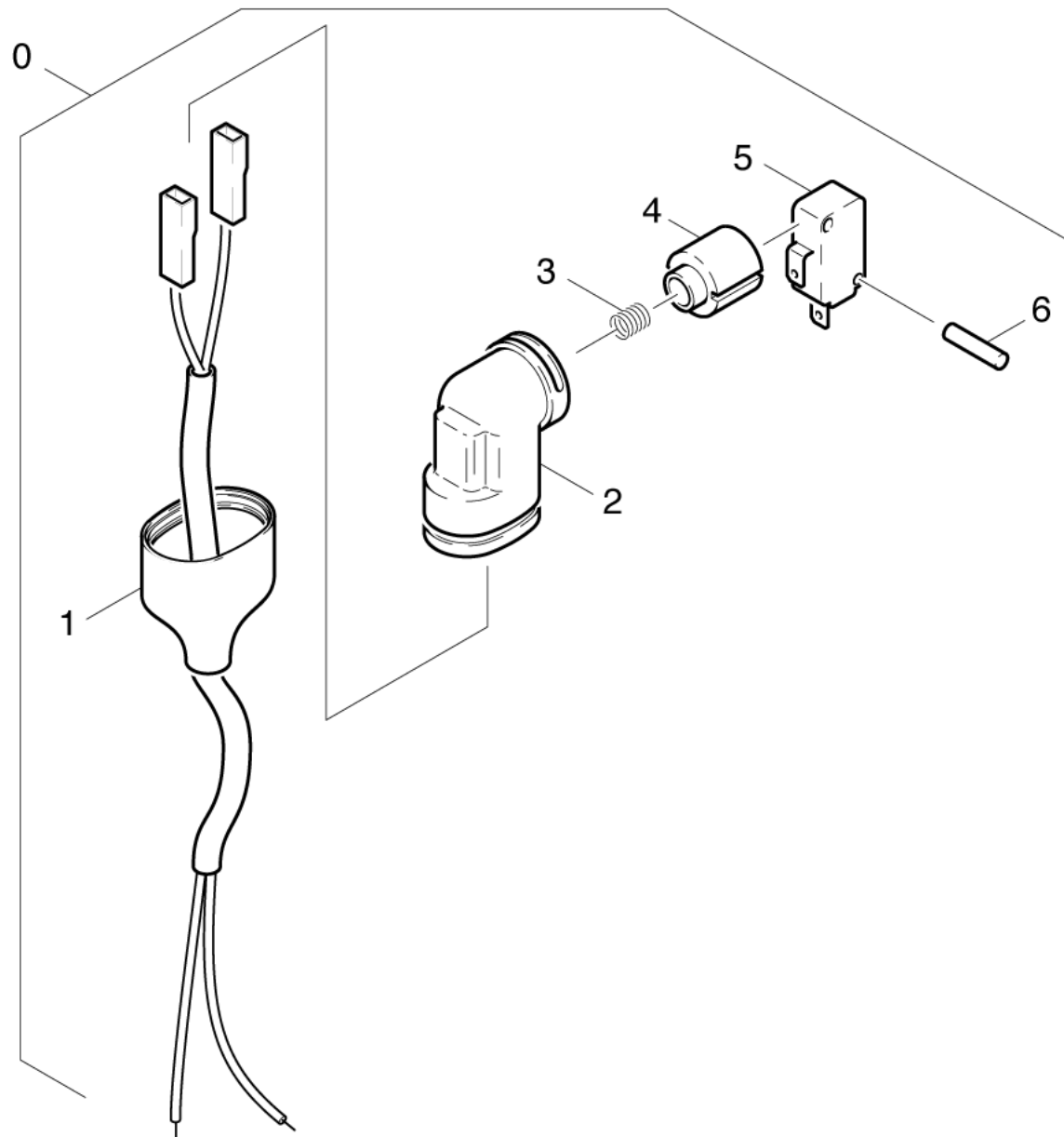


32 Valve (3 Stueck) (2.884-512.0)

POS	Article no.	Description	Quantity	Unit
5	6.363-003.0	O-Ring seal 13,0 X 2,0-NBR 90	1.000	ST

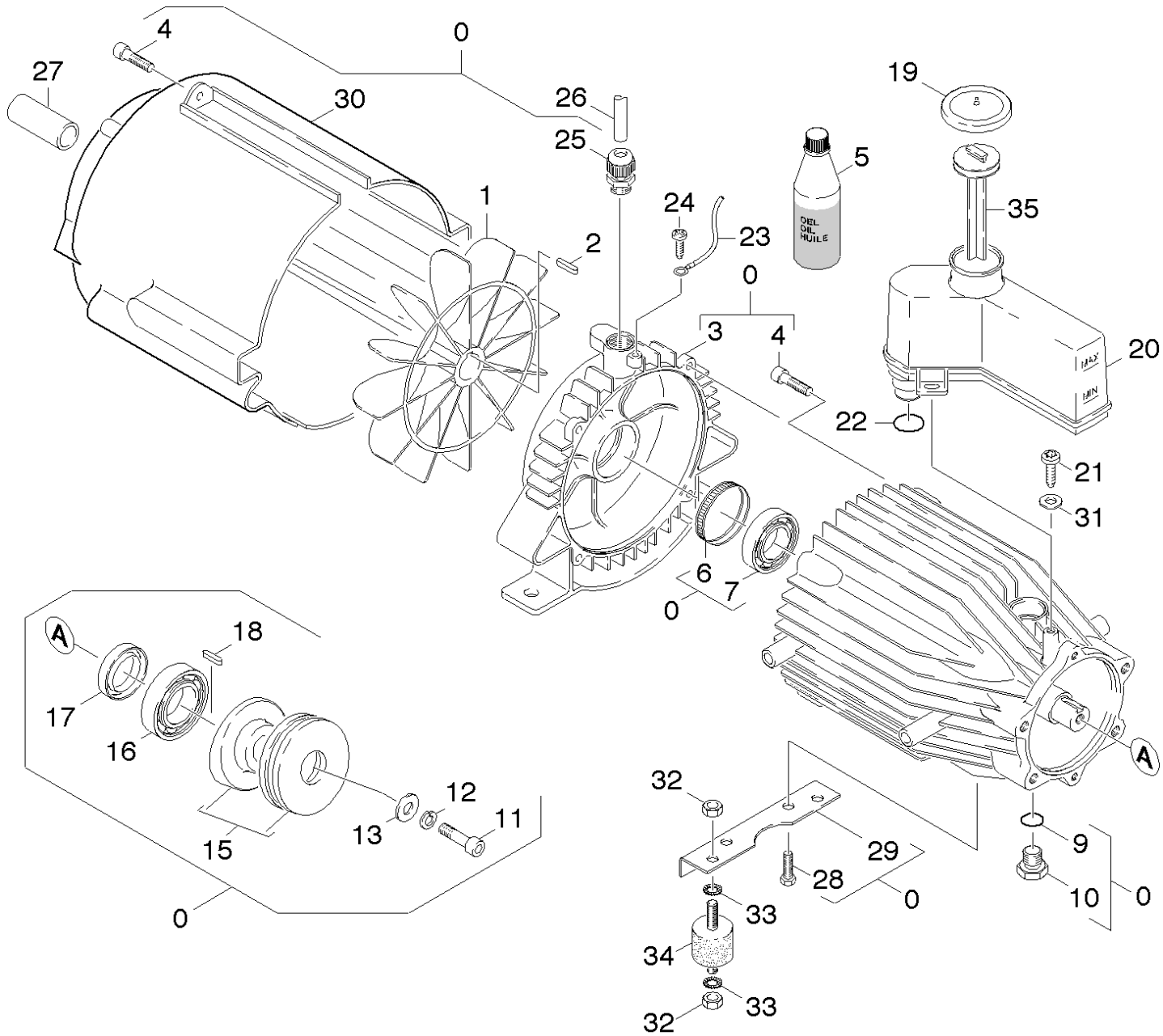
100 Spare part set pump (2.883-972.0)

POS	Article no.	Description	Quantity	Unit
210	6.365-351.0	Compact seal 16 x 24 x 4	3.000	ST
240	6.591-075.0	Folding carton 140x100x70 mm Kärcher	1.000	ST
220	6.365-408.0	Grooved ring 16x24x5.3	3.000	ST
200	6.365-322.0	Grooved ring 16X24X7	3.000	ST
110	6.362-151.0	O-Ring d. 10 x 2 NBR 70	1.000	ST
120	6.362-169.0	O-Ring seal 12,0 X 2,0	1.000	ST
190	6.363-003.0	O-Ring seal 13,0 X 2,0-NBR 90	6.000	ST
160	6.362-481.0	O-Ring seal 14,0 x 2,0 NBR 80	6.000	ST
170	6.362-547.0	O-Ring seal 20,0x1,5-NBR 70	2.000	ST
140	6.362-398.0	O-Ring seal 27,5 X 1,5-NBR 70	3.000	ST
180	6.362-963.0	O-Ring seal 88,57X 2,62	1.000	ST
130	6.362-368.0	O-Ring seal complete /1ST.-R.	2.000	ST
150	6.362-468.0	O-Ring seal complete 1ST.-R.	1.000	ST
60	5.034-494.0	Retaining bracket	2.000	ST
20	4.580-295.0	Valve complete	5.000	ST
10	4.580-262.0	Valve complete	1.000	ST
30	4.580-349.0	Valve complete chemistry	1.000	ST
50	4.582-019.0	Valve disc complete	1.000	ST
100	5.584-060.0	Valve pin	1.000	ST
40	4.580-589.0	Valve with slot	1.000	ST
90	5.115-796.0	Washer	2.000	ST
70	5.115-492.0	Washer	3.000	ST
80	5.115-493.0	Washer	3.000	ST



25 Switch

POS	Article no.	Description	Quantity	Unit
4	5.053-051.0	Bracket	1.000	ST
1	6.648-111.0	Control cable	1.000	ST
2	5.042-860.0	Holder	1.000	ST
5	6.631-807.0	Micro switch	1.000	ST
3	5.332-322.0	Spring	1.000	ST
6	7.314-664.0	Straight grooved pin 3,0x20-KU ISO 8740	1.000	ST
0	4.744-001.0	Switch complete -nur fuer Ersatz-	2.000	ST

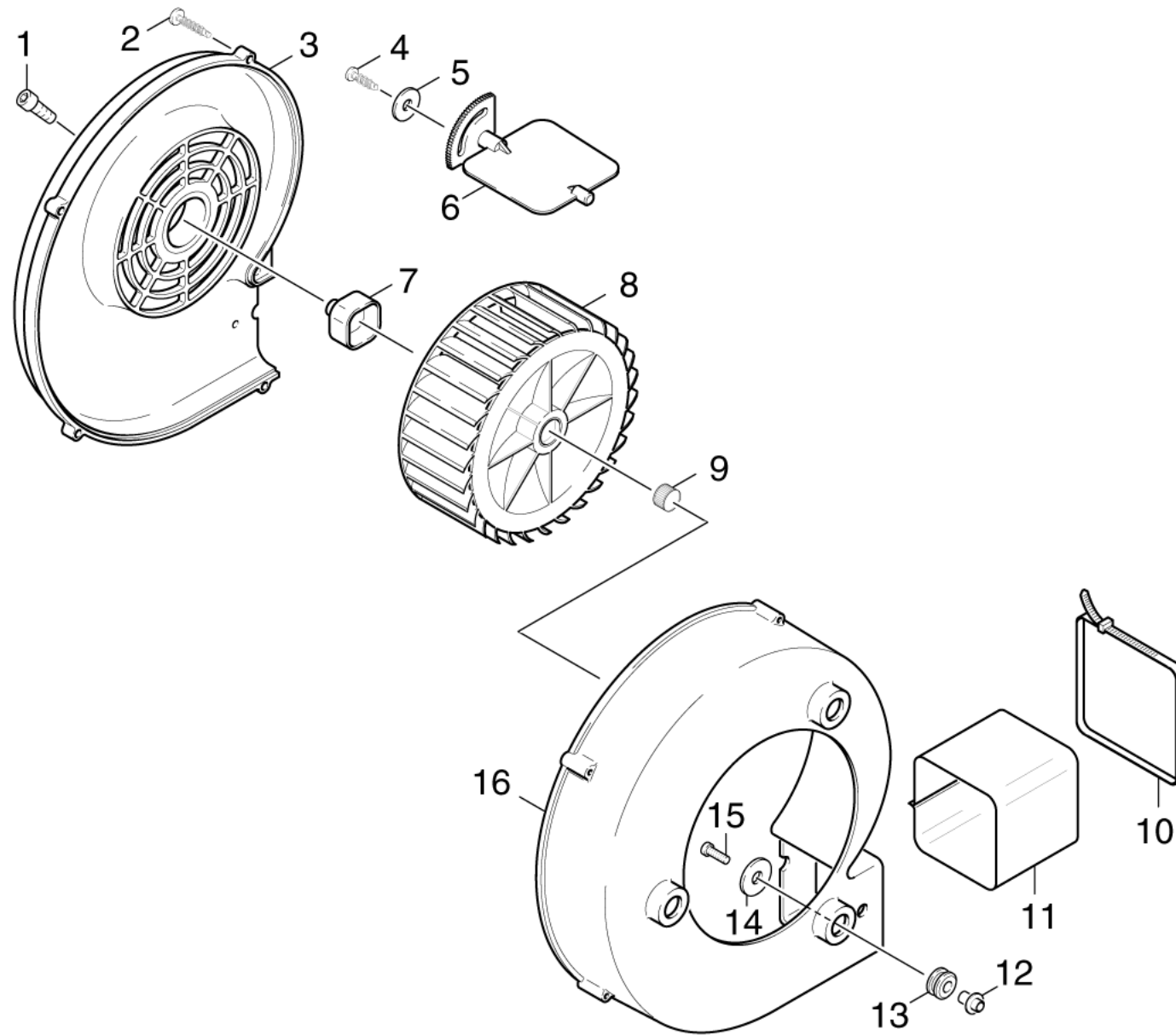


30 Motor

POS	Article no.	Description	Quantity	Unit	Foot note text
30	5.692-056.0	Air circulation	1.000	ST	
29	5.017-465.0	Angle holder motor	1.000	ST	
7	6.401-285.0	Ball bearing 6204 2RS	1.000	ST	
16	7.401-032.0	Ball bearing 7305-B-WAELZLAGST DIN 628	1.000	ST	
3	5.063-955.0	Bearing cover B	1.000	ST	
1	5.600-046.0	Blower wheel	1.000	ST	
25	6.648-344.0	Cable gland grey M20X1,5	1.000	ST	
23	4.820-578.0	Cable green/yellow 1,5mm ² x450mm	1.000	ST	
19	5.064-457.0	Cover rusty grey SAE 90	1.000	ST	
5	6.288-016.0	Gear oil 1L	1.000	ST	
32	7.311-004.0	Hexagon nut M8 -8-A3E ISO 4032	8.000	ST	
26	6.642-011.0	Insulating hose 10	1.000	M	TO ORDER AS CUT GOODS
0	4.623-497.0	Motor complete	1.000	ST	
	Item text1: / 1.025-392.0				
	Item text2: 4154545				
0	4.623-474.0	Motor complete only for replacement	1.000	ST	
	Item text1: / 1.025-341.0 / -342.0 / -343.0				
	Item text2: / -361.0 / -362.0 / -391.0				
35	5.031-974.0	Moulded part	1.000	ST	
9	6.363-273.0	O-Ring seal 11,0 x 2,0	1.000	ST	
22	6.362-161.0	O-Ring seal 19,3 X 2,4	1.000	ST	
18	7.318-003.0	Parallel key 5X 5X 18-C45R DIN 6885	1.000	ST	
2	7.318-079.0	Parallel key A 5x5x25-C45R DIN 6885	1.000	ST	
17	7.367-156.0	Radial shaft seal ring A30x40x7-NBR DIN	1.000	ST	
34	6.339-060.0	Rubber buffer M8	4.000	ST	
24	7.303-031.0	Screw M4x10 -St-P2R (In6Rd)	1.000	ST	
21	7.303-038.0	Screw M5x12 -St-P2R (In6Rd)	1.000	ST	
4	7.303-048.0	Screw M6x20 -St-R3R (In6Rd)	7.000	ST	
11	7.306-092.0	Screw M6x20-ST- 8.8-R3R (IN6RD)	1.000	ST	
28	7.303-068.0	Screw M8x20 -St-R3R (In6Rd)	2.000	ST	
10	5.411-100.0	Screw plug	1.000	ST	
27	5.110-841.0	Spacer sleeve	1.000	ST	
12	7.313-003.0	Spring washer B 6-FSt-A3E DIN 127	1.000	ST	

30 Motor

POS	Article no.	Description	Quantity	Unit	Foot note text
20	5.070-521.0	Tank oil	1.000	ST	
6	6.343-171.0	Tolerance ring	1.000	ST	
33	7.312-166.0	Toothed lock washer A8,4-FSt-A3E DIN 67	8.000	ST	
13	7.312-260.0	Washer 6 -100HV-A3E ISO 7094	1.000	ST	
31	7.312-003.0	Washer 6 -200HV-A3E ISO 7090	1.000	ST	
15	4.120-199.0	Wobble plate complete only for replaceme	1.000	ST	
	Item text1: / 1.025-392.0				
15	4.120-197.0	Wobble plate complete only for replaceme	1.000	ST	
	Item text1: / 1.025-341.0 / -342.0 / -343.0				
	Item text2: / -361.0 / -362.0 / -391.0				

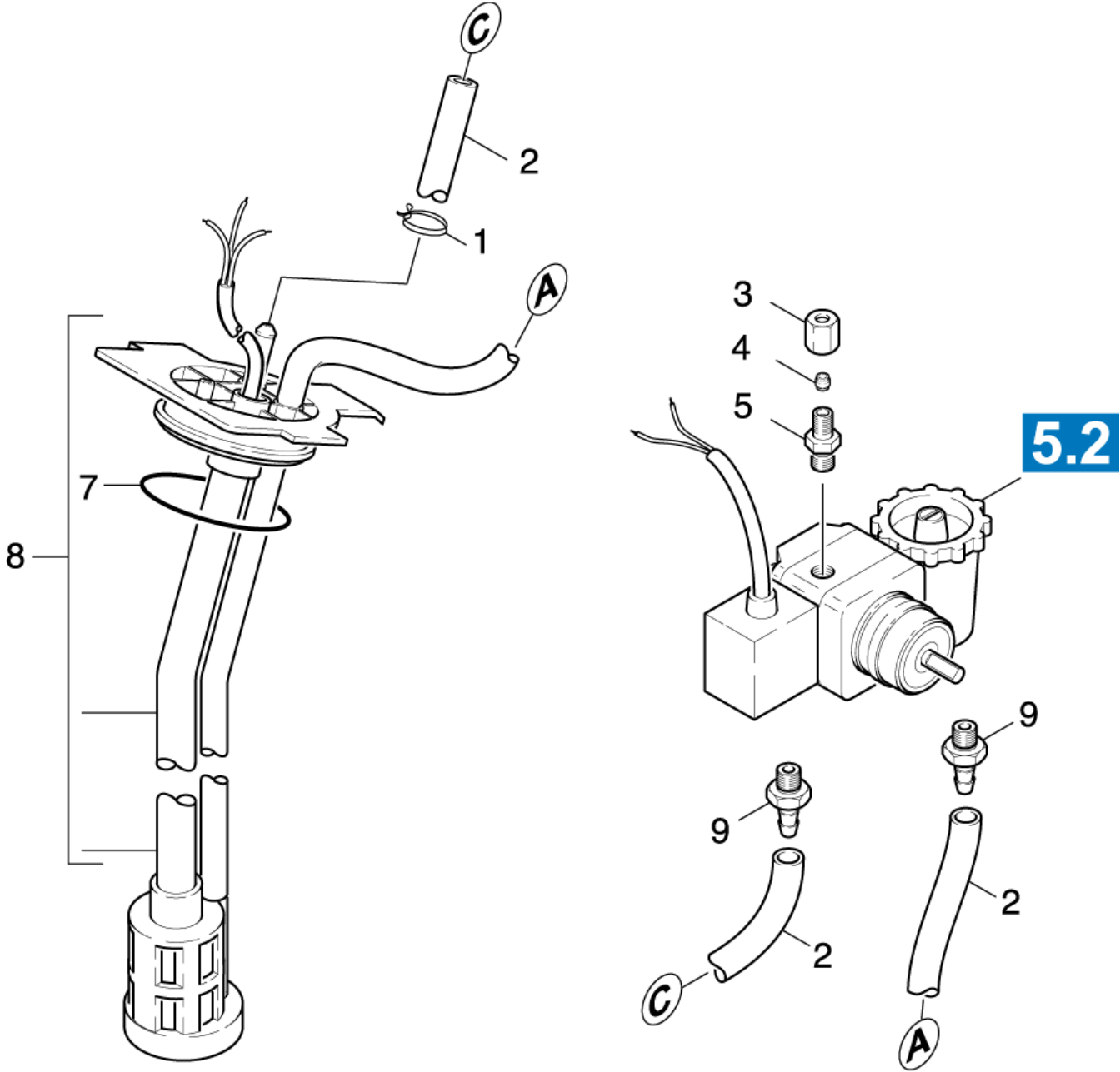


40 Blower

POS	Article no.	Description	Quantity	Unit
6	5.606-002.0	Air flap	1.000	ST
8	5.600-021.0	Blower wheel	1.000	ST
11	5.178-028.0	Cloth collar	1.000	ST
7	5.471-060.0	Coupling element	1.000	ST
3	5.063-274.0	Cover	1.000	ST
16	5.605-143.0	Housing	1.000	ST
13	5.379-011.0	Rubber ring	3.000	ST
2	7.303-084.0	Screw 4x25 -10.9-R2R (K-In6Rd)	5.000	ST
15	7.303-114.0	Screw 6 x 35-ST-10.9-R2R (IN6RD)	3.000	ST
1	7.306-090.0	Screw M6x16 -8.8-R3R (In6Rd)	1.000	ST
4	7.303-077.0	Sheet metal screw ST4,8X16-ST-R2R (IN6R	1.000	ST
12	5.110-644.0	Sleeve	3.000	ST
10	6.388-608.0	Tightening strap	2.000	ST
9	6.343-166.0	Tolerance ring D14X8	1.000	ST
5	7.312-278.0	Washer 5-200HV-A2E ISO7093-1	1.000	ST
14	7.312-276.0	Washer 6 -200HV-A2E ISO7093-1	3.000	ST

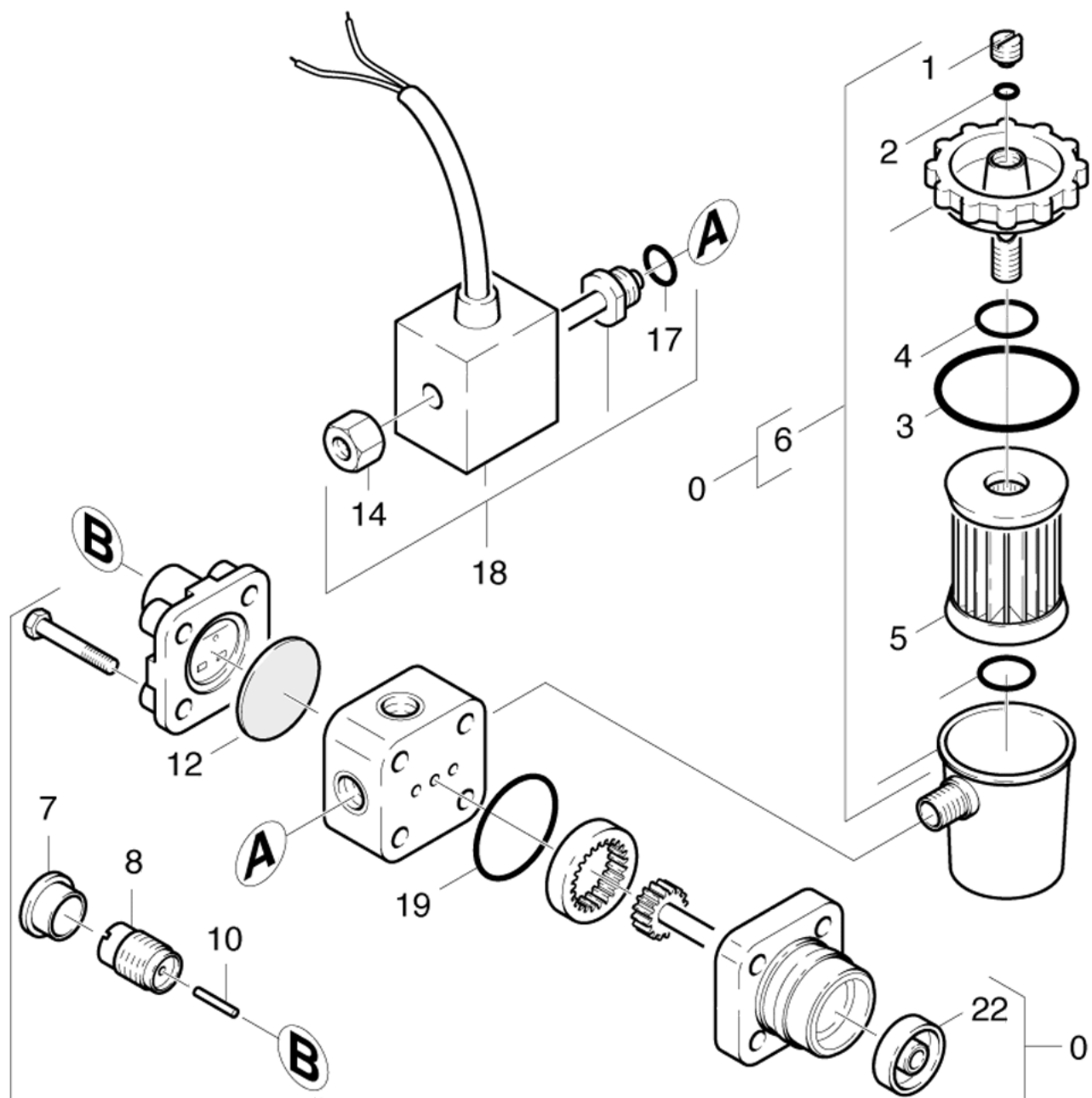
50 Fuel system

POS	Description	Quantity	Unit
52	Fuel pump	1.000	ST
51	Fuel pump	1.000	ST



51 Fuel pump

POS	Article no.	Description	Quantity	Unit	Foot note text
4	6.389-263.0	Cutting ring d.4	1.000	ST	
2	6.389-534.0	Hose	1.000	M	TO ORDER AS CUT GOODS
1	6.389-768.0	Hose clip	1.000	ST	
9	6.472-927.0	Hose stem only for replacement	2.000	ST	
7	6.362-855.0	O-Ring seal 56,0 X 4,0	1.000	ST	
8	4.421-631.0	Pipelines BR.ST.	1.000	ST	
5	6.389-261.0	Screw union	1.000	ST	
3	6.389-262.0	Union nut A 4-LL	1.000	ST	

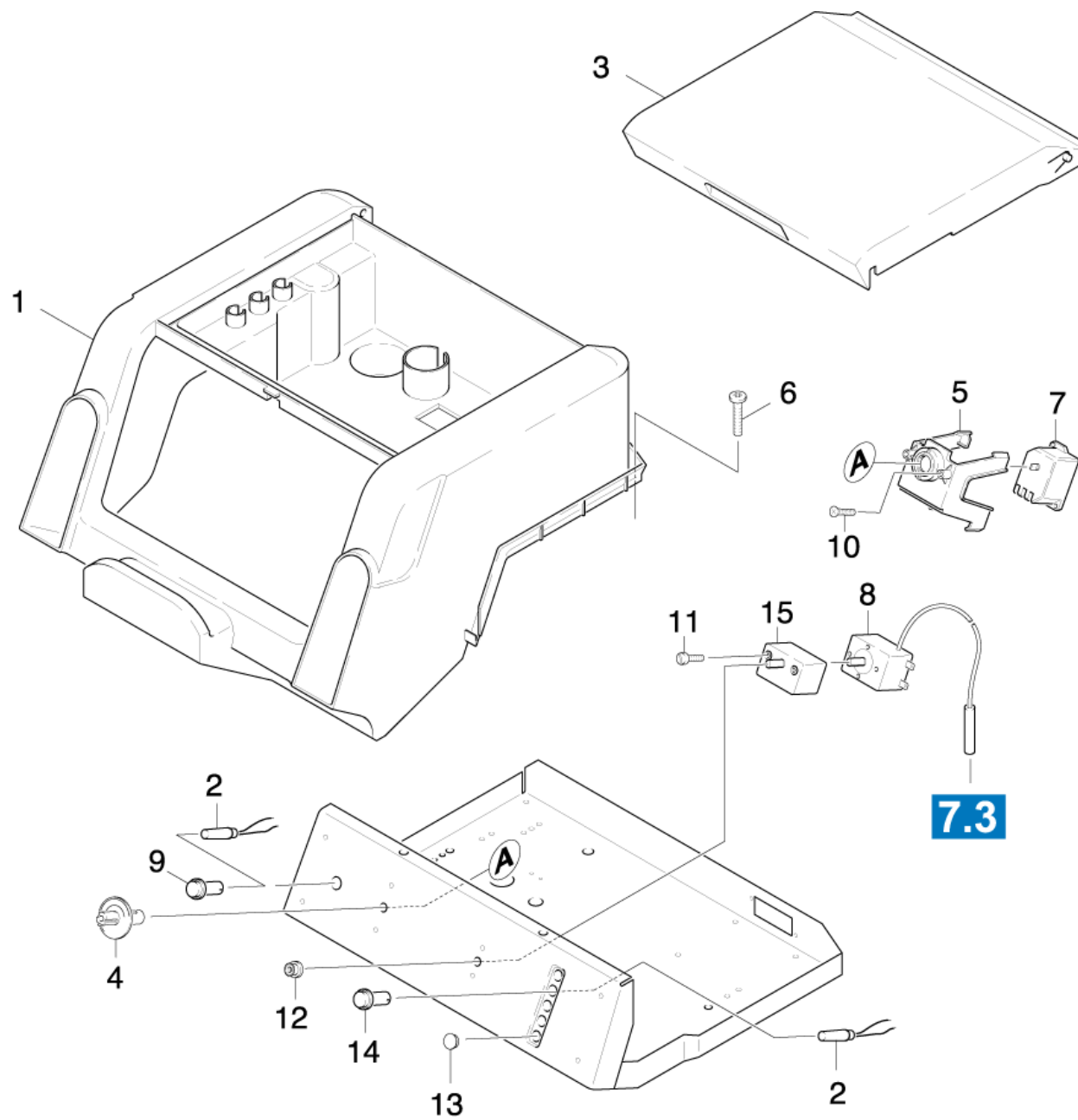


52 Fuel pump

POS	Article no.	Description	Quantity	Unit
12	6.472-128.0	Diaphragm	1.000	ST
5	6.472-113.0	Filter cartridge	1.000	ST
6	6.472-123.0	Filter housing complete	1.000	ST
8	6.472-109.0	Housing spring	1.000	ST
14	6.472-340.0	Knurled nut	1.000	ST
2	6.472-106.0	O-Ring seal 5,0 X 1,8	1.000	ST
4	6.472-112.0	O-Ring seal 10,0 x 2,4 NBR 70	1.000	ST
17	6.472-125.0	O-Ring seal 12,0 X 1,5	1.000	ST
19	6.472-120.0	O-Ring seal 28,5 X 1,6	1.000	ST
3	6.472-111.0	O-Ring seal 32,0 X 1,6	1.000	ST
10	6.472-108.0	Pin	1.000	ST
7	6.472-122.0	Protecting cap	1.000	ST
0	6.472-925.0	Pump oil burner only for replacement	1.000	ST
1	6.472-107.0	Screw ventilation	1.000	ST
22	6.472-105.0	Seal axle	1.000	ST
18	6.472-411.0	Solenoid valve	1.000	ST

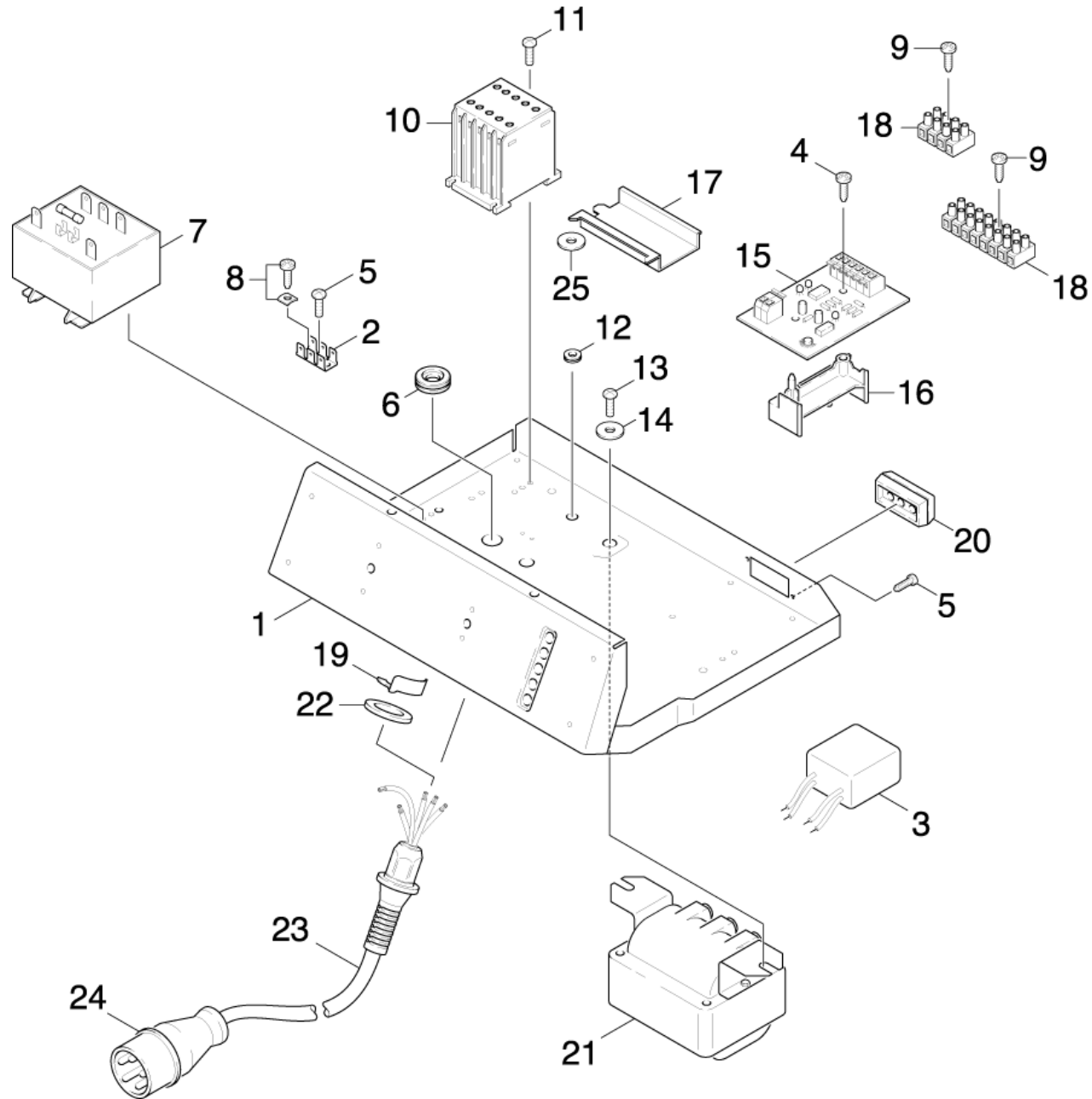
60 Electric control box

POS	Description	Quantity	Unit
62	Bottom part	1.000	ST
61	Top part	1.000	ST



61 Top part

POS	Article no.	Description	Quantity	Unit
10	7.303-125.0	Countersunk screw 4x16 -10.9-R2R (In6Rd)	2.000	ST
1	5.067-198.0	Cover	1.000	ST
3	5.031-914.0	Flap	1.000	ST
5	5.044-412.0	Holder (CONDOR-SCHAER)	1.000	ST
9	6.651-421.0	Lens housing green	1.000	ST
14	6.651-316.0	Lens housing red	3.000	ST
7	6.631-196.0	Motor protecting switch	1.000	ST
	Item text1: / 1.025-342.0 / -362.0 / -392.0			
7	6.631-190.0	Motor protecting switch	1.000	ST
	Item text1: / 1.025-341.0 / -343.0 / -361.0			
	Item text2: / -391.0			
13	6.368-076.0	Ornamental hub cap D10/D12	2.000	ST
2	4.651-026.0	Pilot lamp only for replacement	4.000	ST
12	5.365-152.0	Profile gasket	1.000	ST
11	7.306-056.0	Screw M4x8 -8.8-R2R (In6Rd)	2.000	ST
6	7.303-045.0	Screw M5x55 -St-ZNBHL (In6Rd)	2.000	ST
4	5.100-335.0	Shaft switch CONDOR	1.000	ST
15	6.630-368.0	Switch	1.000	ST
8	6.686-173.0	Thermostat	1.000	ST



62 Bottom part

POS	Article no.	Description	Quantity	Unit
23	6.648-514.0	Cable complete .4X2,5 Item text1: / 1.025-342.0 / -362.0 / -392.0	1.000	ST
23	6.647-250.0	Cable with rubber bushing Item text1: / 1.025-341.0 / -343.0 / -361.0 Item text2: / -391.0	1.000	ST
10	4.632-002.0	Contactor -nur fuer Ersatz- Item text1: / 1.025-341.0 / -343.0 / -361.0 Item text2: / -391.0	1.000	ST
10	6.632-356.0	Contactor LC1-D18 B7 Item text1: / 1.025-342.0 / -362.0 / -392.0	1.000	ST
7	4.622-018.0	Control transformer -nur für Ersatz- Item text1: / 1.025-342.0 / -362.0 / -392.0	1.000	ST
7	6.622-241.0	Control transformer 400V Item text1: / 1.025-341.0 / -343.0 / -361.0 Item text2: / -391.0	1.000	ST
24	6.646-266.0	Coupler plug Item text1: / 1.025-341.0	1.000	ST
21	6.622-167.0	Ignition transformer 230V Item text1: / 1.025-392.0	1.000	ST
21	4.622-033.0	Ignition transformer only for replacemen Item text1: / 1.025-342.0 / -362.0	1.000	ST
3	6.661-229.0	Interference suppressor Item text1: / 1.025-341.0 / -342.0 / -343.0 Item text2: / -361.0 / -362.0 / -391.0	1.000	ST
19	6.343-186.0	Locking ring Item text1: / 1.025-342.0 / -362.0 / -392.0	1.000	ST
20	5.030-931.0	Moulded part	1.000	ST
17	5.802-300.0	Mounting part	1.000	ST
2	6.641-270.0	Plug	1.000	ST
24	6.646-356.0	Plug CEE-32A Item text1: / 1.025-342.0	1.000	ST
6	5.365-158.0	Profile gasket	1.000	ST
15	4.633-058.0	Pulse generator only for replacement	1.000	ST

62 Bottom part

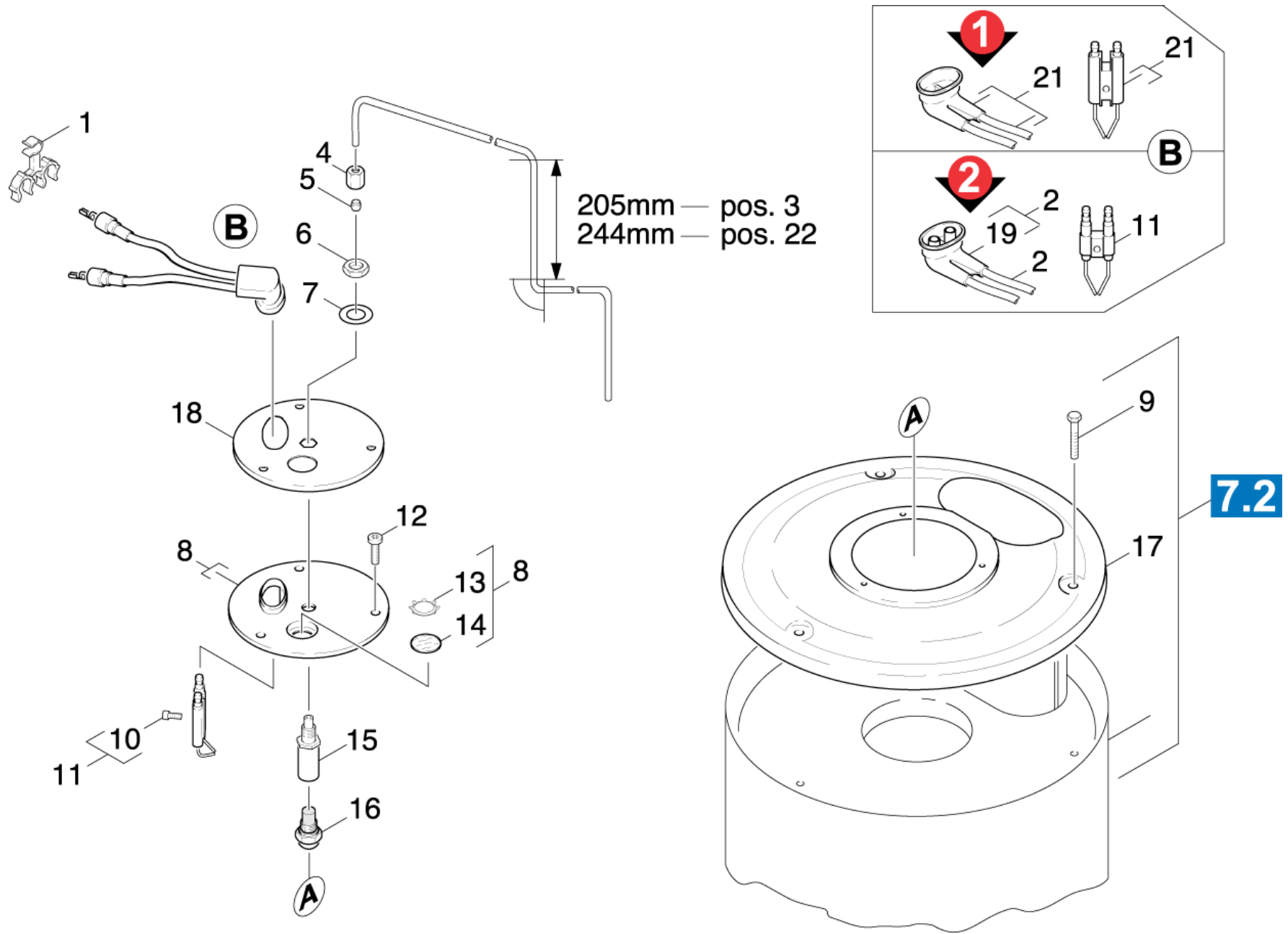
POS	Article no.	Description	Quantity	Unit
19	6.343-170.0	Retaining clip	1.000	ST
	Item text1: / 1.025-341.0 / -343.0 / -361.0			
	Item text2: / -391.0			
5	7.303-030.0	Screw M4x8 -St-P2R (In6Rd)	4.000	ST
8	6.303-317.0	Screw M4x10-St-A2G	2.000	ST
11	7.303-033.0	Screw M4x16-ST-P2R (KOMBI-IN6RD)	2.000	ST
4	7.303-035.0	Screw M4x30 -St-R2R (In6Rd)	1.000	ST
13	7.303-036.0	Screw M5x8 -St-A2R (In6Rd)	1.000	ST
9	7.303-501.0	Self-tapping screw M3x20-ST-A2E DIN 7500	4.000	ST
1	5.049-551.0	Sheet metal component	1.000	ST
	Item text1: / 1.025-341.0 / -343.0 / -361.0			
	Item text2: / -391.0			
1	5.049-657.0	Sheet metal component electric control b	1.000	ST
	Item text1: / 1.025-342.0 / -362.0 / -392.0			
21	2.883-791.0	Spare parts set ignition transformer	1.000	ST
	Item text1: / 1.025-341.0 / -343.0 / -361.0			
	Item text2: / -391.0			
18	6.643-249.0	Strip terminal	1.000	ZST
16	5.057-043.0	Support	1.000	ST
22	5.115-255.0	Washer	1.000	ST
	Item text1: / 1.025-341.0 / -343.0 / -361.0			
	Item text2: / -391.0			
22	5.115-921.0	Washer	1.000	ST
	Item text1: / 1.025-342.0 / -362.0 / -392.0			
25	7.312-282.0	Washer 5 -A2 ISO 7093-1	1.000	ST
14	7.312-260.0	Washer 6 -100HV-A3E ISO 7094	1.000	ST
12	6.641-422.0	Wire protecting sleeve	1.000	ST

21 Spare parts set ignition transformer (2.883-791.0)

POS	Article no.	Description	Quantity	Unit
30	6.647-518.0	Ignition cable	1.000	ST
10	4.821-071.0	IGNITION LEAD (HDS 557CI)	1.000	ST
20	6.622-157.0	Ignition transformer 400V 50Hz	1.000	ST

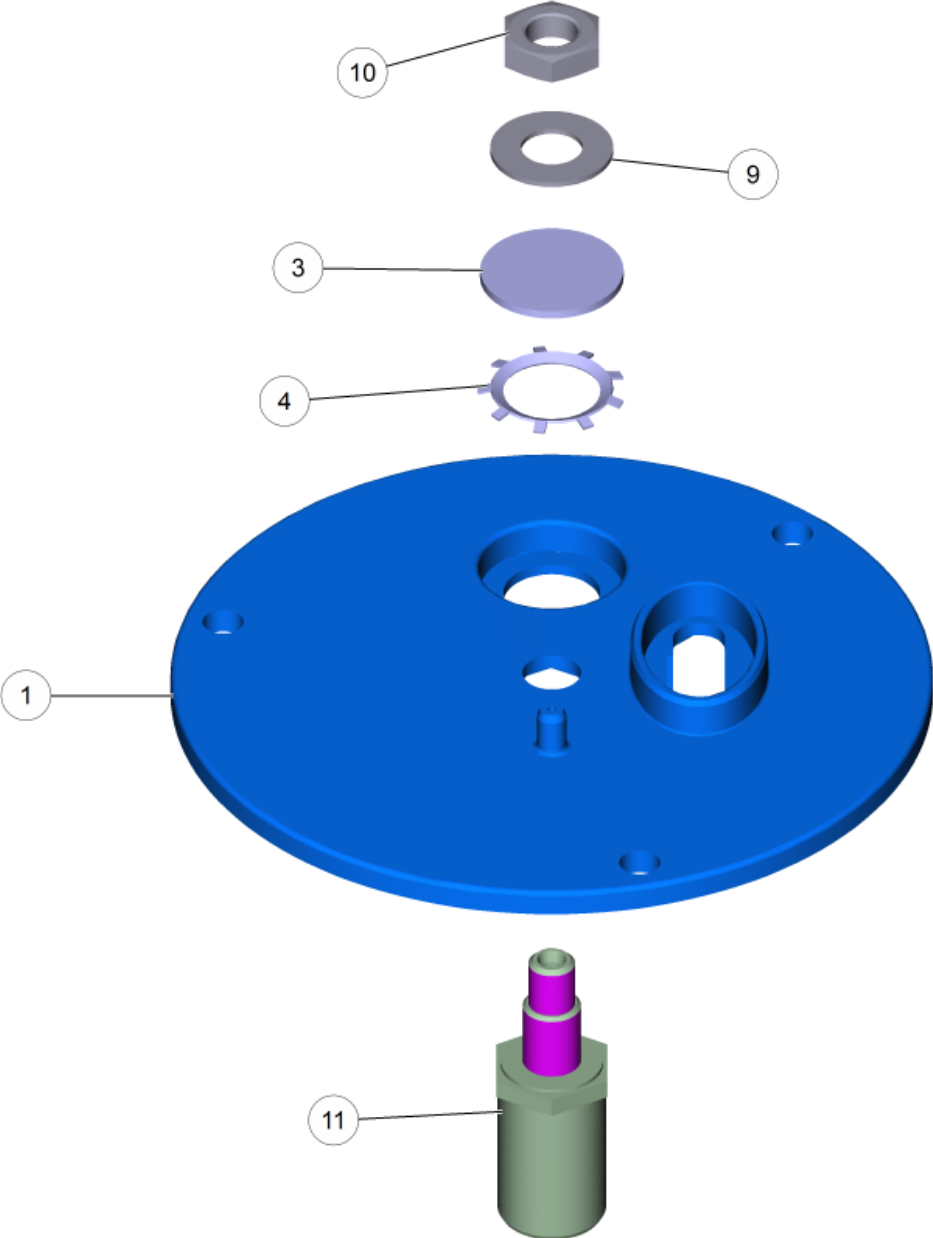
70 Flow heater

POS	Description	Quantity	Unit
73	Burner bottom	1.000	ST
71	Burner cover	1.000	ST
72	Heating coil	1.000	ST



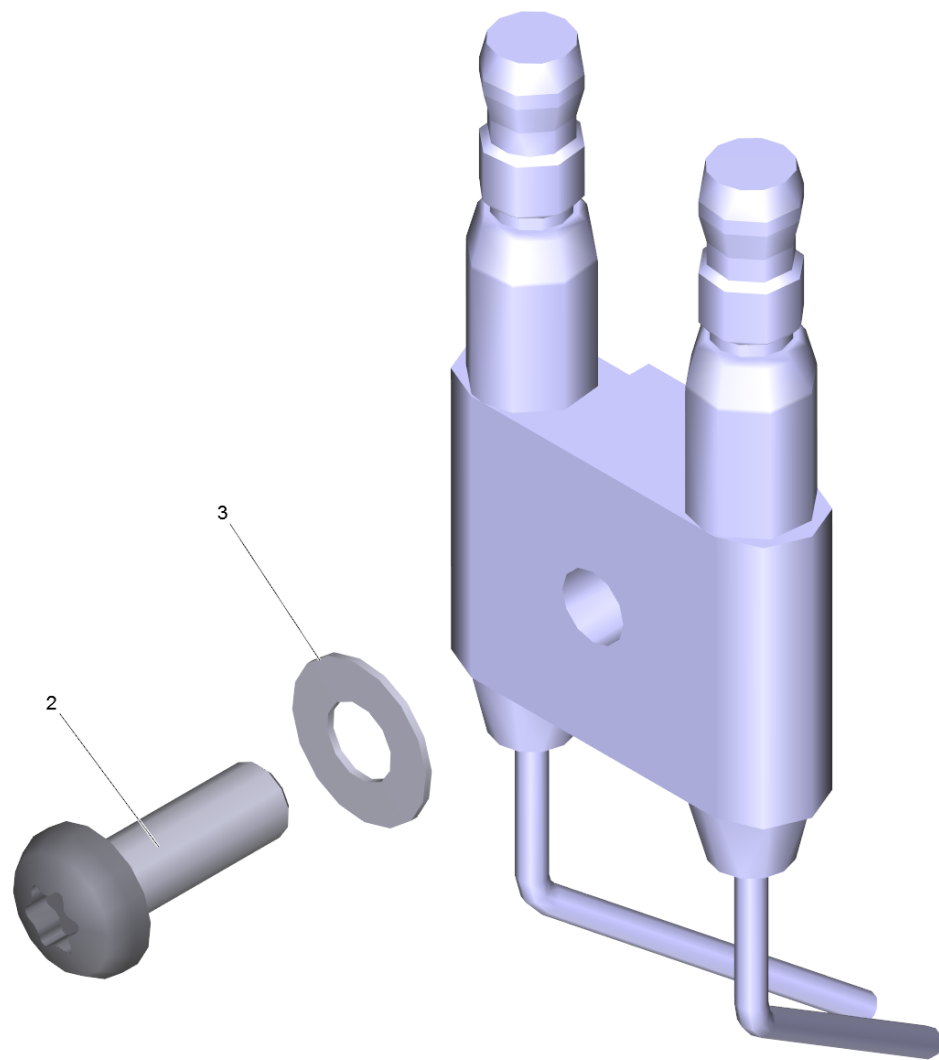
71 Burner cover

POS	Article no.	Description	Quantity	Unit
22	5.423-309.0	Conduit	1.000	ST
3	5.423-180.0	Conduit fuel	1.000	ST
21	2.638-976.0	Conversion kit ignition cable	1.000	ST
11	2.638-974.0	Conversion kit ignition electrode	1.000	ST
17	5.654-066.0	Cover pressure boiler	1.000	ST
8	4.654-218.0	Cover pressure boiler	1.000	ST
18	5.654-059.0	Cover pressure boiler	1.000	ST
5	6.389-263.0	Cutting ring d.4	1.000	ST
14	6.278-018.0	Glass pane	1.000	ST
6	7.311-101.0	Hexagon nut M10x1 -04-A2E ISO 8675	1.000	ST
1	6.647-527.0	Holder	1.000	ST
2	4.821-071.0	IGNITION LEAD (HDS 557CI)	1.000	ST
16	6.415-682.0	Nozzle 1,35GPH	1.000	ST
15	5.667-055.0	Nozzle holder	1.000	ST
19	5.394-470.0	Protecting cap	1.000	ST
12	7.303-038.0	Screw M5x12 -St-P2R (In6Rd)	3.000	ST
10	7.306-217.0	Screw M5x14 -8.8-R2R (In6Rd)	1.000	ST
9	6.303-258.0	Self-tapping screw	3.000	ST
13	6.343-165.0	Serrated ring	1.000	ST
7	7.312-302.0	Spring washer B10-FST-A2E DIN 137	1.000	ST
4	6.389-262.0	Union nut A 4-LL	1.000	ST



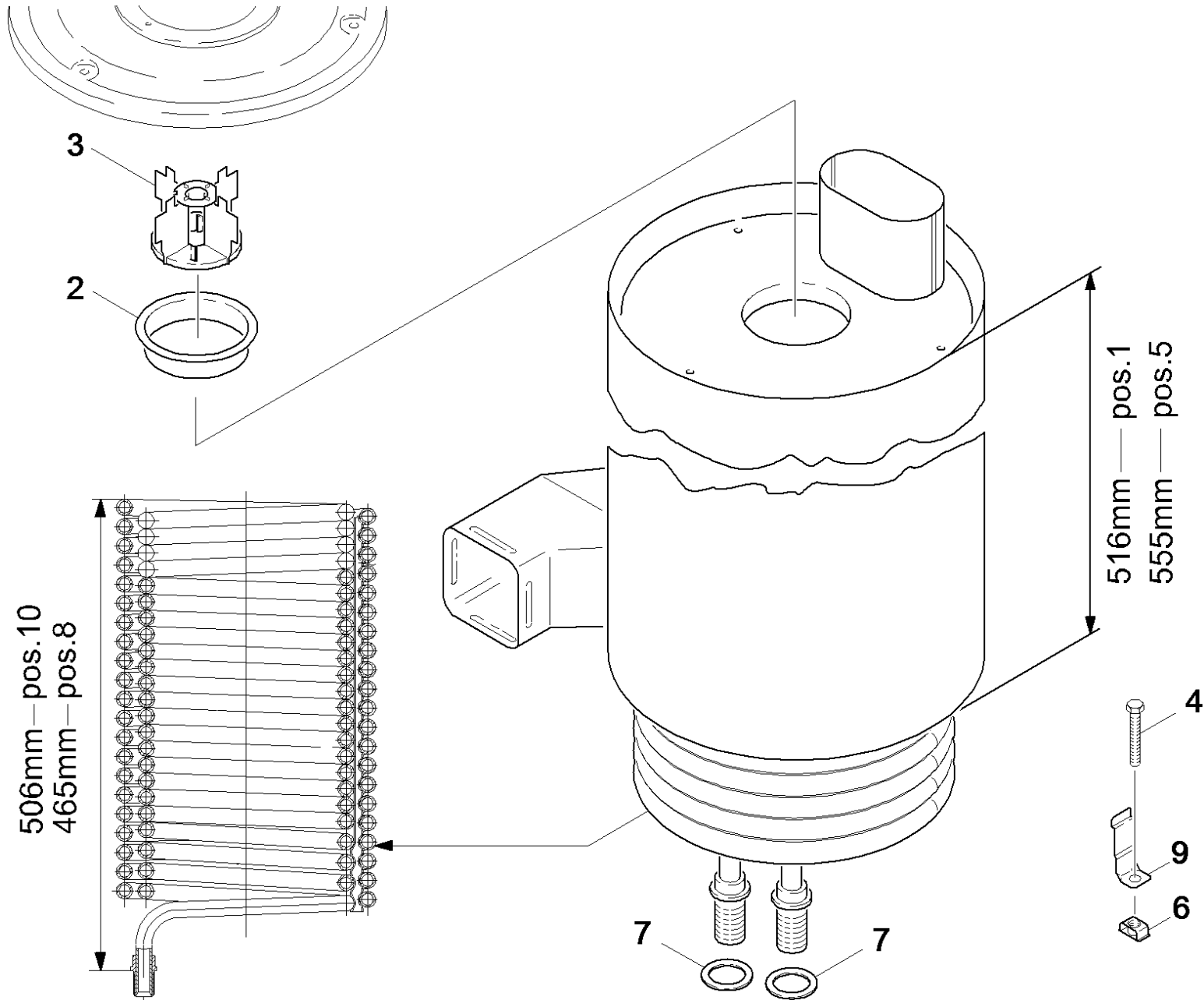
8 Cover pressure boiler (4.654-218.0)

POS	Article no.	Description	Quantity	Unit
1	5.662-022.0	Burner cover	1.000	ST
3	6.278-018.0	Glass pane	1.000	ST
10	7.311-101.0	Hexagon nut M10x1 -04-A2E ISO 8675	1.000	ST
11	5.667-055.0	Nozzle holder	1.000	ST
4	6.343-165.0	Serrated ring	1.000	ST
9	7.312-302.0	Spring washer B10-FST-A2E DIN 137	1.000	ST



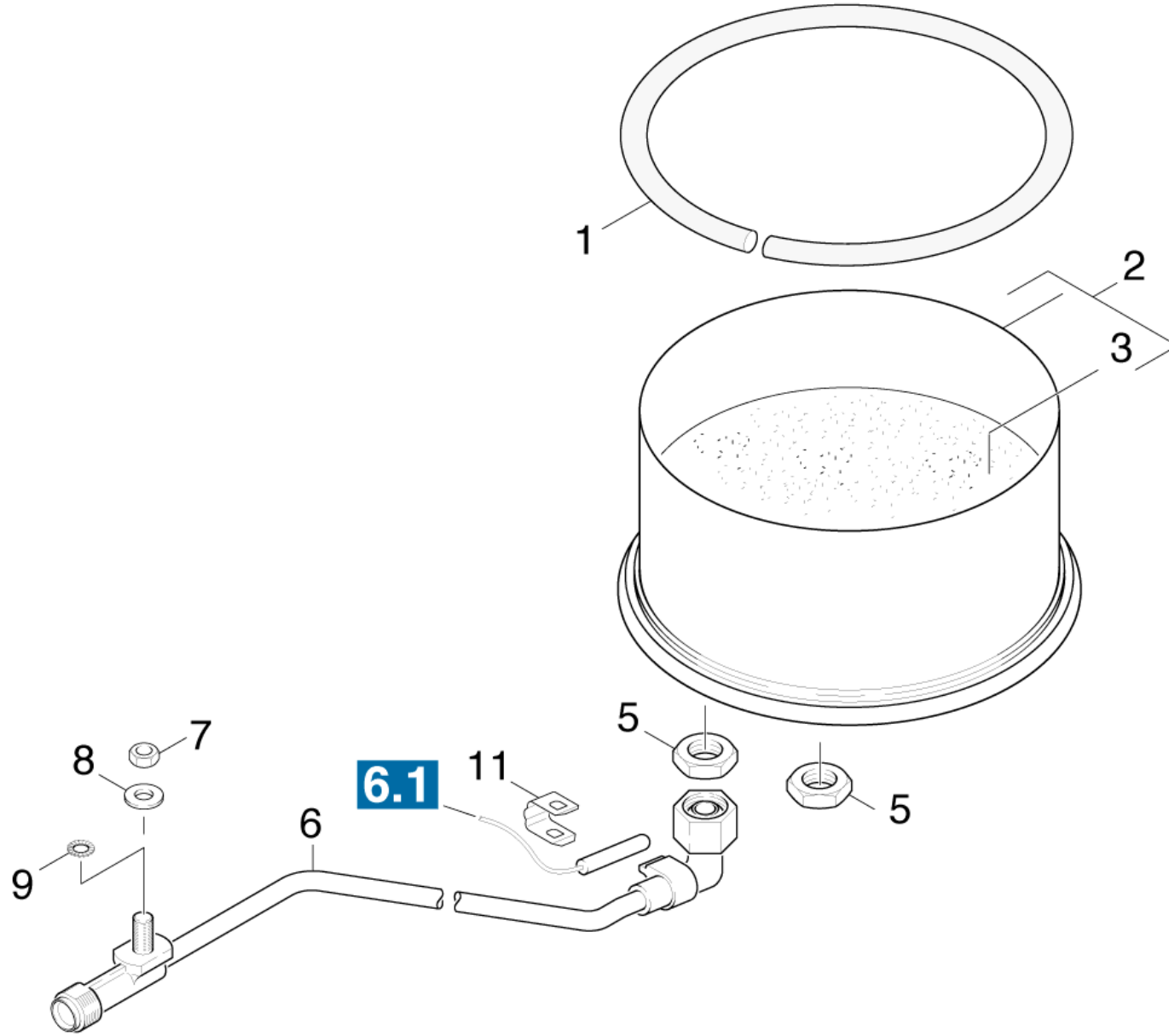
11 Conversion kit ignition electrode (2.638-974.0)

POS	Article no.	Description	Quantity	Unit
2	7.306-217.0	Screw M5x14 -8.8-R2R (In6Rd)	1.000	ST
3	7.312-304.0	Spring washer B 5-FST-A2E DIN 137	1.000	ST



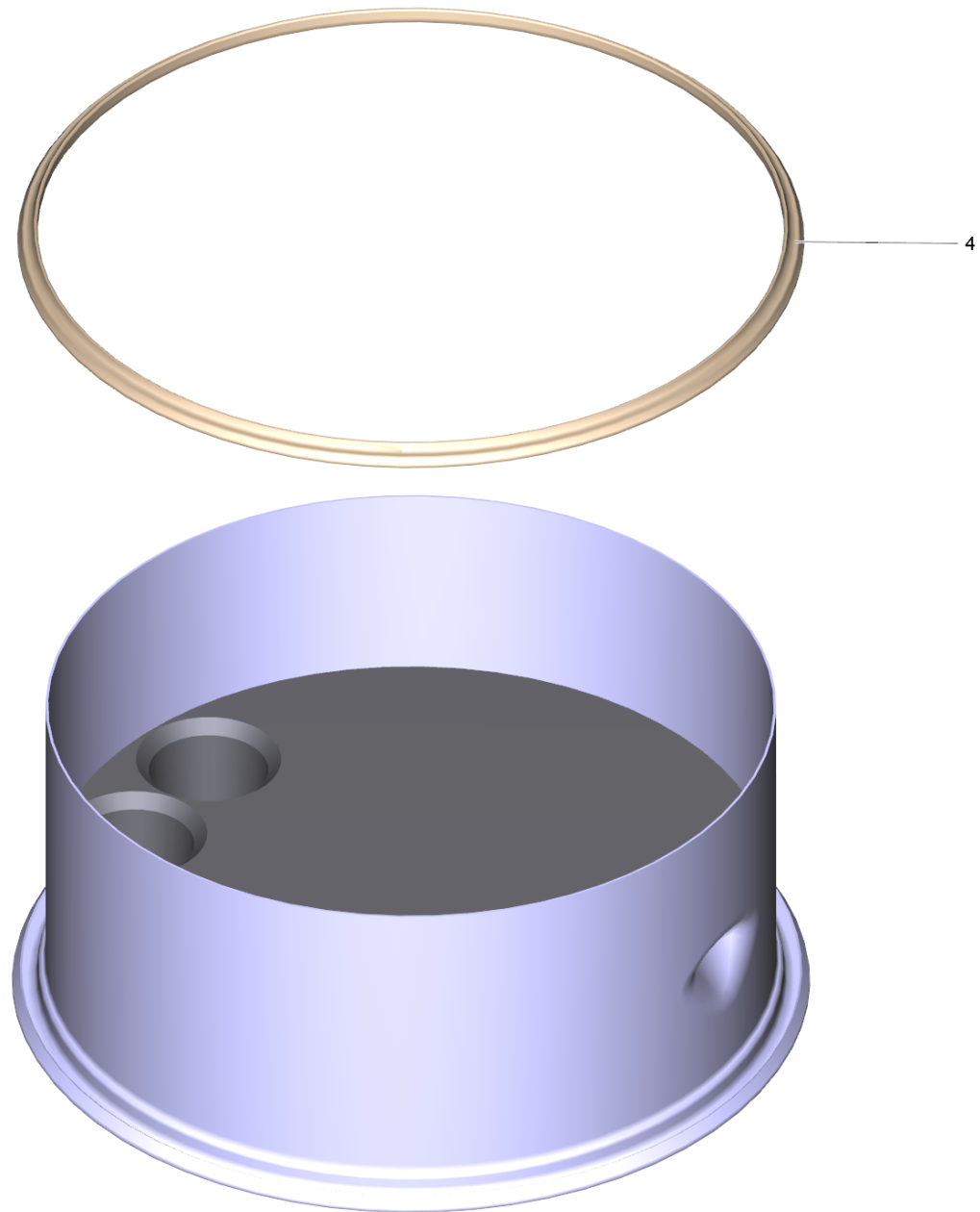
72 Heating coil

POS	Article no.	Description	Quantity	Unit	Remark	Foot note text
3	4.663-088.0	Baffle plate complete	1.000	ST		
2	5.664-195.0	Burner part	1.000	ST		
6	6.310-081.0	Cage nut M 8	3.000	ST		
8	4.680-123.0	Heating coil	1.000	ST	VERSION 1	
10	4.680-135.0	Heating coil	1.000	ST	VERSION 2	
10	4.680-137.0	Heating coil VA	1.000	ST		STAINLESS STEEL CONSTRUCTION
8	4.680-114.0	Heating coil VA	1.000	ST		STAINLESS STEEL CONSTRUCTION
4	7.304-051.0	Hexagonal head screw M 8x16-8.8-P2R EN	3.000	ST		
9	5.044-420.0	Holder	3.000	ST		
5	4.652-131.0	Outer covering	1.000	ST	VERSION 2	
1	4.652-123.0	Outer covering	1.000	ST	VERSION 1	
7	5.365-068.0	Profile gasket	2.000	ST		



73 Burner bottom

POS	Article no.	Description	Quantity	Unit
2	4.655-044.0	Bottom pressure boiler	1.000	ST
7	7.311-511.0	Hexagon nut M10-8-A2E ISO 7040	1.000	ST
5	7.311-112.0	Hexagon nut M22X1,5 -22H-A2E DIN 936	2.000	ST
6	4.421-645.0	Pipelines outlet	1.000	ST
	Item text1: / 1.025-392.0			
6	4.421-627.0	Pipelines outlet	1.000	ST
	Item text1: / 1.025-341.0 / -342.0 / -343.0			
	Item text2: / -361.0 / -362.0 / -391.0			
3	2.889-061.0	Refractory material 8kg	1.000	ST
1	6.366-009.0	Seal string	1.000	ST
11	5.263-064.0	Tensioning part	1.000	ST
9	7.312-160.0	Toothed lock washer A10,5 -FSt-A3E DIN	1.000	ST
8	7.312-285.0	Washer 10 -200HV-A2E ISO7093-1	1.000	ST

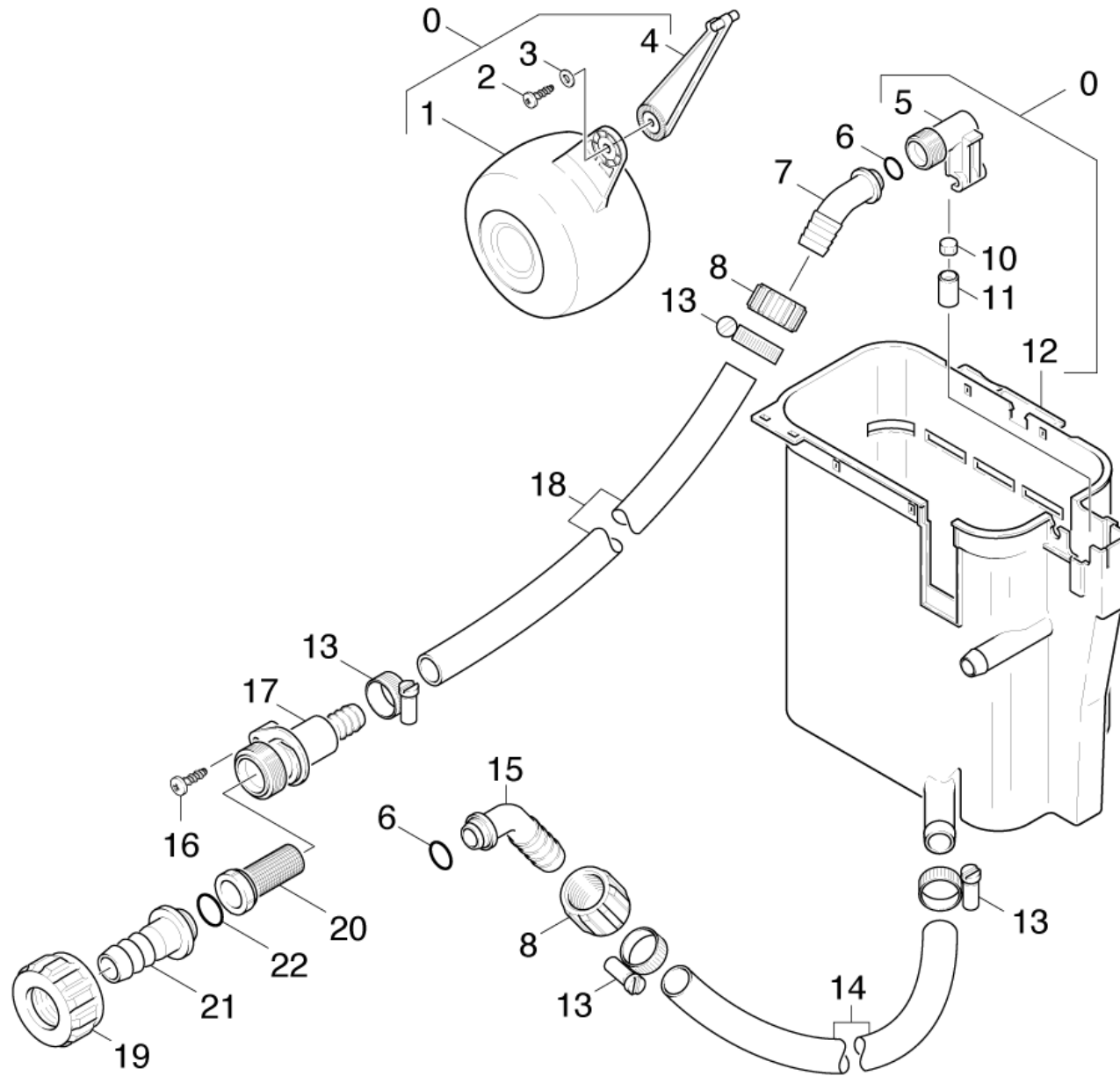


2 Bottom pressure boiler (4.655-044.0)

POS	Article no.	Description	Quantity	Unit
6	6.869-024.0	Quick-bonding agent	0.004	ZST
4	6.366-009.0	Seal string	1.000	ST

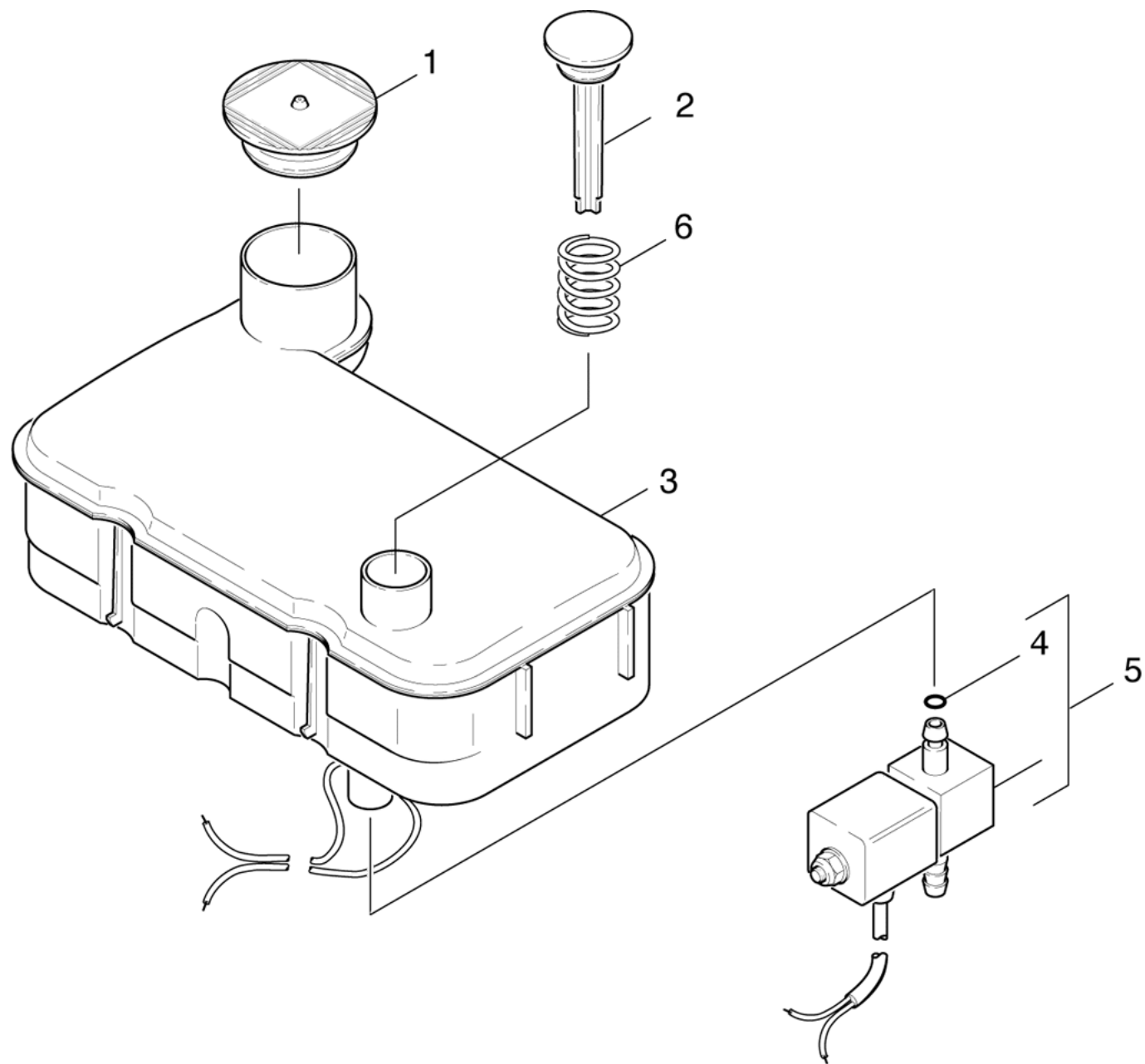
80 Float chest

POS	Description	Quantity	Unit
82	DGT	1.000	ST
81	Float chest	1.000	ST



81 Float chest

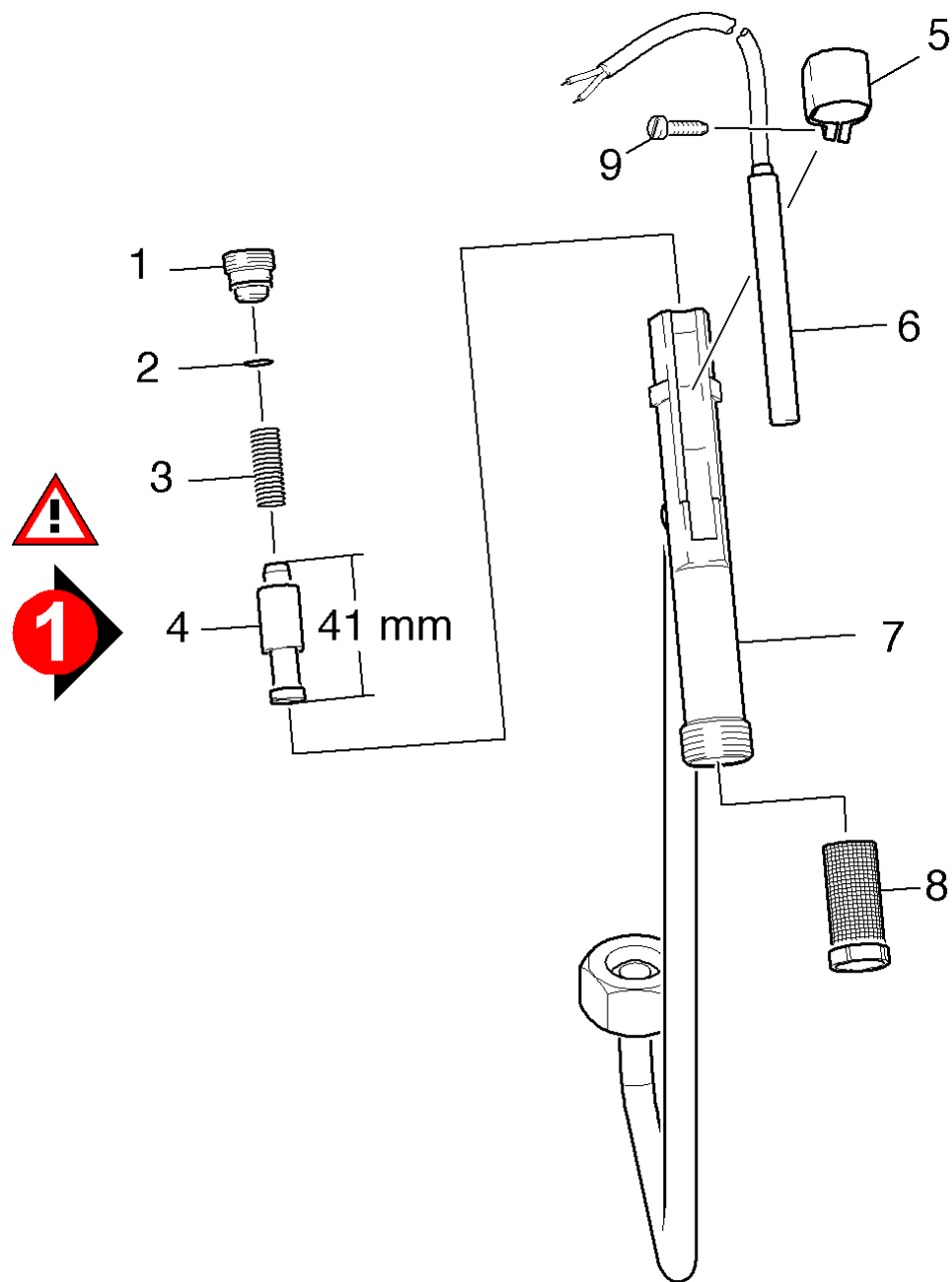
POS	Article no.	Description	Quantity	Unit	Foot note text
10	5.364-095.0	Flat gasket	1.000	ST	
1	5.585-004.0	Float	1.000	ST	
0	3.593-082.0	Float valve	1.000	ST	
	Item text1: / 1.025-341.0 / -342.0 / -343.0				
	Item text2: / -361.0 / -362.0 / -392.0				
0	3.593-108.0	Float valve only for replacement	1.000	ST	
	Item text1: / 1.025-391.0				
13	6.388-548.0	Hose clip	4.000	ST	
18	6.388-719.0	Hose DN17	1.000	M	TO ORDER AS CUT GOODS
15	5.443-211.0	Hose stem	1.000	ST	
7	5.443-285.0	Hose stem	1.000	ST	
21	5.443-291.0	Hose stem	1.000	ST	
4	5.481-118.0	Lever	1.000	ST	
17	5.427-154.0	Manifold	1.000	ST	
8	5.310-062.0	Nut	2.000	ST	
19	5.310-076.0	Nut	1.000	ST	
6	6.362-078.0	O-Ring seal 13,3x2,4	2.000	ST	
22	6.362-161.0	O-Ring seal 19,3 X 2,4	1.000	ST	
14	6.392-256.0	Piece of tube 19x4x430	1.000	ST	
2	7.303-104.0	Screw 5x16 -A2-70 (IN6RD)	1.000	ST	
16	7.303-112.0	Screw 6x20 -10.9-R2R (In6Rd)	1.000	ST	
20	6.414-141.0	Strainer	1.000	ST	
12	5.070-140.0	Tank	1.000	ST	
	Item text1: / 1.025-341.0 / -342.0 / -343.0				
	Item text2: / -361.0 / -362.0 / -392.0				
12	5.070-140.0	Tank	1.000	ST	
	Item text1: / 1.025-391.0				
5	5.587-147.0	Valve housing	1.000	ST	
11	5.584-085.0	Valve pin	1.000	ST	
3	7.312-282.0	Washer 5 -A2 ISO 7093-1	1.000	ST	



POS	Article no.	Description	Quantity	Unit
2	5.063-507.0	Cover	1.000	ST
1	5.063-487.0	Cover	1.000	ST
6	5.332-001.0	Helical spring	1.000	ST
4	6.362-113.0	O-Ring seal 6,0 x 2,0 NBR 70	1.000	ST
5	6.685-845.0	Solenoid valve	1.000	ST
3	4.070-188.0	WATER SOFTNER TANK	1.000	ST

90 Safety system

POS	Description	Quantity	Unit	Remark
92	Safety system	1.000	ST	VERSION 2
91	Safety system	1.000	ST	VERSION 1

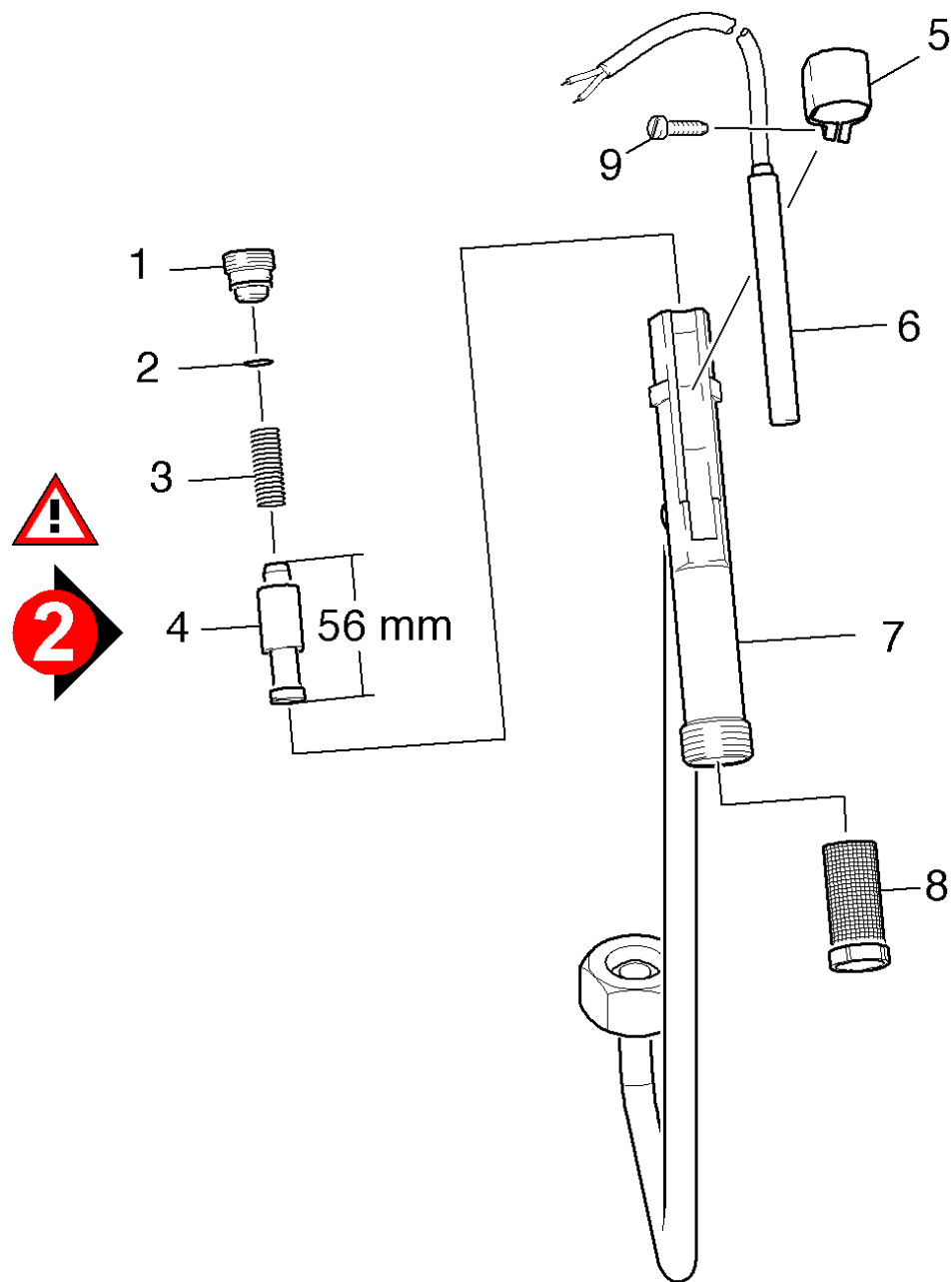


91 Safety system

POS	Article no.	Description	Quantity	Unit
5	5.041-076.0	Clamp	1.000	ST
3	5.332-057.0	Helical spring	1.000	ST
9	6.303-122.0	M4 .2X13 DIN 7981 TORX T15 PAN HD HI/LO	1.000	ST
7	4.427-202.0	Manifold	1.000	ST
2	6.362-482.0	O-Ring seal 10 x 1,5-NBR 70	1.000	ST
4	4.553-022.0	Piston	1.000	ST
6	2.880-194.0	Reed switch replacement	1.000	ST
1	5.305-162.0	Shaped screw	1.000	ST
8	6.414-566.0	Strainer WMS	1.000	ST

6 Reed switch replacement (2.880-194.0)

POS	Article no.	Description	Quantity	Unit
10	6.631-105.0	Reed switch	1.000	ST



92 Safety system

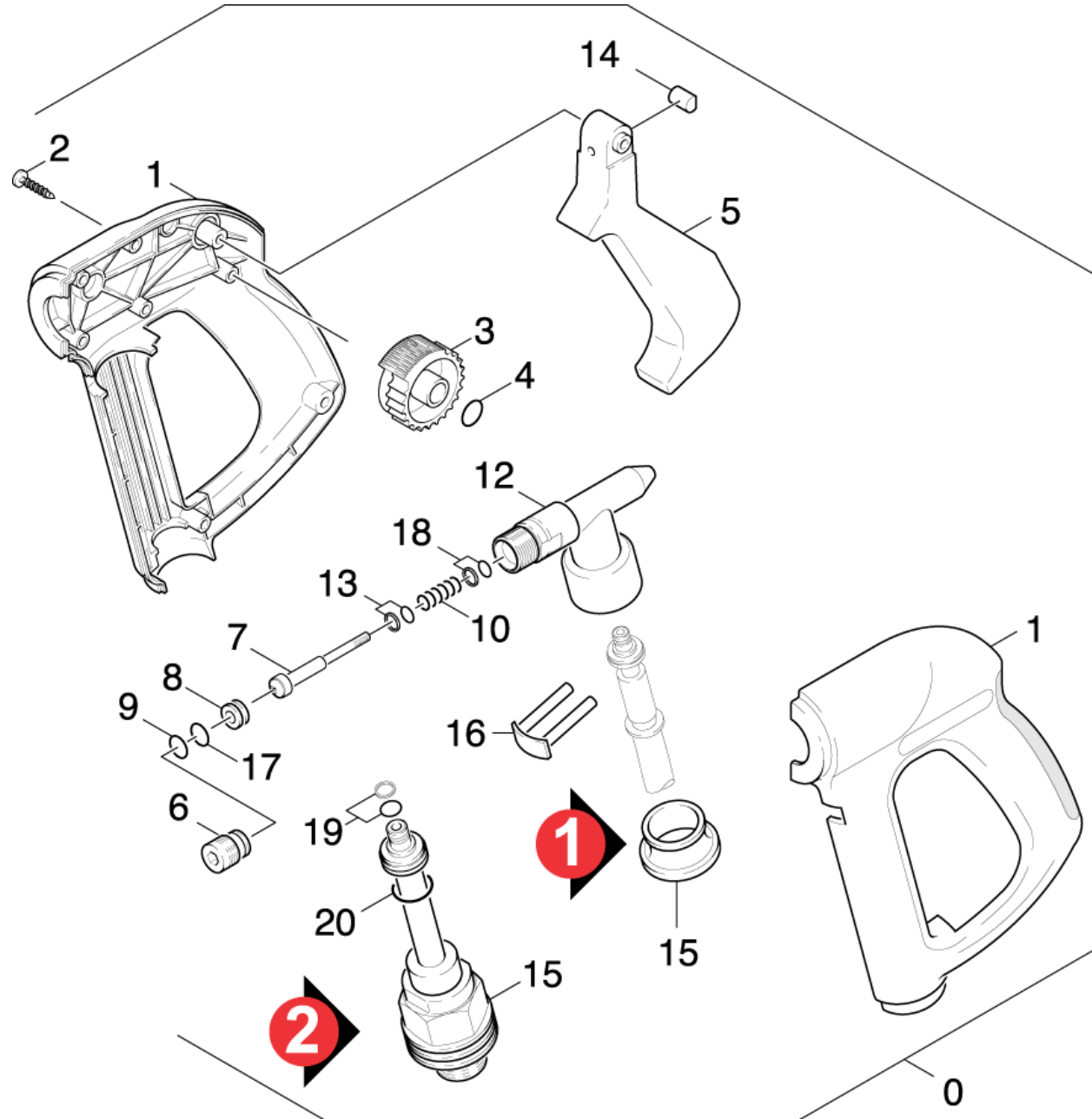
POS	Article no.	Description	Quantity	Unit
4	4.551-058.0	Cartridge protection against water short	1.000	ST
5	5.041-076.0	Clamp	1.000	ST
3	5.332-057.0	Helical spring	1.000	ST
9	6.303-122.0	M4 .2X13 DIN 7981 TORX T15 PAN HD HI/LO	1.000	ST
7	4.427-335.0	Manifold	1.000	ST
2	6.362-482.0	O-Ring seal 10 x 1,5-NBR 70	1.000	ST
6	2.880-194.0	Reed switch replacement	1.000	ST
1	5.305-162.0	Shaped screw	1.000	ST
8	6.414-566.0	Strainer WMS	1.000	ST

6 Reed switch replacement (2.880-194.0)

POS	Article no.	Description	Quantity	Unit
10	6.631-105.0	Reed switch	1.000	ST

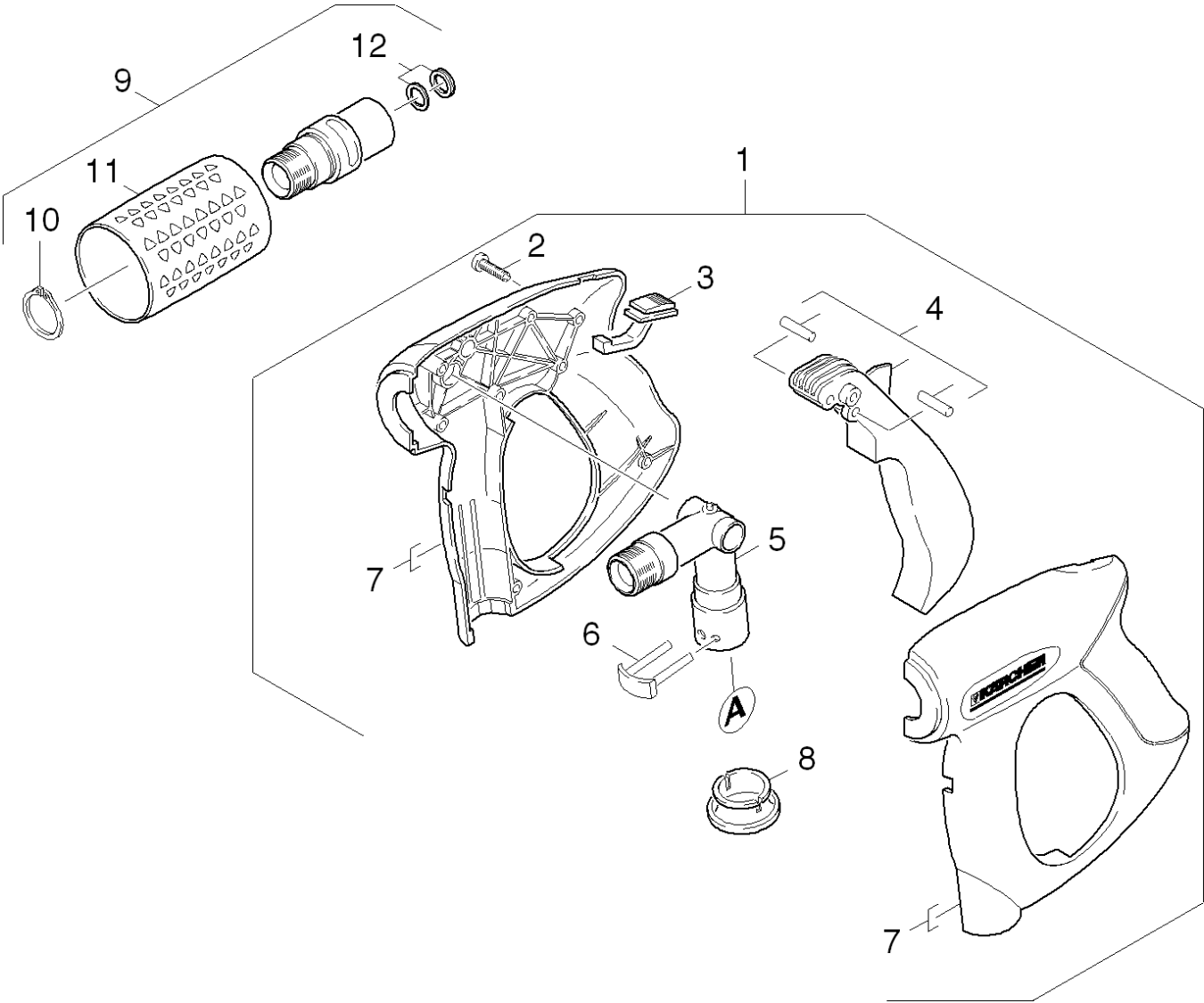
100 Accessories

POS	Description	Quantity	Unit	Remark
102	Hand trigger gun	1.000	ST	VERSION 2
101	Hand trigger gun	1.000	ST	VERSION 1
103	High pressure hose	1.000	ST	
106	Hose reel	1.000	ST	
105	Jet pipe	1.000	ST	VERSION 2
104	Jet pipe	1.000	ST	VERSION 1



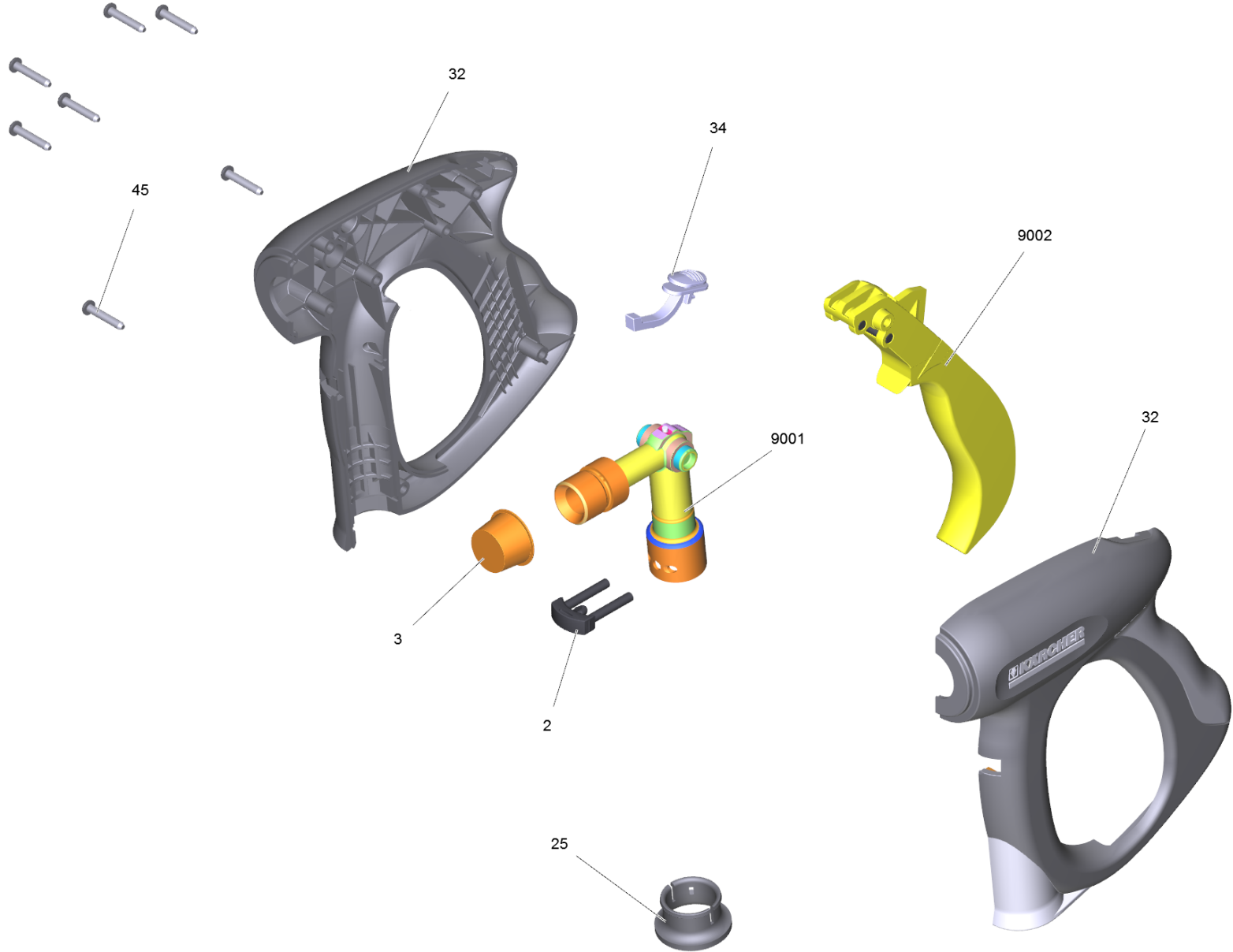
101 Hand trigger gun

POS	Article no.	Description	Quantity	Unit	Remark
15	4.421-275.3	Adapter pipelines	1.000	ST	VERSION 2
	Item text1: / 1.025-392.0				
14	5.316-400.0	Bolt	1.000	ST	
1	5.321-534.0	Handhold few	1.000	ST	
3	5.322-012.0	Hand wheel	1.000	ST	
10	5.332-413.0	Helical spring	1.000	ST	
6	5.404-080.0	Hollow screw	1.000	ST	
16	4.037-013.0	Hook	1.000	ST	
5	5.481-178.0	Lever	1.000	ST	
12	5.427-214.0	Manifold	1.000	ST	
4	6.362-642.0	O-Ring d. 7,65x1,78 -NBR 80	1.000	ST	
20	6.362-486.0	O-Ring seal 4,7 X 1,9 -NBR 70	1.000	ST	
9	6.362-182.0	O-Ring seal 7,65x1,78 - NBR 90	1.000	ST	
17	6.362-503.0	O-Ring seal 8,0 X 1,0	1.000	ST	
13	6.362-964.0	O-Ring seal complete	1.000	ST	
18	6.362-992.0	O-Ring seal complete 2,6X1,9	1.000	ST	
19	4.363-691.0	O-Ring seal kpl. -nur fuer Ersatz-	1.000	ST	
7	5.553-348.0	Piston	1.000	ST	
2	7.303-096.0	Screw 4x22 -ST-10.9-R2R (IN6RD)	8.000	ST	
15	5.110-596.0	Sleeve	1.000	ST	VERSION 1
	Item text1: / 1.025-341.0 / -342.0 / -343.0				
	Item text2: / -361.0 / -362.0 / -391.0				
100	2.883-917.0	Spare part set	1.000	ST	
0	7.777-999.0	Stockpiling discontinued	1.000	ST	
8	5.581-243.0	Valve seat	1.000	ST	



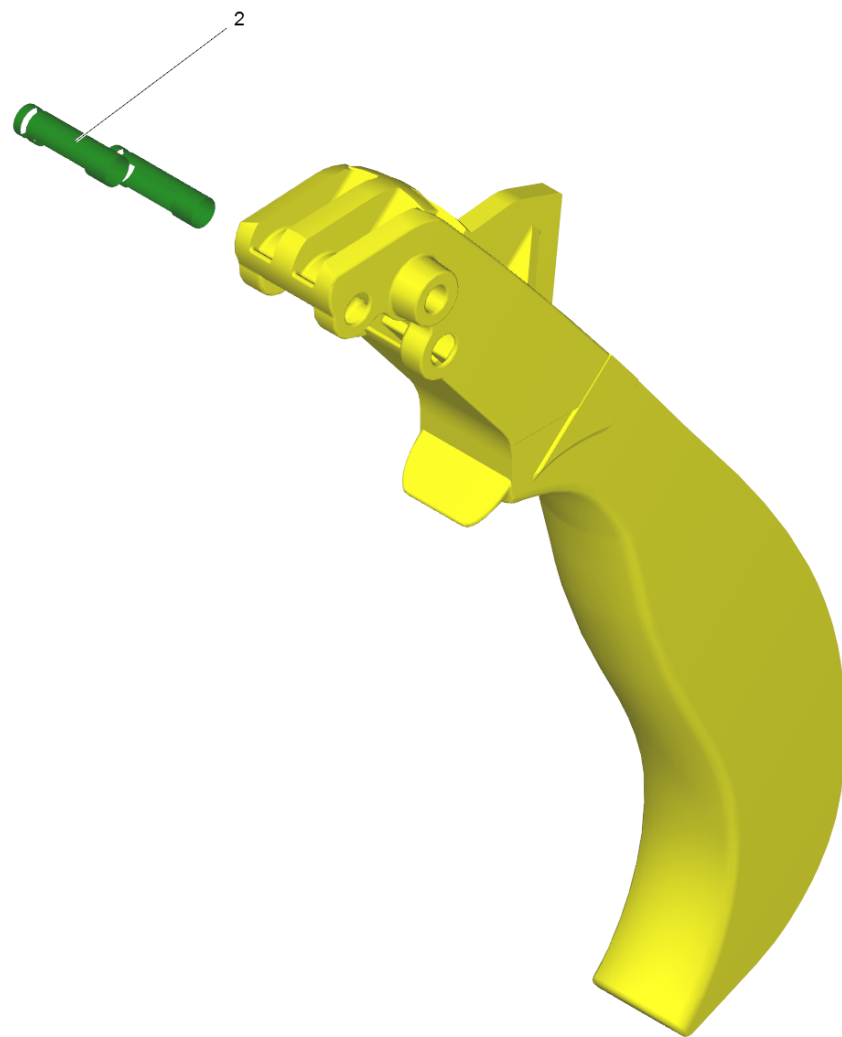
102 Hand trigger gun

POS	Article no.	Description	Quantity	Unit
12	4.363-695.0	Grooved ring only for replacement	1.000	ST
7	5.321-669.3	Handhold few	1.000	ST
11	5.321-668.0	Handle	1.000	ST
1	4.775-463.0	HAND TRIGGER GUN EASY PRESS	1.000	ST
6	4.037-013.0	Hook	1.000	ST
4	4.481-209.0	Lever complete	1.000	ST
10	7.343-008.0	Locking ring 25x1,2-St-vz DIN 471	1.000	ST
5	4.427-215.0	Manifold complete only for replacement	1.000	ST
9	4.775-470.0	Rotary controller 416L	1.000	ST
2	7.303-096.0	Screw 4x22 -ST-10.9-R2R (IN6RD)	7.000	ST
8	5.110-596.0	Sleeve	1.000	ST
3	5.481-331.0	Slider	1.000	ST



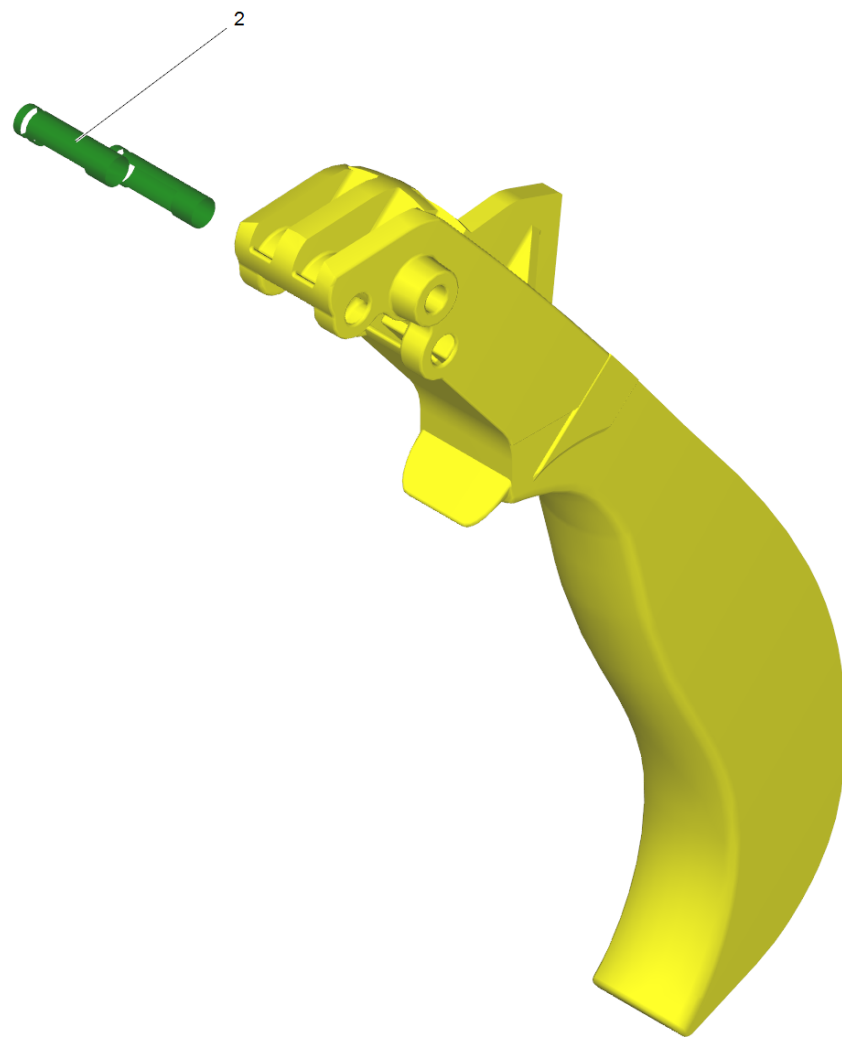
1 HAND TRIGGER GUN EASY PRESS (4.775-463.0)

POS	Article no.	Description	Quantity	Unit
32	5.321-669.3	Handhold few	1.000	ST
2	4.037-013.0	Hook	1.000	ST
9002	4.481-209.0	Lever complete	1.000	ST
9001	4.427-215.0	Manifold complete only for replacement	1.000	ST
4	6.869-075.0	Metal bonding agent 1,5 ml	1.000	ST
3	6.368-012.0	Protecting cap 22X1,5	1.000	ST
45	7.303-096.0	Screw 4x22 -ST-10.9-R2R (IN6RD)	7.000	ST
1041	6.288-044.0	Silicon grease 100 G	1.000	ST
25	5.110-596.0	Sleeve	1.000	ST
34	5.481-331.0	Slider	1.000	ST



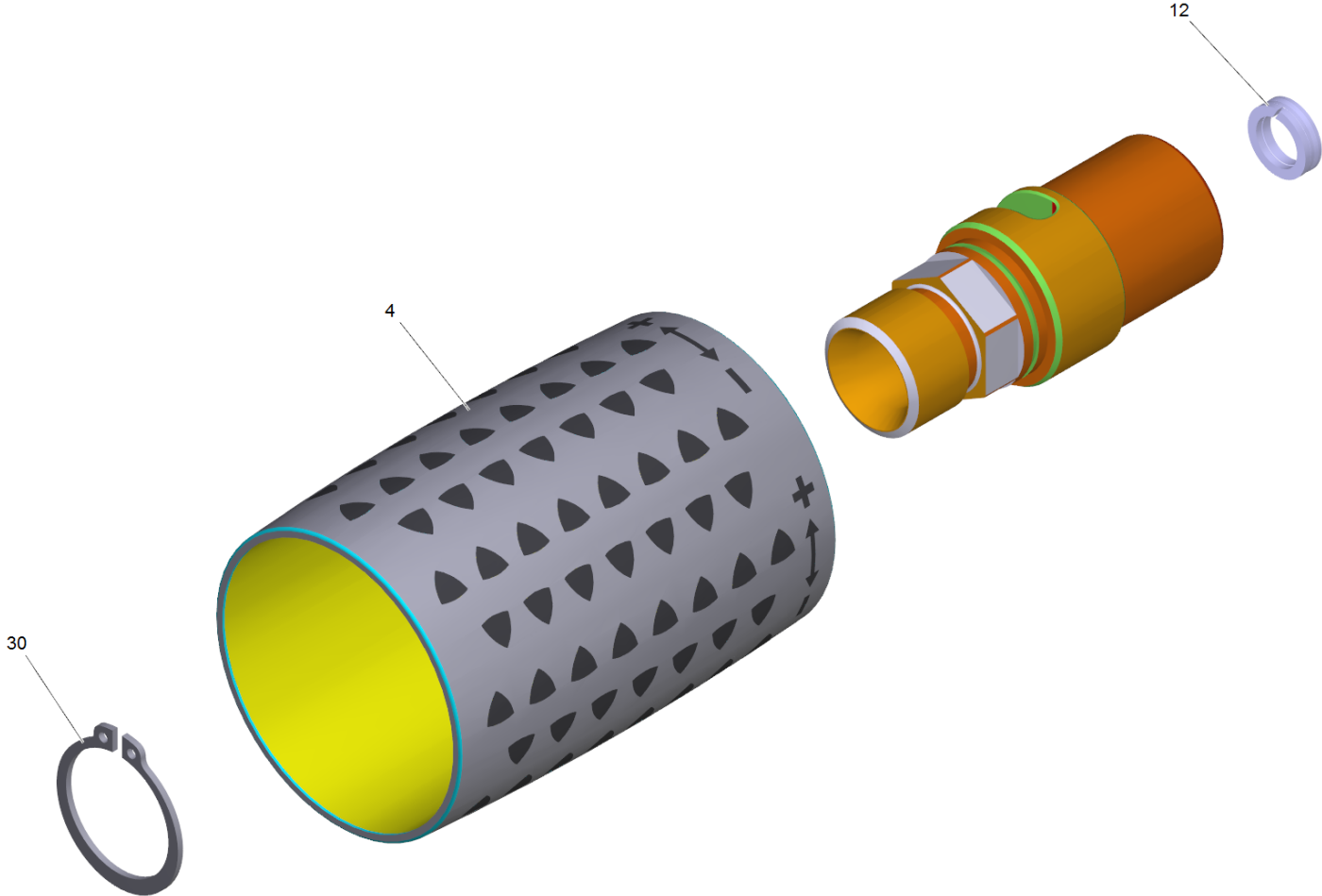
9002 Lever complete (4.481-209.0)

POS	Article no.	Description	Quantity	Unit
2	5.314-119.0	Pin	2.000	ST



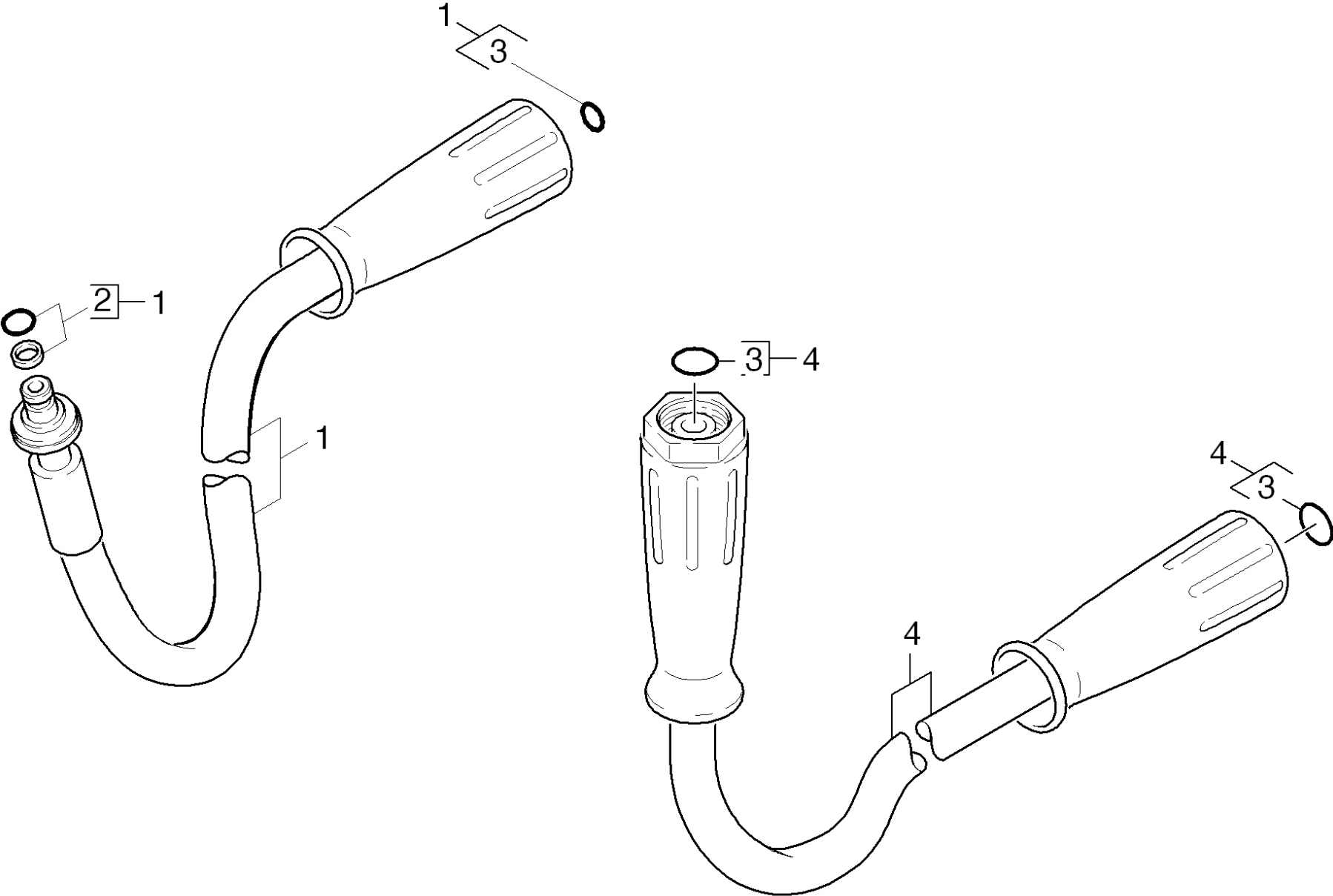
4 Lever complete (4.481-209.0)

POS	Article no.	Description	Quantity	Unit
2	5.314-119.0	Pin	2.000	ST



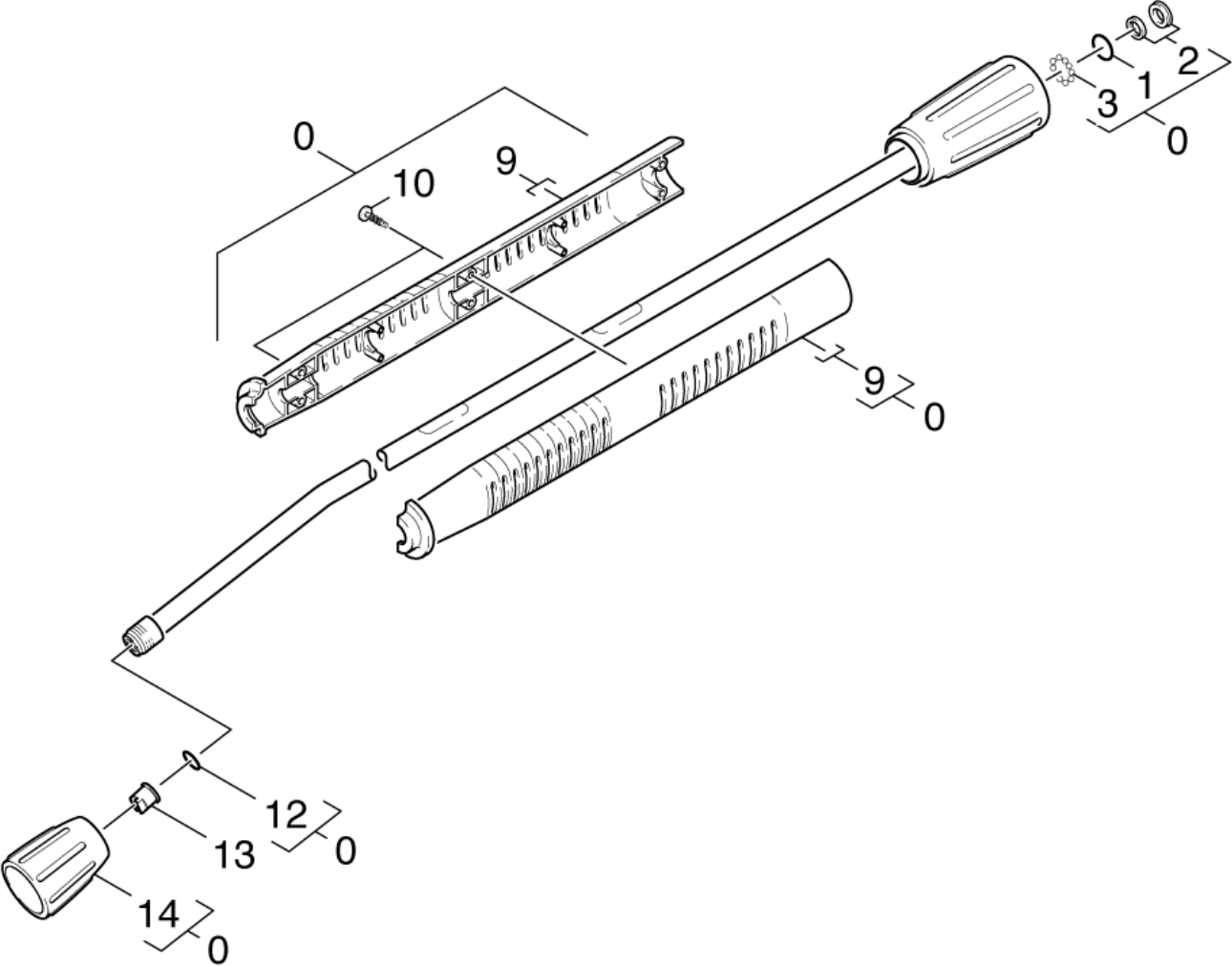
9 Rotary controller 416L (4.775-470.0)

POS	Article no.	Description	Quantity	Unit
12	4.363-695.0	Grooved ring only for replacement	1.000	ST
4	5.321-668.0	Handle	1.000	ST
30	7.343-069.0	Locking ring 25x1,2-1.4122 DIN 471	1.000	ST



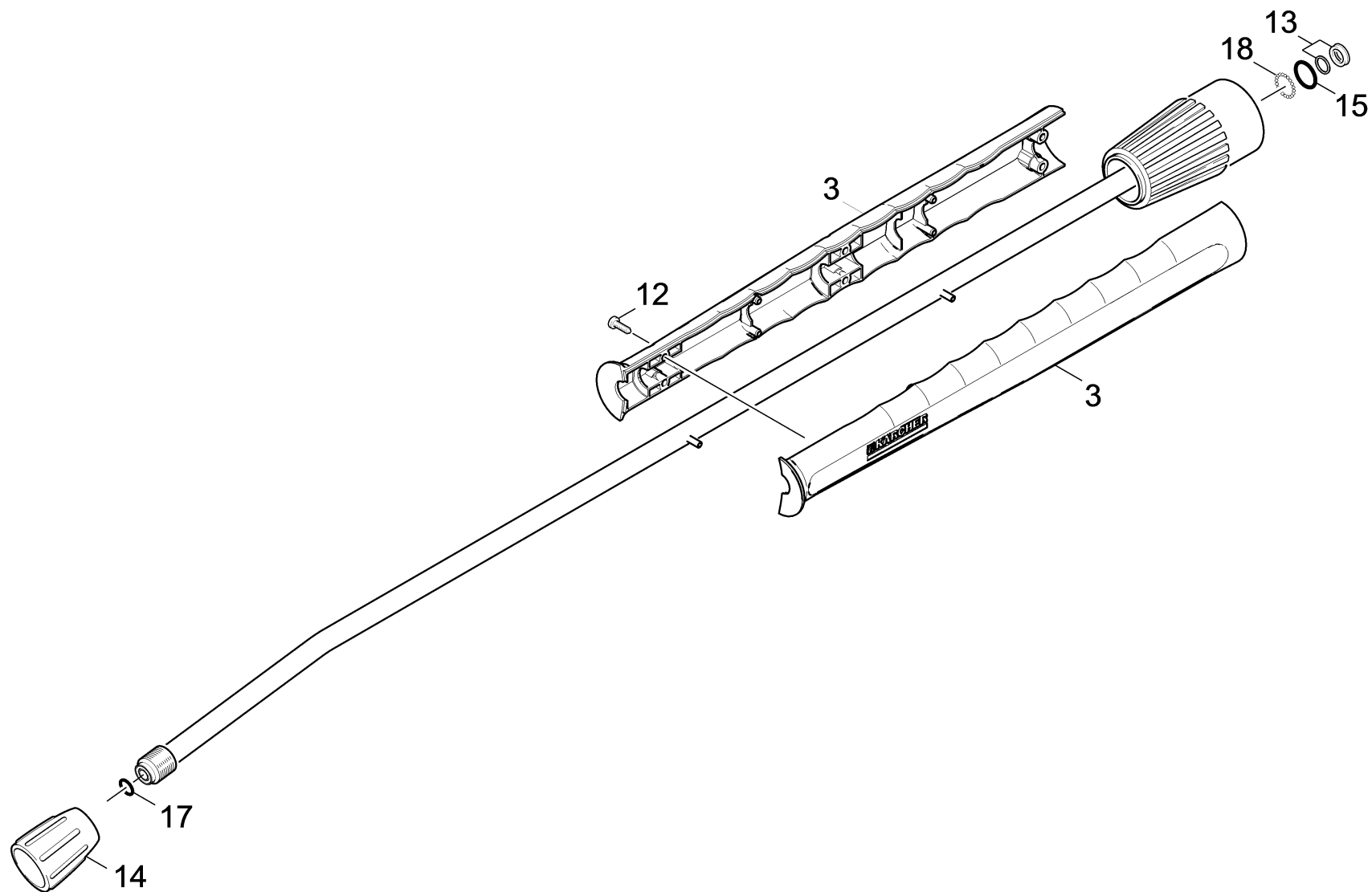
103 High pressure hose

POS	Article no.	Description	Quantity	Unit	Remark
1	6.390-208.0	Hose assembly DN8 40MPa 20m	1.000	ST	- 20 m -
1	6.391-351.0	Hose assembly only for replacement DN8 4	1.000	ST	- 10 m -
4	6.391-354.0	Hose assembly only for replacement DN8 4	1.000	ST	
Item text1: / 1.025-392.0					
2	4.363-691.0	O-Ring seal kpl. -nur fuer Ersatz-	1.000	ST	
3	2.880-990.0	Spare part set O-Ring 5x -Kaercher	1.000	ST	



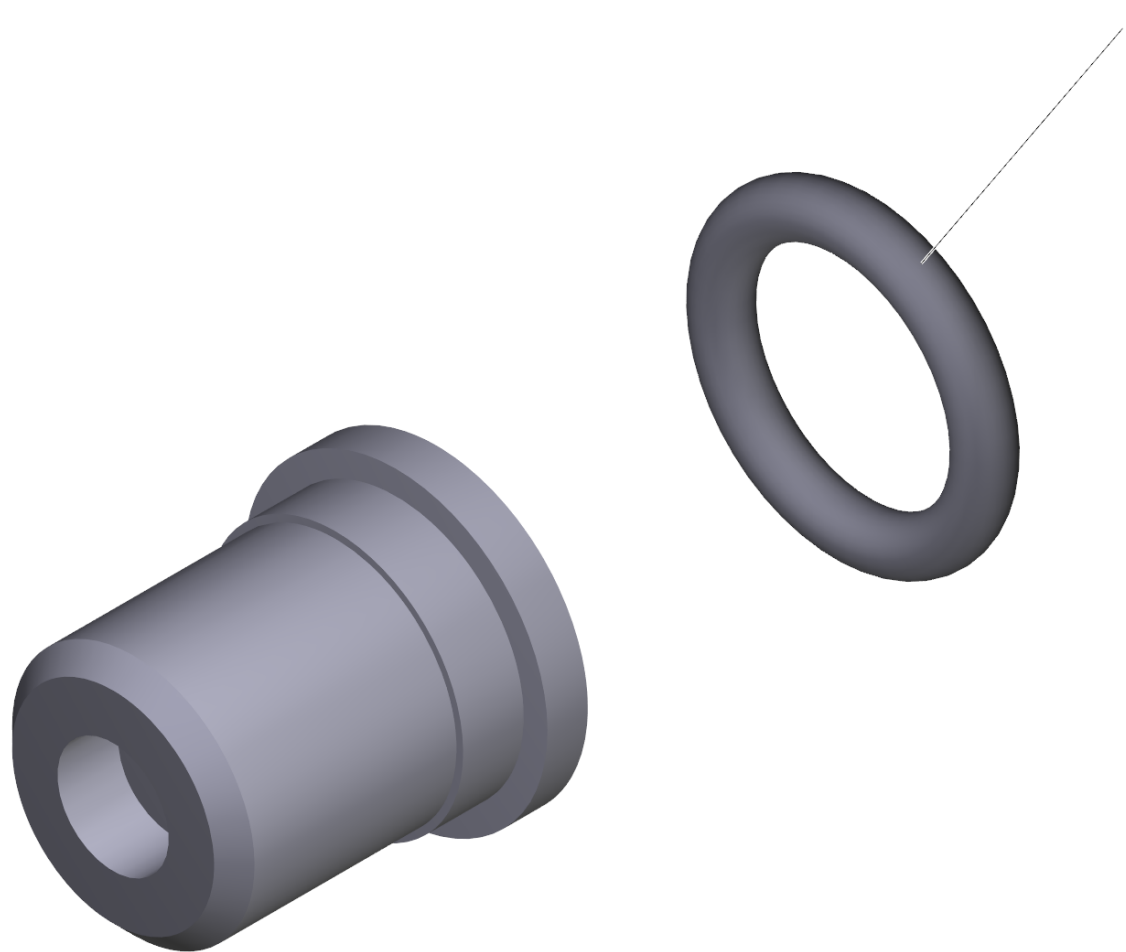
104 Jet pipe

POS	Article no.	Description	Quantity	Unit
2	4.363-692.0	Grooved ring kpl. -nur fuer Ersatz-	1.000	ST
9	5.321-691.0	Handhold few jet pipe	1.000	ST
0	4.760-660.0	Jet pipe packaged only for replacement	1.000	ST
12	2.880-154.0	O-Ring kit	1.000	ST
1	6.362-524.0	O-Ring seal 17,0 X 1,5	1.000	ST
10	6.303-199.0	Oval head screw 4,2x 16	6.000	ST
13	2.883-399.0	Power nozzle 25050	1.000	ST
14	5.401-129.0	Screw connector part	1.000	ST
3	7.401-915.0	Sphere 2,5 G20 -1.4034 DIN 5401	20.000	ST



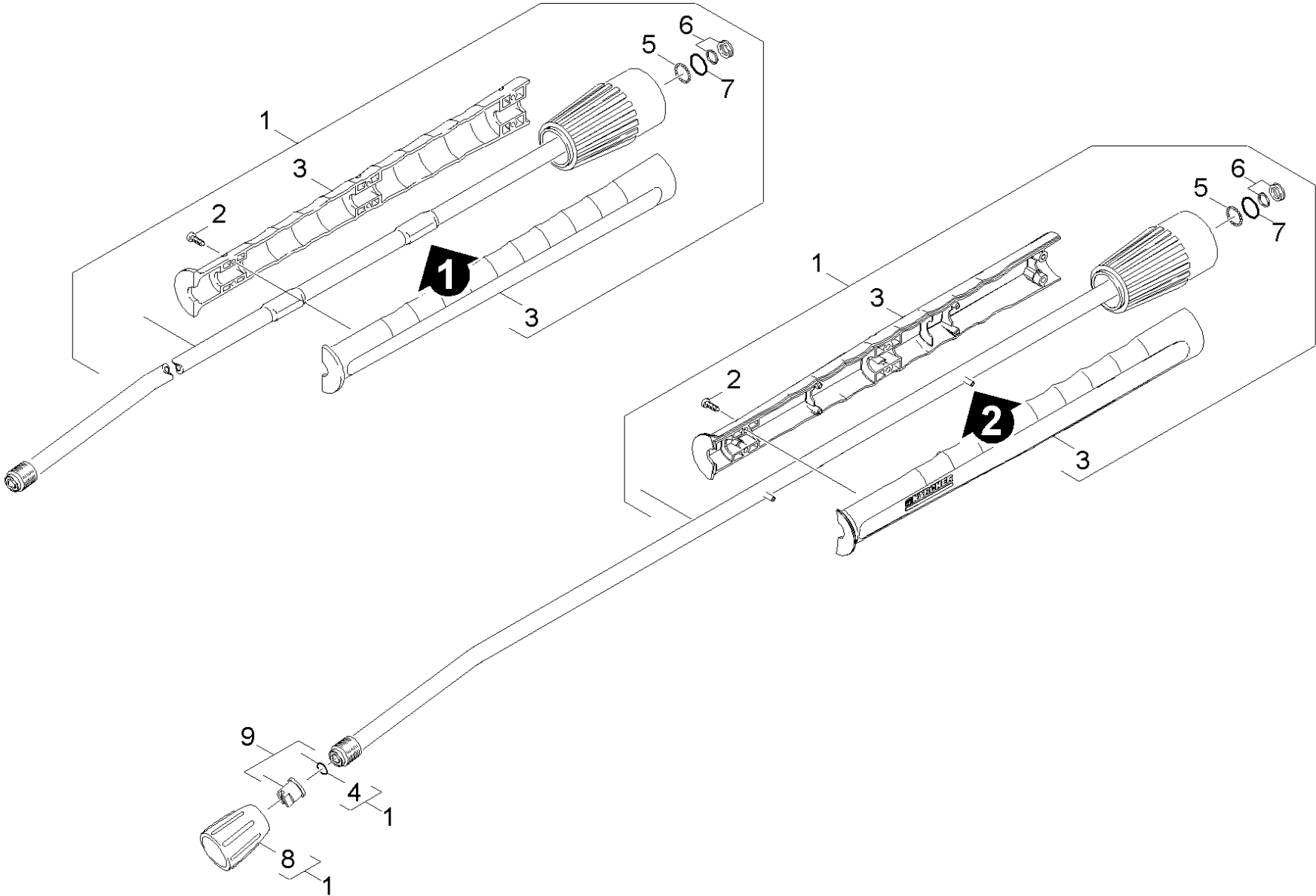
Jet pipe packaged only for replacement (4.760-660.0)

POS	Article no.	Description	Quantity	Unit
13	4.363-692.0	Grooved ring kpl. -nur fuer Ersatz-	1.000	ST
3	5.321-855.0	Handhold few jet pipe with welding bolt	1.000	ST
15	6.362-524.0	O-Ring seal 17,0 X 1,5	1.000	ST
12	7.303-129.0	Screw 4x16 -10.9-R2R (K-In6Rd)	6.000	ST
14	5.401-210.0	Screw connector part	1.000	ST
17	2.880-990.0	Spare part set O-Ring 5x -Kaercher	1.000	ST
18	7.401-915.0	Sphere 2,5 G20 -1.4034 DIN 5401	1.000	ST



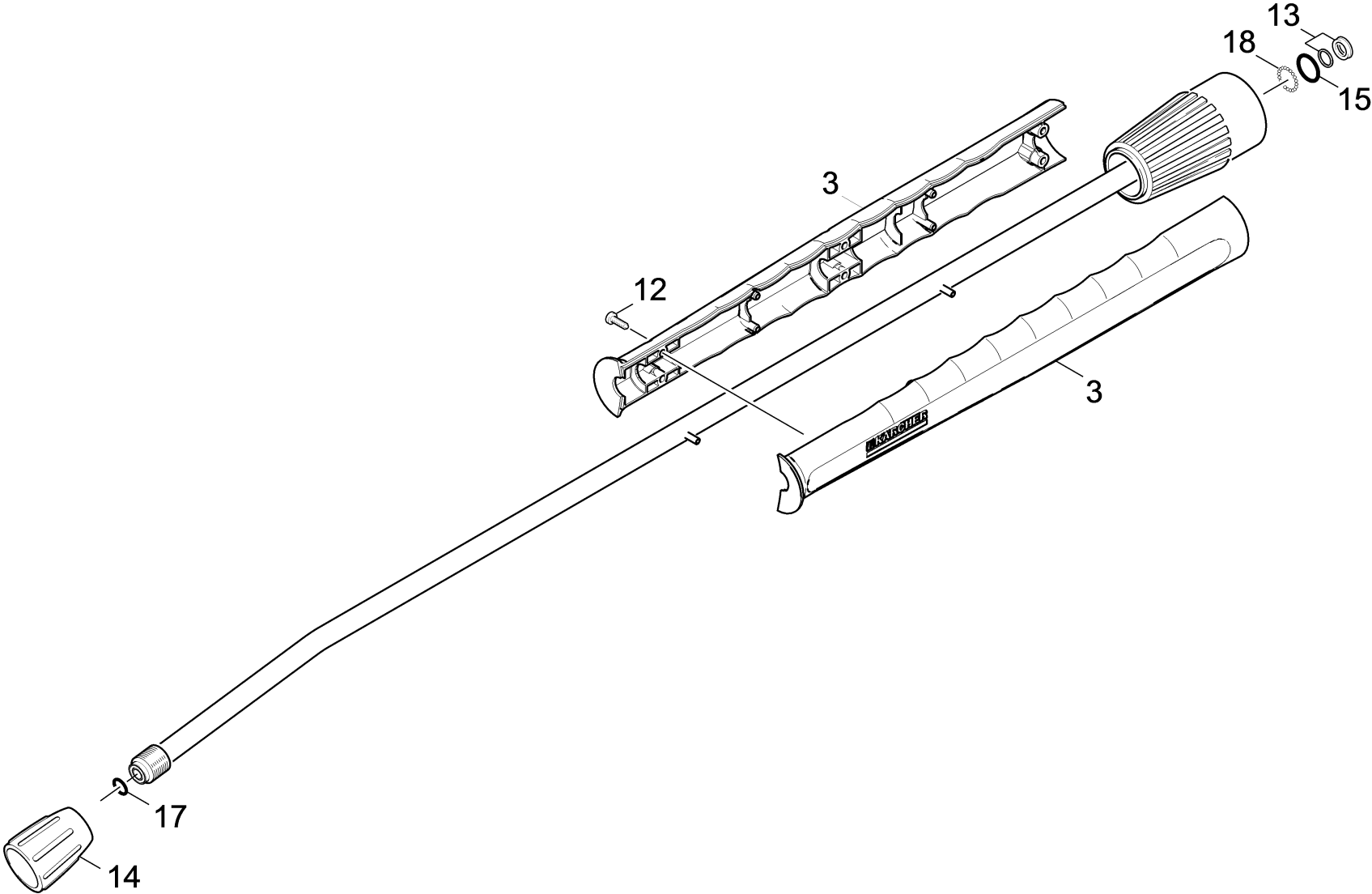
13 Power nozzle 25050 (2.883-399.0)

POS	Article no.	Description	Quantity	Unit
1	7.362-501.0	O-Ring seal 10x2 EPDM 70 DIN 3770	1.000	ST



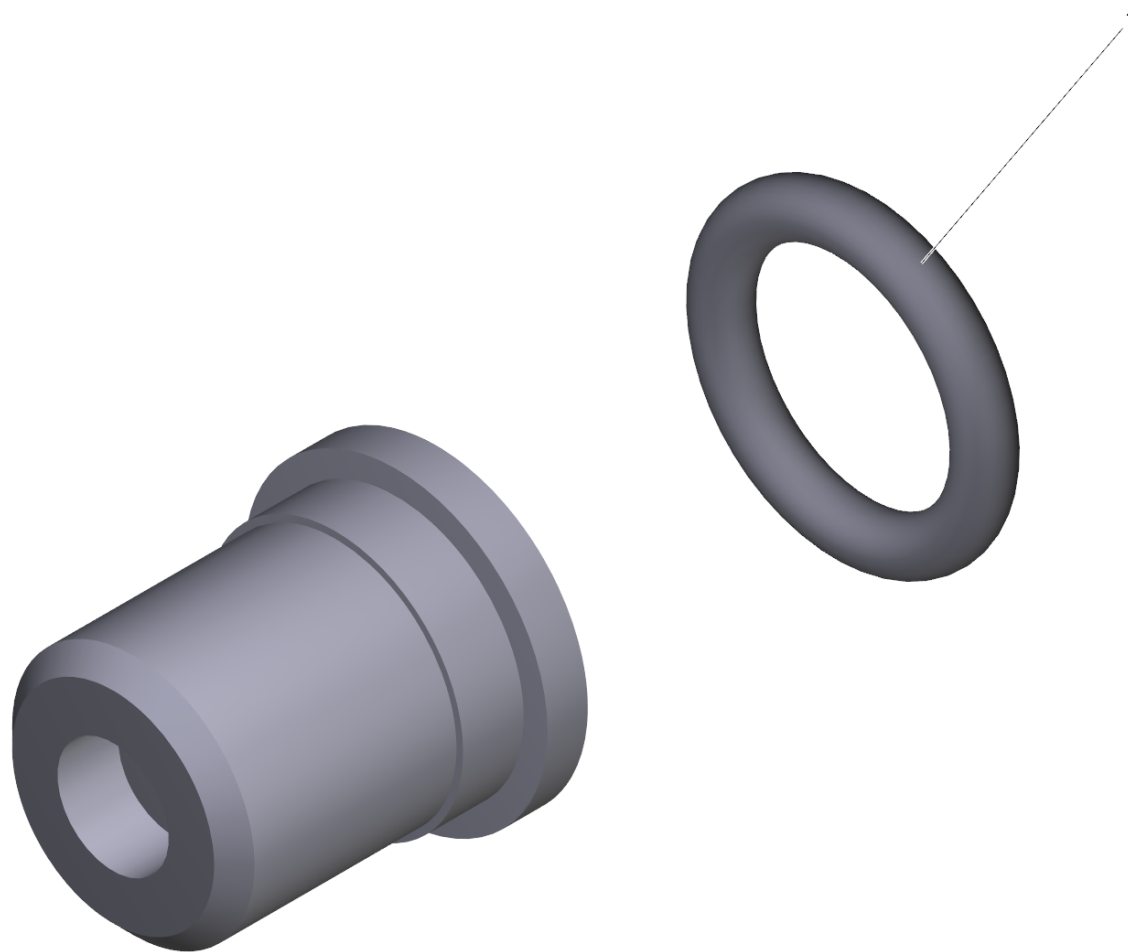
105 Jet pipe

POS	Article no.	Description	Quantity	Unit	Remark
6	4.363-692.0	Grooved ring kpl. -nur fuer Ersatz-	1.000	ST	
3	5.321-691.0	Handhold few jet pipe	1.000	ST	VERSION 1
3	5.321-855.0	Handhold few jet pipe with welding bolt	1.000	ST	VERSION 2
1	4.760-660.0	Jet pipe packaged only for replacement	1.000	ST	
7	6.362-524.0	O-Ring seal 17,0 X 1,5	1.000	ST	
9	2.883-399.0	Power nozzle 25050	1.000	ST	
2	7.303-129.0	Screw 4x16 -10.9-R2R (K-In6Rd)	6.000	ST	
8	5.401-129.0	Screw connector part	1.000	ST	
4	2.880-990.0	Spare part set O-Ring 5x -Kaercher	1.000	ST	
5	7.401-915.0	Sphere 2,5 G20 -1.4034 DIN 5401	20.000	ST	



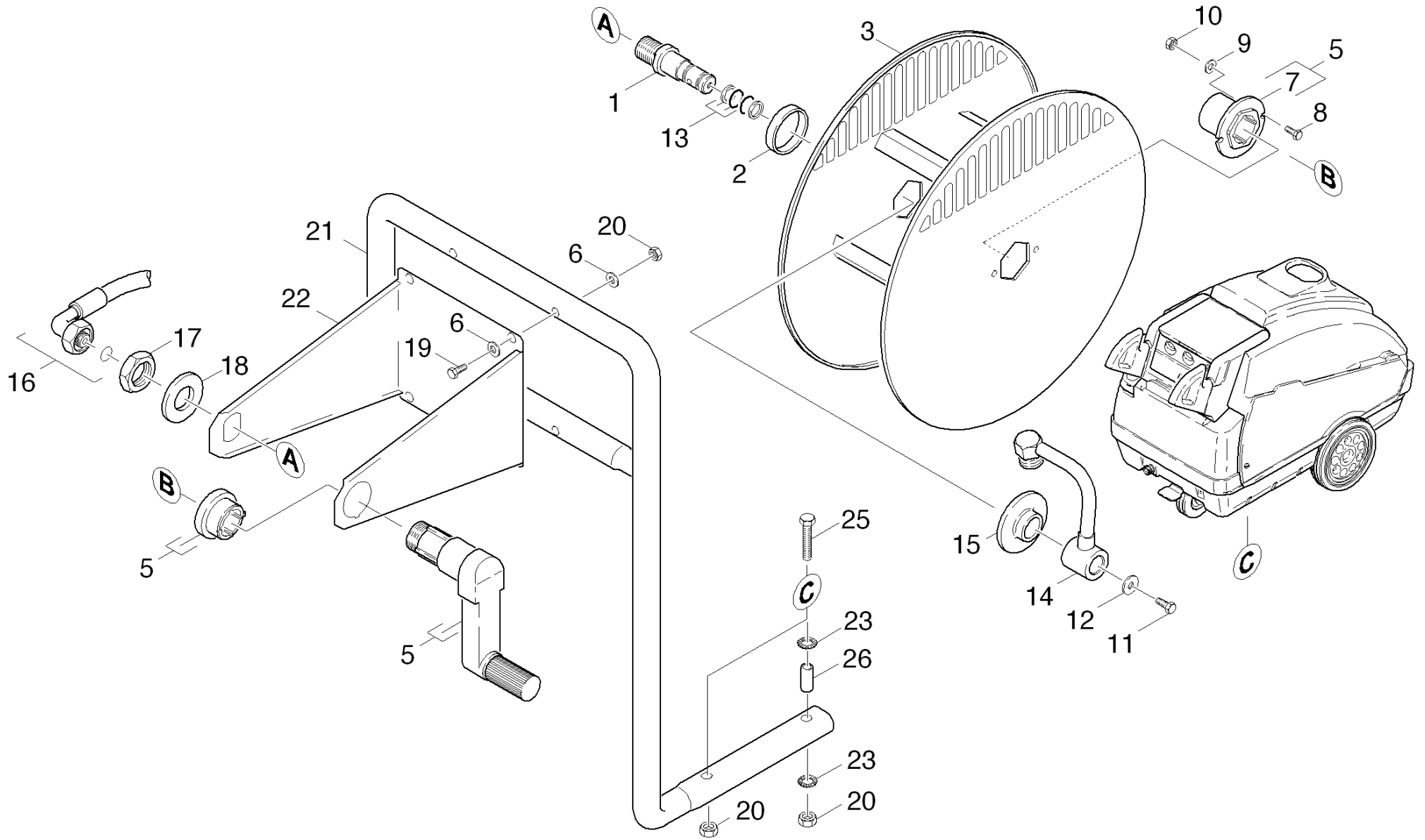
1 Jet pipe packaged only for replacement (4.760-660.0)

POS	Article no.	Description	Quantity	Unit
13	4.363-692.0	Grooved ring kpl. -nur fuer Ersatz-	1.000	ST
3	5.321-855.0	Handhold few jet pipe with welding bolt	1.000	ST
15	6.362-524.0	O-Ring seal 17,0 X 1,5	1.000	ST
12	7.303-129.0	Screw 4x16 -10.9-R2R (K-In6Rd)	6.000	ST
14	5.401-210.0	Screw connector part	1.000	ST
17	2.880-990.0	Spare part set O-Ring 5x -Kaercher	1.000	ST
18	7.401-915.0	Sphere 2,5 G20 -1.4034 DIN 5401	1.000	ST



9 Power nozzle 25050 (2.883-399.0)

POS	Article no.	Description	Quantity	Unit
1	7.362-501.0	O-Ring seal 10x2 EPDM 70 DIN 3770	1.000	ST



106 Hose reel

POS	Article no.	Description	Quantity	Unit
15	5.112-305.0	Bush	1.000	ST
	Item text1: / 1.025-361.0 / -362.0 / -363.0			
7	5.112-304.0	Bush	1.000	ST
	Item text1: / 1.025-361.0 / -362.0 / -363.0			
24	7.306-043.0	Cylinder head screw M8x30 -8.8-A2E ISO	2.000	ST
	Item text1: / 1.025-361.0 / -362.0 / -363.0			
19	7.306-114.0	Cylinder head screw M 8x40-A2-70 ISO 47	4.000	ST
	Item text1: / 1.025-361.0 / -362.0 / -363.0			
11	7.304-540.0	Hexagonal head screw M 6x8-A4-70 ISO 40	1.000	ST
	Item text1: / 1.025-361.0 / -362.0 / -363.0			
25	7.304-401.0	Hexagonal head screw M 8x60-8.8-A2E ISO	4.000	ST
	Item text1: / 1.025-361.0 / -362.0 / -363.0			
10	7.311-001.0	Hexagon nut M4 -8-A2E ISO 4032	2.000	ST
	Item text1: / 1.025-361.0 / -362.0 / -363.0			
20	7.311-004.0	Hexagon nut M8 -8-A3E ISO 4032	8.000	ST
	Item text1: / 1.025-361.0 / -362.0 / -363.0			
17	7.311-155.0	Hexagon nut M22x1,5 -Cu2 DIN 936	1.000	ST
	Item text1: / 1.025-361.0 / -362.0 / -363.0			
21	4.044-034.0	Holder complete	1.000	ST
	Item text1: / 1.025-361.0 / -362.0 / -363.0			
16	6.390-123.0	Hose assembly DN8 40MPa 0,6m	1.000	ST
	Item text1: / 1.025-361.0 / -362.0 / -363.0			
3	4.204-504.0	Hose reel	1.000	ST
	Item text1: / 1.025-361.0 / -362.0 / -363.0			
13	4.363-693.0	O-Ring seal kpl. -nur fuer Ersatz-	2.000	ST
	Item text1: / 1.025-361.0 / -362.0 / -363.0			
1	5.108-098.0	Pin	1.000	ST
	Item text1: / 1.025-361.0 / -362.0 / -363.0			
8	7.306-058.0	Screw M 4X 12- 8.8-R2R K-IN6RD	2.000	ST
	Item text1: / 1.025-361.0 / -362.0 / -363.0			
22	5.046-485.0	Sheet metal component	1.000	ST
	Item text1: / 1.025-361.0 / -362.0 / -363.0			
2	5.110-340.0	Sleeve	1.000	ST

106 Hose reel

POS	Article no.	Description	Quantity	Unit
		Item text1: / 1.025-361.0 / -362.0 / -363.0		
26	5.110-778.0	Sleeve	4.000	ST
		Item text1: / 1.025-361.0 / -362.0 / -363.0		
5	2.884-318.0	Spare part set hose reel	1.000	ST
		Item text1: / 1.025-361.0 / -362.0 / -363.0		
23	7.312-166.0	Toothed lock washer A8,4-FSt-A3E DIN 67	4.000	ST
		Item text1: / 1.025-361.0 / -362.0 / -363.0		
14	4.408-044.0	Tube elbow	1.000	ST
		Item text1: / 1.025-361.0 / -362.0 / -363.0		
9	7.312-001.0	Washer 4 -200HV-A3E ISO 7089	2.000	ST
		Item text1: / 1.025-361.0 / -362.0 / -363.0		
12	7.312-260.0	Washer 6 -100HV-A3E ISO 7094	1.000	ST
		Item text1: / 1.025-361.0 / -362.0 / -363.0		
6	7.312-004.0	Washer 8 -200HV-A3E ISO 7090	8.000	ST
		Item text1: / 1.025-361.0 / -362.0 / -363.0		
18	7.312-024.0	Washer 22-200HV-A3E ISO7090	1.000	ST
		Item text1: / 1.025-361.0 / -362.0 / -363.0		

110 Control panel

POS	Article no.	Description	Quantity	Unit	Foot note text
3	5.841-462.0	Control panel	1.000	ST	
	Item text1: / 1.025-361.0 / -362.0				
3	5.841-462.0	Control panel	1.000	ST	
	Item text1: / 1.025-341.0 / -342.0 / -343.0				
	Item text2: / -391.0 / -392.0				
17	6.414-028.0	Filter	1.000	ST	
21	5.321-633.0	Handhold	2.000	ST	
20	5.321-641.0	Handhold thermostat	1.000	ST	
8	5.332-474.0	Helical spring	1.000	ST	
7	7.304-382.0	Hexagonal head screw M 6x12-8.8-A2E ISO	2.000	ST	
13	6.388-515.0	Hose clip	1.000	ST	
15	6.388-559.0	Hose clip	2.000	ST	
16	6.388-225.0	Hose DN 7	1.000	M	TO ORDER AS CUT GOODS
14	6.388-194.0	Hose DN 7	1.000	M	TO ORDER AS CUT GOODS
11	6.362-386.0	O-Ring seal 5,0 x 1,5-NBR 80	1.000	ST	
10	6.362-712.0	O-Ring seal 25,3 X 2,4	1.000	ST	
18	6.421-170.0	Pressure gauge 0-315 BAR	1.000	ST	
6	6.310-082.0	Putting nut M6	2.000	ST	
1	7.303-038.0	Screw M5x12 -St-P2R (In6Rd)	4.000	ST	
4	7.303-078.0	Sheet metal screw ST4,8X19-ST-P2R (KOMBI	2.000	ST	
5	6.310-034.0	Speed nut	2.000	ST	
22	6.313-014.0	Spring element	1.000	ST	
2	7.312-172.0	Toothed lock washer A5,3-FSt-A3E DIN 67	4.000	ST	
12	5.587-054.0	Valve housing	1.000	ST	
9	5.581-251.0	Valve seat	1.000	ST	