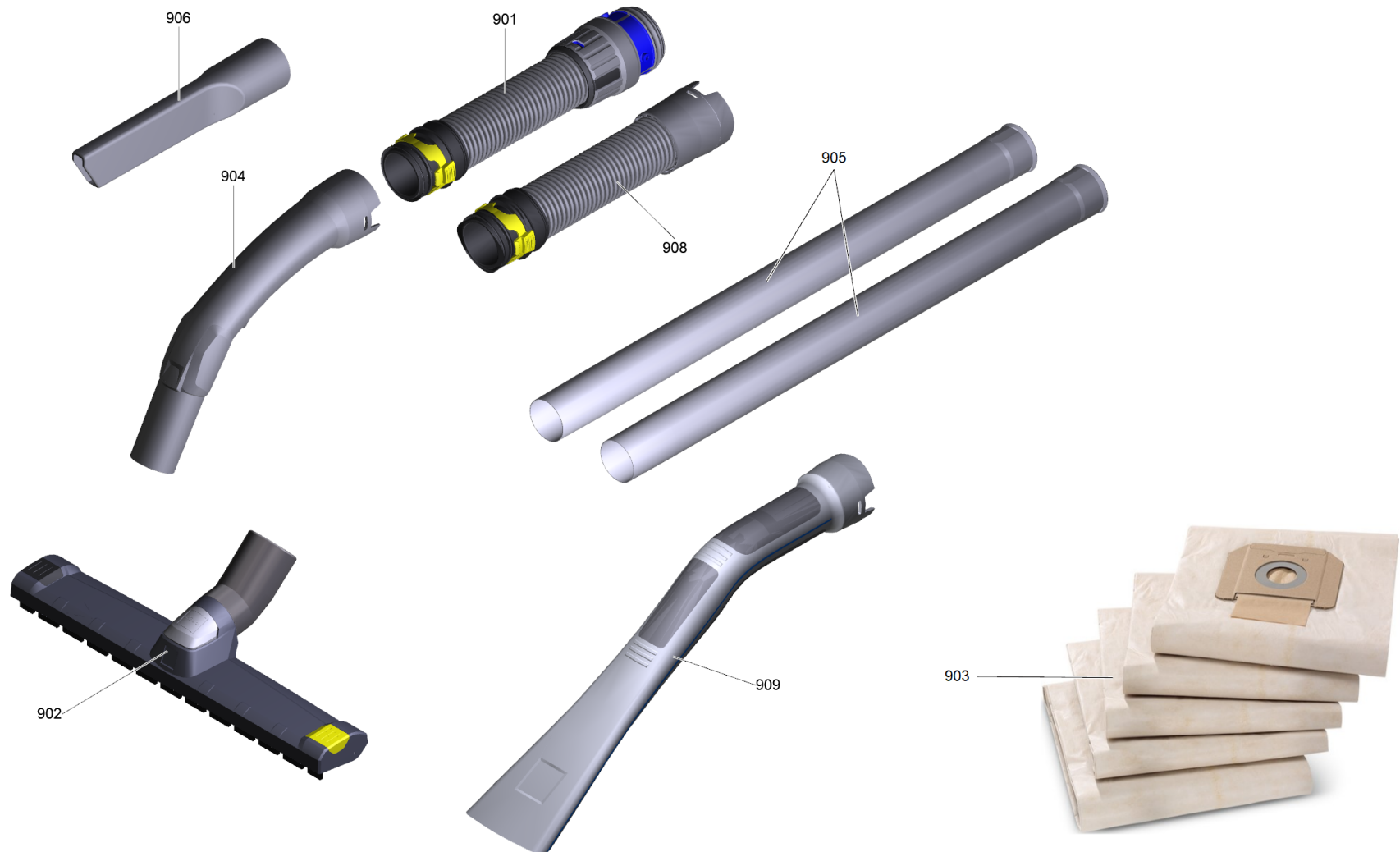


# 50 Accessories

Professional \ Vacuum cleaner \ Wet-/dry vacuum cleaner \ NT 65/2 Ap \*EU \ Spare parts list NT 65/2 Ap \*EU \ Accessories



## 50 Accessories

Professional \ Vacuum cleaner \ Wet-/dry vacuum cleaner \ NT 65/2 Ap \*EU \ Spare parts list NT 65/2 Ap \*EU \ Accessories

**KÄRCHER**

POS	Article no.	Description	Quantity	Unit
909	2.840-095.0	Car nozzle packaged NW 40	1	PC
906	5.130-655.0	Crevice nozzle DN 40 300mm 1:50	1	PC
904	2.889-171.0	Elbow packaged NW40 1K	1	PC
908	2.889-146.0	Extension hose NT DN40 2.5m	1	PC
902	2.889-153.0	Floor tool packaged NW40 360mm	1	PC
903	6.904-285.0	Paper filtering bag 5x NT	1	PC
901	2.889-138.0	Suction hose NT DN40 4m	1	PC
905	2.889-194.0	Suction tube 2x NT DN40 550mm StSt	1	PC