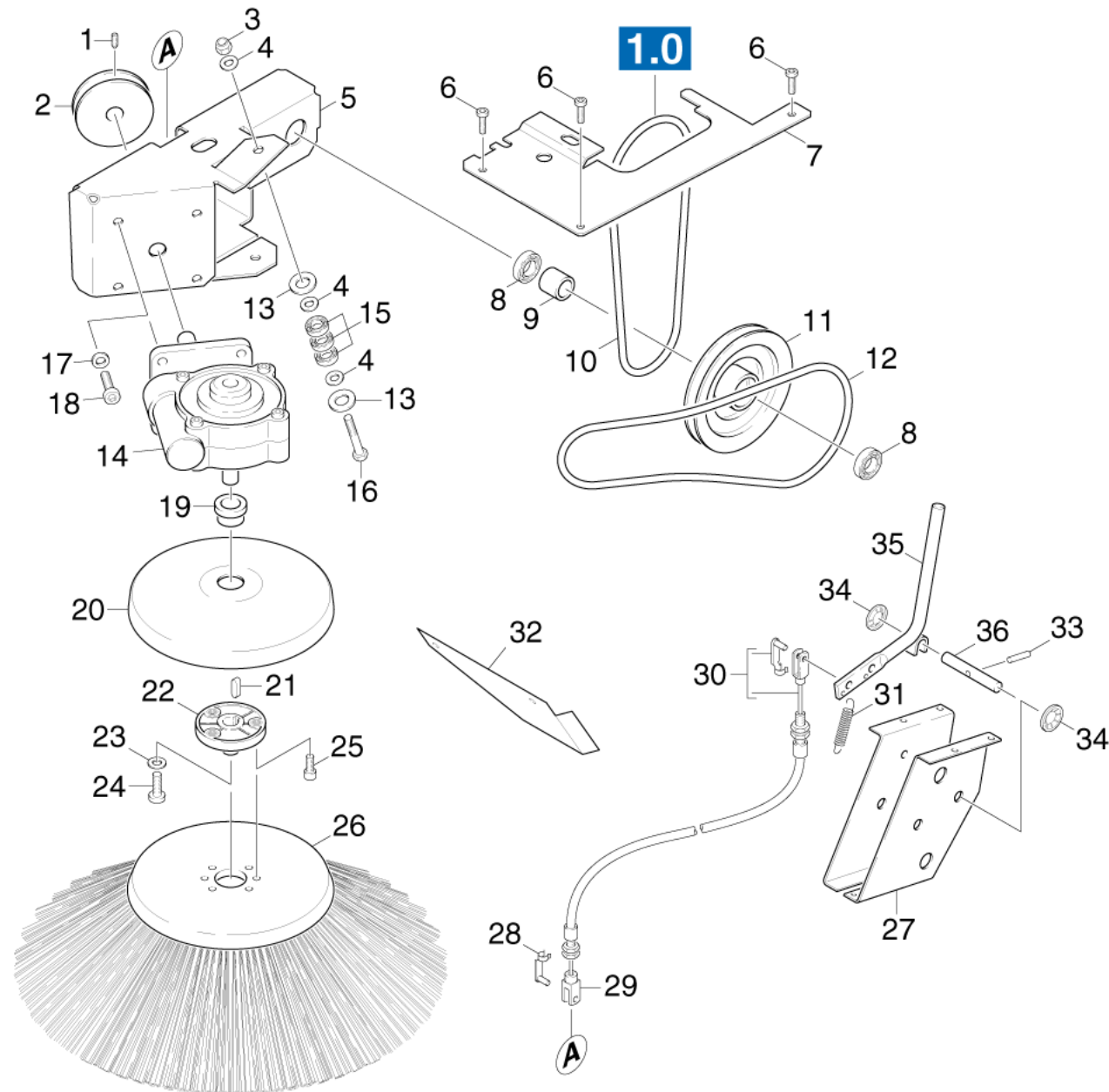


92 Side broom left

Professional \ Sweepers \ Walk behind \ Electric motor \ KM 85/50 W Classic \ Spare parts list KM 85/50 W \ Add-on kit side broom left \ Side broom left



92 Side broom left

Professional \ Sweepers \ Walk behind \ Electric motor \ KM 85/50 W Classic \ Spare parts list KM 85/50 W \ Add-on kit side broom left \ Side broom left



POS	Article no.	Description	Quantity	Unit
1	7.307-504.0	Threaded pin M6x12 -45H-A2E ISO 4027	1	PC
2	5.625-264.0	Belt pulley	1	PC
3	7.311-510.0	Hexagon nut M 8-8-A2E ISO 7040	2	PC
4	7.312-004.0	Washer 8 -200HV-A3E ISO 7089	6	PC
5	4.040-325.0	Sheet metal component complete	1	PC
6	6.303-125.0	Screw 5x20-Sonder In6Rd+Spitze	3	PC
7	5.058-731.0	Sheet metal component	1	PC
8	6.401-363.0	Ball bearing	2	PC
9	5.112-718.0	Spacer sleeve	1	PC
10	6.348-409.0	Round belt	1	PC
11	5.625-284.0	Belt pulley	1	PC
12	6.348-396.0	Round belt D8	1	PC
13	7.312-268.0	Washer 8 -A2 ISO 7094	4	PC
14	6.454-078.0	Worm gearing	1	PC
15	7.401-149.0	Ball bearing 608-2RS -Wälzl.St DIN 625	6	PC
16	7.304-504.0	Hexagonal head screw M8x50-A2-70 ISO 40	2	PC
17	7.312-003.0	Washer 6 -200HV-A3E ISO 7089	4	PC
18	7.306-090.0	Screw M6x16 -8.8-P2R (In6Rd)	4	PC
19	5.110-703.0	Sleeve	1	PC
20	5.064-252.0	Rejecting plate	1	PC
21	7.318-070.0	Parallel key 5x5x20-C45K DIN 6885-1	1	PC
22	5.120-305.0	Hub	1	PC
23	7.312-260.0	Washer 6 -100HV-A3E ISO 7094	1	PC
24	6.303-557.0	Screw 3x12 Kombitorx T8	1	PC
25	7.306-500.0	Cylinder head screw M6x12-8.8-A2E DIN 6	1	PC
26	6.905-626.0	Side broom soft	1	PC
26	6.906-132.0	Side broom standard	1	PC
27	5.058-120.0	Sheet metal component	1	PC
28	6.316-054.0	Bolt	1	PC
29	7.462-013.0	Fork head G8x32 -St-A2E DIN71752	1	PC
30	6.431-273.0	Bowden wire side broom left	1	PC
31	6.330-068.0	Extension spring	1	PC
32	5.058-761.0	Sheet metal component protection right	1	PC

92 Side broom left

Professional \ Sweepers \ Walk behind \ Electric motor \ KM 85/50 W Classic \ Spare parts list KM 85/50 W \ Add-on kit side broom left \ Side broom left



POS	Article no.	Description	Quantity	Unit
33	7.314-944.0	Spring pin 5x24-St ISO 8752	1	PC
34	6.343-149.0	Quick-fastener	2	PC
35	4.040-125.0	Lever	1	PC
36	5.316-323.0	Bolt	1	PC