

Spare parts list

(1.081-121.0) SE 3001 *EU

Table of contents

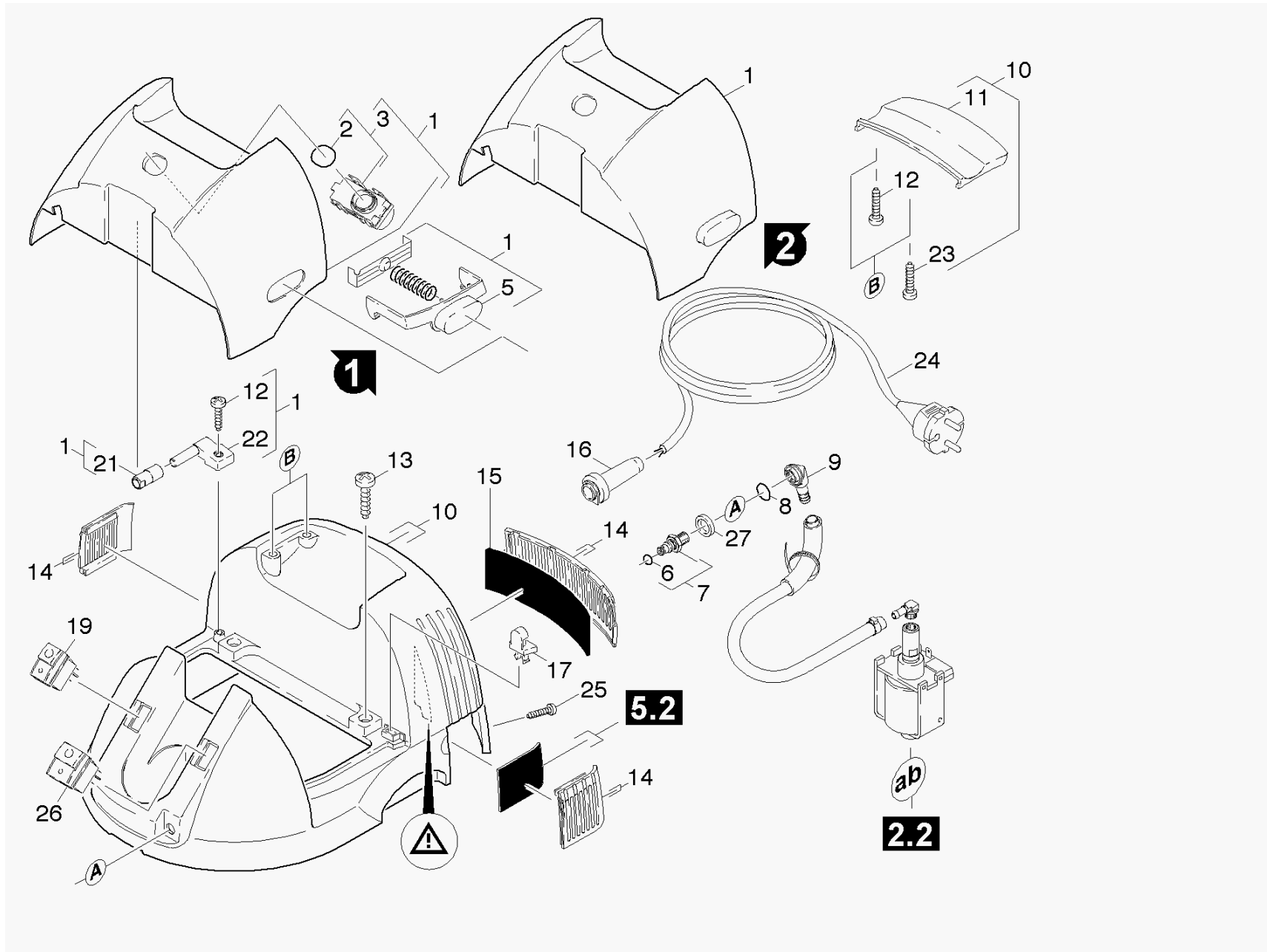
SE 3001 *EU (1.081-121.0)	3
Spare parts list K 3001 / SE 3001 (5.955-893.0)	4
10 Cover individual parts	5
20 Turbine and housing	8
21 Turbine and housing	9
22 Pump spraying	11
30 Filter	14
40 Tank individual parts	16
50 Accessories	18
51 Suction hose EINZ.	19
52 Accessories nozzles	21

SE 3001 *EU (1.081-121.0)

POS	Article no.	Description	Quantity	Unit
0	5.955-893.0	Spare parts list K 3001 / SE 3001	1.000	ST
	Item text2: 10811210			

Spare parts list K 3001 / SE 3001 (5.955-893.0)

POS	Description	Quantity	Unit
50	Accessories	1.000	ST
10	Cover individual parts	1.000	ST
30	Filter	1.000	ST
40	Tank individual parts	1.000	ST
20	Turbine and housing	1.000	ST



10 Cover individual parts

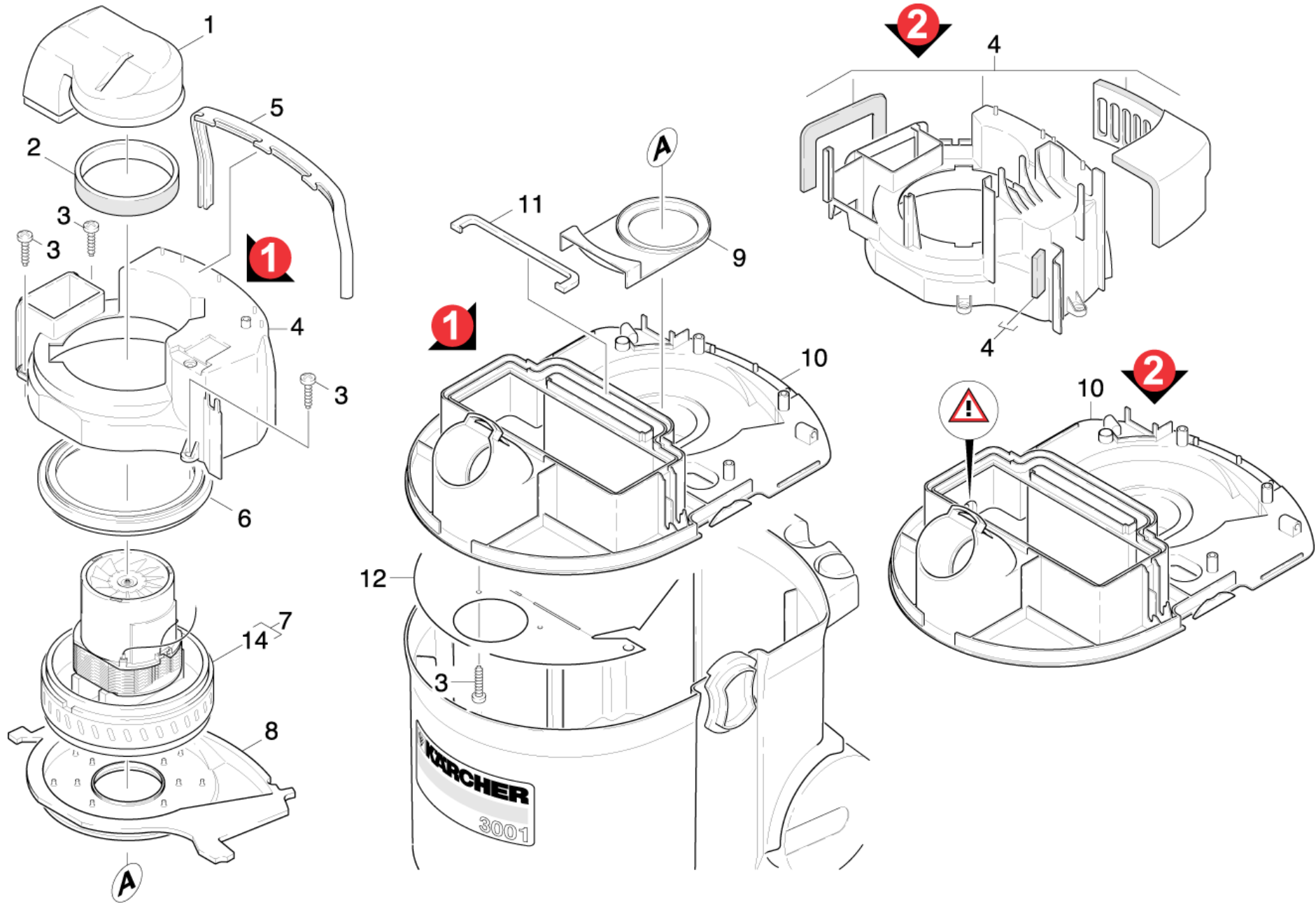
POS	Article no.	Description	Quantity	Unit	Serial number from	Serial number to	Foot note text
24		Cable with plug	1.000	ST			
		Item text1: / 1.081-301.0					
24	6.649-145.0	Cable with plug *AU	1.000	ST			
		Item text1: / 1.081-601.0					
24	6.959-244.0	Cable with plug *CH	1.000	ST			
		Item text1: / 1.081-291.0					
24	6.959-243.0	Cable with plug *EU	1.000	ST			
		Item text1: / 1.081-121.0 /-400.0 / -802.0					
24	6.959-246.0	Cable with plug *GB	1.000	ST			
		Item text1: / 1.081-281.0					
25	7.305-023.0	Countersunk screw M4x16 -4.8-A2E ISO 20	2.000	ST			
10	6.959-233.0	Cover complete	1.000	ST		183895	GREY
10	9.418-309.0	Cover complete	1.000	ST	186896		YELLOW
1	9.418-312.0	Cover complete	1.000	ST		183895	GREY
1	9.418-497.0	Cover complete schwarzer Deckel SE3001-	1.000	ST			BLACK
3	6.959-212.0	Filter pilot complete	1.000	ST			
15	9.439-509.0	Filter sponge	1.000	ST			
17	6.959-216.0	Hook	2.000	ST			
5	6.959-364.0	Locking part black	1.000	ST			
22	9.412-129.0	Moulded part bolt	1.000	ST			
9	5.409-117.0	Nipple	1.000	ST			
8	6.362-498.0	O-Ring seal 6,75x1,78 NBR 70	1.000	ST			
2	6.959-211.0	O-Ring seal 22 x 1,8	1.000	ST			
23	6.303-023.0	Oval head screw steel zinc- plated 3,5X13	2.000	ST			
12	7.303-084.0	Screw 4x25 -10.9-R2R (K- In6Rd)	3.000	ST			
13	7.303-086.0	Screw 5x30 -10.9-R2R (K- In6Rd)	2.000	ST			
7	4.401-048.0	Screw connector part	1.000	ST			
21	9.411-054.0	Sleeve black	1.000	ST			
6	2.883-151.0	Spare part set O-Ring seal	1.000	ST			

10 Cover individual parts

POS	Article no.	Description	Quantity	Unit	Serial number from	Serial number to	Foot note text
14	2.884-286.0	Spare parts set air exhaust louver	1.000	ST			
11	7.777-999.0	Stockpiling discontinued	1.000	ST			
1	7.777-999.0	Stockpiling discontinued	1.000	ST	183896		YELLOW
16	9.760-372.0	strain relief	1.000	ST			
19	6.962-194.0	Switch turbine	1.000	ST			
26	6.959-398.0	Switch with lamp	1.000	ST			
27	6.959-399.0	U-Washer 20X14X3	1.000	ST			

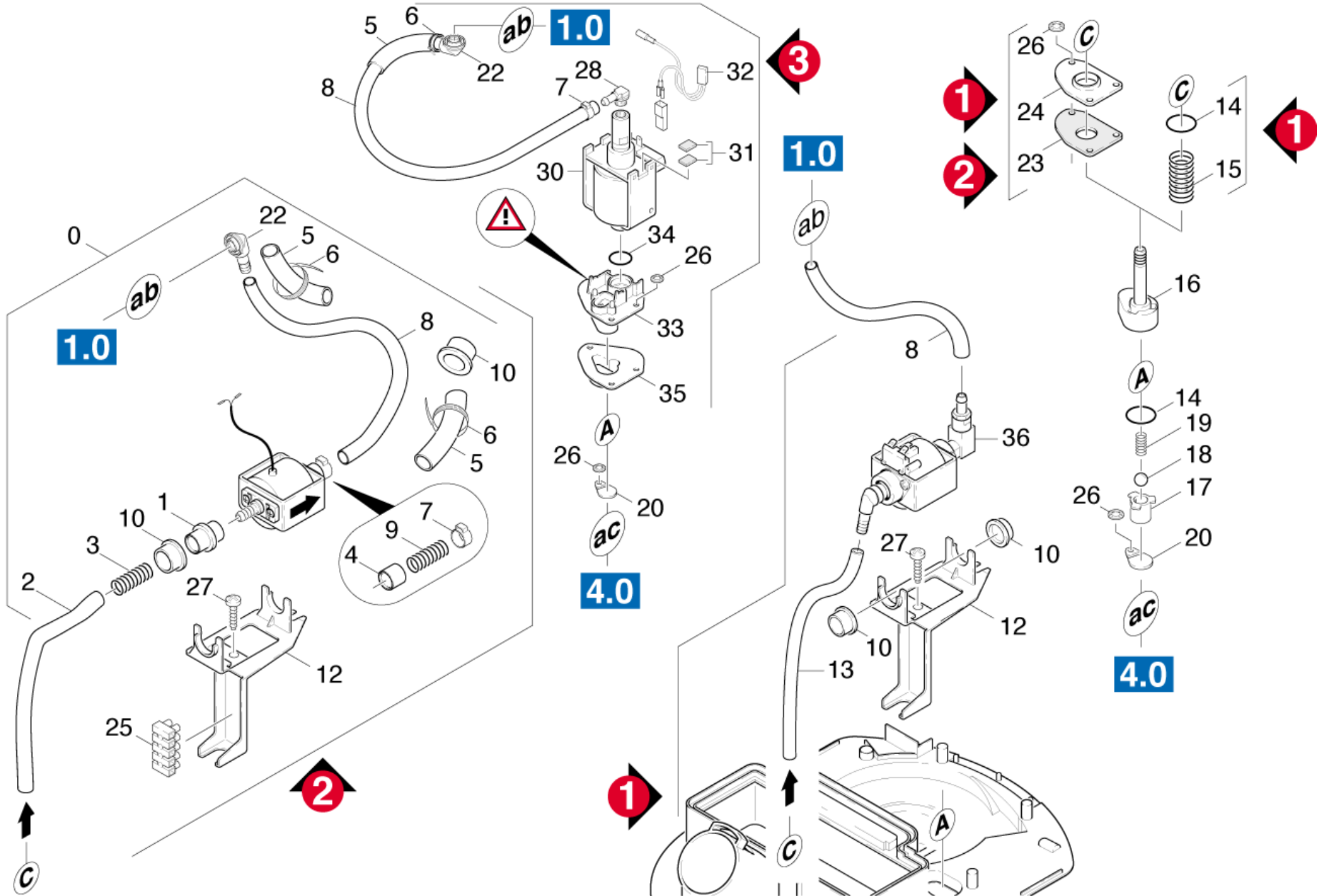
20 Turbine and housing

POS	Description	Quantity	Unit
22	Pump spraying	1.000	ST
21	Turbine and housing	1.000	ST



21 Turbine and housing

POS	Article no.	Description	Quantity	Unit	Serial number from	Serial number to	Remark	Foot note text
1	6.959-219.0	Air circulation	1.000	ST				
12	6.959-500.0	Baffle plate black	1.000	ST				
14	6.610-204.0	Carbon brush set only for replacement	1.000	ST				
Item text1: / 6.490-107.0								
9	6.959-225.0	Cover	1.000	ST				
4	6.959-221.0	Housing motor	1.000	ST			VERSION 1	GREY
4	6.959-439.0	Housing motor HOT	1.000	ST	126564		VERSION 2	BLACK
10	9.416-206.0	Moulded part black	1.000	ST	183896		VERSION 2	BLACK
10	9.416-206.0	Moulded part black	1.000	ST			VERSION 1	BLACK
Item text1: / 1.081-802.0								
10	9.411-576.0	Moulded part grey	1.000	ST	126564	183895	VERSION 2	GREY
8	6.959-224.0	Profile gasket	1.000	ST				
3	7.303-084.0	Screw 4x25 -10.9-R2R (K-In6Rd)	8.000	ST				
2	6.959-220.0	Seal	1.000	ST				
11	6.959-226.0	Seal	1.000	ST				
5	6.959-222.0	Seal	1.000	ST				
6	6.959-223.0	Seal	1.000	ST				
10	7.777-999.0	Stockpiling discontinued	1.000	ST		126563	VERSION 1	GREY
Item text1: / 1.081-121.0 / -281.0 / -291.0								
Item text2: / -601.0 / -801.0								
7	6.490-107.0	Vacuum motor 240V	1.000	ST				

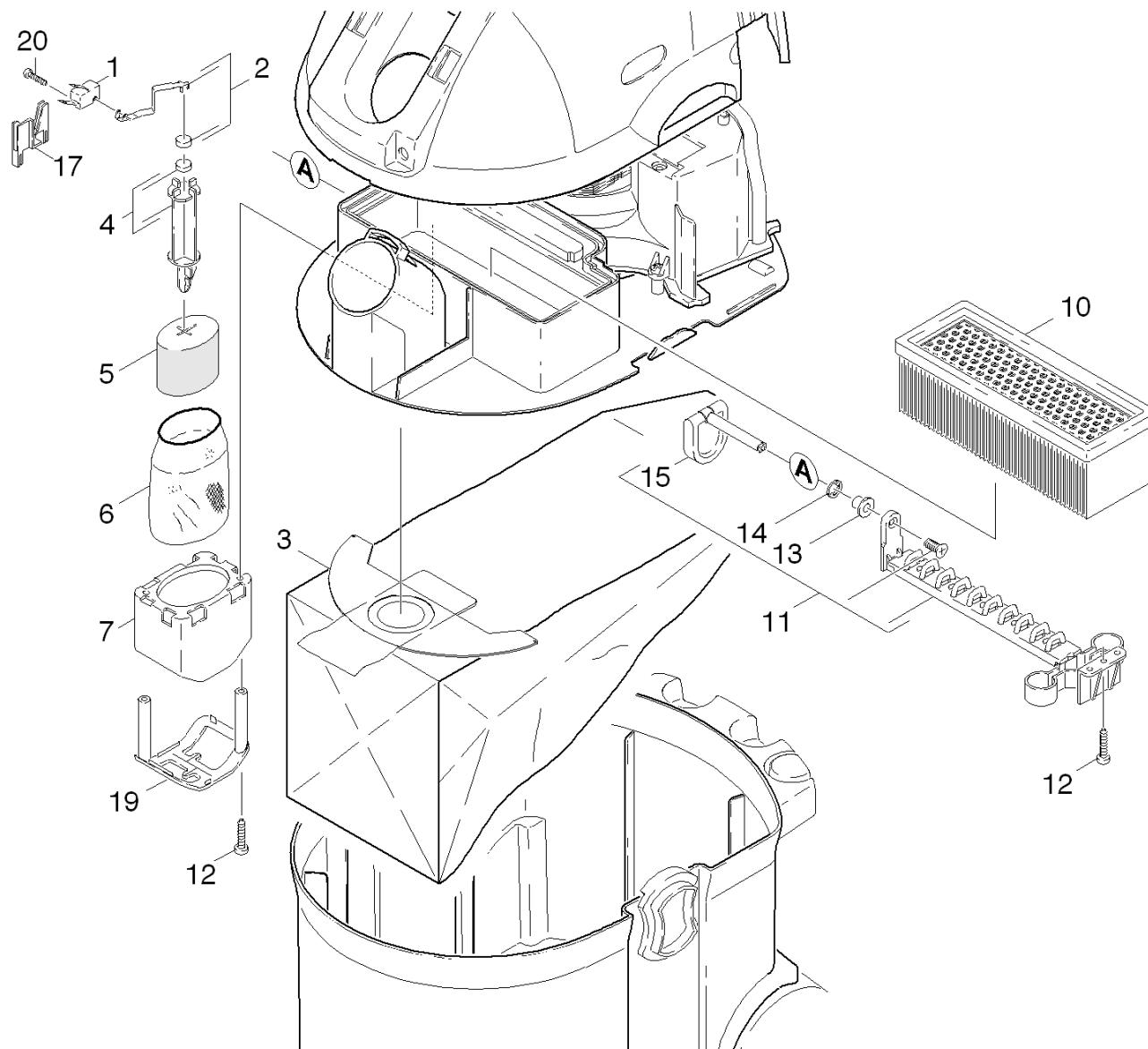


22 Pump spraying

POS	Article no.	Description	Quantity	Unit	Serial number from	Serial number to	Remark
4	6.959-324.0	Bearing bush delivery side	1.000	ST			
1	6.959-318.0	Bearing bush suction side	1.000	ST			
5	6.959-326.0	Bend protection	2.000	ZST			
10	6.959-254.0	Bush	2.000	ST			
6	6.641-463.0	Cable tape	2.000	ST			
28	6.959-448.0	Elbow connector R 1/8"	1.000	ST			
35	6.959-444.0	Form seal	1.000	ST	126564		
33	6.959-527.0	Holder for pump	1.000	ST	126564		
7	6.389-992.0	Hose clip	1.000	ST			D 11,3
12	6.959-252.0	Hose hanger	1.000	ST		126563	
2	6.959-320.0	Hose suction side	1.000	ZST			
16	6.959-240.0	Moulded part	1.000	ST		126563	
20	6.959-242.0	Moulded part rubber	1.000	ST			
22	5.409-117.0	Nipple	1.000	ST			
34	6.959-449.0	O-Ring seal 12X2,25 EPDM	1.000	ST	126564		
24	6.959-401.0	Plate	1.000	ST			
31	9.439-015.0	Plate cellular rubber	2.000	ST	126564		
23	6.959-400.0	Plate cellular rubber	1.000	ST			
8	6.959-325.0	Pressure hose	2.000	ZST			
0	2.882-414.0	PUMP	1.000	ST		126563	
36	2.882-414.0	PUMP	1.000	ST			FLUID-O-TECH
30	6.472-945.0	Pump 230 V -C.E.M.E	1.000	ST	126564		CEME PUMPE
26	6.343-169.0	Quick-fastener	4.000	ST			
17	6.959-241.0	Retainer	1.000	ST		126563	
14	6.959-239.0	Ring	2.000	ST			
27	7.303-084.0	Screw 4x25 -10.9-R2R (K-In6Rd)	1.000	ST			
18	6.959-255.0	Sphere	1.000	ST		126563	
15	6.959-253.0	Spring	1.000	ST			
19	6.959-251.0	Spring	1.000	ST		126563	
9	6.959-323.0	Spring delivery side	1.000	ST		126563	
3	6.959-319.0	Spring suction side	1.000	ST			
13	7.777-999.0	Stockpiling discontinued	1.000	ST			

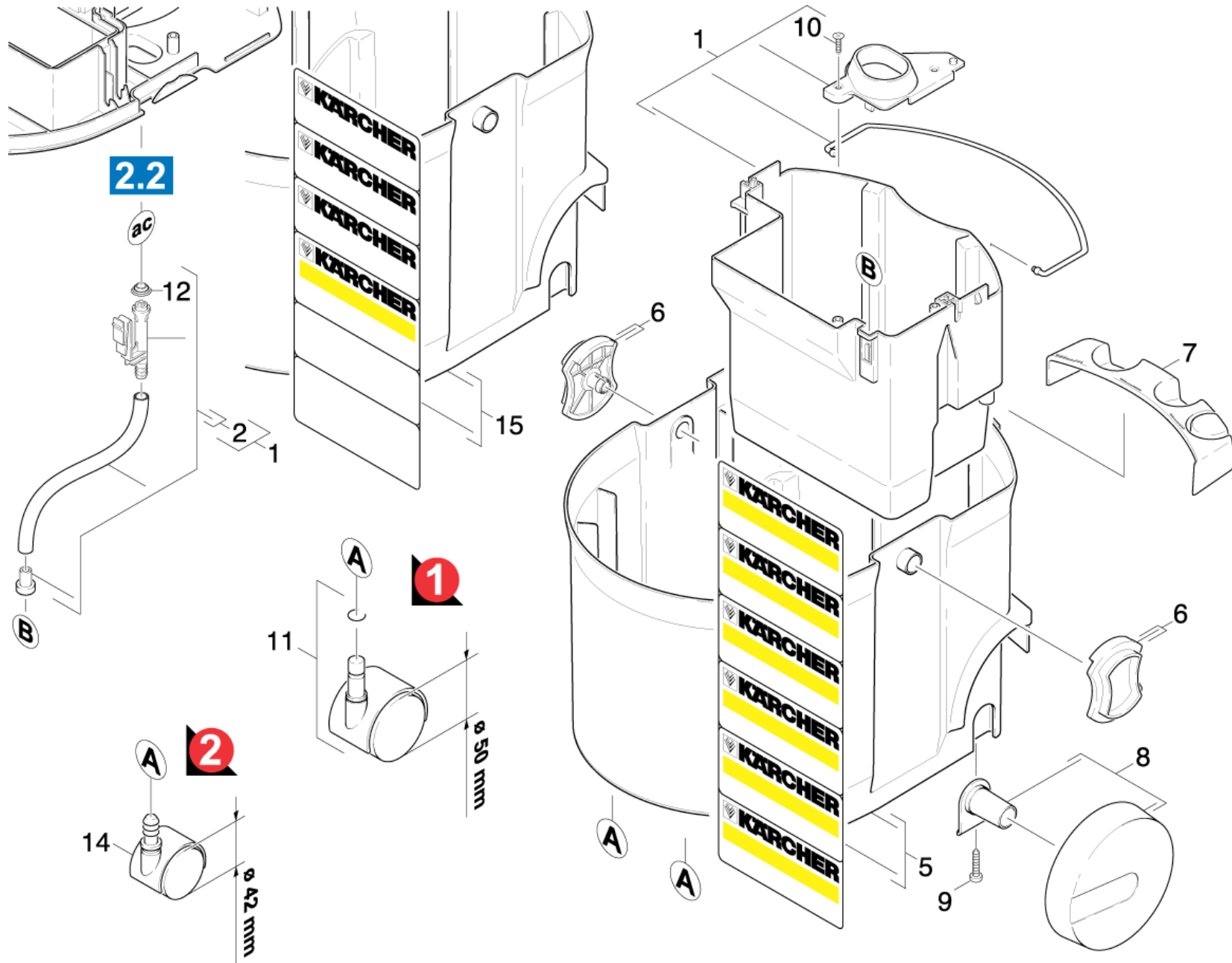
22 Pump spraying

POS	Article no.	Description	Quantity	Unit	Serial number from	Serial number to	Remark
25	6.643-123.0	Strip terminal eight-pole	1.000	ZST			
32	9.477-009.0	SWITCH THERMAL OVERLOADER	1.000	ST	126564		



30 Filter

POS	Article no.	Description	Quantity	Unit
13	6.347-074.0	Bush	1.000	ST
6	6.959-198.0	Diaphragm	1.000	ST
3	6.904-143.0	Filter kit WD/SE	1.000	ZSA
11	6.959-206.0	Filter vibrator complete	1.000	ST
10	6.414-498.0	Flat-pleated filter SE	1.000	ST
5	6.959-199.0	Float	1.000	ST
15	6.959-316.0	Hand grip	1.000	ST
7	6.959-197.0	Housing	1.000	ST
2	6.959-229.0	Lever and magnet	1.000	ST
1	6.959-228.0	Micro switch	1.000	ST
4	6.959-231.0	Moulded part	1.000	ST
17	6.959-279.0	Moulded part holder cable	1.000	ST
19	6.959-385.0	Moulded part housing	1.000	ST
14	6.343-180.0	Quick-fastener	1.000	ST
20	6.303-152.0	Screw 3,5X9,5-A2	1.000	ST
12	7.303-084.0	Screw 4x25 -10.9-R2R (K-In6Rd)	3.000	ST

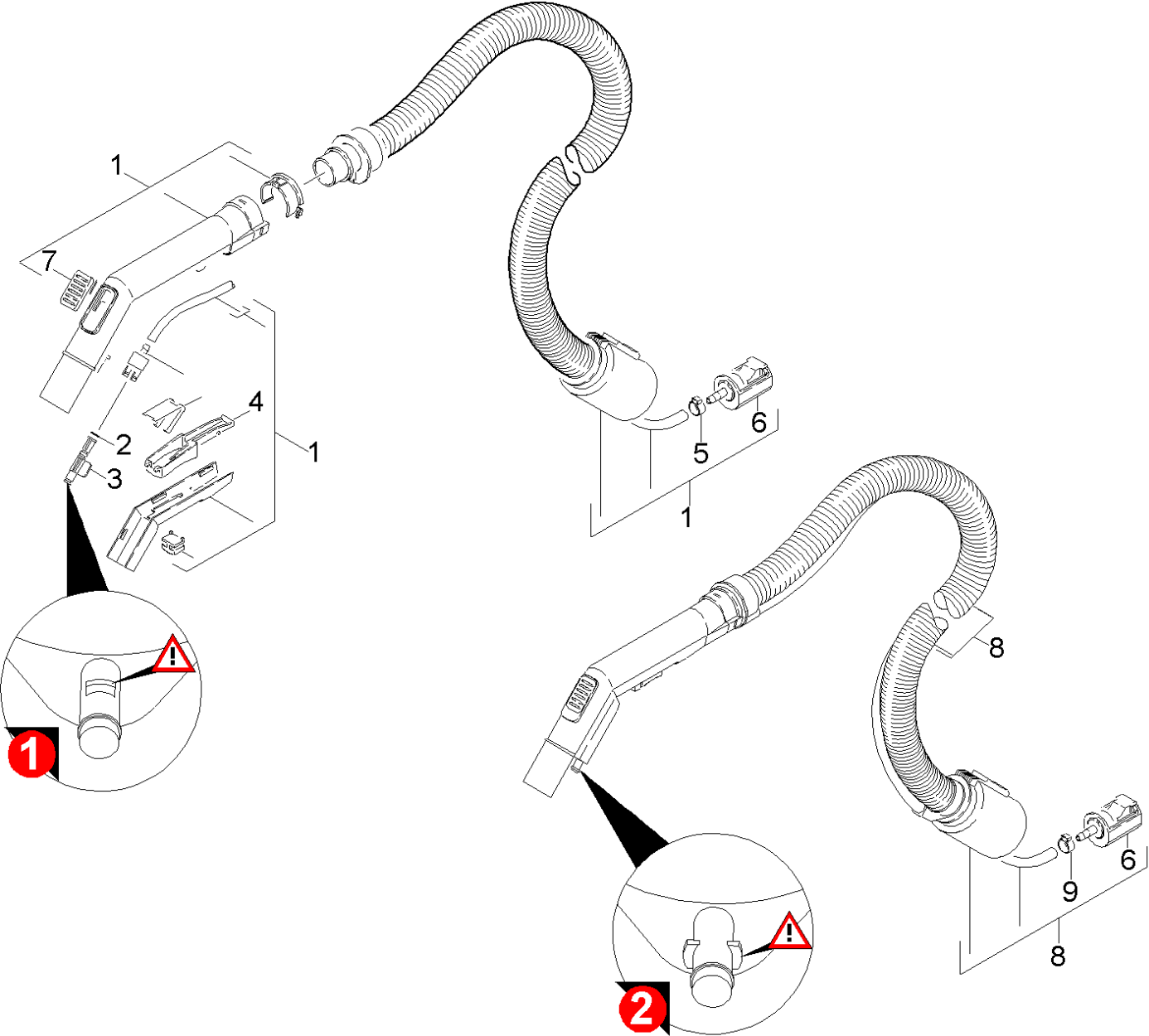


40 Tank individual parts

POS	Article no.	Description	Quantity	Unit	Remark	Foot note text
14	6.435-353.0	Castor D 42	2.000	ST	VERSION 2	
11	6.903-258.0	Double castor	2.000	ST	VERSION 1	
2	9.418-331.0	Filter complete box	1.000	ST		
7	6.959-387.0	Holder accessories	1.000	ST		
12	6.959-482.0	Joint ring	1.000	ST		
9	7.303-084.0	Screw 4x25 -10.9-R2R (K-In6Rd)	2.000	ST		
10	7.303-356.0	Sheet metal screw ST4,2X16,0-ST-A2R ISO	2.000	ST		
6	2.884-287.0	Spare parts set closure	1.000	ST		
1	6.959-209.0	Tank complete fresh water	1.000	ST		
5	2.884-060.0	Tank with label	1.000	ST		GREY
15	9.411-339.0	Tank yellow blank SE 3001	1.000	ST		YELLOW
8	6.959-373.0	Wheel complete neutrally 2 Stck.	2.000	ST		

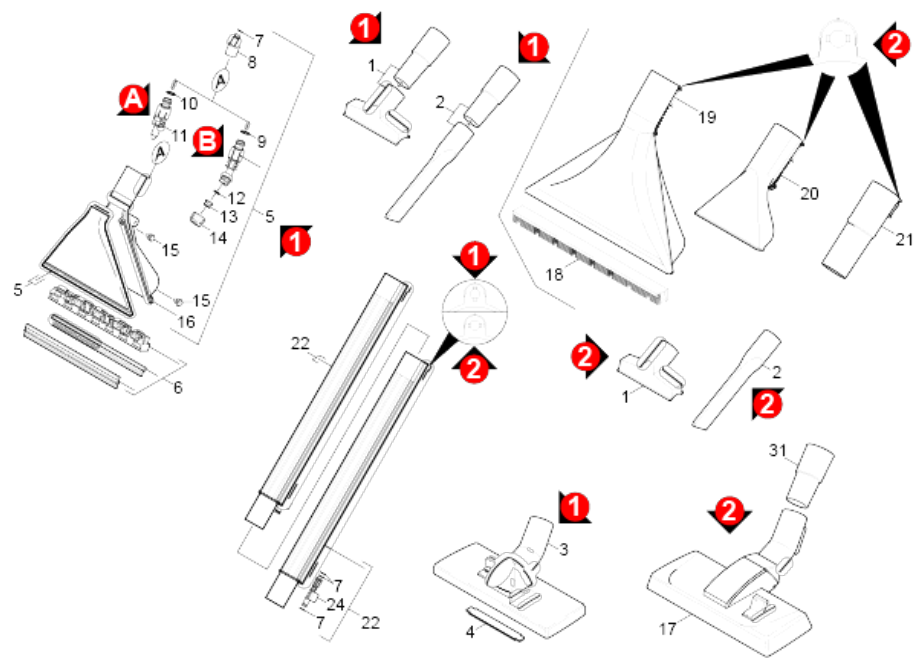
50 Accessories

POS	Description	Quantity	Unit
52	Accessories nozzles	1.000	ST
51	Suction hose EINZ.	1.000	ST



51 Suction hose EINZ.

POS	Article no.	Description	Quantity	Unit	Serial number from	Serial number to	Remark	Foot note text
5	6.390-257.0	Hose clip	1.000	ST			VERSION 1	
9	6.389-992.0	Hose clip	1.000	ST				VERSION 2
1	6.959-519.0	Hose complete	1.000	ST	183896		VERSION 1	BLACK
1	6.959-210.0	Hose complete	1.000	ST		183895	VERSION 1	GREY
8	9.012-456.0	Hose complete SE	1.000	ST				VERSION 2
6	4.446-005.0	Hose coupling	1.000	ST				
4	6.959-100.0	Lever	1.000	ST			VERSION 1	
3	6.959-103.0	Locking part	3.000	ST			VERSION 1	
2	6.959-090.0	O-Ring seal 5,28X 1,78	9.000	ST			VERSION 1	
7	6.959-091.0	Slider	1.000	ST			VERSION 1	



52 Accessories nozzles

POS	Article no.	Description	Quantity	Unit	Serial number from	Serial number to	Remark	Foot note text
21	9.012-279.0	Adapter /ADATTATORE ACC.SE	1.000	ST				VERSION 2
19	9.012-276.0	Carpet nozzle Spray- Ex	1.000	ST				VERSION 2
2	2.638-606.0	Crevice nozzle	1.000	ST				VERSION 1
2	6.900-385.0	Crevice nozzle DN35	1.000	ST				VERSION 2
3	6.906-266.0	Dry suction nozzle	1.000	ST				VERSION 1
8	6.959-108.0	Elbow connector	1.000	ST			VERSION 1	GREY
8		Elbow connector black	1.000	ST			VERSION 1	BLACK
22	6.959-518.0	Extension pipe	2.000	ST	183896			VERSION 1
22	6.959-038.0	Extension pipe	2.000	ST		183895		VERSION 1
22	9.012-468.0	Extension pipe SE 4002/TUBO PROLUNGA SE	2.000	ST				VERSION 2
17	6.906-894.0	Floor tool black RD270 DN35	1.000	ST				VERSION 2
20	9.012-278.0	Hand nozzle Sprueh- ex/HOME LINE	1.000	ST				VERSION 2
6	6.959-517.0	Hard surface adapter black	1.000	ST				VERSION 1
18	9.012-277.0	Insert Teppichduese Spray-Ex	1.000	ST				VERSION 2
24	6.959-103.0	Locking part	3.000	ST				VERSION 1
16	6.959-360.0	Moulded part	1.000	ST			VERSION 1	GREY
16	6.959-520.0	Moulded part black	1.000	ST			VERSION 1	BLACK
26	5.031-200.0	Nozzle bottom part	1.000	ST				VERSION 1
5	2.863-152.0	Nozzle complete SRUEH-EX	1.000	ST	183896			VERSION 1
13	6.415-166.0	Nozzle mouthpiece	1.000	ST				VERSION 1
30	6.415-928.0	Nozzle mouthpiece blue	1.000	ST				VERSION 1
27	5.031-199.0	Nozzle top part	1.000	ST				VERSION 1
14	5.310-114.0	Nut	1.000	ST			VERSION 1	GREY
14	5.310-043.0	Nut	1.000	ST			VERSION 1	BLACK

52 Accessories nozzles

POS	Article no.	Description	Quantity	Unit	Serial number from	Serial number to	Remark	Foot note text
7	6.959-090.0	O-Ring seal 5,28X 1,78	9.000	ST				VERSION 1
12	6.362-113.0	O-Ring seal 6,0 x 2,0 NBR 70	1.000	ST				
10	6.362-101.0	O-Ring seal 8 X 2	1.000	ST				VERSION 1
9	6.362-101.0	O-Ring seal 8 X 2	2.000	ST				VERSION 1
31	6.902-058.0	Reducer	1.000	ST				VERSION 2
15	6.959-111.0	Screw	4.000	ST				VERSION 1
29	5.401-213.0	Screw connector part	1.000	ST				VERSION 1
28	7.303-031.0	Screw M4x10 -St- P2R (In6Rd)	2.000	ST				VERSION 1
11	7.777-999.0	Stockpiling discontinued	1.000	ST				
4	6.905-417.0	Thread clipper	1.000	ZSA				VERSION 1
1	6.905-998.0	Upholstery nozzle complete NW35	1.000	ST				VERSION 2
1	2.638-607.0	Upholstery nozzle with reducer	1.000	ST				VERSION 1