

## **Spare parts list**

(1.645-153.0) SCP 12000 LEVEL SENSOR \*EU-I

## Table of contents

---

SCP 12000 LEVEL SENSOR *EU-I (1.645-153.0)	3
Spare parts list SCP 12000 (5.970-641.0)	4
10 Individual parts	5
11 Individual parts	6
1 Connection for suction hose 1 1/4" (6.997-418.0)	8
4 Screw with O-Ring seal f.Ersatz (4.645-061.0)	10
12 Individual parts	12
1 Connection for suction hose 1 1/4" (6.997-418.0)	14
4 Screw with O-Ring seal f.Ersatz (4.645-061.0)	16

SCP 12000 LEVEL SENSOR \*EU-I (1.645-153.0)

---

<b>POS</b>	<b>Article no.</b>	<b>Description</b>	<b>Quantity</b>	<b>Unit</b>
0	5.970-641.0	Spare parts list SCP 12000	1.000	ST

---

Spare parts list SCP 12000 (5.970-641.0)

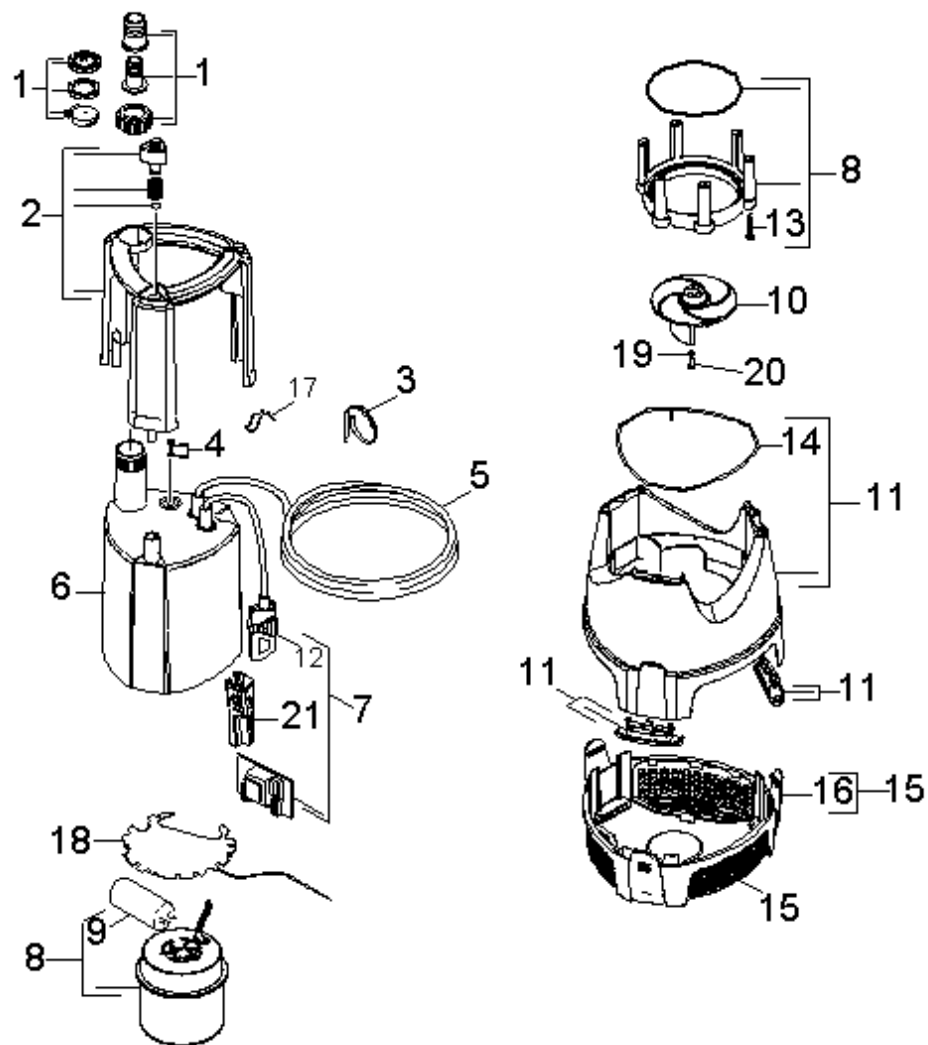
---

POS	Description	Quantity	Unit
10	Individual parts	1.000	ST

## 10 Individual parts

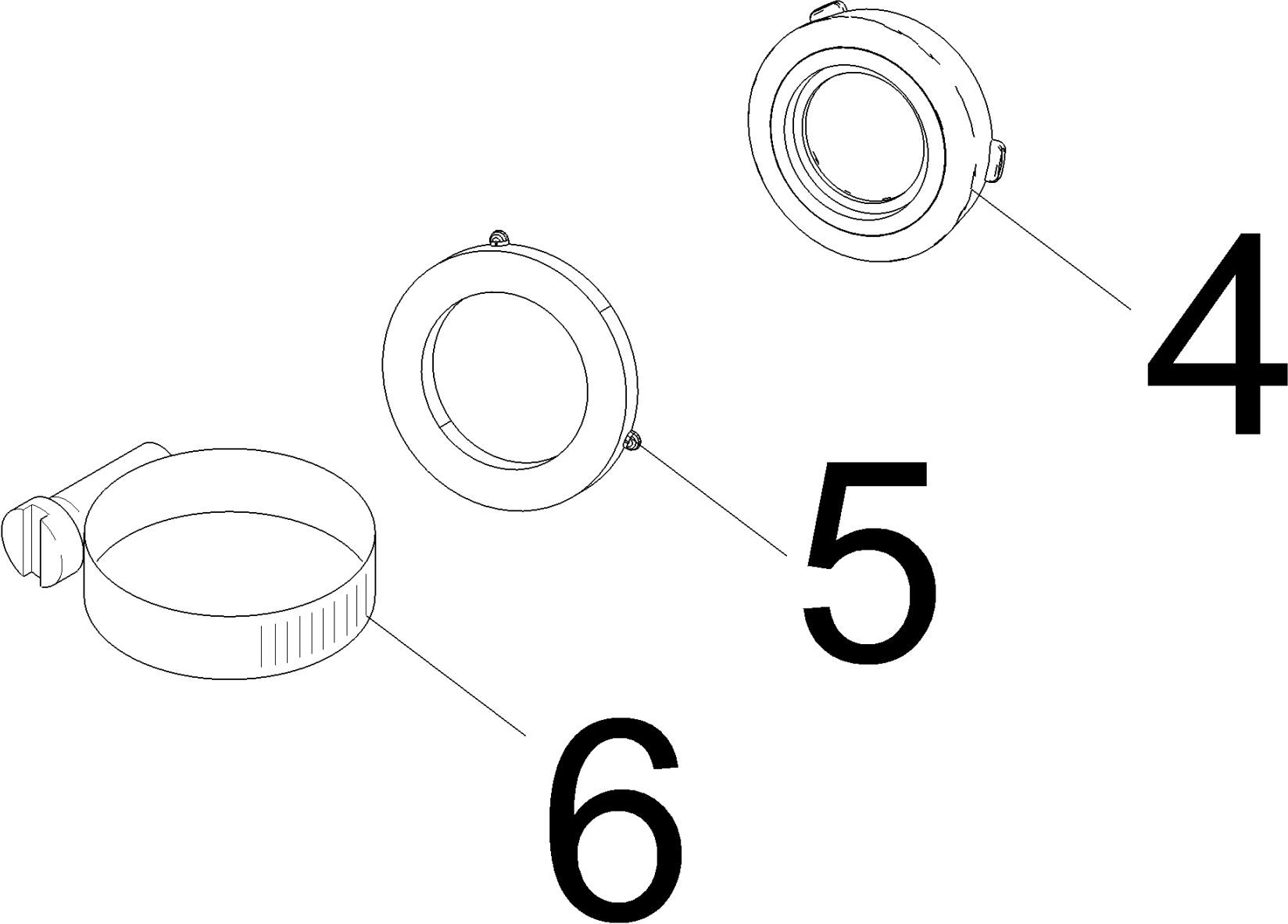
---

<b>POS</b>	<b>Description</b>	<b>Quantity</b>	<b>Unit</b>	<b>Foot note text</b>
12	Individual parts	1.000	ST	VERSION 2
11	Individual parts	1.000	ST	VERSION 1



## 11 Individual parts

POS	Article no.	Description	Quantity	Unit	Remark
5	4.645-241.0	Cable complete for replacement *AU	1.000	ST	/*AU
5	4.645-368.0	Cable for replacement *CH SxP better	1.000	ST	/*CH
5	4.645-238.0	Cable for replacement *MX	1.000	ST	/*MX
5	4.645-072.0	Cable with fixing f.Ersatz	1.000	ST	/*EU
5	4.645-085.0	Cable with fixing GB-f.Ersatz	1.000	ST	/*GB
9	4.645-276.0	Capacitor for replacement 16µF	1.000	ST	
11	4.645-311.0	Chamber for replacement /clean	1.000	ST	
16	5.645-025.0	Clamp /filter clamp	3.000	ST	
17	4.645-196.0	Clamp replacement /clamp bypass	1.000	ST	
12	4.645-156.0	Clamp replacement /clamp sensor	1.000	ST	
1	6.997-418.0	Connection for suction hose 1 1/4"	1.000	ST	
2	4.645-075.0	Handhold complete for replacement	1.000	ST	
21	5.645-421.0	Housing Levelsensor	1.000	ST	
6	4.645-068.0	Housing neutrally for replacement	1.000	ST	
10	5.645-076.0	Impeller /impeller clean better	1.000	ST	/*EU/*CH/*GB/*AU
10	5.645-280.0	Impeller 60Hz SCP12000	1.000	ST	/*MX
8	4.645-071.0	Motor complete for replacement	1.000	ST	/*EU/*CH/*GB/*AU
8	4.645-212.0	Motor complete for replacement SxP *MX	1.000	ST	/*MX
18	4.645-030.0	Plate complete / sheet metal earth w. wi	1.000	ST	
15	6.997-353.0	Prefilter immersion pumps Better	1.000	ST	
13	6.303-496.0	Screw 3,5x30	6.000	ST	
20	9.086-207.0	Screw M5x10 A2	1.000	ST	
4	4.645-061.0	Screw with O-Ring seal f.Ersatz	1.000	ST	
14	5.645-592.0	Seal SxP better/best	1.000	ST	
7	4.645-253.0	Sensor for replacement	1.000	ST	/*EU/*CH/*GB/*AU
7	4.645-270.0	Sensor for replacement MEX	1.000	ST	/*MX
3	6.375-479.0	Strap /Velcro-Strap	1.000	ST	
19	9.086-023.0	Toothed lock washer Ø5 A2	1.000	ST	

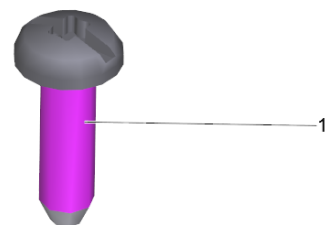
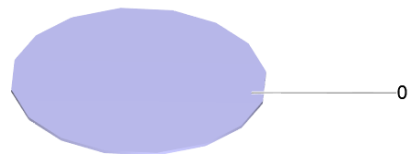




1 Connection for suction hose 1 1/4" (6.997-418.0)

---

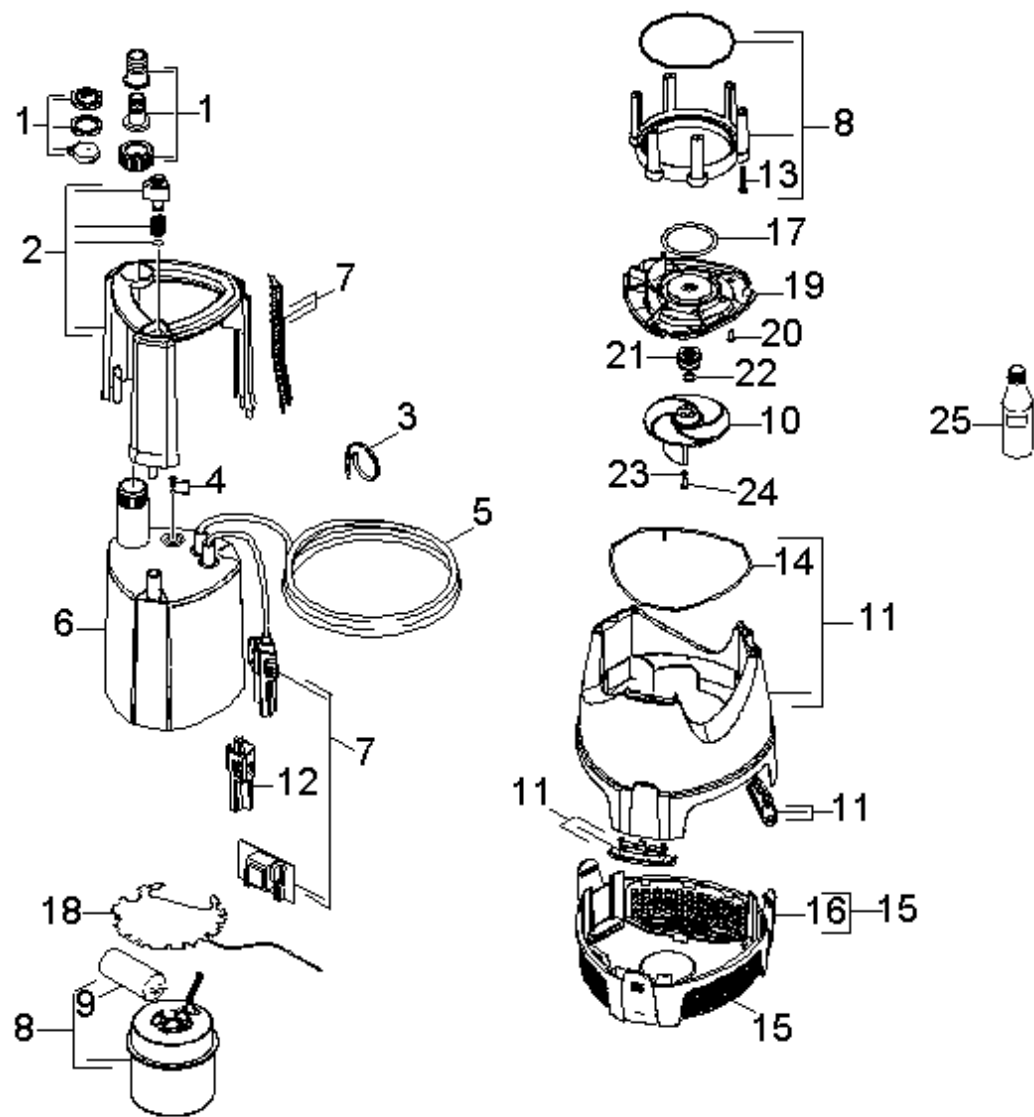
<b>POS</b>	<b>Article no.</b>	<b>Description</b>	<b>Quantity</b>	<b>Unit</b>
4	6.645-323.0	Check valve 1 1/4" /non return valve	1.000	ST
6	6.390-703.0	Hose clip	1.000	ST
5	6.645-161.0	Seal / flat gasket large	1.000	ST



#### 4 Screw with O-Ring seal f.Ersatz (4.645-061.0)

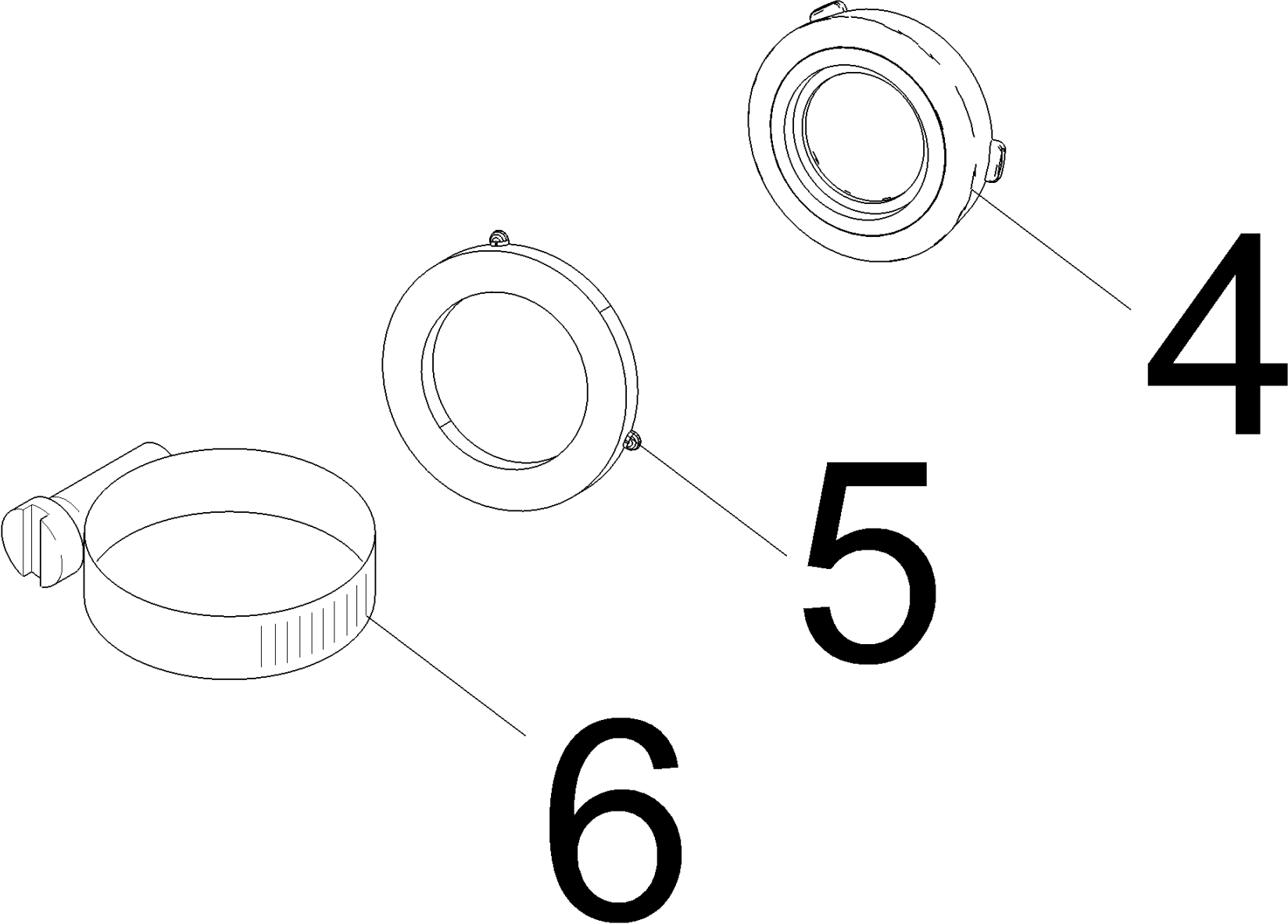
---

<b>POS</b>	<b>Article no.</b>	<b>Description</b>	<b>Quantity</b>	<b>Unit</b>
0		Label / label	1.000	ST
2	7.362-502.0	O-Ring seal 2,8x1,6-NBR 70 DIN 3770	1.000	ST
1	6.645-543.0	Oval head screw 3,5x12-10.9-R2R	1.000	ST



## 12 Individual parts

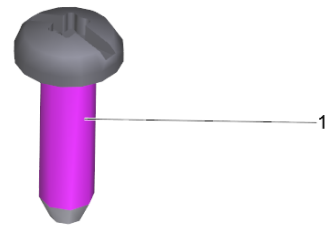
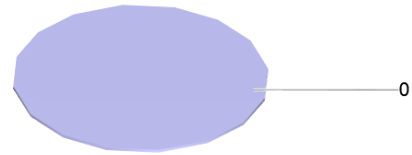
POS	Article no.	Description	Quantity	Unit	Remark
5	4.645-241.0	Cable complete for replacement *AU	1.000	ST	/*AU
5	4.645-368.0	Cable for replacement *CH SxP better	1.000	ST	/*CH
5	4.645-238.0	Cable for replacement *MX	1.000	ST	/*MX
5	4.645-072.0	Cable with fixing f.Ersatz	1.000	ST	/*EU
5	4.645-085.0	Cable with fixing GB-f.Ersatz	1.000	ST	/*GB
9	6.645-450.0	Capacitor 12µF P2	1.000	ST	
11	4.645-311.0	Chamber for replacement /clean	1.000	ST	
16	5.645-025.0	Clamp /filter clamp	3.000	ST	
1	6.997-418.0	Connection for suction hose 1 1/4"	1.000	ST	
21	6.645-421.0	Floating ring seal	1.000	ST	
2	4.645-075.0	Handhold complete for replacement	1.000	ST	
12	5.645-421.0	Housing Levelsensor	1.000	ST	
6	4.645-068.0	Housing neutrally for replacement	1.000	ST	
10	5.645-414.0	Impeller /impeller clean better	1.000	ST	/*EU/*CH/*GB/*AU
10	5.645-415.0	Impeller /impeller clean better 60Hz	1.000	ST	/*MX
19	5.645-411.0	Intermediate layer /separating plate	1.000	ST	
8	4.645-309.0	Motor for replacement	1.000	ST	/*EU/*CH/*GB/*AU
8	4.645-273.0	Motor for replacement MEX	1.000	ST	/*MX
22	6.362-151.0	O-Ring d. 10 x 2 NBR 70	1.000	ST	
17	9.080-479.0	O-Ring seal 52x4 NBR 50	1.000	ST	
25	6.295-578.0	Oil 20 ml	1.000	ST	
18	4.645-030.0	Plate complete / sheet metal earth w. wi	1.000	ST	
15	6.997-353.0	Prefilter immersion pumps Better	1.000	ST	
13	6.303-496.0	Screw 3,5x30	6.000	ST	
20	9.086-217.0	Screw 4,2X13 INOX	6.000	ST	
24	9.086-207.0	Screw M5x10 A2	1.000	ST	
4	4.645-061.0	Screw with O-Ring seal f.Ersatz	1.000	ST	
14	5.645-592.0	Seal SxP better/best	1.000	ST	
7	4.645-253.0	Sensor for replacement	1.000	ST	/*EU/*CH/*GB/*AU
7	4.645-270.0	Sensor for replacement MEX	1.000	ST	/*MX
3	6.375-479.0	Strap /Velcro-Strap	1.000	ST	
23	9.086-023.0	Toothed lock washer Ø5 A2	1.000	ST	



1 Connection for suction hose 1 1/4" (6.997-418.0)

---

<b>POS</b>	<b>Article no.</b>	<b>Description</b>	<b>Quantity</b>	<b>Unit</b>
4	6.645-323.0	Check valve 1 1/4" /non return valve	1.000	ST
6	6.390-703.0	Hose clip	1.000	ST
5	6.645-161.0	Seal / flat gasket large	1.000	ST





#### 4 Screw with O-Ring seal f.Ersatz (4.645-061.0)

---

<b>POS</b>	<b>Article no.</b>	<b>Description</b>	<b>Quantity</b>	<b>Unit</b>
0		Label / label	1.000	ST
2	7.362-502.0	O-Ring seal 2,8x1,6-NBR 70 DIN 3770	1.000	ST
1	6.645-543.0	Oval head screw 3,5x12-10.9-R2R	1.000	ST