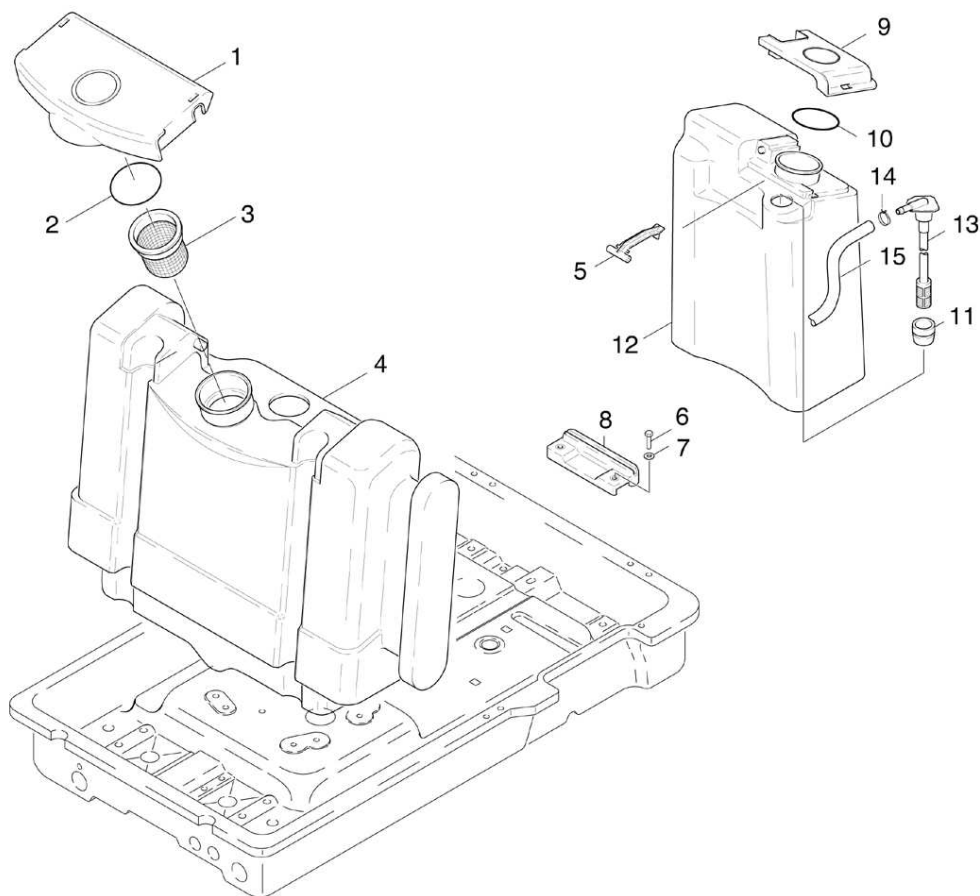


### 1.2 Tank



pos	part no.	Qty.	Description	from ser.nr.	up to ser.nr.
1	50635650	1	Cover fuel		
2	53632900	1	Joint ring		
3	57310390	1	Filter		
4	50711830	1	Tank fuel lacquered		
5	50424630	1	Holder		
6	63031050	2	Screw M6x20-ST-A2R DIN 7500-1		
7	73122910	2	Washer 6-200HV-A2R ISO7093-1		
8	50570400	1	Support		
9	50633600	1	Cover		
10	63626350	1	O-Ring seal 50,0x4,0-NBR 70		
11	53651470	1	Profile gasket		
12	50710380	1	Tank chemistry		
13	64140280	1	Filter		
14	63885590	1	Hose clip		
15	63882250	1	Hose DN 7		
<b>TO ORDER AS CUT GOODS</b>					

1.2 Tank

---