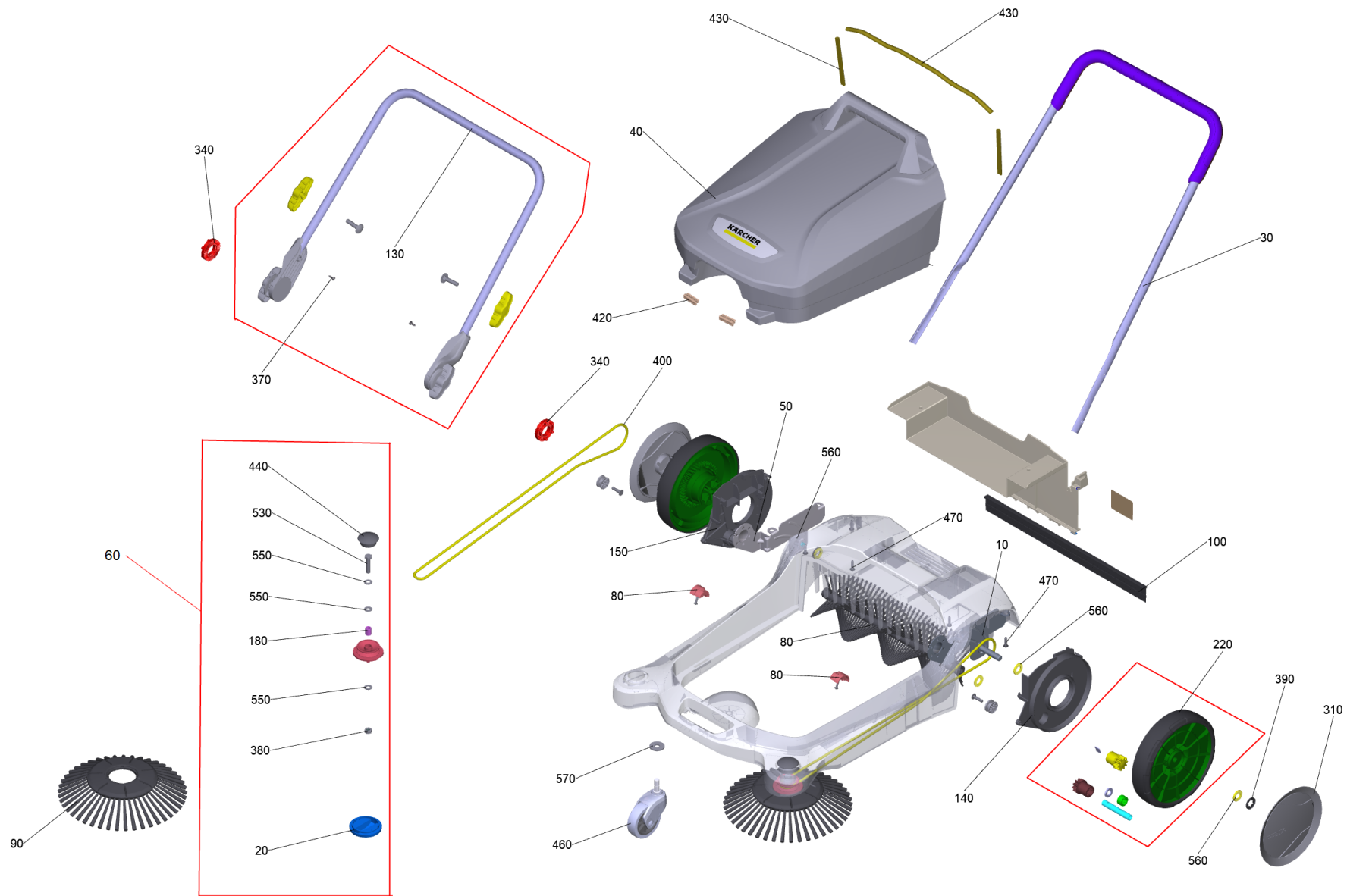


Spare parts list (1.766-360.0) S 4 Twin

Table of contents

S 4 Twin (1.766-360.0)	3
30 Shearing shackle above complete S4 Twin (4.034-030.0)	5
40 Sweep tank complete S4 (4.070-206.0)	6
60 Spare parts set side broom (4.071-592.0)	8
80 Set reversing rolling mill (4.071-609.0)	10
130 Shearing shackle bottom set S4 (4.071-289.0)	11
220 Wheel set S4 (4.071-282.0)	13
460 Set castor (4.071-747.0)	15

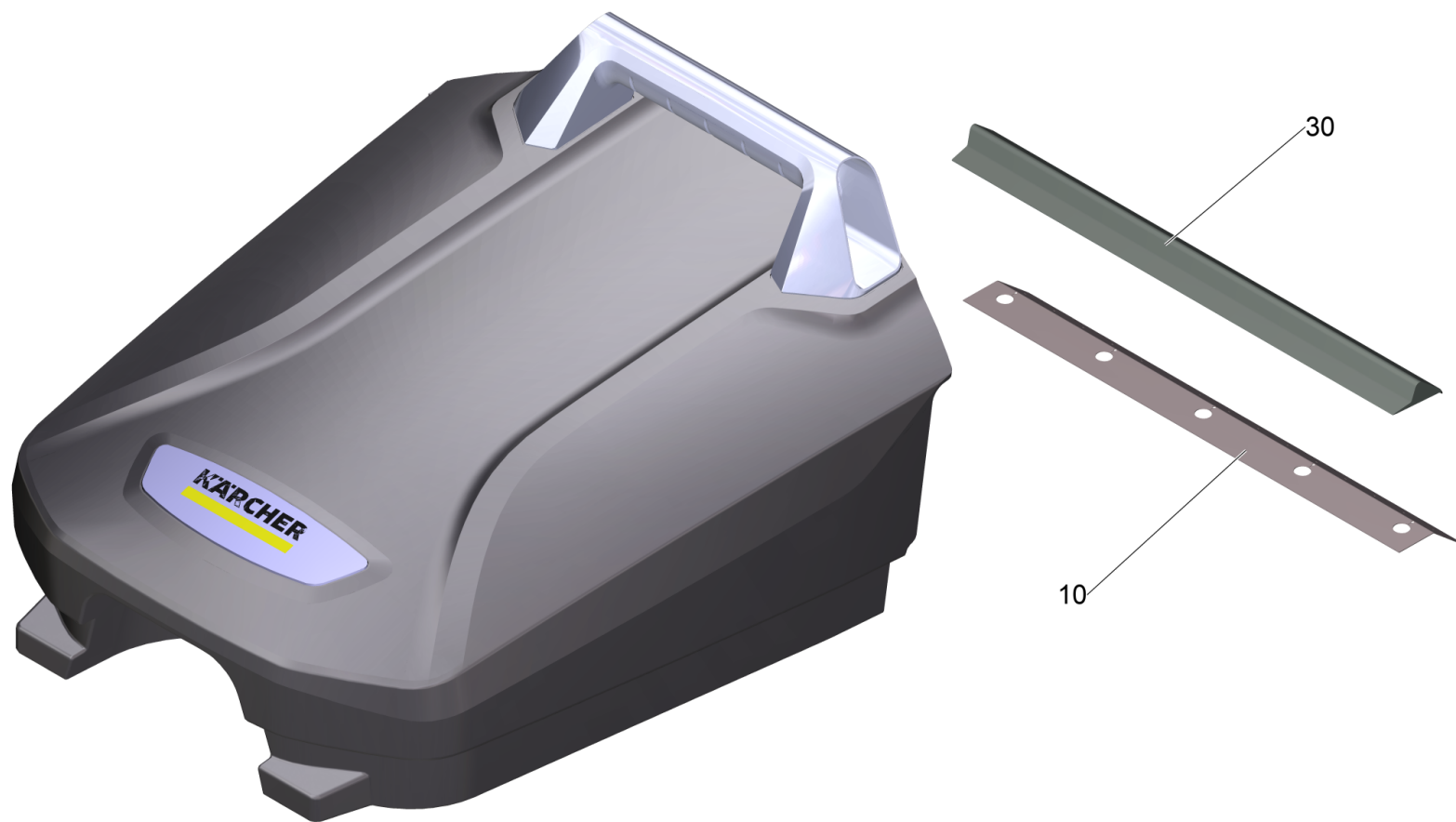


S 4 Twin (1.766-360.0)

POS	Article no.	Description	Quantity	Unit	Remark	Foot note text
140	5.032-104.0	Axle drum left S4	1.000	ST		
150	5.032-105.0	Axle drum right S4	1.000	ST		
10	4.061-026.0	Bearing plate left S4	1.000	ST		
50	4.061-027.0	Bearing plate right S4	1.000	ST		
440	6.387-996.0	Cap	2.000	ST		
20	5.034-236.0	Cap closure side broom	1.000	ST		
530	7.304-406.0	Hexagonal head screw M 8x35-8.8-A2E IS	2.000	ST		
380	6.310-150.0	Hexagon nut self-locking M8	2.000	ST		
390	6.343-180.0	Quick-fastener	2.000	ST		
100	5.032-097.0	Rear skirting S4	1.000	ST		
400	6.348-013.0	Round belt S4	2.000	ST		
470	7.303-108.0	Screw 5x20 -10.9-R2R (In6Rd)	10.000	ST		
420	6.365-016.0	Sealing profile	1.000	M		
430	6.365-025.0	Sealing profile 5,5x9	1.000	M		TO ORDER AS CUT GOODS
460	4.071-747.0	Set castor	1.000	ST		
80	4.071-609.0	Set reversing rolling mill	1.000	ST		
30	4.034-030.0	Shearing shackle above complete S4 Twin	1.000	ST		
130	4.071-289.0	Shearing shackle bottom set S4	1.000	ST		
340	5.625-024.0	Shearing shackle rotation preventing	1.000	ST		
370	7.303-072.0	Sheet metal screw ST4,2X13-ST-R2R (IN6R	2.000	ST		
90	2.644-032.0	Side broom for wet conditions S4	1.000	ST		
180	5.110-051.0	Sleeve side broom	2.000	ST		
60	4.071-592.0	Spare parts set side broom	1.000	ST		
90	2.884-350.0	Spare parts set side broom S4	2.000	ST		
40	4.070-206.0	Sweep tank complete S4	1.000	ST		
490	7.312-004.0	Washer 8 -200HV-A3E ISO 7089	6.000	ST		
550	7.312-004.0	Washer 8 -200HV-A3E ISO 7089	6.000	ST		
570	7.312-285.0	Washer 10 -200HV-A2E ISO7093-1	1.000	ST		
560	7.312-008.0	Washer 12-200HV-A3E ISO 7089	4.000	ST		
310	5.515-219.0	Wheel cap S4	2.000	ST		
220	4.071-282.0	Wheel set S4	1.000	ST	Freilauf gefettet, Freewheel greased	

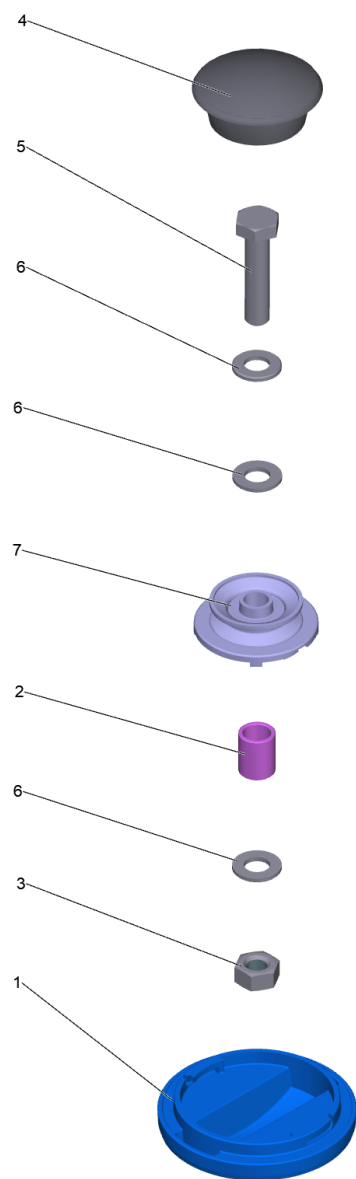
30 Shearing shackle above complete S4 Twin (4.034-030.0)

POS	Article no.	Description	Quantity	Unit
1	7.303-264.0	Screw 3x16 -10.9-R2R (K-In6Rd)	4.000	ST



40 Sweep tank complete S4 (4.070-206.0)

POS	Article no.	Description	Quantity	Unit
30	5.032-102.0	Holder rubberlip S4	1.000	ST
10	5.032-137.0	Rubberlip S4	1.000	ST

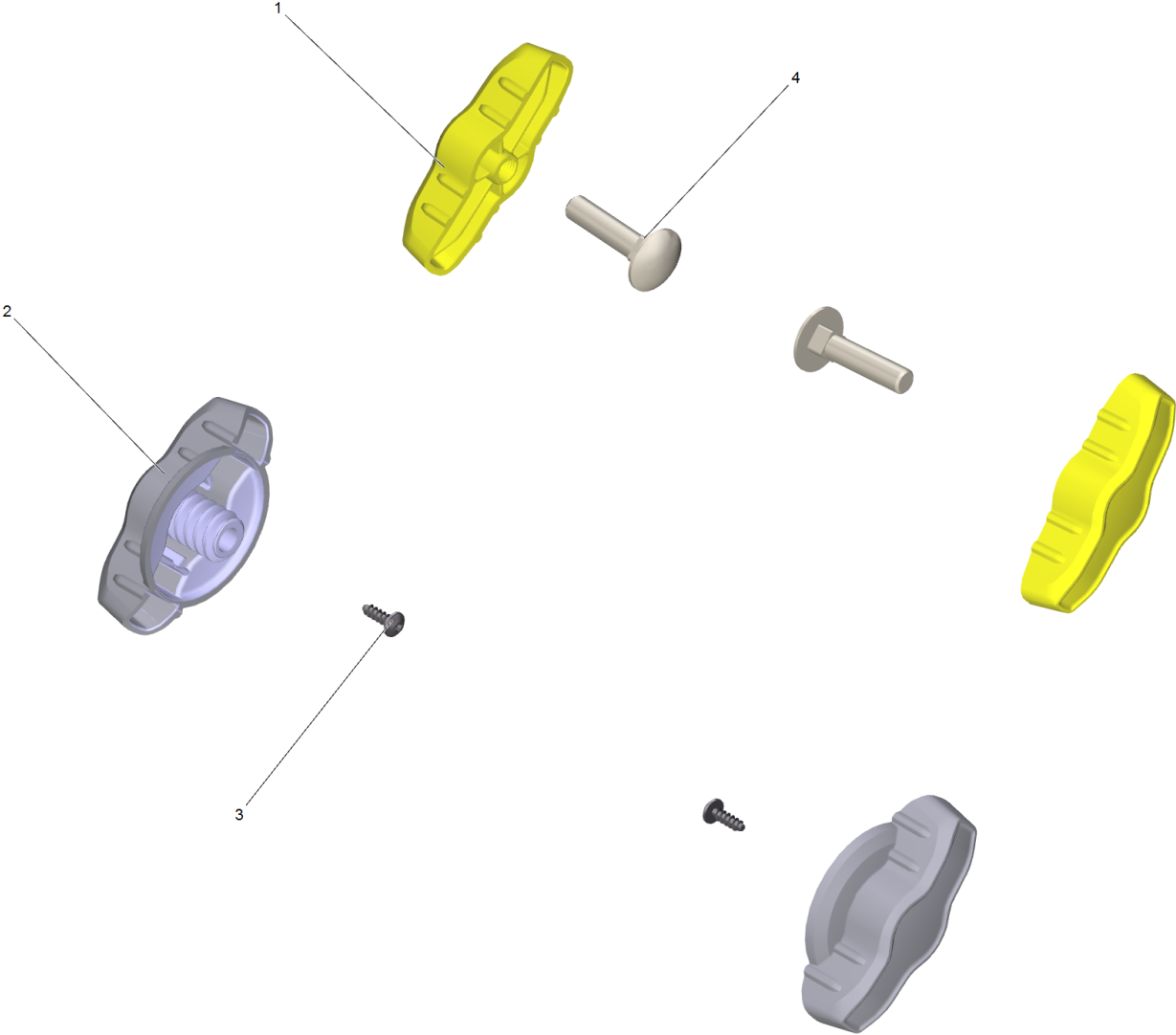


60 Spare parts set side broom (4.071-592.0)

POS	Article no.	Description	Quantity	Unit
7	5.625-021.0	Belt pulley side broom S4	1.000	ST
4	6.387-996.0	Cap	1.000	ST
1	5.034-236.0	Cap closure side broom	1.000	ST
5	7.304-406.0	Hexagonal head screw M 8x35-8.8-A2E IS	2.000	ST
3	6.310-150.0	Hexagon nut self-locking M8	2.000	ST
2	5.110-051.0	Sleeve side broom	1.000	ST
6	7.312-004.0	Washer 8 -200HV-A3E ISO 7089	3.000	ST

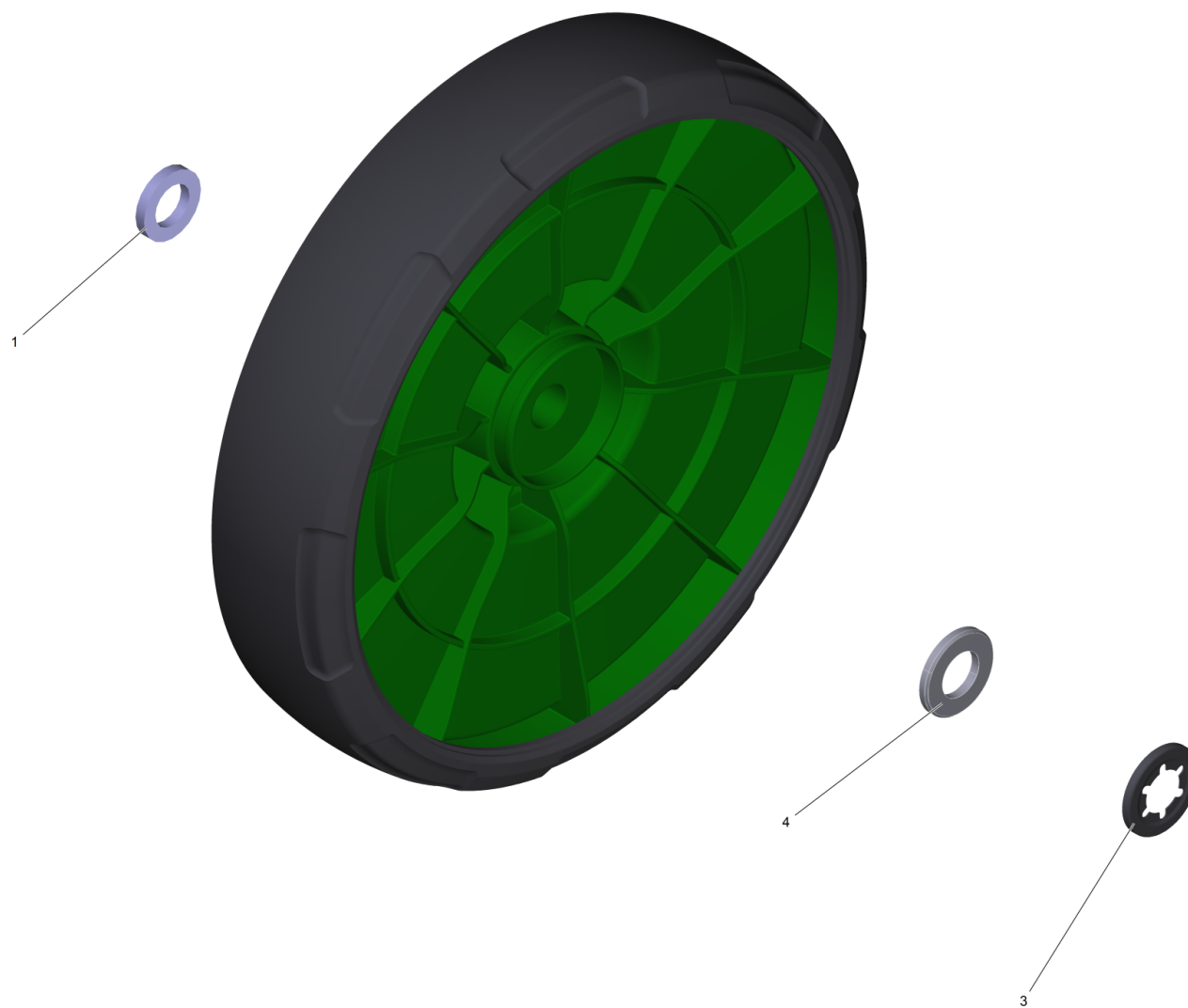
80 Set reversing rolling mill (4.071-609.0)

POS	Article no.	Description	Quantity	Unit
10	5.032-141.0	Clamping piece roller brush S4	2.000	ST
20	7.303-285.0	Screw 4x30 -10.9-R2R (K-In6Rd)	2.000	ST



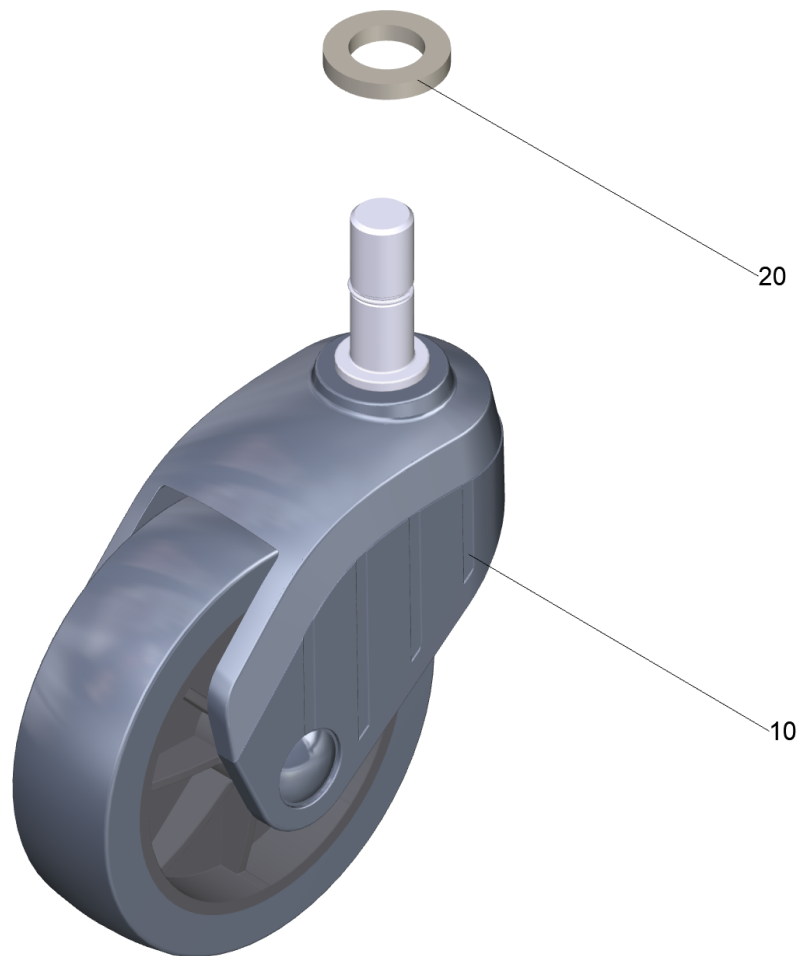
130 Shearing shackle bottom set S4 (4.071-289.0)

POS	Article no.	Description	Quantity	Unit
2	5.481-076.0	Cocking lever S4	2.000	ST
1	5.322-222.0	Handle	2.000	ST
4	7.303-008.0	Saucer-head screw M 8x35-ST-A0P DIN 603	2.000	ST
3	7.303-072.0	Sheet metal screw ST4,2X13-ST-R2R (IN6R)	2.000	ST



220 Wheel set S4 (4.071-282.0)

POS	Article no.	Description	Quantity	Unit
1	6.362-667.0	Joint ring 12x20x3	2.000	ST
3	6.343-180.0	Quick-fastener	2.000	ST
4	7.312-008.0	Washer 12-200HV-A3E ISO 7089	2.000	ST



460 Set castor (4.071-747.0)

POS	Article no.	Description	Quantity	Unit
10	6.435-105.0	Castor	1.000	ST
20	6.362-667.0	Joint ring 12x20x3	1.000	ST