

Spare parts list

(1.028-337.0) HDS 1195 S ECO*EU-I

Table of contents

HDS 1195 S ECO*EU-I (1.028-337.0)	4
Spare parts list HDS 1195 S ECO (5.970-313.0)	5
10 Housing	6
11 Cover	7
12 Base frame	9
13 Handhold	11
20 Pump set	13
21 Piston	14
1 Piston complete only for replacement (4.553-283.0)	16
100 Spare part set pump HDS 1295 (2.883-914.0)	17
20 Valve (3 Stueck) (2.884-512.0)	18
22 Cylinder head	20
10 Piston complete only for replacement (4.553-197.0)	23
25 Piston complete only for replacement (4.553-198.0)	25
32 Valve (3 Stueck) (2.884-512.0)	27
100 Spare part set pump HDS 1295 (2.883-914.0)	29
20 Valve (3 Stueck) (2.884-512.0)	30
23 Switch	32
30 Motor	34
15 Wobble plate (5.120-235.3)	37
40 Blower	38
50 Fuel system	40
51 Fuel pump aspiration	41
52 Fuel pump	43
60 Electric control box	45
61 Top part	46
62 Bottom part	48
21 Spare parts set ignition transformer (2.883-791.0)	51
70 Flow heater	52
71 Burner cover	53
11 Conversion kit ignition electrode (2.638-974.0)	55
26 Cover plate pressure boiler (4.654-218.0)	57
72 Heating coil	59
1 Outer covering (4.652-079.0)	61
73 Burner bottom	63
2 Bottom pressure boiler (4.655-044.0)	65
2 Bottom pressure boiler (4.655-048.0)	67
4 Seal (5.363-360.0)	69

Table of contents

80	Float chest	70
81	Float chest	71
82	DGT	74
90	Safety system	76
91	Safety system	77
92	Safety system	79
100	Accessories	81
101	Hand trigger gun	82
1	HAND TRIGGER GUN EASY PRESS (4.775-463.0)	84
2	Hook (4.037-013.0)	86
9	Hook (4.037-013.0)	87
11	Hose assembly DN8 max.31,5MPa 10m (6.390-025.0)	88
11	Hose assembly only for replacement DN8 4 (6.391-351.0)	89
14	Rotary controller 700L (4.775-471.0)	91
102	Hand trigger gun	93
1	Hand trigger gun (4.775-466.0)	95
2	Hook (4.037-013.0)	97
60	Adapter pipelines AVS-M22x1,5 (4.421-739.3)	98
7	Hook (4.037-013.0)	100
9	Adapter pipelines AVS-M22x1,5 (4.421-739.3)	101
10	Rotary controller 700L (4.775-471.0)	103
103	Jet pipe	105
1	Jet pipe packaged only for replacement (4.760-660.0)	107
104	Steam nozzle	109
105	Hose reel	111
110	Control panel	114

HDS 1195 S ECO*EU-I (1.028-337.0)

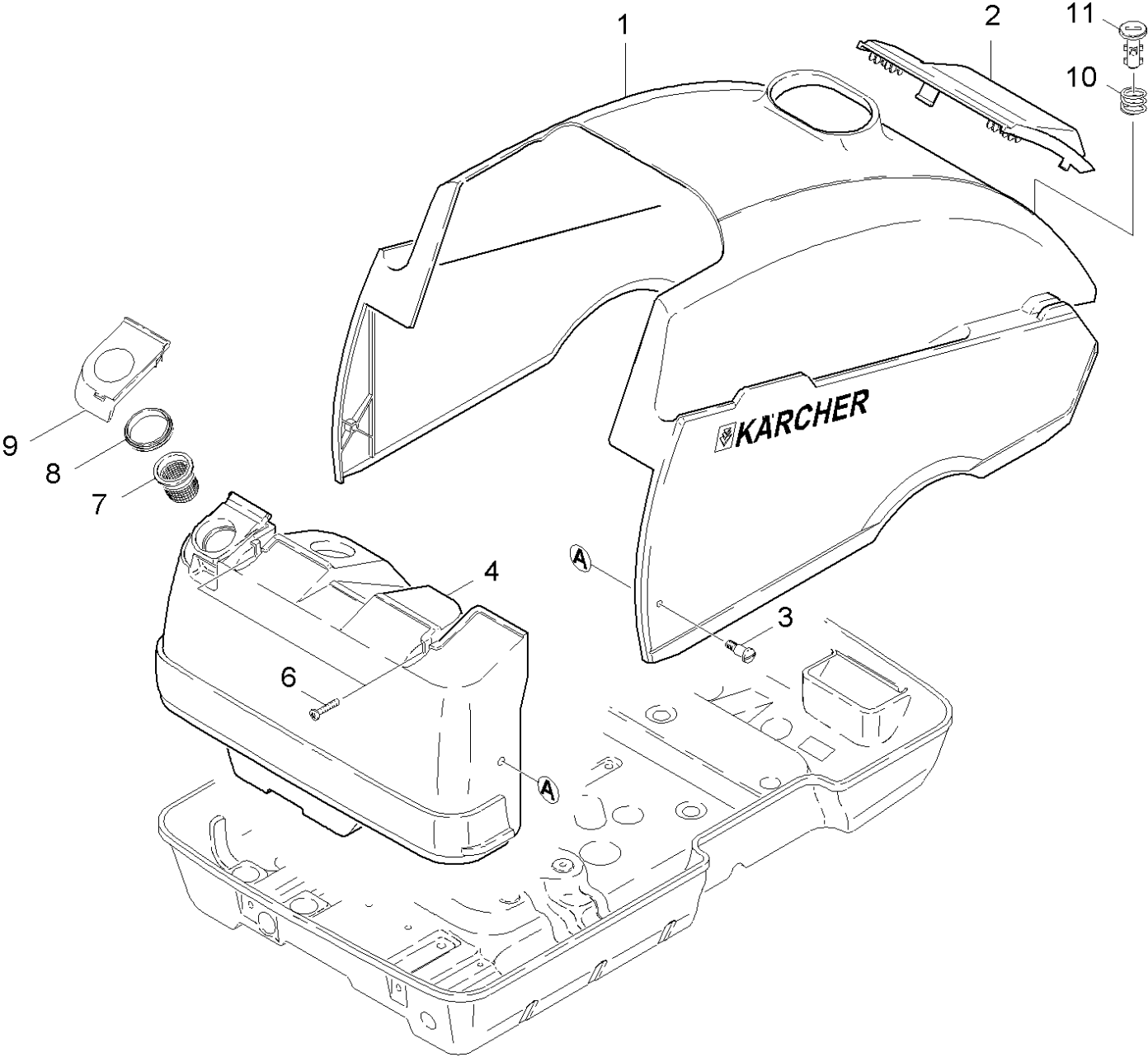
POS	Article no.	Description	Quantity	Unit
0	5.970-313.0	Spare parts list HDS 1195 S ECO	1	PC
Item text2: 10283330				

Spare parts list HDS 1195 S ECO (5.970-313.0)

POS	Description	Quantity	Unit
100	Accessories	1	PC
40	Blower	1	PC
110	Control panel	1	PC
60	Electric control box	1	PC
80	Float chest	1	PC
70	Flow heater	1	PC
50	Fuel system	1	PC
10	Housing	1	PC
30	Motor	1	PC
20	Pump set	1	PC
90	Safety system	1	PC

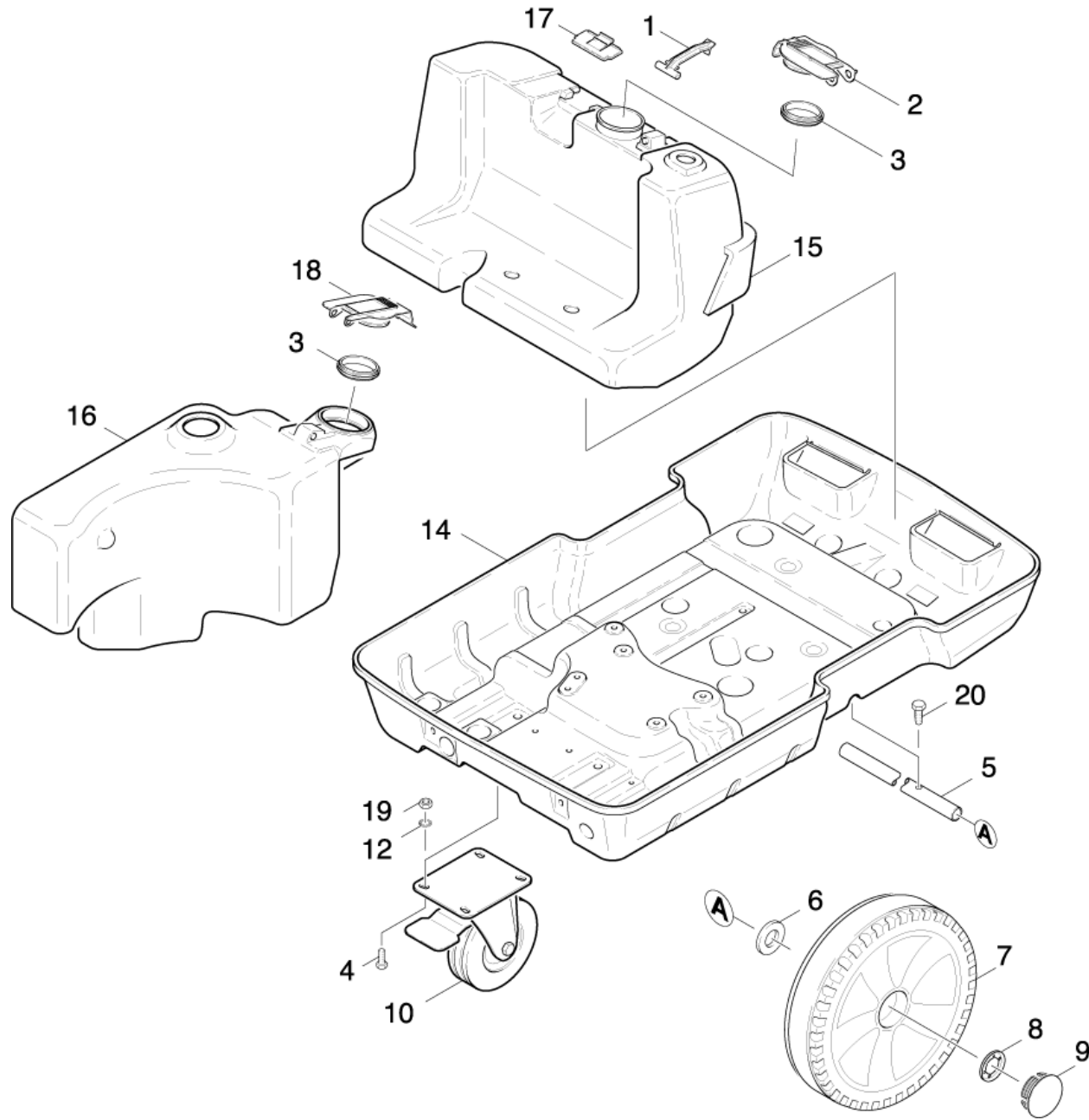
10 Housing

POS	Description	Quantity	Unit
12	Base frame	1	PC
11	Cover	1	PC
13	Handhold	1	PC



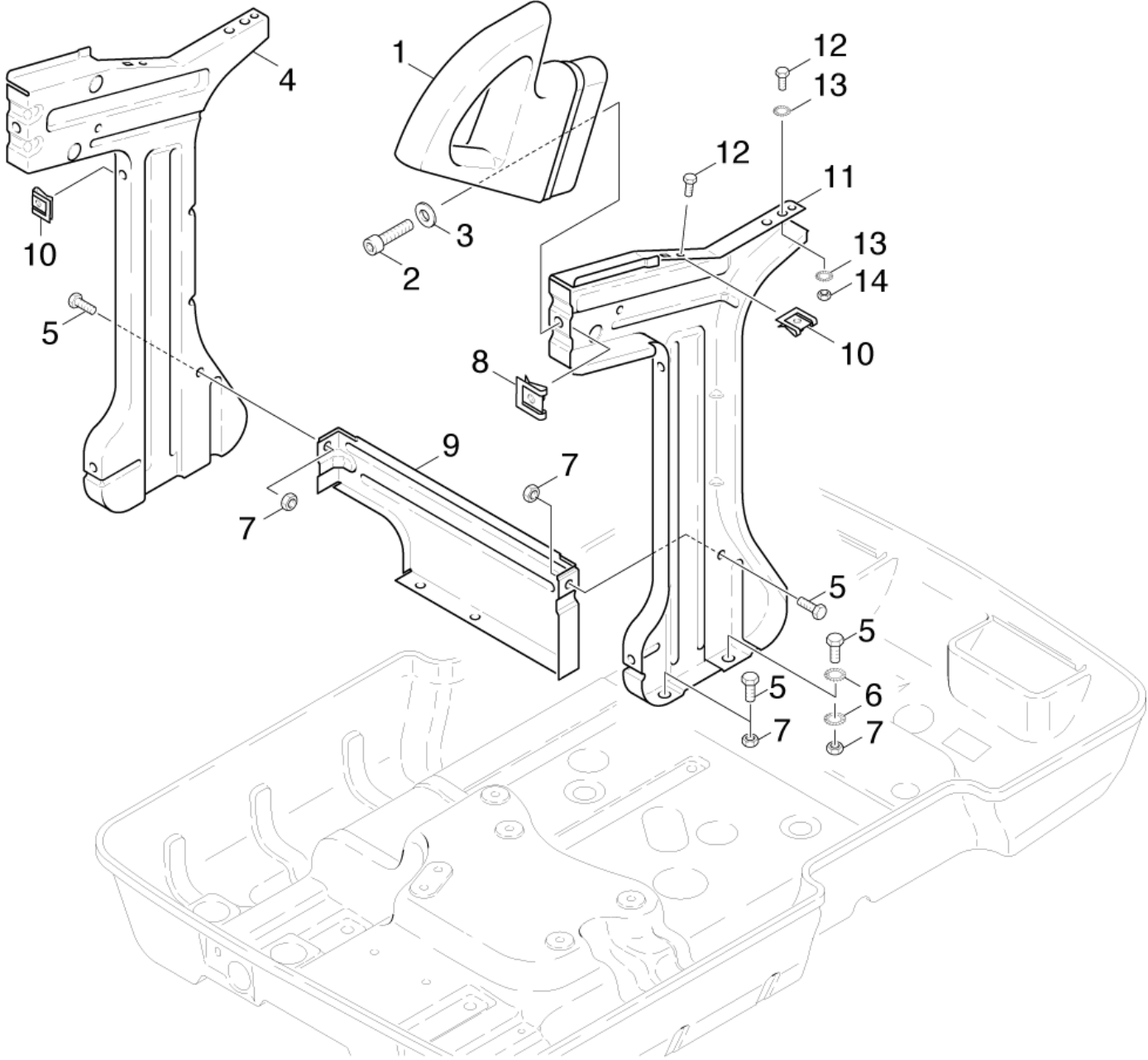
11 Cover

POS	Article no.	Description	Quantity	Unit
11	5.316-318.0	Bolt	1	PC
9	5.063-957.0	Cover	1	PC
1	4.066-006.0	Cover complete only for replacement	1	PC
7	5.731-039.0	Filter	1	PC
2	5.030-834.0	Flap	1	PC
10	5.332-236.0	Helical spring	1	PC
8	5.363-290.0	Joint ring	1	PC
3	5.305-204.0	Shaped screw	2	PC
6	7.777-999.0	Stockpiling discontinued	2	PC
4	5.071-048.0	Tank fuel	1	PC



12 Base frame

POS	Article no.	Description	Quantity	Unit
5	5.105-163.0	Axle	1	PC
10	6.435-071.0	Castor 125	1	PC
2	5.063-448.0	Cover	1	PC
18	5.063-467.0	Cover CHEM 2	1	PC
14	5.050-046.0	Frame	1	PC
4	7.304-395.0	Hexagonal head screw M8x16-8.8-A2E ISO	4	PC
20	7.311-004.0	Hexagon nut M8 -8-A3E ISO 4032	4	PC
1	5.042-463.0	Holder	1	PC
17	5.042-735.0	Holder	1	PC
3	5.363-300.0	Joint ring	2	PC
8	6.343-162.0	Lock washer -25	2	PC
19	6.303-031.0	Screw M8x16-ST-R2R DIN 7500-1	2	PC
9	2.889-086.0	Set wheel cap	2	PC
16	5.071-053.0	Tank chem II	1	PC
15	5.071-047.0	Tank chemistry	1	PC
12	7.312-166.0	Toothed lock washer A8,4-FSt-A3E DIN 6797	2	PC
6	7.312-060.0	Washer 24-100HV-A3E ISO 7091	2	PC
7	4.515-344.0	Wheel complete	2	PC

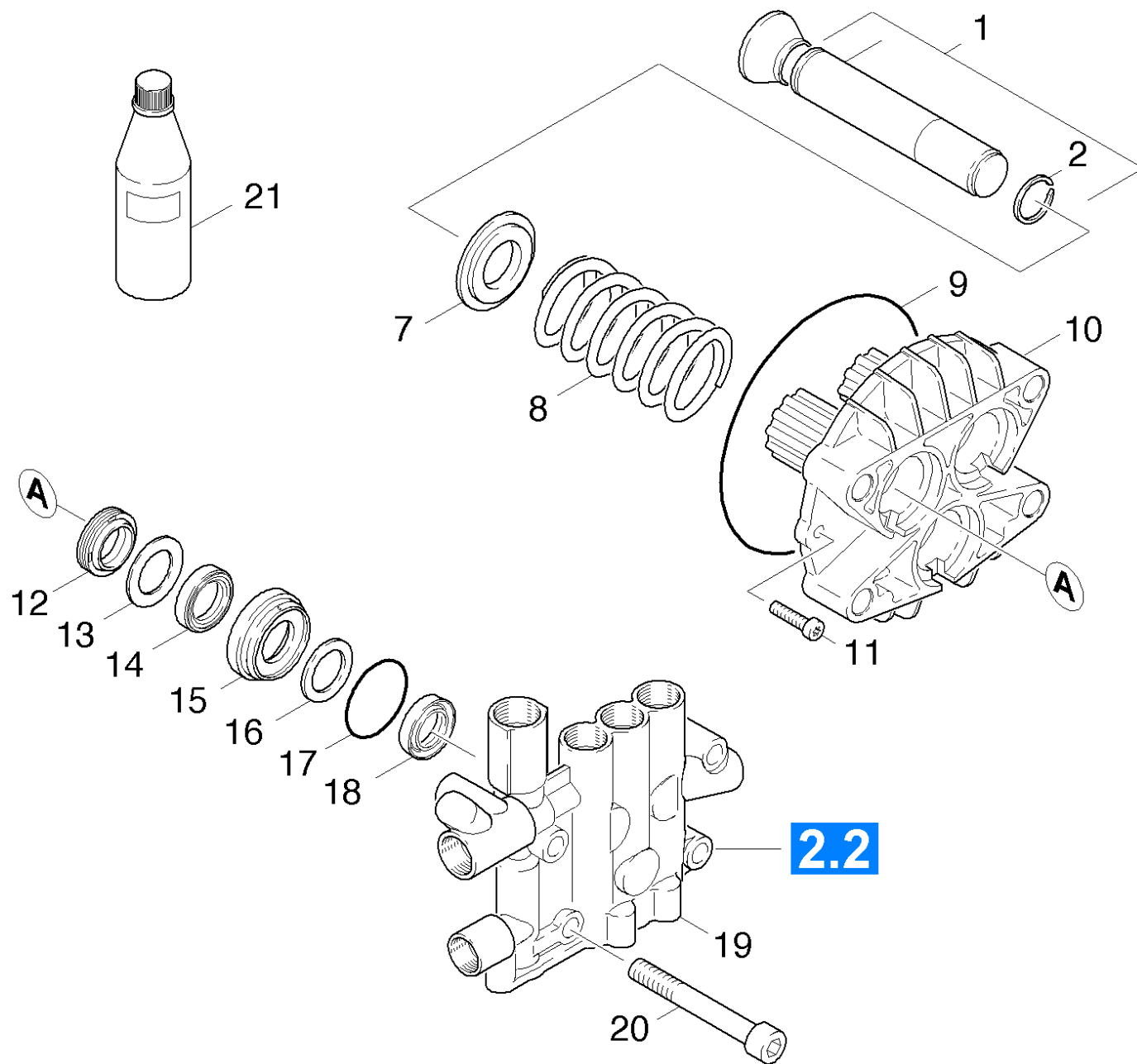


13 Handhold

POS	Article no.	Description	Quantity	Unit
2	7.306-049.0	Cylinder head screw M 8x45-8.8-A2E ISO	2	PC
12	7.304-382.0	Hexagonal head screw M 6x12-8.8-A2E ISO	4	PC
5	7.304-395.0	Hexagonal head screw M8x16-8.8-A2E ISO	6	PC
14	7.311-003.0	Hexagon nut M6 -8-A2E ISO 4032	2	PC
7	7.311-004.0	Hexagon nut M8 -8-A3E ISO 4032	6	PC
10	6.310-082.0	Putting nut M6	4	PC
8	6.310-083.0	Putting nut M8	2	PC
1	5.321-647.0	Sliding handle	2	PC
4	5.052-033.0	Stand left	1	PC
11	5.052-035.0	Stand right	1	PC
9	5.055-120.0	Stay	1	PC
13	7.312-167.0	Toothed lock washer A6,4-FSt-A3E DIN 6797	4	PC
6	7.312-166.0	Toothed lock washer A8,4-FSt-A3E DIN 6797	4	PC
3	7.312-004.0	Washer 8 -200HV-A3E ISO 7089	2	PC

20 Pump set

POS	Description	Quantity	Unit
22	Cylinder head	1	PC
21	Piston	1	PC
23	Switch	1	PC



21 Piston

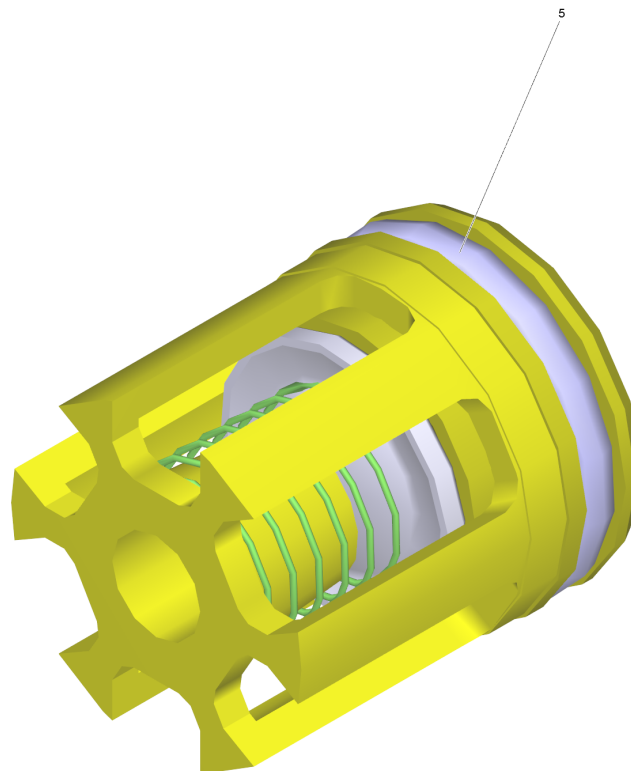
POS	Article no.	Description	Quantity	Unit
15	5.112-414.3	Bush	3	PC
14	6.365-056.0	Compact seal 22X32X6	3	PC
19	4.550-606.0	Cylinder head complete only for replacem	1	PC
20	7.306-155.0	Cylinder head screw M12x100 -8.8-A3E IS	4	PC
21	6.288-016.0	Gear oil 1L	1	PC
18	6.365-055.0	Grooved ring 22x30x5	3	PC
12	6.365-059.0	Grooved ring 22X30X6/8	3	PC
8	5.332-281.0	Helical spring	3	PC
10	5.060-397.3	Housing	1	PC
17	6.362-092.0	O-Ring seal 36,0 X 2,0-NBR 70	3	PC
9	6.362-796.0	O-Ring seal 107,62X 2,62	1	PC
1	4.553-283.0	Piston complete only for replacement	3	PC
1	4.553-283.3	Piston complete only for replacement	3	PC
11	7.306-105.0	Screw M6x30 -8.8-R3R (In6Rd)	2	PC
2	6.343-142.0	Snap ring WR 22	3	PC
100	2.883-914.0	Spare part set pump HDS 1295	1	PC
7	5.115-522.0	Washer	3	PC
13	5.115-520.0	Washer	3	PC
16	5.115-521.0	Washer	3	PC

1 Piston complete only for replacement (4.553-283.0)

POS	Article no.	Description	Quantity	Unit
7	6.288-016.0	Gear oil 1L	1	PC
6	6.376-036.0	Label spare parts neutrally 65x55 MM	1	ZST
2	5.560-022.0	Slide of a press	1	PC
5	6.591-052.0	Sliding collar 35, 120-200mm	1	PC
3	6.343-142.0	Snap ring WR 22	1	PC

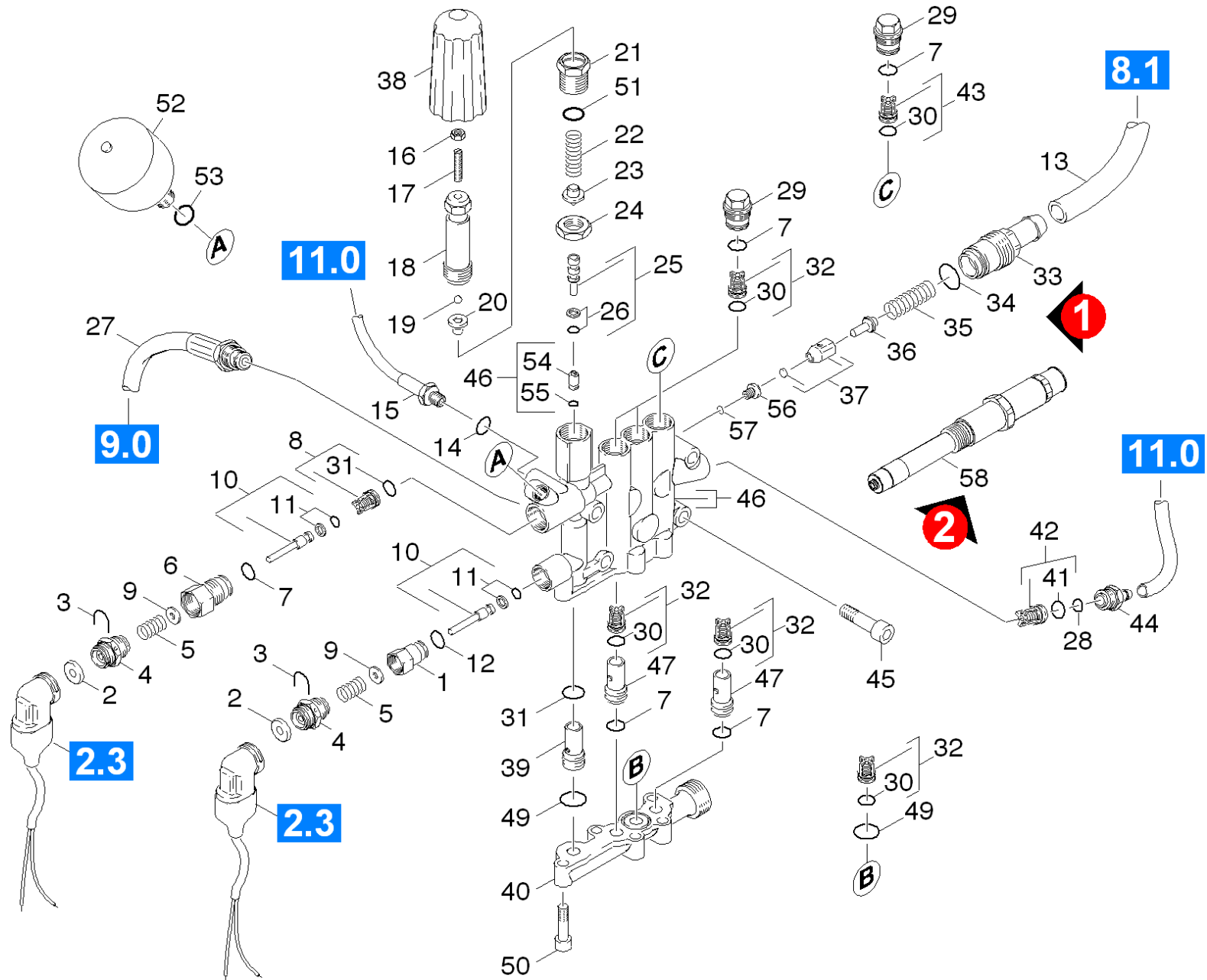
100 Spare part set pump HDS 1295 (2.883-914.0)

POS	Article no.	Description	Quantity	Unit
210	6.365-056.0	Compact seal 22X32X6	3	PC
200	6.365-055.0	Grooved ring 22x30x5	3	PC
220	6.365-059.0	Grooved ring 22X30X6/8	3	PC
110	6.362-151.0	O-Ring d. 10 x 2 NBR 70	1	PC
120	6.362-169.0	O-Ring seal 12,0 X 2,0	1	PC
190	6.363-003.0	O-Ring seal 13,0 X 2,0-NBR 90	6	PC
150	6.362-481.0	O-Ring seal 14,0 x 2,0 NBR 80	6	PC
170	6.362-547.0	O-Ring seal 20,0x1,5-NBR 70	2	PC
160	6.363-607.0	O-Ring seal 34,65 x 1,78 -NBR70	3	PC
180	6.362-796.0	O-Ring seal 107,62X 2,62	1	PC
130	6.363-037.0	O-Ring seal complete 1ST.-R.	2	PC
140	6.362-468.0	O-Ring seal complete 1ST.-R.	1	PC
60	5.034-494.0	Retaining bracket	2	PC
20	2.884-512.0	Valve (3 Stueck)	2	PC
10	4.580-262.0	Valve complete	1	PC
30	4.580-349.0	Valve complete chemistry	1	PC
50	4.582-019.0	Valve disc complete	1	PC
100	5.584-122.0	Valve pin	1	PC
70	5.115-520.0	Washer	3	PC
80	5.115-521.0	Washer	3	PC
90	5.115-796.0	Washer	2	PC



20 Valve (3 Stueck) (2.884-512.0)

POS	Article no.	Description	Quantity	Unit
5	6.363-003.0	O-Ring seal 13,0 X 2,0-NBR 90	1	PC

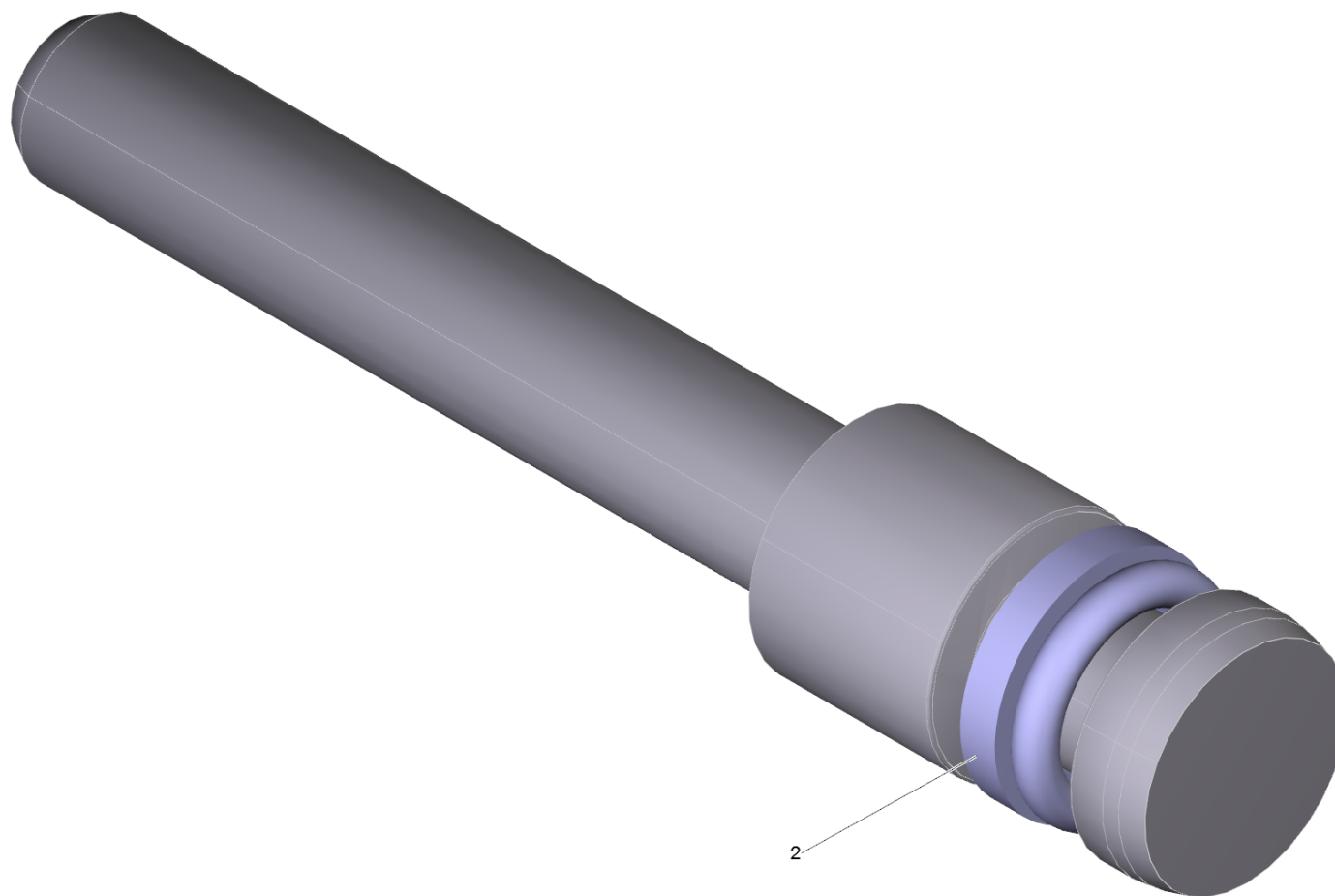


22 Cylinder head

POS	Article no.	Description	Quantity	Unit	Remark	Foot note text
46	4.550-606.0	Cylinder head complete only for replacem	1	PC		
50	7.306-043.0	Cylinder head screw M8x30 -8.8-A2E ISO	5	PC		
45	7.306-155.0	Cylinder head screw M12x100 -8.8-A3E IS	4	PC		
2	5.367-003.0	Diaphragm	2	PC		
38	5.322-103.0	Handle	1	PC		
5	5.332-268.0	Helical spring	2	PC		
22	5.332-444.0	Helical spring	1	PC		
35	5.332-473.0	Helical spring	1	PC	VERSION 1	
18	5.304-070.0	Hexagonal head screw	1	PC		
16	7.311-002.0	Hexagon nut M5 -6-A2E ISO 4032	1	PC		
24	5.311-204.0	Hexagon nut M22x1,5	1	PC		
27	6.391-596.0	High pressure hose DN 13	1	PC		
15	6.389-635.0	High pressure hose pressure gauge	1	PC		
21	5.404-082.0	Hollow screw	1	PC		
13	6.388-167.0	Hose DN15	1	m		TO ORDER AS CUT GOODS
44	5.443-474.0	Hose stem	1	PC		
1	5.402-705.3	Joining piece	1	PC		
14	7.362-003.0	Joint ring A10x13,5 -Cu DIN 7603	1	PC		
28	6.362-151.0	O-Ring d. 10 x 2 NBR 70	1	PC		
12	6.362-853.0	O-Ring seal 4,47x1,78	1	PC		
55	6.362-386.0	O-Ring seal 5,0 x 1,5-NBR 80	1	PC		
57	6.362-703.0	O-Ring seal 6,0x1,5-NBR 70	1	PC	VERSION 1	
53	6.362-176.0	O-Ring seal 6,07x1,78	1	PC		
41	6.362-077.0	O-Ring seal 10 x 2,2 NBR 70	1	PC		
34	6.362-169.0	O-Ring seal 12,0 X 2,0	1	PC	VERSION 1	
30	6.363-003.0	O-Ring seal 13,0 X 2,0-NBR 90	6	PC		
31	6.362-381.0	O-Ring seal 13x2 - NBR 70	2	PC		
7	6.362-481.0	O-Ring seal 14,0 x 2,0 NBR 80	6	PC		
51	6.362-079.0	O-Ring seal 18,0 X 2,5	1	PC		
49	6.362-547.0	O-Ring seal 20,0x1,5-NBR 70	2	PC		
11	6.363-037.0	O-Ring seal complete 1ST.-R.	2	PC		

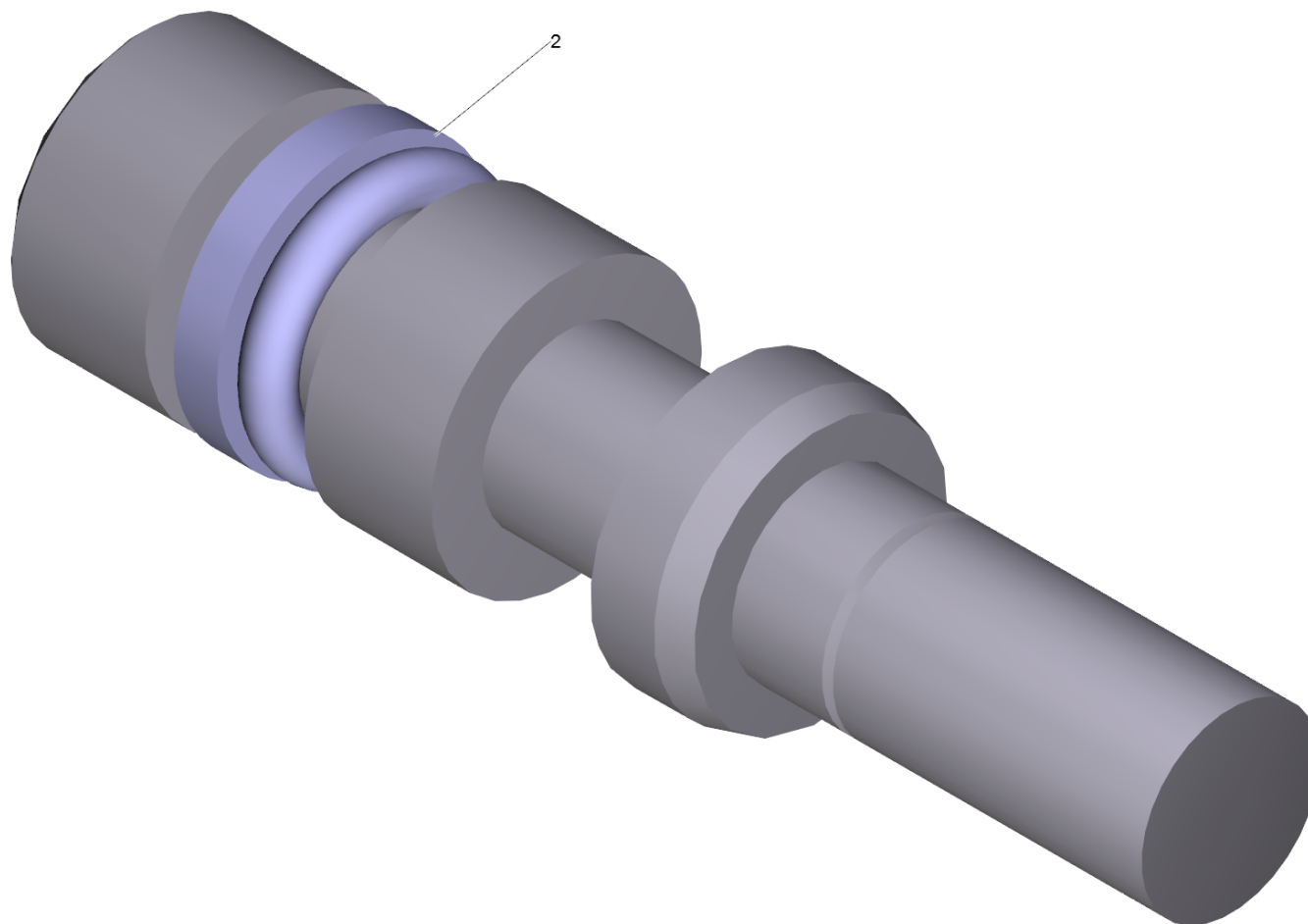
22 Cylinder head

POS	Article no.	Description	Quantity	Unit	Remark	Foot note text
26	6.362-468.0	O-Ring seal complete 1ST.-R.	1	PC		
10	4.553-197.0	Piston complete only for replacement	2	PC		
25	4.553-198.0	Piston complete only for replacement	1	PC		
52	6.505-054.0	Pressure accumulator	1	PC		
3	5.034-494.0	Retaining bracket	2	PC		
58	4.580-727.0	Safety valve kpl. Ersatz	1	PC	pos.57 mitbestellen / order pos.57 also	VERSION 2
4	5.411-148.0	Screw plug	2	PC		
39	5.110-867.0	Sleeve	1	PC		
47	5.110-853.0	Sleeve	2	PC		
100	2.883-914.0	Spare part set pump HDS 1295	1	PC		
19	7.401-931.0	Sphere 5 KI3 -1.4401 DIN 5401	1	PC		
17	7.307-017.0	Threaded pin M5x40 -St-45H-A2E ISO 4026	1	PC		
32	2.884-512.0	Valve (3 Stueck)	1	PC		
8	4.580-262.0	Valve complete	1	PC		
42	4.580-349.0	Valve complete chemistry	1	PC		
20	5.582-121.0	Valve disc	1	PC		
37	4.582-019.0	Valve disc complete	1	PC	VERSION 1	
40	5.587-202.0	Valve housing	1	PC		
23	5.584-114.0	Valve pin	1	PC		
36	5.584-122.0	Valve pin	1	PC	VERSION 1	
6	5.583-161.0	Valve screw	1	PC		
29	5.583-146.3	Valve screw	3	PC		
33	5.583-168.0	Valve screw safety valve	1	PC	VERSION 1	
54	5.581-239.0	Valve seat	1	PC		
56	5.581-231.0	Valve seat	1	PC	VERSION 1	
43	4.580-589.0	Valve with slot	1	PC		
9	5.115-796.0	Washer	2	PC		



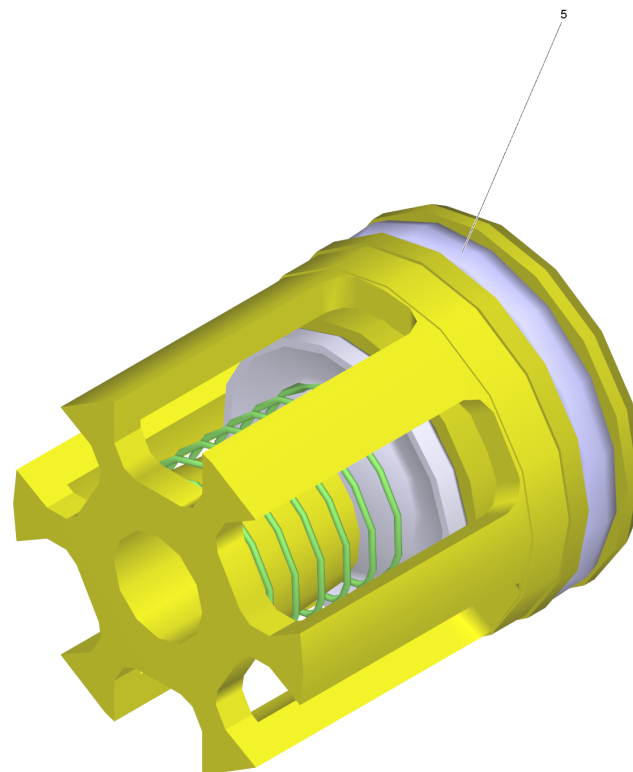
10 Piston complete only for replacement (4.553-197.0)

POS	Article no.	Description	Quantity	Unit
2	6.363-037.0	O-Ring seal complete 1ST.-R.	1	PC



25 Piston complete only for replacement (4.553-198.0)

POS	Article no.	Description	Quantity	Unit
2	6.362-468.0	O-Ring seal complete 1ST.-R.	1	PC

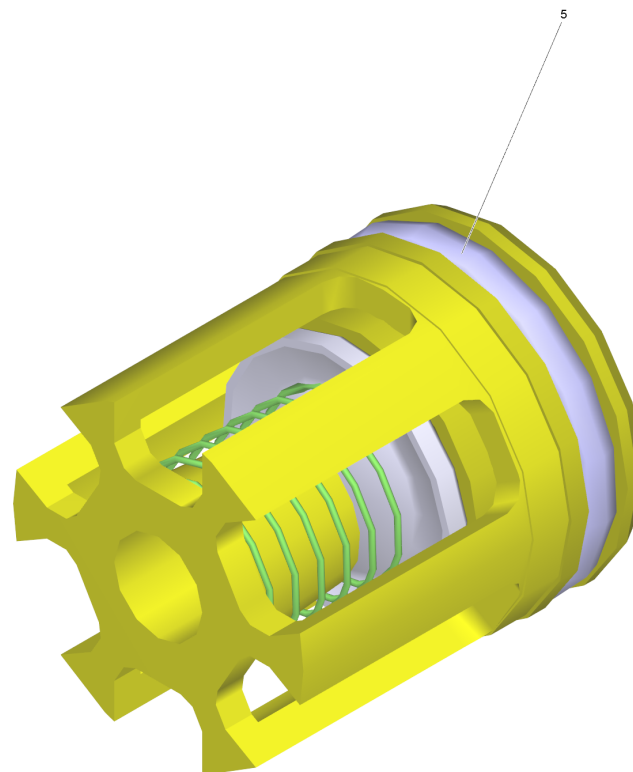


32 Valve (3 Stueck) (2.884-512.0)

POS	Article no.	Description	Quantity	Unit
5	6.363-003.0	O-Ring seal 13,0 X 2,0-NBR 90	1	PC

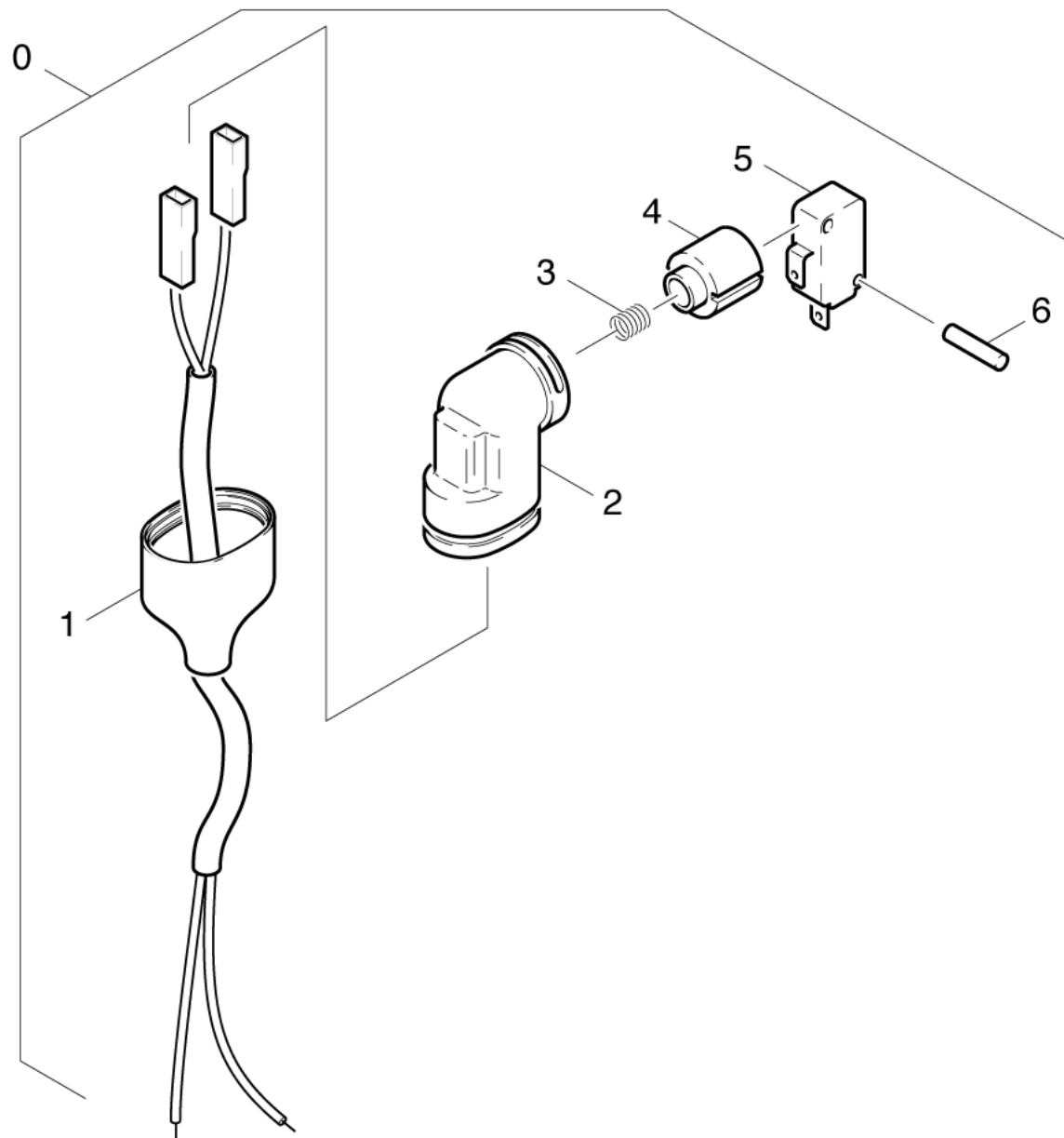
100 Spare part set pump HDS 1295 (2.883-914.0)

POS	Article no.	Description	Quantity	Unit
210	6.365-056.0	Compact seal 22X32X6	3	PC
200	6.365-055.0	Grooved ring 22x30x5	3	PC
220	6.365-059.0	Grooved ring 22X30X6/8	3	PC
110	6.362-151.0	O-Ring d. 10 x 2 NBR 70	1	PC
120	6.362-169.0	O-Ring seal 12,0 X 2,0	1	PC
190	6.363-003.0	O-Ring seal 13,0 X 2,0-NBR 90	6	PC
150	6.362-481.0	O-Ring seal 14,0 x 2,0 NBR 80	6	PC
170	6.362-547.0	O-Ring seal 20,0x1,5-NBR 70	2	PC
160	6.363-607.0	O-Ring seal 34,65 x 1,78 -NBR70	3	PC
180	6.362-796.0	O-Ring seal 107,62X 2,62	1	PC
130	6.363-037.0	O-Ring seal complete 1ST.-R.	2	PC
140	6.362-468.0	O-Ring seal complete 1ST.-R.	1	PC
60	5.034-494.0	Retaining bracket	2	PC
20	2.884-512.0	Valve (3 Stueck)	2	PC
10	4.580-262.0	Valve complete	1	PC
30	4.580-349.0	Valve complete chemistry	1	PC
50	4.582-019.0	Valve disc complete	1	PC
100	5.584-122.0	Valve pin	1	PC
70	5.115-520.0	Washer	3	PC
80	5.115-521.0	Washer	3	PC
90	5.115-796.0	Washer	2	PC



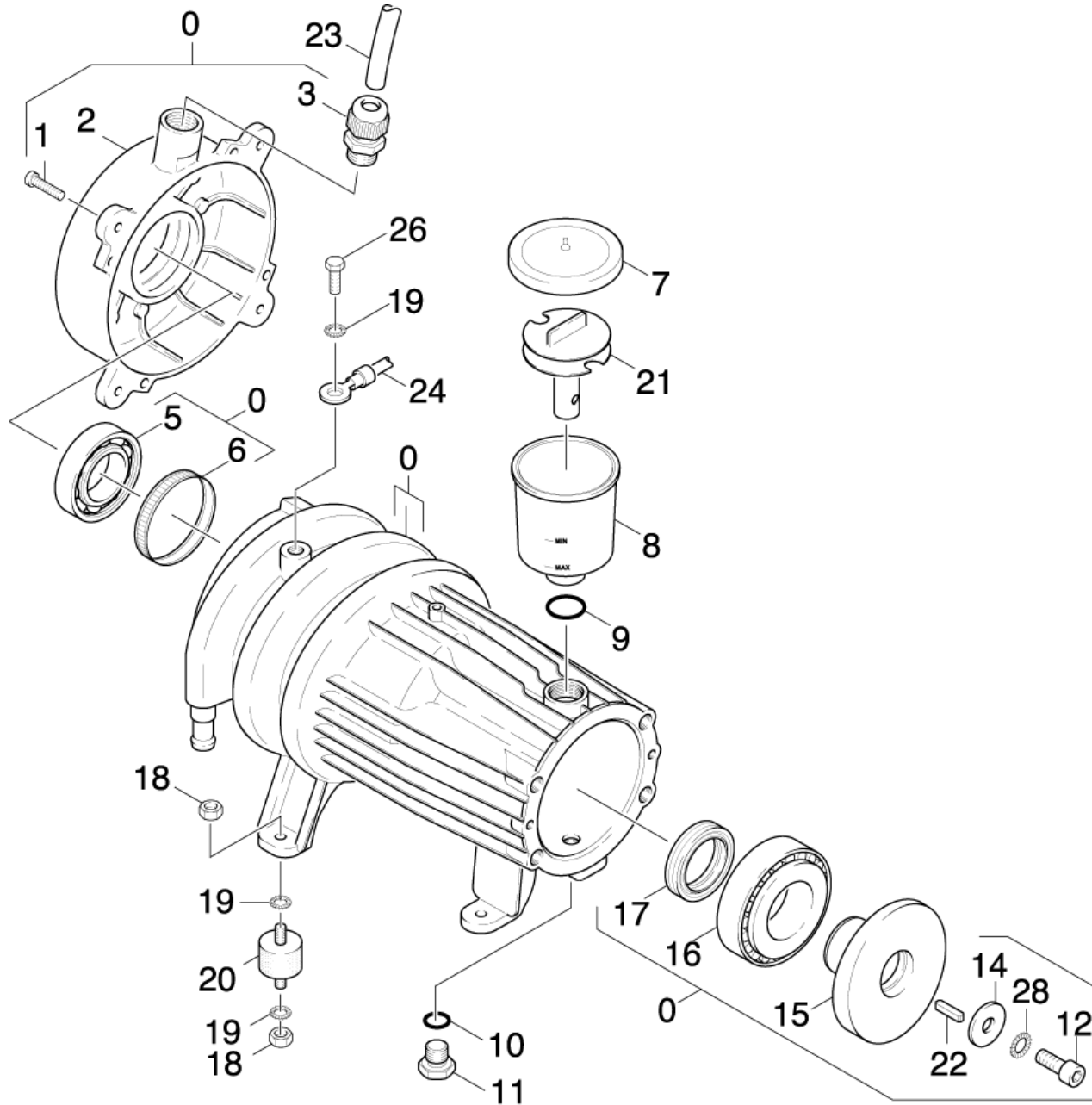
20 Valve (3 Stueck) (2.884-512.0)

POS	Article no.	Description	Quantity	Unit
5	6.363-003.0	O-Ring seal 13,0 X 2,0-NBR 90	1	PC



23 Switch

POS	Article no.	Description	Quantity	Unit
4	5.053-051.0	Bracket	1	PC
1	6.648-111.0	Control cable	1	PC
2	5.042-860.0	Holder	1	PC
5	6.631-070.0	microswitch	1	PC
3	5.332-322.0	Spring	1	PC
6	7.314-664.0	Straight grooved pin 3,0x20-KU ISO 8740	1	PC
0	4.744-001.0	Switch complete -nur fuer Ersatz-	2	PC



30 Motor

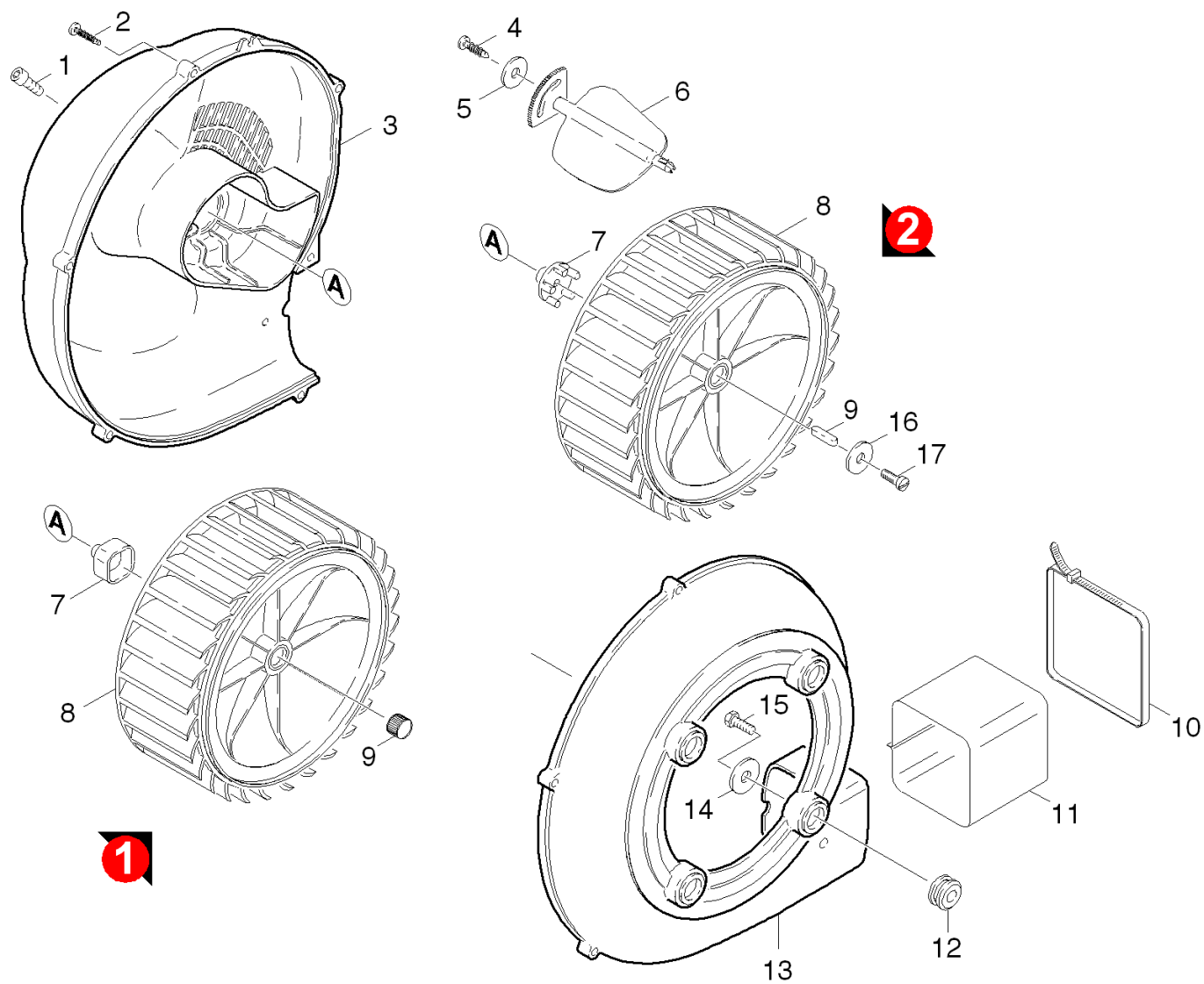
POS	Article no.	Description	Quantity	Unit	Foot note text
5	6.401-253.0	Ball bearing 6305-2Z	1	PC	
8	5.070-048.0	Box	1	PC	
3	6.641-356.0	Cable gland PG16	1	PC	
24	4.820-430.0	Cable green/yellow 1,5mm ² x450mm	1	PC	
2	5.063-452.0	Cover	1	PC	
7	5.064-459.0	Cover grey	1	PC	
12	7.306-041.0	Cylinder head screw M8x20 -8.8-A2E ISO	1	PC	
18	7.311-004.0	Hexagon nut M8 -8-A3E ISO 4032	8	PC	
23	6.642-011.0	Insulating hose 10	2	m	TO ORDER AS CUT GOODS
0	4.623-758.0	Motor complete only for replacement	1	PC	FOR BLOWER (GR. 4.0) VERSION 2
	Item text1: /1.028-337.0 /-339.0 /-343.0 /-353.0 /				
0	4.623-762.0	Motor complete only for replacement	1	PC	FOR BLOWER (GR. 4.0) VERSION 2
	Item text1: / 1.028-338.0 / -354.0				
0	4.623-766.0	Motor complete only for replacement	1	PC	FOR BLOWER (GR. 4.0) VERSION 2
	Item text1: 1.028-340.0				
0	4.623-904.0	Motor complete only for replacement	1	PC	FOR BLOWER (GR. 4.0) VERSION 2
	Item text1: 1.028-355.0				
21	5.030-389.0	Moulded part	1	PC	
10	6.363-273.0	O-Ring seal 11,0 x 2,0	1	PC	
9	6.362-168.0	O-Ring seal 22,3 X 2,4-NBR 70	1	PC	
22	7.318-035.0	Parallel key 8x7x25 -C45K DIN 6885-1	1	PC	
17	7.367-009.0	Radial shaft seal ring A35x52x7-NBR DIN	1	PC	
20	6.339-060.0	Rubber buffer M8	4	PC	
1	7.303-048.0	Screw M6x20 -St-R3R (In6Rd)	4	PC	
26	6.303-031.0	Screw M8x16-ST-R2R DIN 7500-1	1	PC	
11	5.411-100.0	Screw plug	1	PC	
16	6.401-225.3	Taper roller bearing 41	1	PC	
6	6.343-010.0	Tolerance ring 62x10	1	PC	
19	7.312-166.0	Toothed lock washer A8,4-FSt-A3E DIN 6797	9	PC	
28	7.312-166.0	Toothed lock washer A8,4-FSt-A3E DIN 6797	1	PC	
14	5.115-565.0	Washer	1	PC	
15	5.120-235.3	Wobble plate	1	PC	
15	5.120-380.0	Wobble plate	1	PC	

30 Motor

POS	Article no.	Description	Quantity	Unit	Foot note text
	Item text1: 1.028-355.0				

15 Wobble plate (5.120-235.3)

POS	Article no.	Description	Quantity	Unit
4	6.376-036.0	Label spare parts neutrally 65x55 MM	1	ZST
2	6.590-355.0	LDPE bag 130x140 mm	1	PC

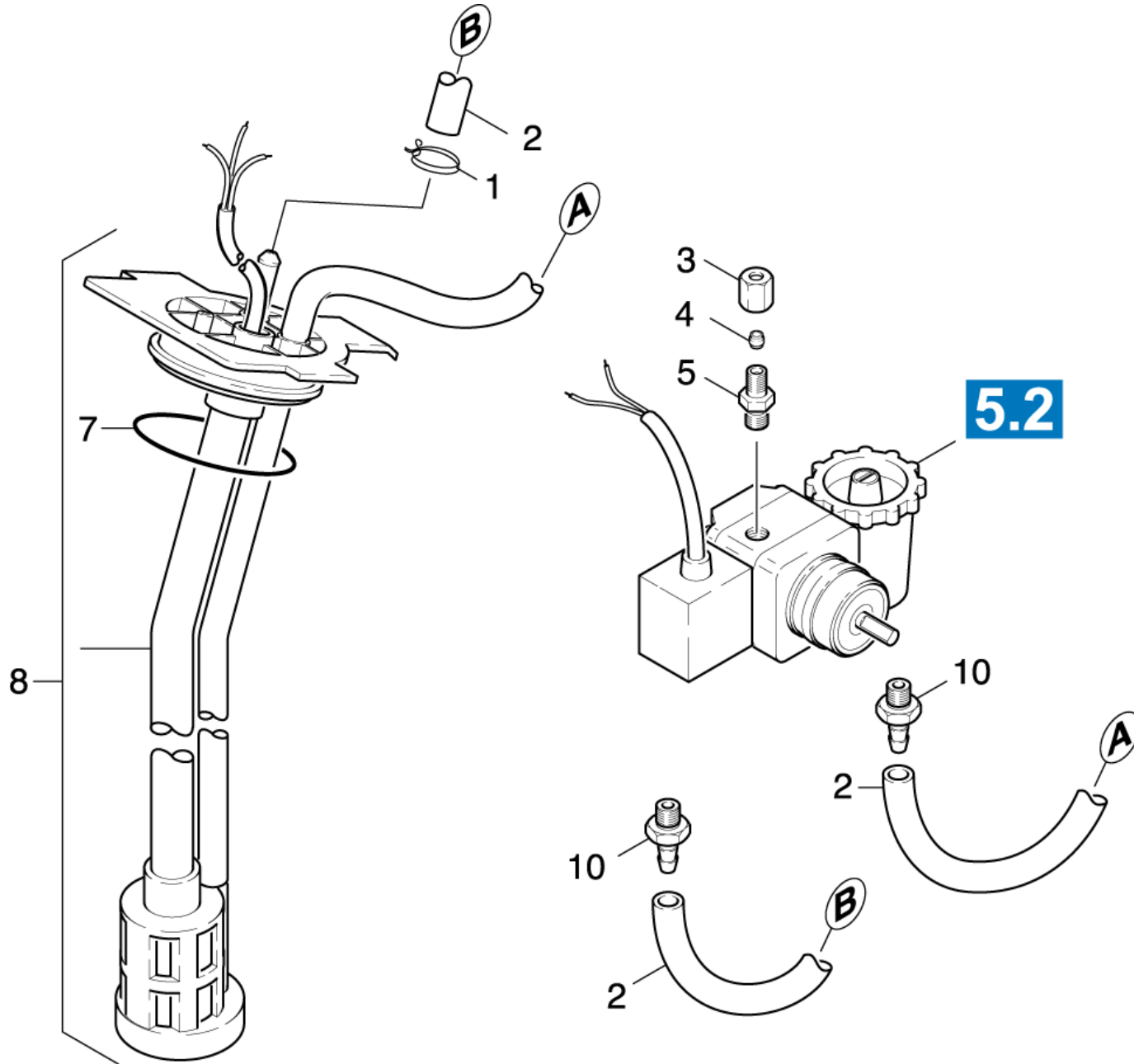


40 Blower

POS	Article no.	Description	Quantity	Unit	Foot note text
6	5.606-005.0	Air flap	1	PC	
8	5.600-045.0	Blower wheel	1	PC	VERSION 1
8	5.600-080.0	Blower wheel with groove	1	PC	VERSION 2
11	5.178-026.0	Cloth collar	1	PC	
7	5.471-097.0	Coupler fuel pump	1	PC	VERSION 2
7	5.471-060.0	Coupling element	1	PC	VERSION 1
3	5.063-457.0	Cover blower	1	PC	
13	5.605-168.0	Housing blower	1	PC	
9	7.318-058.0	Parallel key 4x4x20-1.4301 DIN 6885	1	PC	VERSION 2
12	5.379-019.0	Rubber ring	4	PC	
2	7.303-084.0	Screw 4x25 -10.9-R2R (K-In6Rd)	6	PC	
17	7.306-071.0	Screw M5x10 -8.8-R2R (In6Rd)	1	PC	VERSION 2
1	7.306-090.0	Screw M6x16 -8.8-P2R (In6Rd)	1	PC	
15	7.303-048.0	Screw M6x20 -St-R3R (In6Rd)	4	PC	
4	7.303-077.0	Sheet metal screw ST4,8X16-ST-R2R (IN6R	1	PC	
10	6.388-608.0	Tightening strap	2	PC	
9	6.343-027.0	Tolerance ring D17X16	1	PC	VERSION 1
16	7.312-264.0	Washer 5-100HV-A3E ISO 7094	1	PC	VERSION 2
5	7.312-278.0	Washer 5-200HV-A2E ISO7093-1	1	PC	
14	7.312-260.0	Washer 6-100HV-A3E ISO 7094	4	PC	

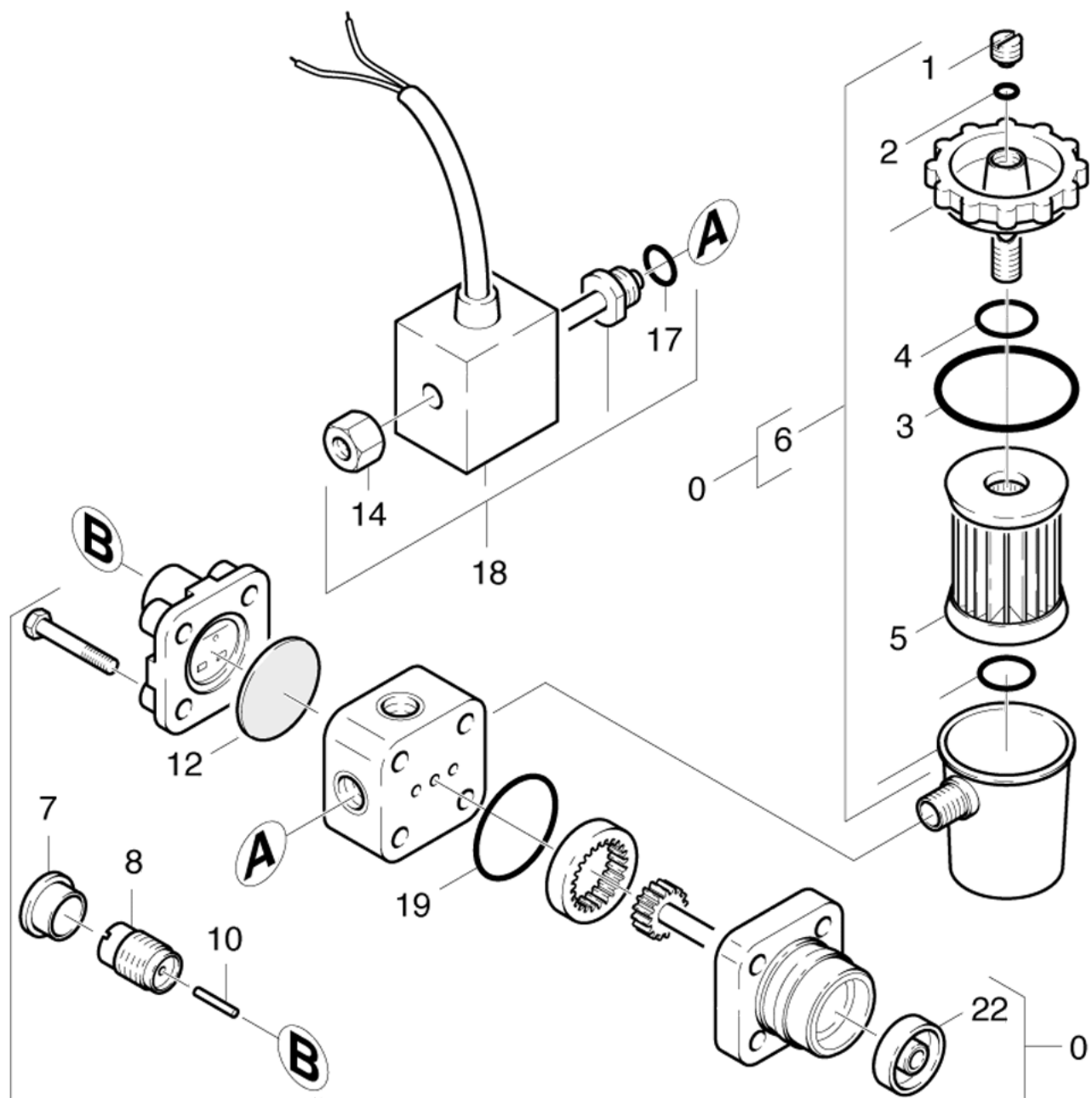
50 Fuel system

POS	Description	Quantity	Unit
52	Fuel pump	1	PC
51	Fuel pump aspiration	1	PC



51 Fuel pump aspiration

POS	Article no.	Description	Quantity	Unit	Foot note text
4	6.389-263.0	Cutting ring d.4	1	PC	
2	6.389-534.0	Hose	1	m	TO ORDER AS CUT GOODS
1	6.389-768.0	Hose clip	1	PC	
10	6.472-927.0	Hose stem only for replacement	2	PC	
7	6.362-855.0	O-Ring seal 56,0 X 4,0	1	PC	
8	4.421-631.0	Pipelines BR.ST.	1	PC	
5	6.389-261.0	Screw union	1	PC	
3	6.389-262.0	Union nut A 4-LL	1	PC	

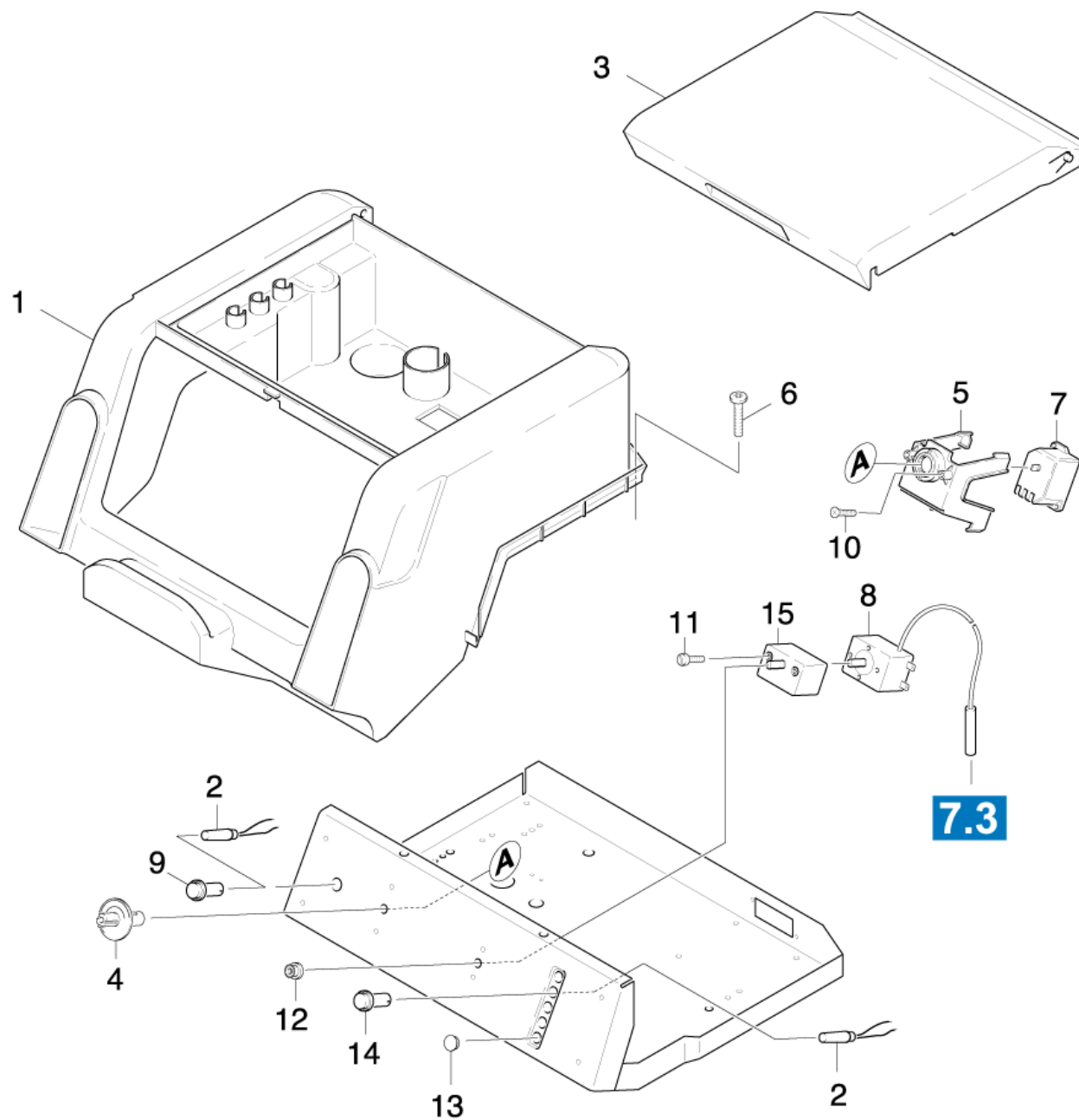


52 Fuel pump

POS	Article no.	Description	Quantity	Unit
12	6.472-128.0	Diaphragm	1	PC
5	6.472-113.0	Filter cartridge	1	PC
6	6.472-123.0	Filter housing complete	1	PC
8	6.472-109.0	Housing spring	1	PC
14	6.472-340.0	Knurled nut	1	PC
2	6.472-106.0	O-Ring seal 5,0 X 1,8	1	PC
4	6.472-112.0	O-Ring seal 10,0 x 2,4 NBR 70	1	PC
17	6.472-125.0	O-Ring seal 12,0 X 1,5	1	PC
19	6.472-120.0	O-Ring seal 28,5 X 1,6	1	PC
3	6.472-111.0	O-Ring seal 32,0 X 1,6	1	PC
10	6.472-108.0	Pin	1	PC
7	6.472-122.0	Protecting cap	1	PC
0	6.472-925.0	Pump oil burner only for replacement	1	PC
1	6.472-107.0	Screw ventilation	1	PC
22	6.472-105.0	Seal axle	1	PC
18	6.472-411.0	Solenoid valve	1	PC

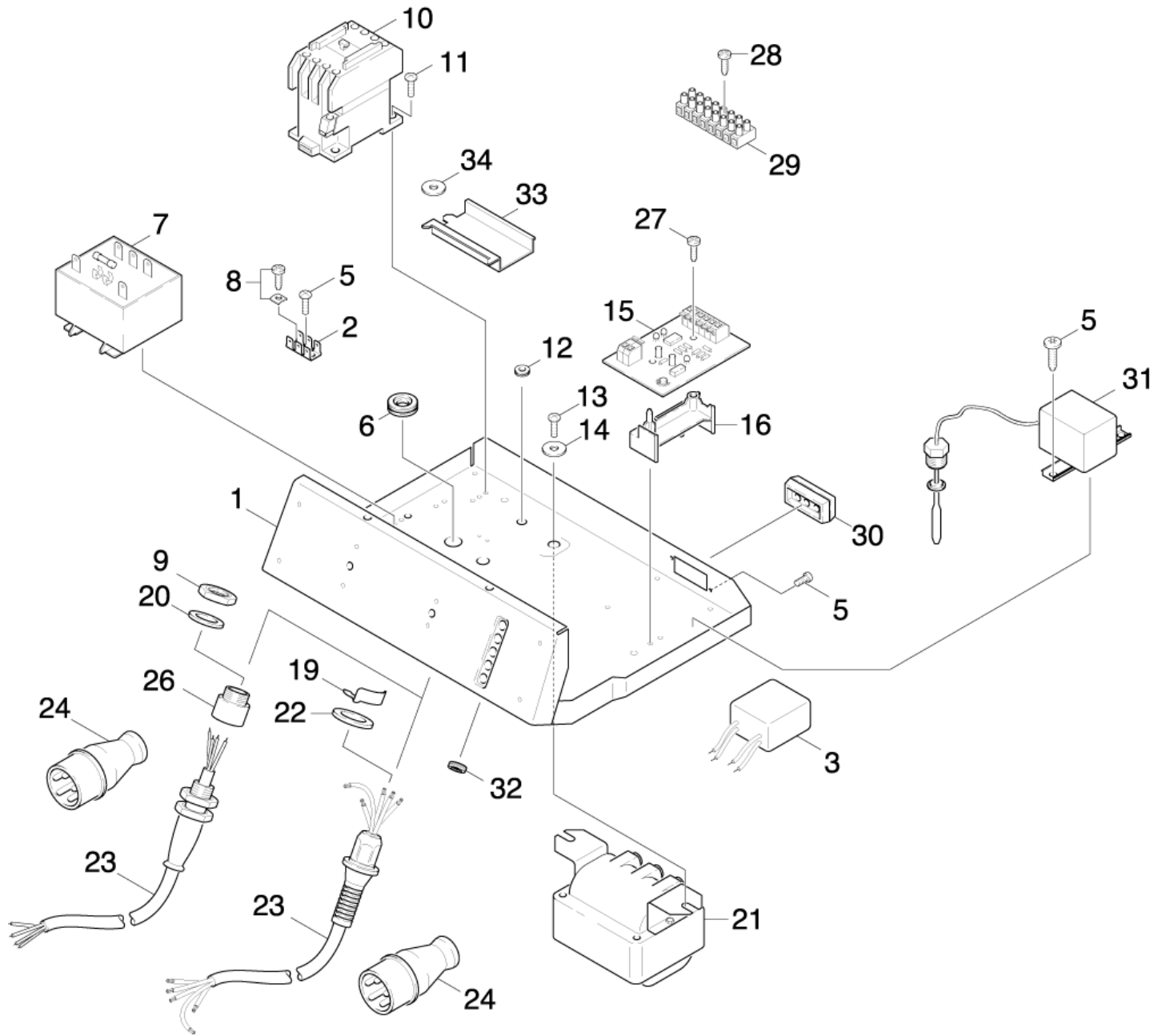
60 Electric control box

POS	Description	Quantity	Unit
62	Bottom part	1	PC
61	Top part	1	PC



61 Top part

POS	Article no.	Description	Quantity	Unit
10	7.303-125.0	Countersunk screw 4x16 -10.9-R2R (In6Rd)	2	PC
1	5.067-198.0	Cover	1	PC
3	5.031-914.0	Flap	1	PC
5	5.044-412.0	Holder (CONDOR-SCHAER)	1	PC
9	6.651-421.0	Lens housing green	1	PC
14	6.651-316.0	Lens housing red	3	PC
7	6.631-196.0	Motor protecting switch	1	PC
	Item text1: / 1.028-337.0 / -339.0 / -343.0 / -353.0			
	Item text2: /-355.0			
7	6.631-428.0	Motor protecting switch -22-27A	1	PC
	Item text1: / 1.028-338.0 / -340.0/ -354.0 /			
13	6.368-076.0	Ornamental hub cap D10/D12	2	PC
2	4.651-026.0	Pilot lamp only for replacement	4	PC
12	5.365-152.0	Profile gasket	1	PC
11	7.306-236.0	Screw M4x6 -8.8 (In6Rd)	2	PC
6	7.303-045.0	Screw M5x55 -St-ZNBHL (In6Rd)	2	PC
4	5.100-335.0	Shaft switch CONDOR	1	PC
15	6.630-368.0	Switch	1	PC
8	6.686-173.0	Thermostat	1	PC
8	6.686-414.0	Thermostat	1	PC
	Item text1: 1.028-355.0			



62 Bottom part

POS	Article no.	Description	Quantity	Unit
26	6.641-639.0	Adaptor PG16/21	1	PC
	Item text1: / 1.028-338.0 / -340.0 / -354.0 /			
23	6.647-308.0	Cable	1	PC
	Item text1: / 1.028-338.0 / -340.0 / -354.0 /			
23	6.648-514.0	Cable complete .4X2,5	1	PC
	Item text1: / 1.028-337.0 / -339.0 / -343.0 / -353.0			
	Item text2: / -355.0 /			
10	6.632-356.0	Contacteur LC1-D18 B7	1	PC
7	4.622-018.0	Control transformer -nur für Ersatz-	1	PC
	Item text1: / 1.028-338.0 / -340.0 / -354.0 /			
7	6.622-241.0	Control transformer 400V	1	PC
	Item text1: / 1.028-337.0 / -339.0 / -343.0 / -353.0			
	Item text2: / -355.0 /			
31	2.885-260.0	Conversion kit temperature limiter	1	PC
24	6.646-266.0	Coupler plug	1	PC
	Item text1: / 1.028-337.0 / -353.0 / -355.0 /			
21	6.622-167.0	Ignition transformer 230V	1	PC
	Item text1: 1.028-340.0			
21	4.622-033.0	Ignition transformer only for replacemen	1	PC
	Item text1: / 1.028-338.0 / -354.0			
3	6.661-229.0	Interference suppressor	1	PC
19	6.343-186.0	Locking ring	1	PC
	Item text1: / 1.028-337.0 / -339.0 / -343.0 / -353.0			
	Item text2: / -355.0 /			
9	6.641-484.0	Locknut PG16	1	PC
	Item text1: / 1.028-338.0 / -340.0 / -354.0 /			
30	5.030-931.0	Moulded part	1	PC
33	5.802-300.0	Mounting part	1	PC
2	6.641-270.0	Plug	1	PC
24	6.646-356.0	Plug CEE-32A	1	PC
	Item text1: / 1.028-338.0 / -340.0 / -354.0 /			
6	5.365-158.0	Profile gasket	1	PC
32	5.365-109.0	Profile gasket	1	PC

62 Bottom part

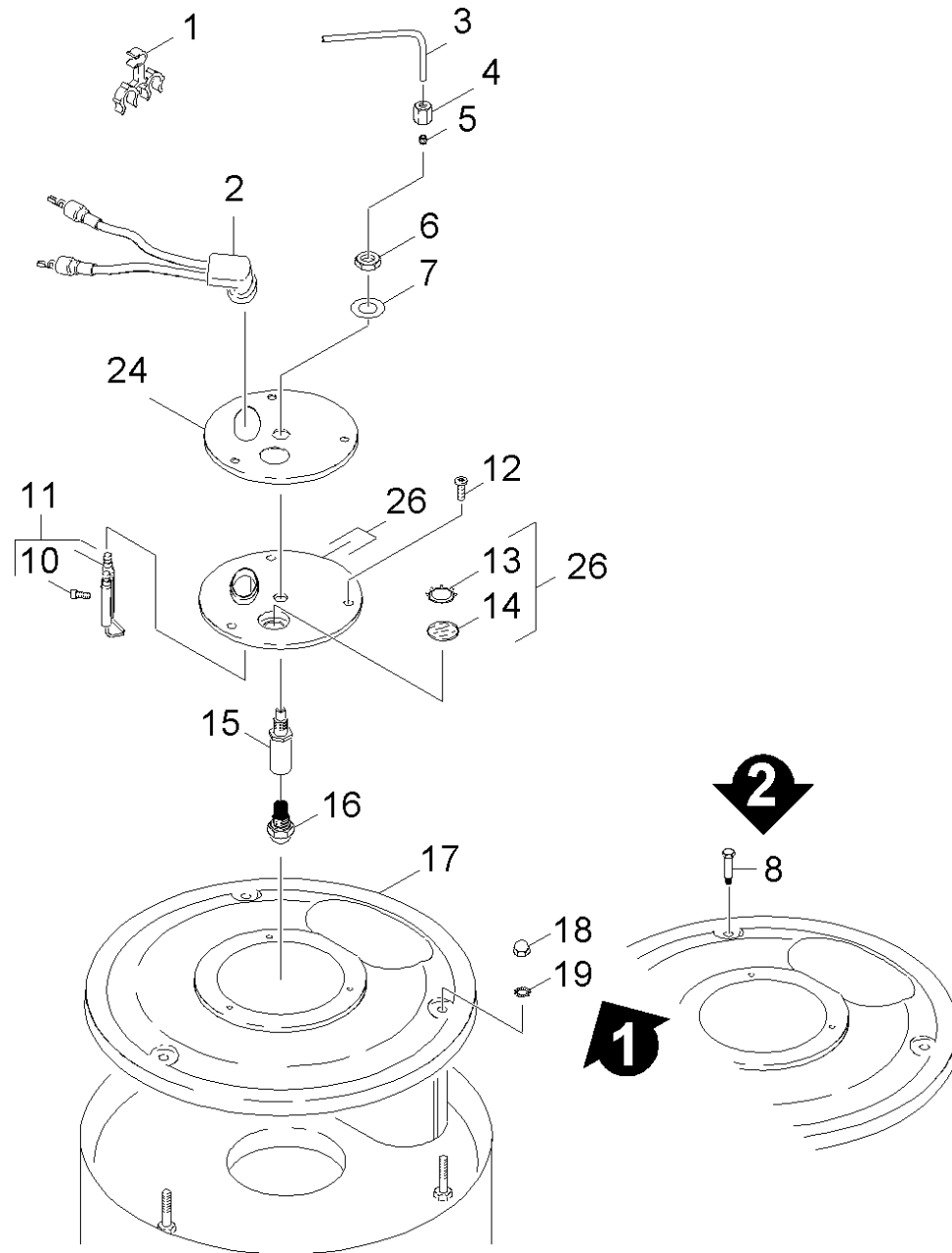
POS	Article no.	Description	Quantity	Unit
15	4.633-058.0	Pulse generator only for replacement	1	PC
5	7.303-030.0	Screw M4x8 -St-P2R (In6Rd)	6	PC
8	6.303-317.0	Screw M4x10-St-A2G	2	PC
11	7.303-033.0	Screw M4x16-ST-P2R (KOMBI-IN6RD)	1	PC
27	7.303-035.0	Screw M4x30 -St-R2R (In6Rd)	1	PC
13	7.303-328.0	Screw M5x8 -St-flZn/nc480h/C (In6Rd)	1	PC
28	7.303-501.0	Self-tapping screw M3x20-ST-A2E DIN 7500	4	PC
1	5.049-657.0	Sheet metal component electric control b	1	PC
21	2.883-791.0	Spare parts set ignition transformer	1	PC
	Item text1: / 1.028-337.0 / -339.0 / -343.0 / -353.0			
	Item text2: / -355.0 /			
29	6.643-249.0	Strip terminal	1	ZST
16	5.057-043.0	Support	1	PC
20	5.115-520.0	Washer	1	PC
	Item text1: / 1.028-338.0 / -340.0 / -354.0 /			
22	5.115-921.0	Washer	1	PC
	Item text1: / 1.028-337.0 / -339.0 / -343.0 / -353.0			
	Item text2: / -355.0 /			
34	7.312-282.0	Washer 5-A2 ISO 7093-1	1	PC
14	7.312-260.0	Washer 6-100HV-A3E ISO 7094	1	PC
12	6.641-422.0	Wire protecting sleeve	1	PC

21 Spare parts set ignition transformer (2.883-791.0)

POS	Article no.	Description	Quantity	Unit
30	6.647-518.0	Ignition cable	1	PC
10	4.821-071.0	IGNITION LEAD (HDS 557CI)	1	PC
20	7.777-999.0	Stockpiling discontinued	1	PC

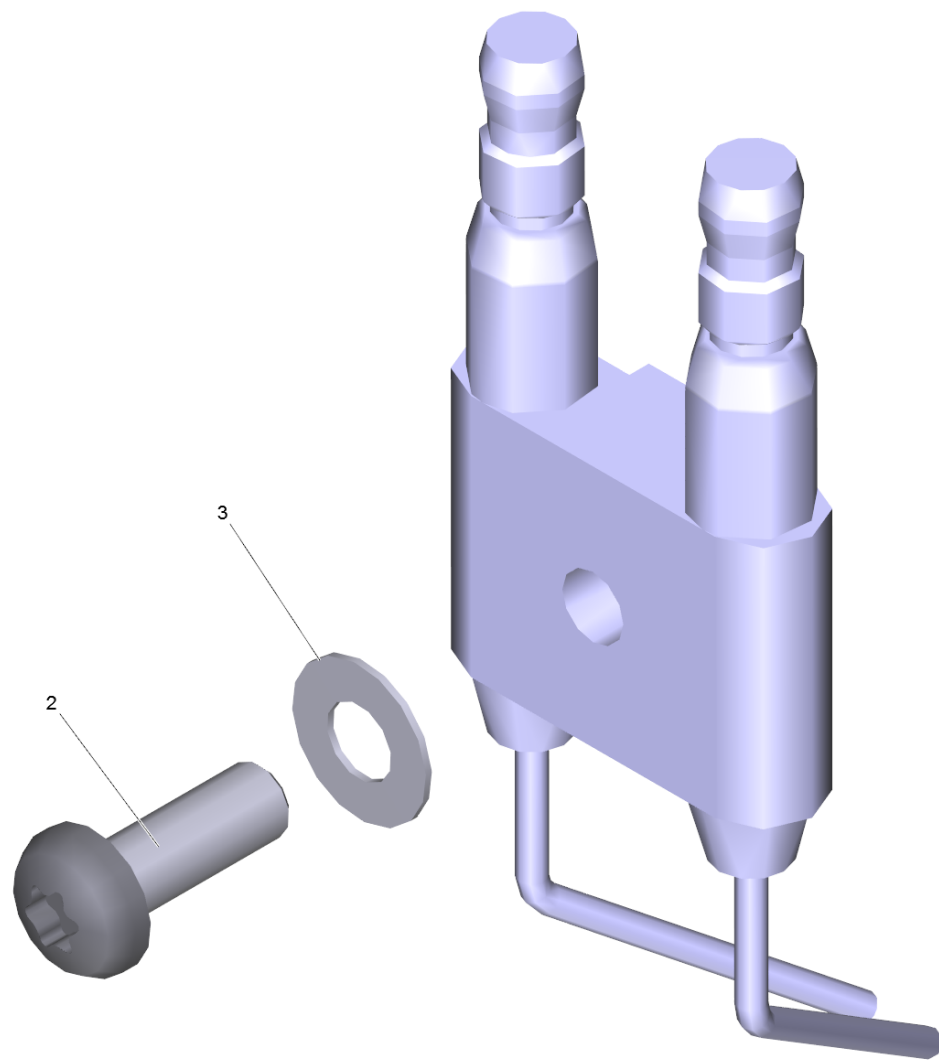
70 Flow heater

POS	Description	Quantity	Unit
73	Burner bottom	1	PC
71	Burner cover	1	PC
72	Heating coil	1	PC



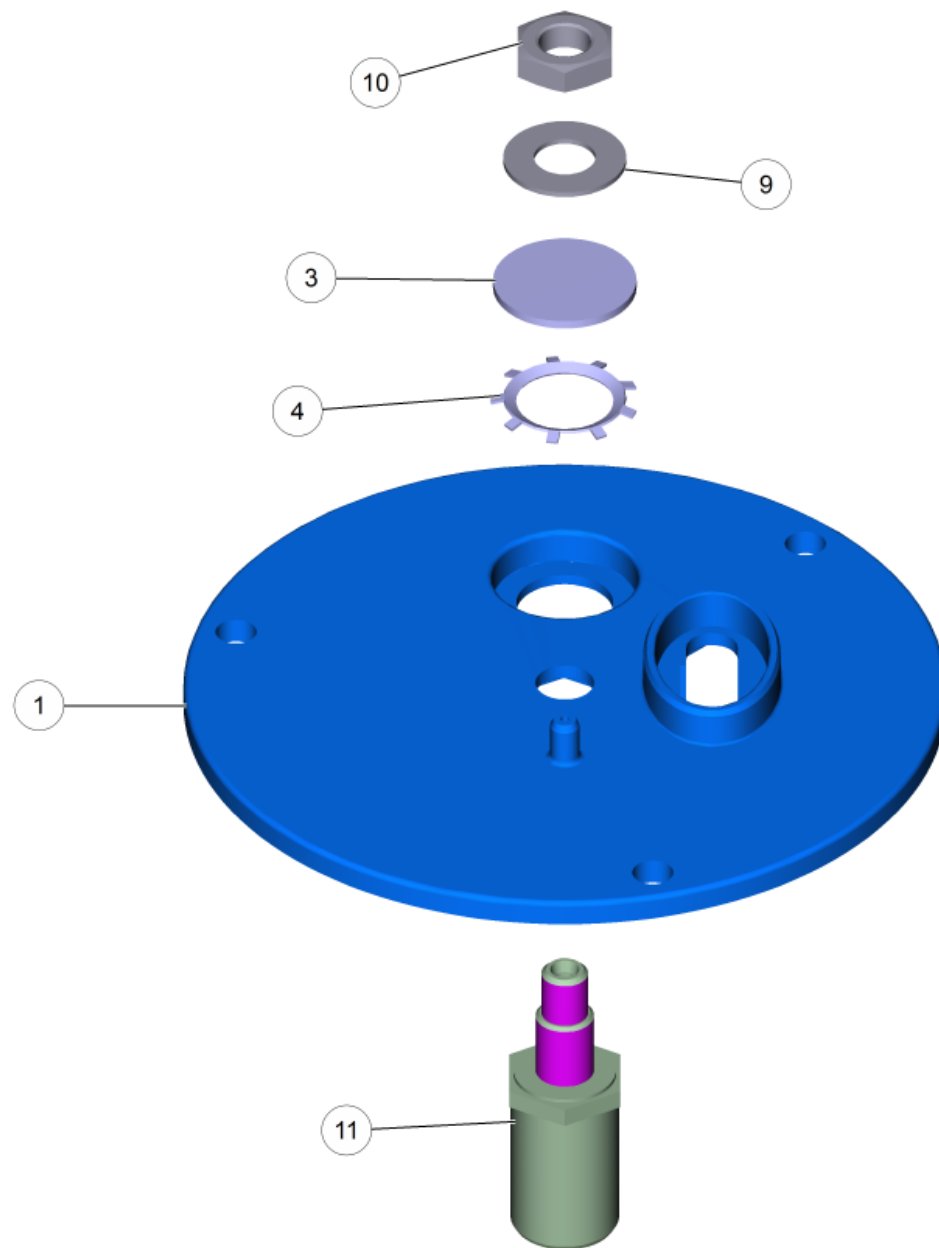
71 Burner cover

POS	Article no.	Description	Quantity	Unit
18	7.311-380.0	Cap nut M6 -6-A2E DIN 1587	3	PC
3	5.423-187.0	Conduit fuel	1	PC
11	2.638-974.0	Conversion kit ignition electrode	1	PC
26	4.654-218.0	Cover plate pressure boiler	1	PC
17	5.654-046.0	Cover pressure boiler	1	PC
24	5.654-059.0	Cover pressure boiler	1	PC
5	6.389-263.0	Cutting ring d.4	1	PC
14	6.278-018.0	Glass pane	1	PC
6	7.311-101.0	Hexagon nut M10x1 -04-A2E DIN 936	1	PC
1	6.647-527.0	Holder	1	PC
2	4.821-071.0	IGNITION LEAD (HDS 557CI)	1	PC
16	6.415-641.0	Nozzle	1	PC
	Item text1: 1.028-355.0			
16	6.415-651.0	Nozzle -2,00-60°-SS	1	PC
	Item text1: / 1.028-339.0 / -343.0 /			
16	6.415-530.0	Nozzle 1.75-60°-H	1	PC
	Item text1: / 1.028-337.0 / -338.0 / -340.0 / -353.0			
	Item text2: / -354.0 /			
15	5.667-055.0	Nozzle holder	1	PC
12	6.303-192.0	Screw M5x12 TX TAPTITE2000	3	PC
10	7.306-326.0	Screw M5x14 -8.8-ZNBHL (In6Rd)	1	PC
8	6.303-258.0	Self-tapping screw	3	PC
13	6.343-165.0	Serrated ring	1	PC
7	7.312-302.0	Spring washer B10-FST-A2E DIN 137	1	PC
19	7.312-167.0	Toothed lock washer A6,4-FSt-A3E DIN 6797	3	PC
4	6.389-262.0	Union nut A 4-LL	1	PC



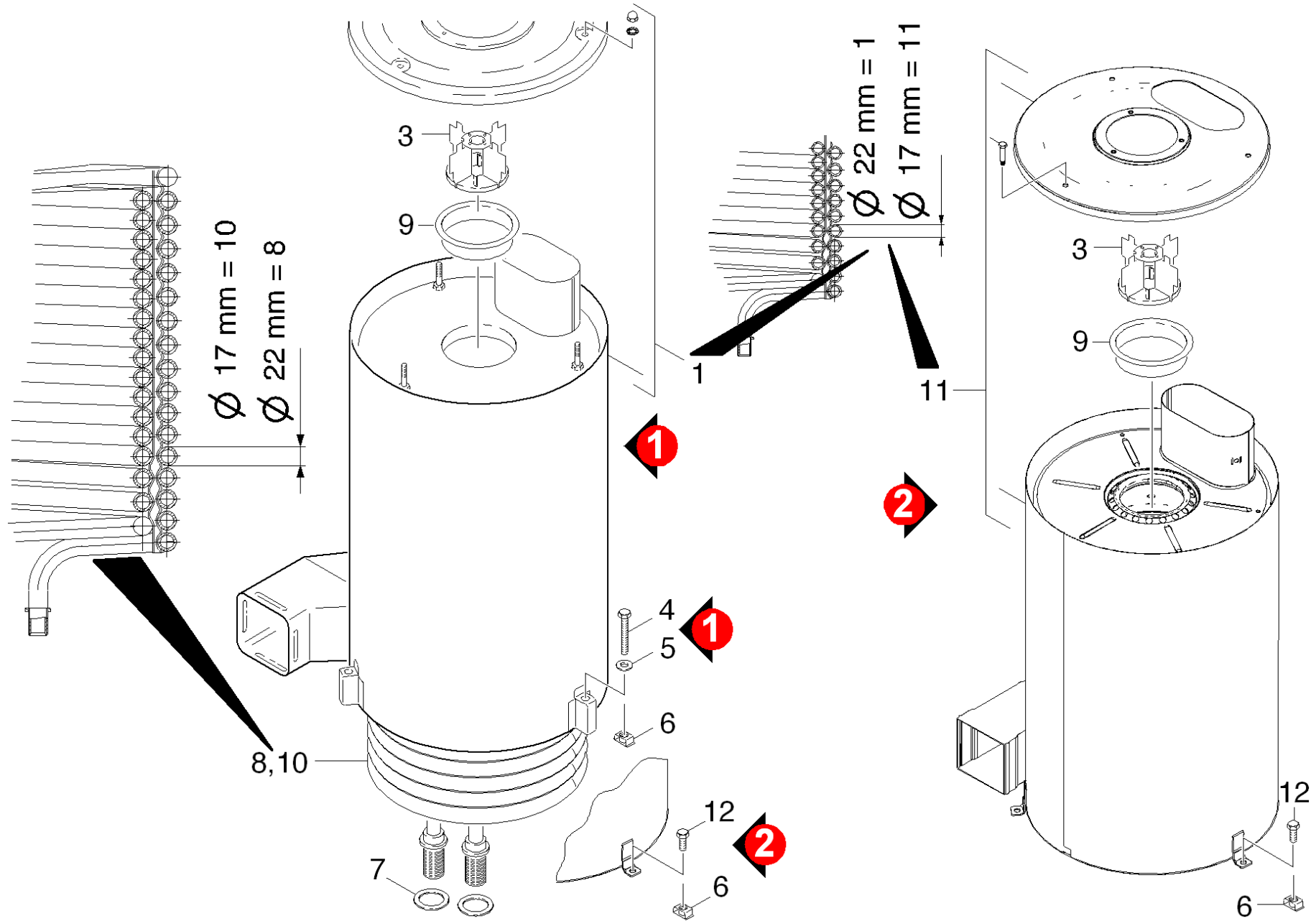
11 Conversion kit ignition electrode (2.638-974.0)

POS	Article no.	Description	Quantity	Unit
2	7.306-326.0	Screw M5x14 -8.8-ZNBHL (In6Rd)	1	PC
3	7.312-304.0	Spring washer B 5-FST-A2E DIN 137	1	PC



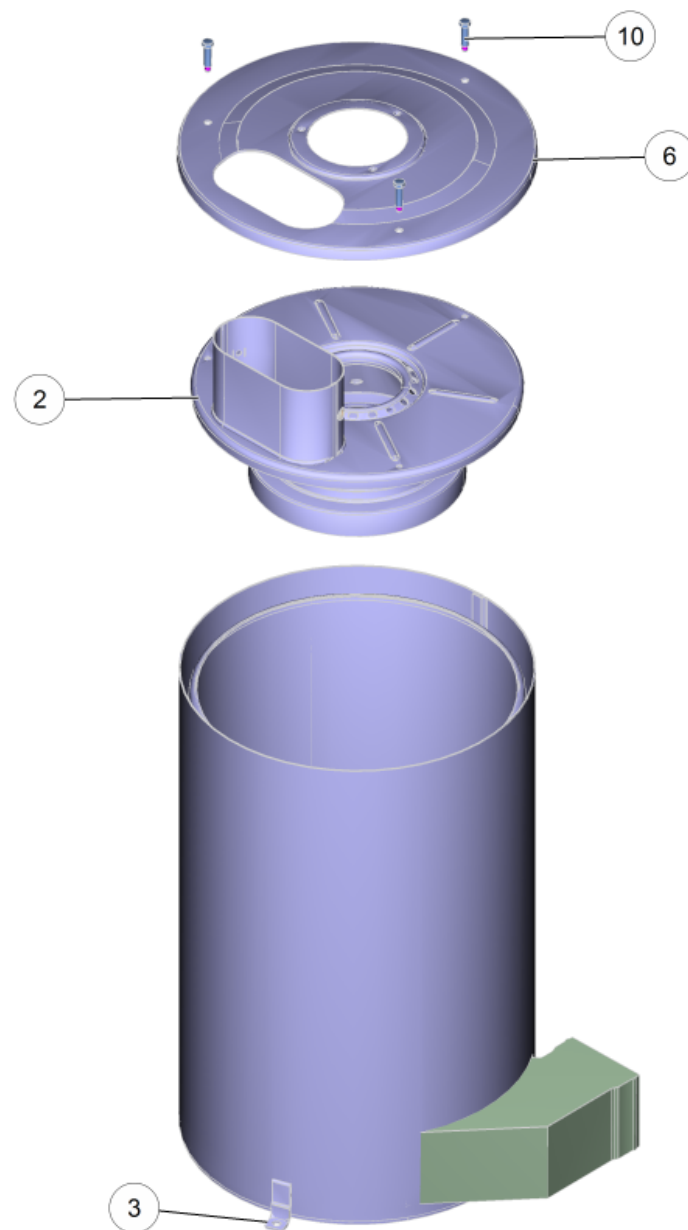
26 Cover plate pressure boiler (4.654-218.0)

POS	Article no.	Description	Quantity	Unit
1	5.662-022.0	Burner cover	1	PC
3	6.278-018.0	Glass pane	1	PC
10	7.311-101.0	Hexagon nut M10x1 -04-A2E DIN 936	1	PC
11	5.667-055.0	Nozzle holder	1	PC
4	6.343-165.0	Serrated ring	1	PC
9	7.312-302.0	Spring washer B10-FST-A2E DIN 137	1	PC



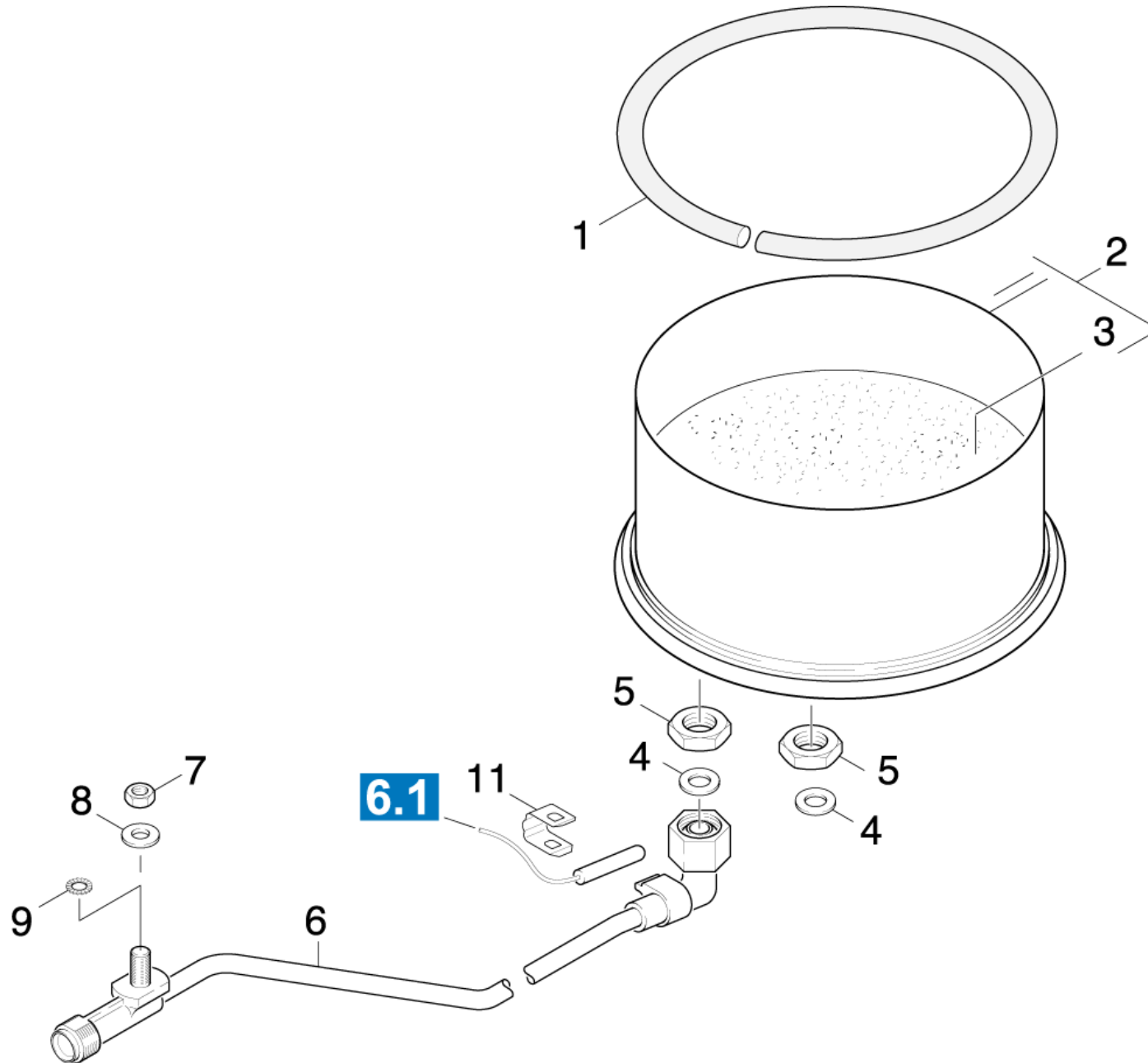
72 Heating coil

POS	Article no.	Description	Quantity	Unit	Remark	Foot note text
3	4.663-088.0	Baffle plate complete	1	PC		
6	6.310-081.0	Cage nut M 8	3	PC		
9	5.664-195.0	Flame tube	1	PC		
	Item text1: / 1.028-339.0 / -343.0 /-355.0					
9	5.664-211.0	Flame tube	1	PC		
	Item text1: / 1.028-337.0 / -338.0 / -340.0 / -353.0					
	Item text2: / -354.0 /					
8	4.680-098.0	Heating coil	1	PC		
	Item text1: 1.028-337.0 /-338.0 /-339.0 /-353.0					
	Item text2: /-354.0 /					
10	4.680-135.0	Heating coil	1	PC		
10	4.680-135.3	Heating coil	1	PC		
	Item text1: 1.028-355.0					
10	4.680-147.3	Heating coil	1	PC		
8	4.680-113.0	Heating coil VA	1	PC		STAINLESS STEEL CONSTRUCTION
	Item text1: 1.028-343.0					
4	7.304-051.0	Hexagonal head screw M 8x16 -8.8-P2R EN 1665	3	PC	VERSION 2	
	Item text1: 1.028-355.0					
12	7.304-051.0	Hexagonal head screw M 8x16 -8.8-P2R EN 1665	3	PC		
4	7.304-174.0	Hexagonal head screw M8x60 -8.8-GE3A/VL	3	PC	VERSION 1	
1	4.652-079.0	Outer covering	1	PC		
	Item text1: 1.028-337.0 /-338.0 /-339.0 /-343.0 /					
	Item text2: /-353.0 /-354.0 /					
11	4.652-146.0	Outer covering complete	1	PC		
7	5.365-068.0	Profile gasket	2	PC		
11	4.652-131.0	Vessel mantel complete	1	PC		
	Item text1: 1.028-355.0					
5	7.312-277.0	Washer 8-200HV-A2E ISO 7093-1	3	PC		



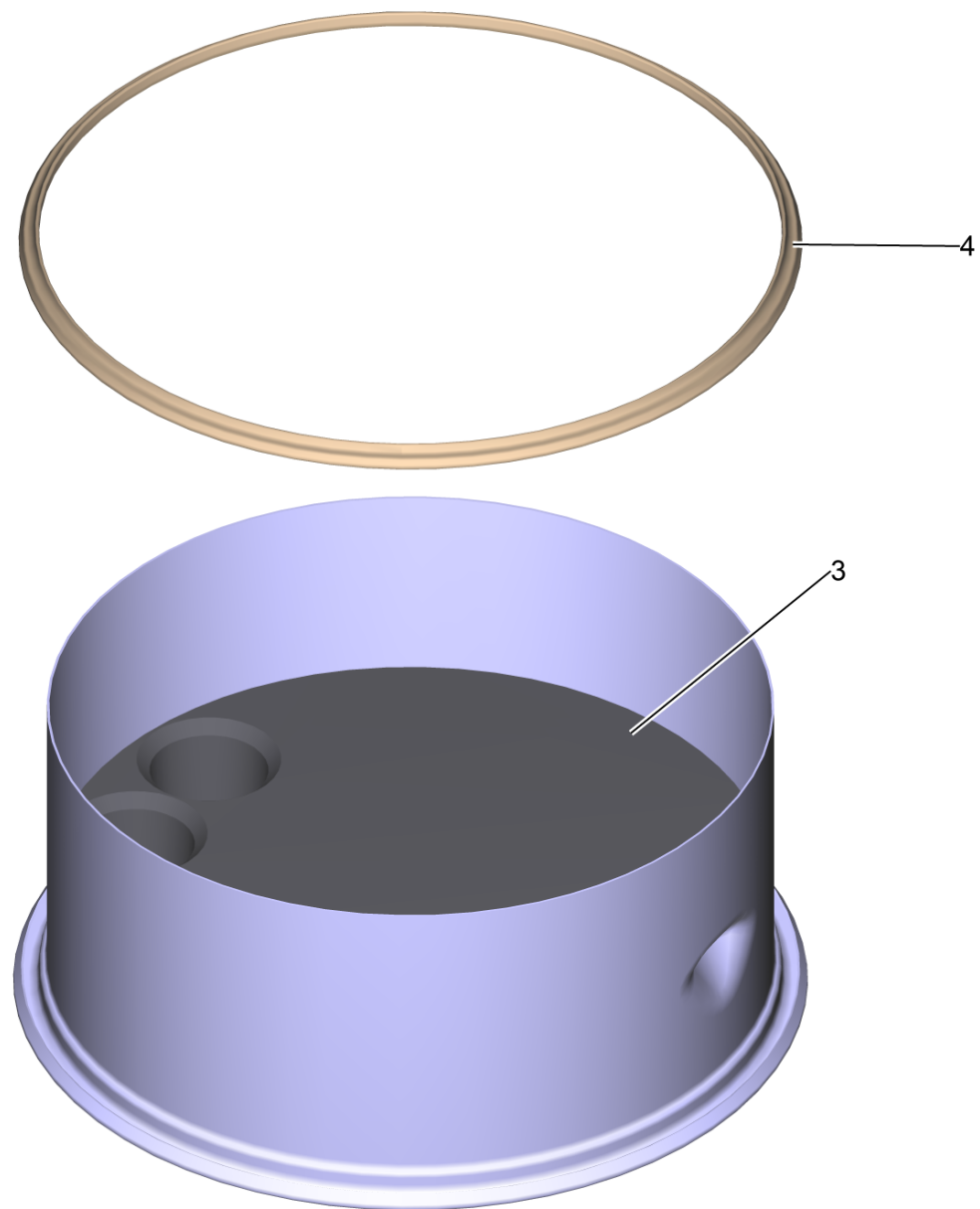
1 Outer covering (4.652-079.0)

POS	Article no.	Description	Quantity	Unit
2	4.663-138.0	Burner cage complete	1	PC
6	5.654-046.0	Cover pressure boiler	1	PC
3	5.044-420.0	Holder	3	PC
10	6.303-258.0	Self-tapping screw	3	PC



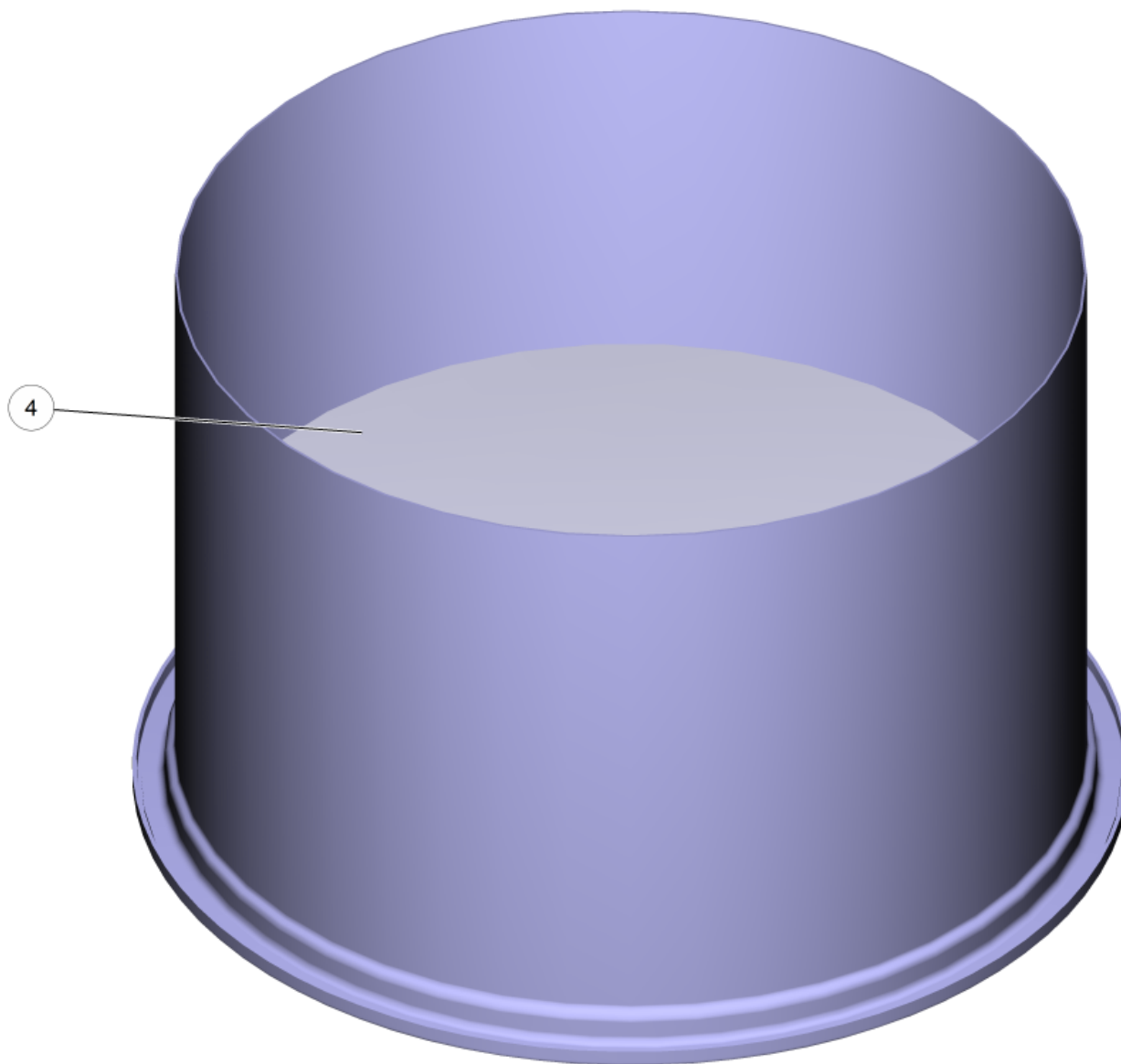
73 Burner bottom

POS	Article no.	Description	Quantity	Unit
2	4.655-044.0	Bottom pressure boiler	1	PC
	Item text1: 1.028-355.0			
2	4.655-048.0	Bottom pressure boiler	1	PC
	Item text1: 1.028-337.0 /-338.0 /-339.0 /-343.0 /			
	Item text2: /-353.0 /-354.0 /			
7	7.311-511.0	Hexagon nut M10-8-A2K ISO 7040	1	PC
5	7.311-155.0	Hexagon nut M22x1,5 -Cu2 DIN 936	2	PC
6	4.422-929.0	Pipelines high-pressure outlet	1	PC
6	4.422-930.0	Pipelines high-pressure outlet	1	PC
	Item text1: 1.028-340.0			
6	4.421-627.0	Pipelines outlet	1	PC
	Item text1: 1.028-355.0			
4	5.363-360.0	Seal	2	PC
1	6.366-011.0	Seal string D 10	1	PC
3	7.777-999.0	Stockpiling discontinued	1	PC
11	5.263-064.0	Tensioning part	1	PC
9	7.312-160.0	Toothed lock washer A10,5-FSt-A3E DIN 6797	1	PC
8	7.312-285.0	Washer 10-200HV-A2E ISO 7093-1	1	PC



2 Bottom pressure boiler (4.655-044.0)

POS	Article no.	Description	Quantity	Unit
4	6.366-009.0	Seal string	1	PC
3	7.777-999.0	Stockpiling discontinued	1	PC



2 Bottom pressure boiler (4.655-048.0)

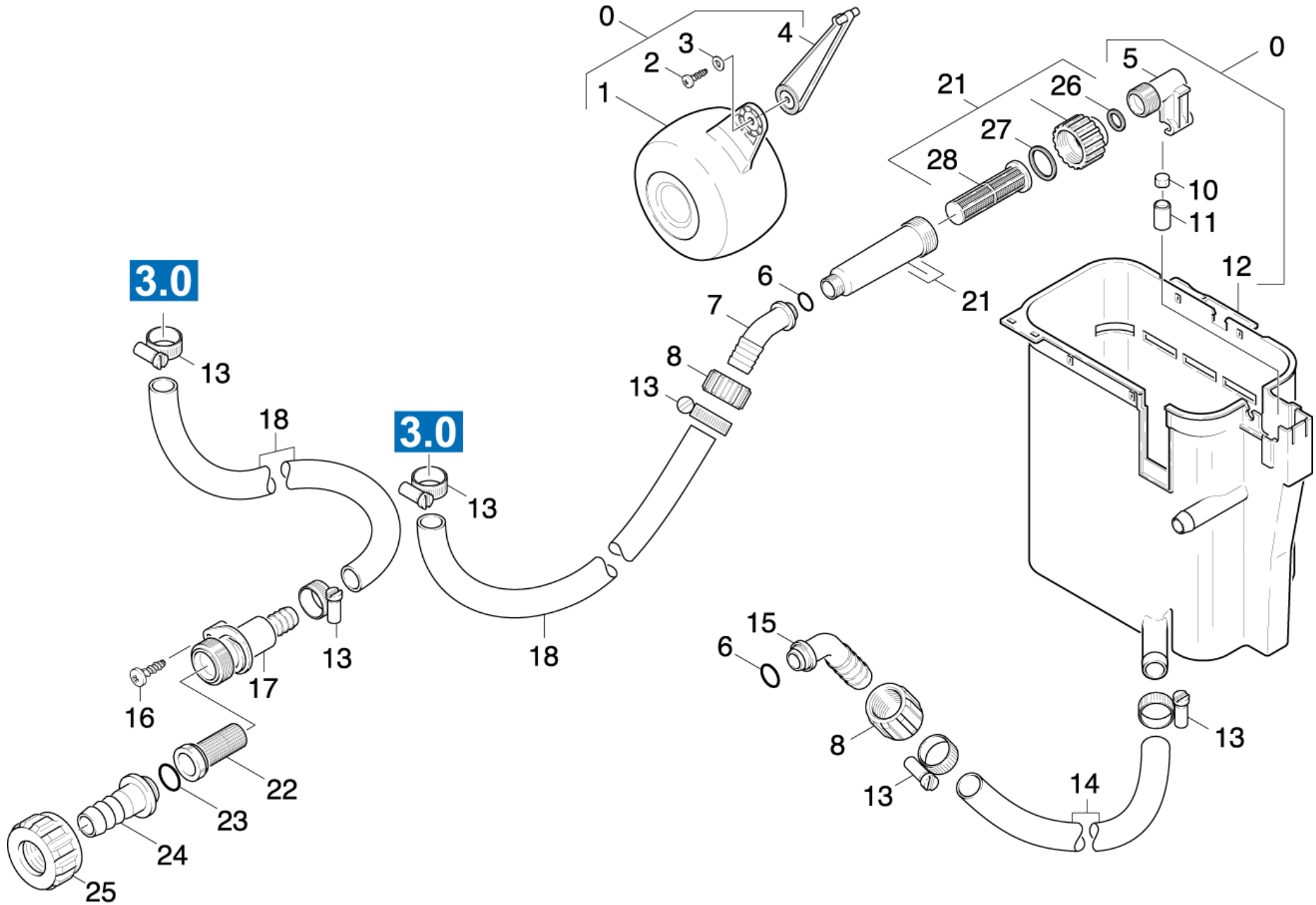
POS	Article no.	Description	Quantity	Unit
4	7.777-999.0	Stockpiling discontinued	1	PC

4 Seal (5.363-360.0)

POS	Article no.	Description	Quantity	Unit
0	5.363-228.0	Joint ring	1	PC

80 Float chest

POS	Description	Quantity	Unit
82	DGT	1	PC
81	Float chest	1	PC

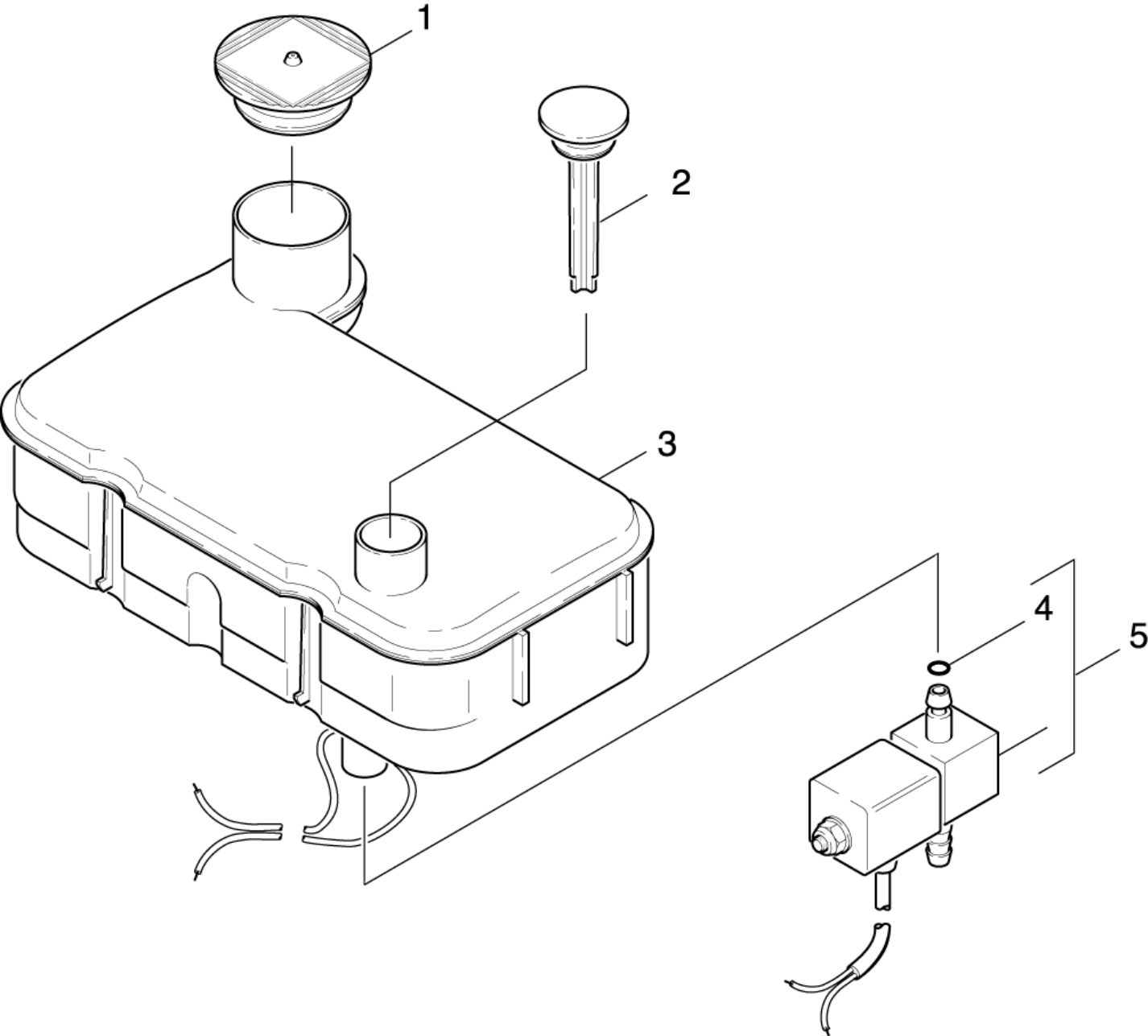


81 Float chest

POS	Article no.	Description	Quantity	Unit	Foot note text
10	5.364-095.0	Flat gasket	1	PC	
1	5.585-024.0	Float	1	PC	
0	3.593-082.0	Float valve	1	PC	
	Item text1: / 1.028-337.0 / -338.0 / -340.0 / -343.0				
	Item text2: /-353.0 /-354.0 /-355.0 /				
0	3.593-108.3	Float valve only for replacement	1	PC	
	Item text1: / 1.028-339.0				
13	7.373-022.0	Hose clip A-16-27x9 -W2-2 DIN3017	6	PC	
18	6.388-719.0	Hose DN17	1	m	TO ORDER AS CUT GOODS
7	5.443-285.0	Hose stem	1	PC	
15	5.443-211.0	Hose stem	1	PC	
24	5.443-291.0	Hose stem	1	PC	
4	5.481-118.0	Lever	1	PC	
17	5.427-154.0	Manifold	1	PC	
8	5.310-062.0	Nut	2	PC	
25	5.310-076.0	Nut	1	PC	
6	6.362-078.0	O-Ring seal 13,3x2,4	2	PC	
23	6.362-161.0	O-Ring seal 19,3 X 2,4	1	PC	
14	6.392-256.0	Piece of tube 19x4x430	1	PC	
2	7.303-104.0	Screw 5x16 -A2-70 (IN6RD)	1	PC	
16	7.303-112.0	Screw 6x20 -10.9-R2R (In6Rd)	1	PC	
26	5.363-545.0	Seal	1	PC	
27	5.363-336.0	Seal	1	PC	
22	6.414-141.0	Strainer	1	PC	
12	5.070-140.0	Tank	1	PC	
	Item text1: / 1.028-337.0 / -338.0 / -340.0 / -343.0				
	Item text2: /-353.0 /-354.0 /-355.0 /				
12	5.070-140.0	Tank	1	PC	
	Item text1: / 1.028-339.0				
5	5.587-147.0	Valve housing	1	PC	
11	5.584-085.0	Valve pin	1	PC	
3	7.312-282.0	Washer 5-A2 ISO 7093-1	1	PC	
21	4.730-127.0	Water filter	1	PC	

81 Float chest

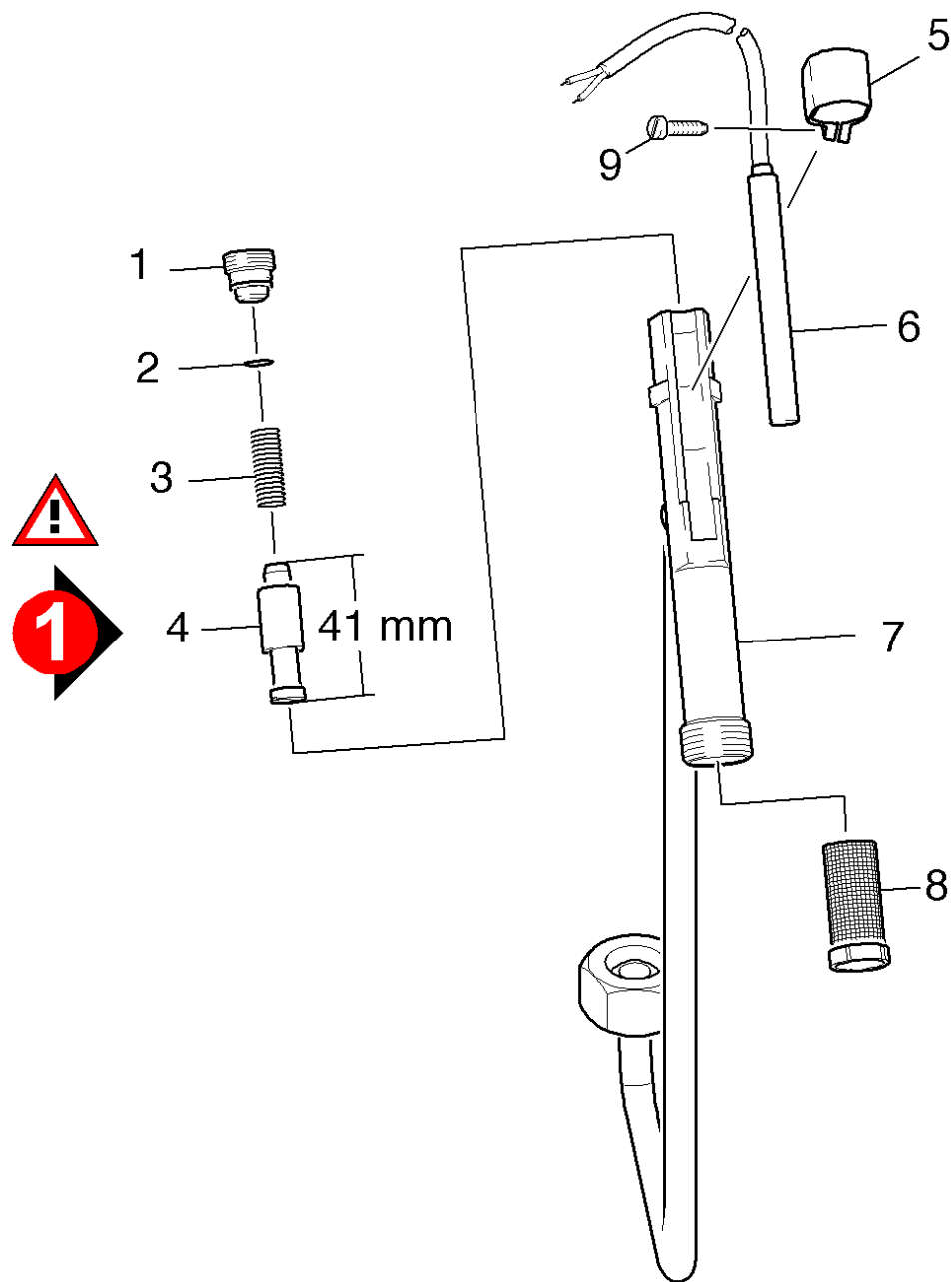
POS	Article no.	Description	Quantity	Unit	Foot note text
28	5.731-634.0	Water filter	1	PC	



POS	Article no.	Description	Quantity	Unit
1	5.063-487.0	Cover	1	PC
2	5.063-507.0	Cover	1	PC
4	6.362-113.0	O-Ring seal 6,0 x 2,0 NBR 70	1	PC
5	6.685-845.0	Solenoid valve	1	PC
3	4.070-188.0	WATER SOFTNER TANK	1	PC

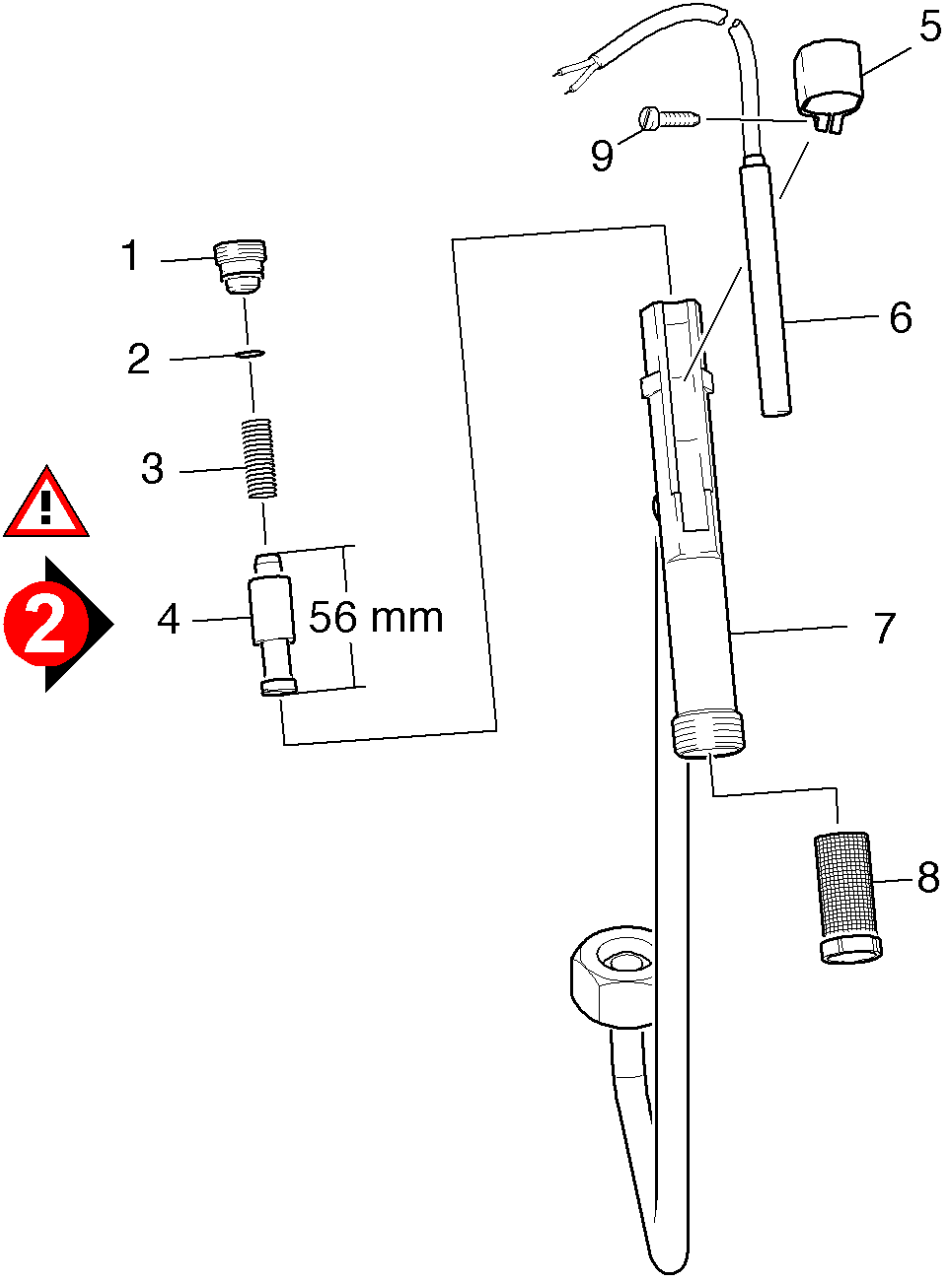
90 Safety system

POS	Description	Quantity	Unit	Remark
91	Safety system	1	PC	VERSION 1
92	Safety system	1	PC	VERSION 2



91 Safety system

POS	Article no.	Description	Quantity	Unit
5	5.041-076.0	Clamp	1	PC
3	5.332-057.0	Helical spring	1	PC
9	6.303-122.0	M4 .2X13 DIN 7981 TORX T15 PAN HD HI/LO	1	PC
7	4.427-203.0	Manifold	1	PC
2	6.362-482.0	O-Ring seal 10 x 1,5-NBR 70	1	PC
4	4.553-022.0	Piston	1	PC
6	2.880-194.0	Reed switch replacement	1	PC
1	5.305-162.0	Shaped screw	1	PC
8	6.414-566.0	Strainer WMS	1	PC

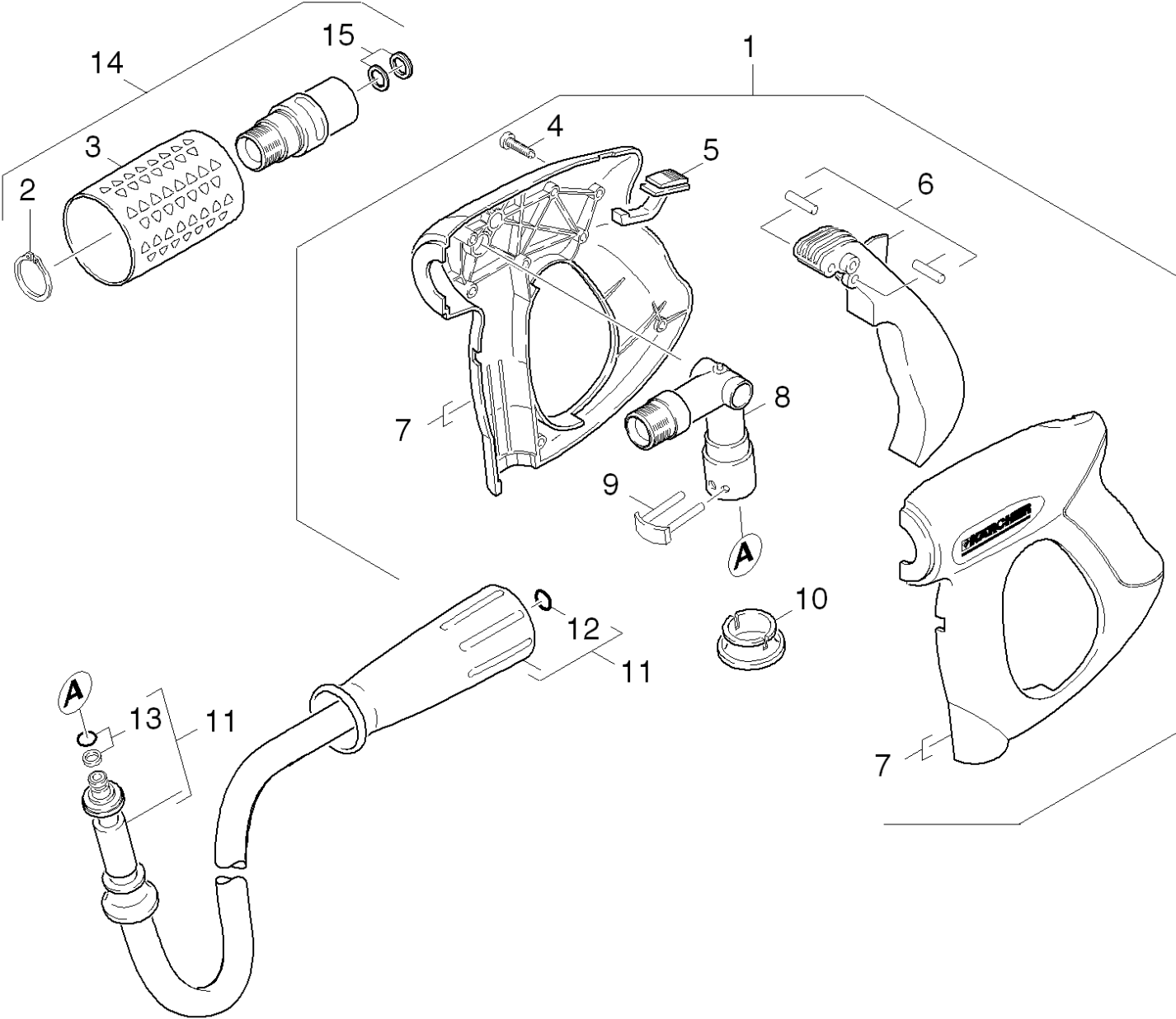


92 Safety system

POS	Article no.	Description	Quantity	Unit
4	4.551-058.0	Cartridge protection against water short	1	PC
5	5.041-076.0	Clamp	1	PC
3	5.332-057.0	Helical spring	1	PC
9	6.303-122.0	M4 .2X13 DIN 7981 TORX T15 PAN HD HI/LO	1	PC
7	4.427-342.0	Manifold safety system	1	PC
2	6.362-482.0	O-Ring seal 10 x 1,5-NBR 70	1	PC
6	2.880-194.0	Reed switch replacement	1	PC
1	5.305-162.0	Shaped screw	1	PC
8	6.414-566.0	Strainer WMS	1	PC

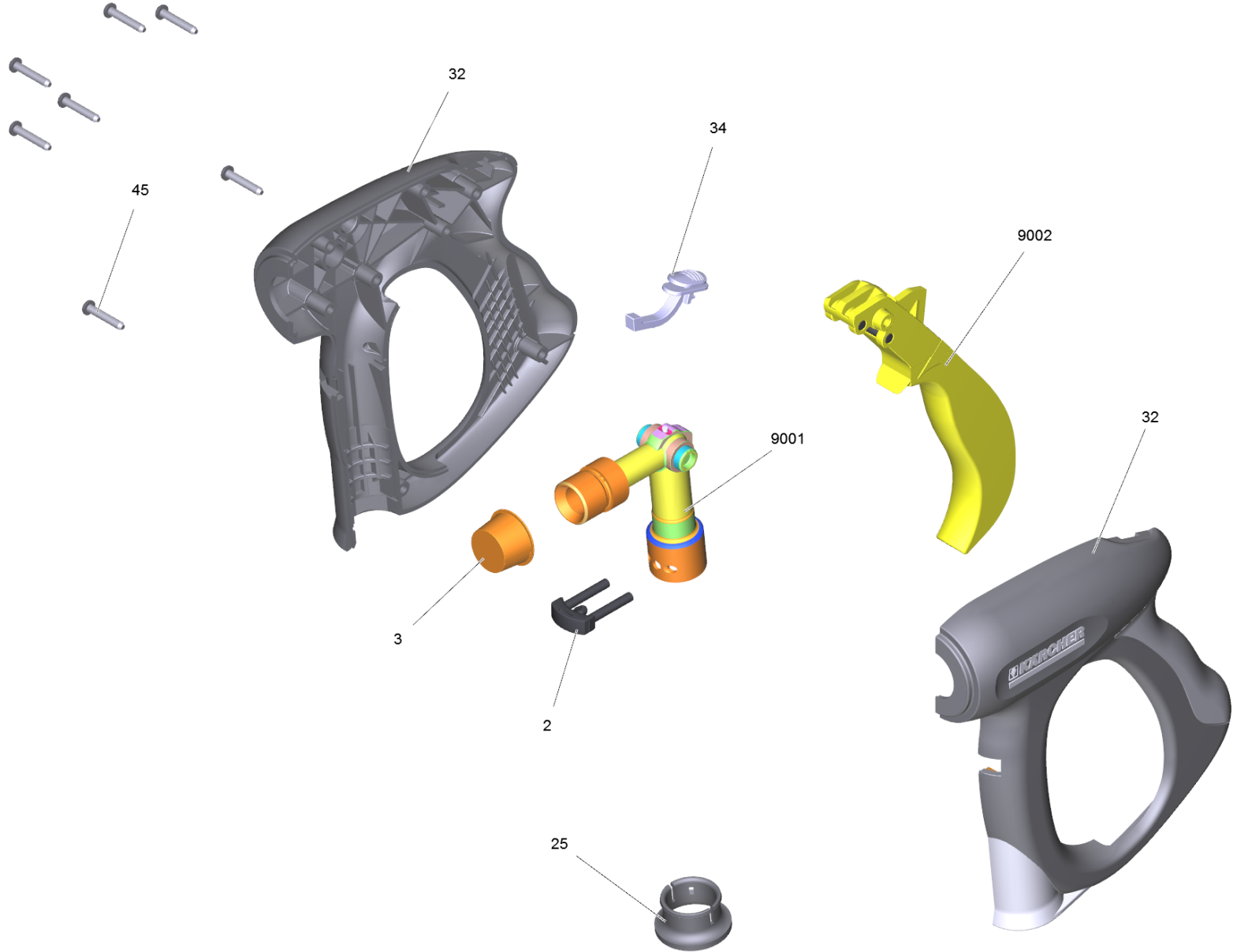
100 Accessories

POS	Description	Quantity	Unit
101	Hand trigger gun	1	PC
102	Hand trigger gun	1	PC
105	Hose reel	1	PC
103	Jet pipe	1	PC
104	Steam nozzle	1	PC



101 Hand trigger gun

POS	Article no.	Description	Quantity	Unit
15	4.363-692.0	Grooved ring kpl. -nur fuer Ersatz-	1	PC
15	4.363-695.0	Grooved ring only for replacement	1	PC
7	5.321-669.3	Handhold few	1	PC
3	5.321-668.0	Handle	1	PC
1	4.775-463.0	HAND TRIGGER GUN EASY PRESS	1	PC
9	4.037-013.0	Hook	1	PC
11	6.390-208.0	Hose assembly DN8 40MPa 20m	1	PC
	Item text1: / 1.028-353.0 / -354.0			
11	6.390-025.0	Hose assembly DN8 max.31,5MPa 10m	1	PC
	Item text1: 1.028-355.0			
11	6.391-351.0	Hose assembly only for replacement DN8 4	1	PC
	Item text1: / 1.028-337.0 / -343.0 /			
6	4.481-209.3	Lever complete for replacement	1	PC
2	7.343-069.0	Locking ring 25x1,2-1.4122 DIN 471	1	PC
8	4.427-215.0	Manifold complete only for replacement	1	PC
8	4.427-215.3	Manifold cpl. only for replacement	1	PC
13	4.363-691.0	O-Ring seal kpl. -nur fuer Ersatz-	1	PC
14	4.775-471.0	Rotary controller 700L	1	PC
4	7.303-096.0	Screw 4x22-ST-10.9-R2R (IN6RD)	7	PC
10	5.110-596.0	Sleeve	1	PC
5	5.481-331.0	Slider	1	PC
12	2.880-990.0	Spare part set O-Ring 5x -Kaercher	1	PC



1 HAND TRIGGER GUN EASY PRESS (4.775-463.0)

POS	Article no.	Description	Quantity	Unit
32	5.321-669.3	Handhold few	1	PC
2	4.037-013.0	Hook	1	PC
9002	4.481-209.3	Lever complete for replacement	1	PC
9001	4.427-215.0	Manifold complete only for replacement	1	PC
9001	4.427-215.3	Manifold cpl. only for replacement	1	PC
	Item text1: successor of 4.427-215.0			
3	6.368-012.0	Protecting cap 22X1,5	1	PC
45	7.303-096.0	Screw 4x22-ST-10.9-R2R (IN6RD)	7	PC
1041	6.288-044.0	Silicon grease 100 G	1	PC
25	5.110-596.0	Sleeve	1	PC
34	5.481-331.0	Slider	1	PC
4	7.777-999.0	Stockpiling discontinued	1	PC

2 Hook (4.037-013.0)

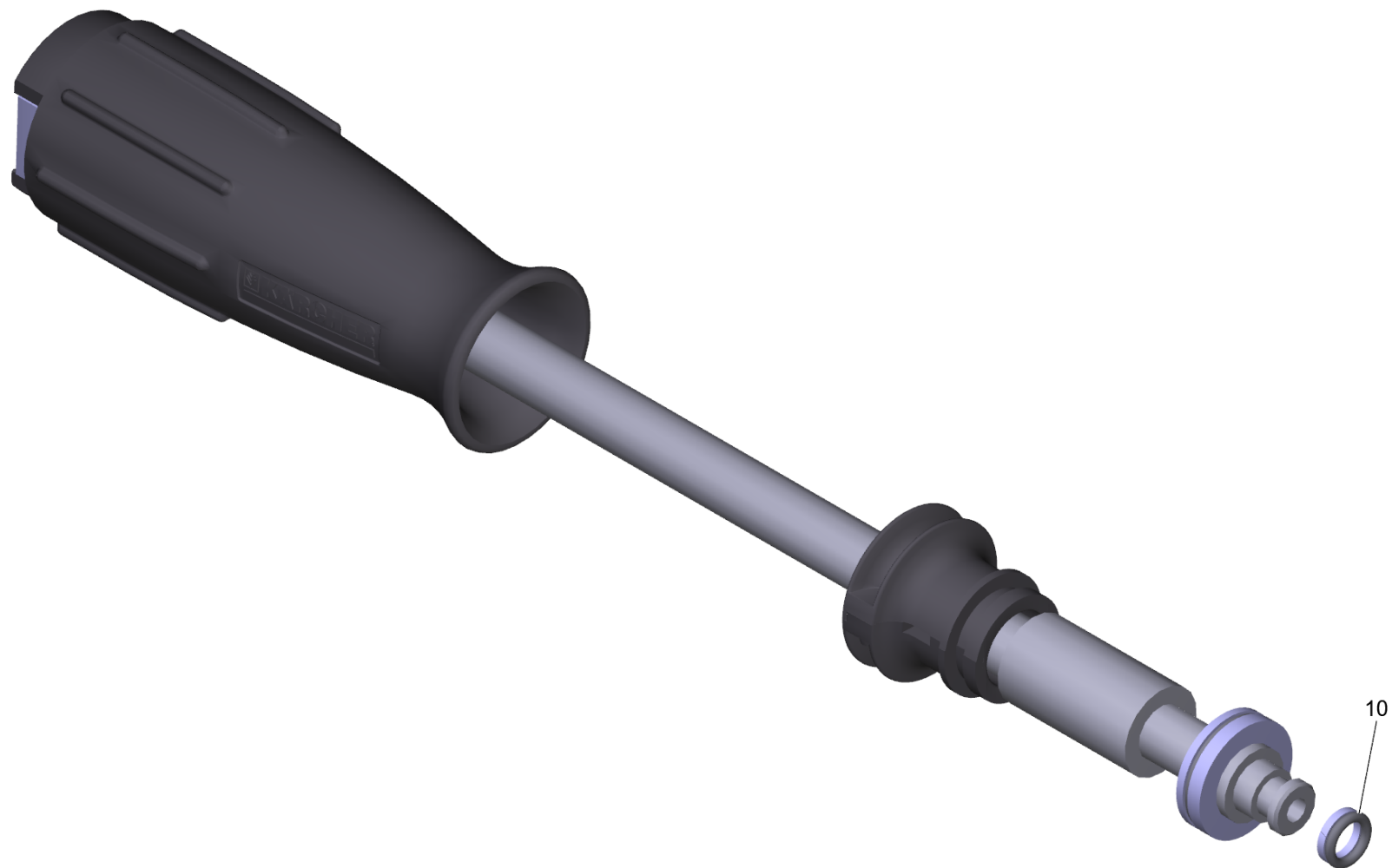
POS	Article no.	Description	Quantity	Unit
1	5.037-109.0	HOOK	1	PC

9 Hook (4.037-013.0)

POS	Article no.	Description	Quantity	Unit
1	5.037-109.0	HOOK	1	PC

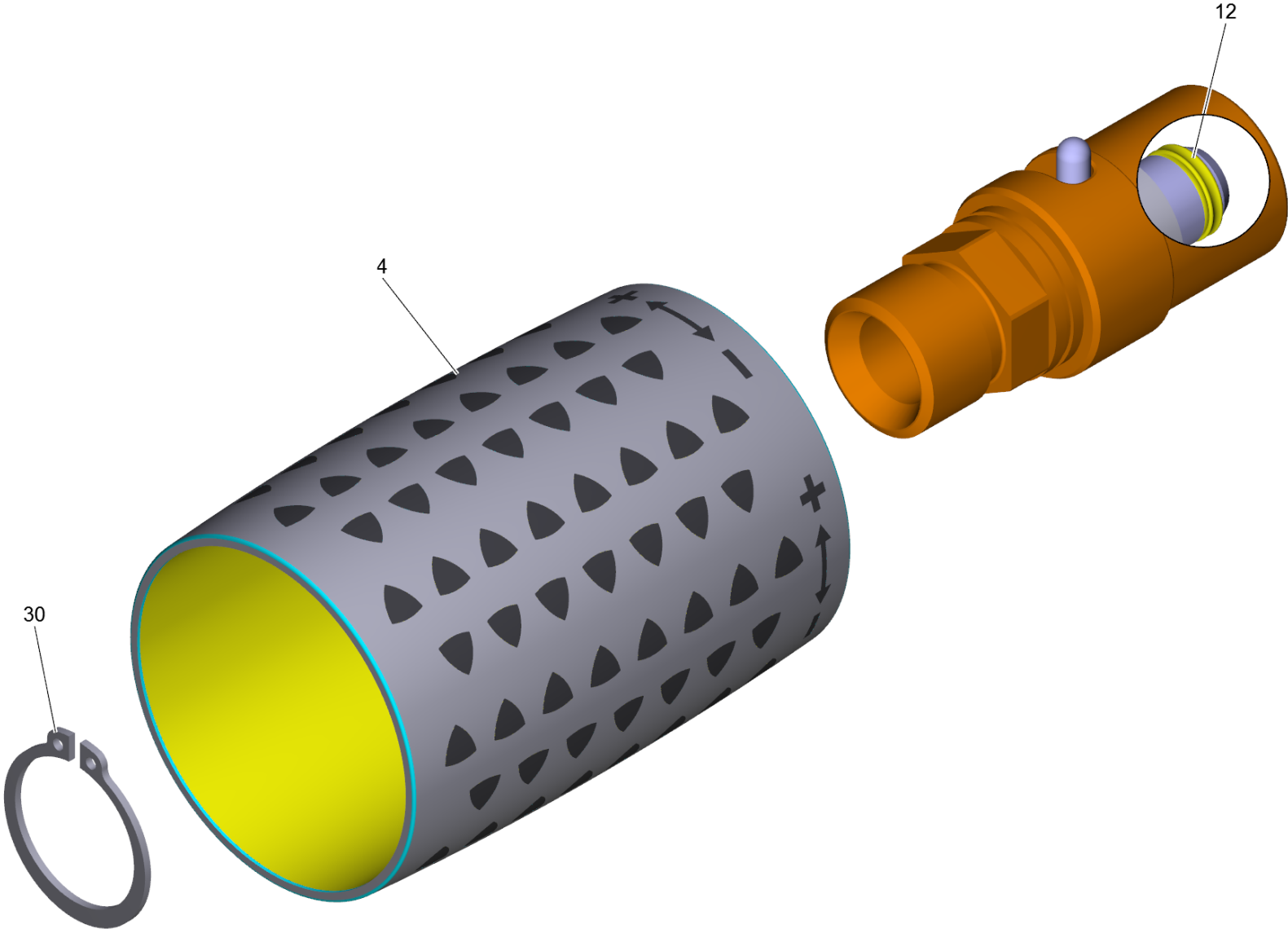
11 Hose assembly DN8 max.31,5MPa 10m (6.390-025.0)

POS	Article no.	Description	Quantity	Unit
10	5.110-673.0	Sleeve for DN 8	1	PC



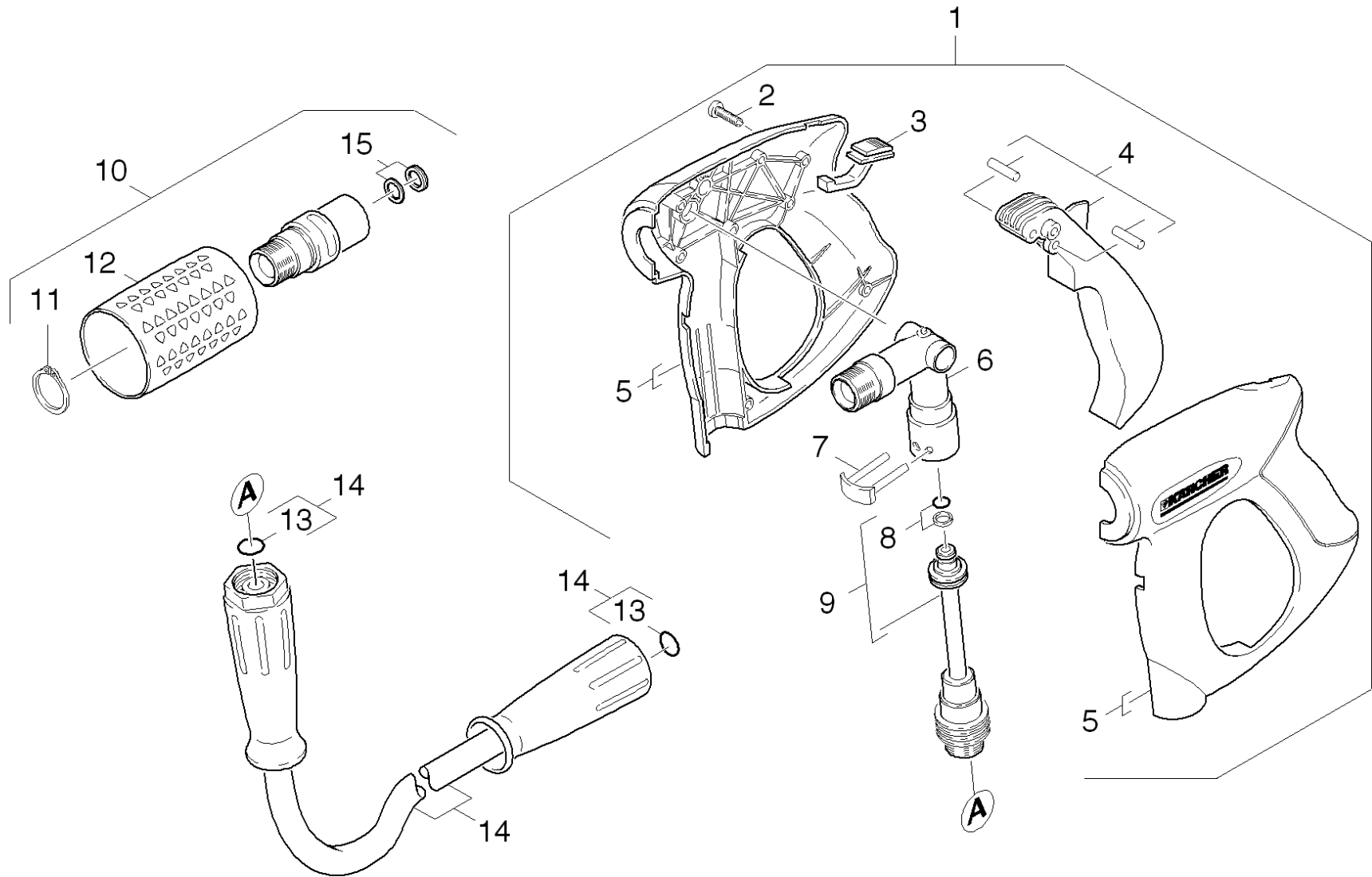
11 Hose assembly only for replacement DN8 4 (6.391-351.0)

POS	Article no.	Description	Quantity	Unit
10	4.363-691.0	O-Ring seal kpl. -nur fuer Ersatz-	1	PC



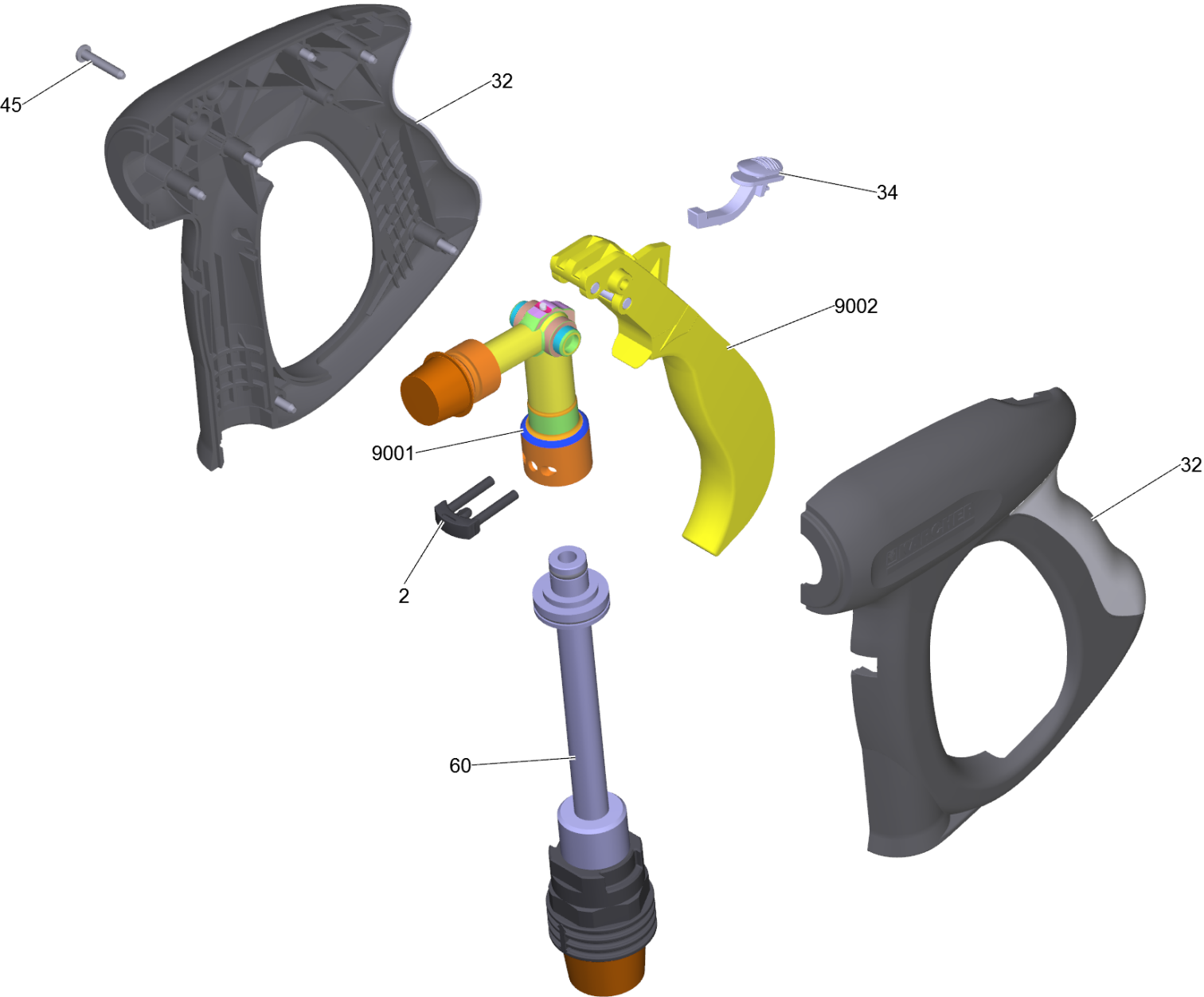
14 Rotary controller 700L (4.775-471.0)

POS	Article no.	Description	Quantity	Unit
4	5.321-668.0	Handle	1	PC
30	7.343-069.0	Locking ring 25x1,2-1.4122 DIN 471	1	PC
12	2.880-001.0	Spare part set seals TR	1	PC



102 Hand trigger gun

POS	Article no.	Description	Quantity	Unit
9	4.421-739.3	Adapter pipelines AVS-M22x1,5	1	PC
15	4.363-692.0	Grooved ring kpl. -nur fuer Ersatz-	1	PC
15	4.363-695.0	Grooved ring only for replacement	1	PC
5	5.321-669.3	Handhold few	1	PC
12	5.321-668.0	Handle	1	PC
1	4.775-466.0	Hand trigger gun	1	PC
7	4.037-013.0	Hook	1	PC
14	6.390-027.0	Hose assembly rotatable DN8 40MPa 20m	1	PC
4	4.481-209.3	Lever complete for replacement	1	PC
11	7.343-069.0	Locking ring 25x1,2-1.4122 DIN 471	1	PC
6	4.427-215.0	Manifold complete only for replacement	1	PC
6	4.427-215.3	Manifold cpl. only for replacement	1	PC
8	4.363-691.0	O-Ring seal kpl. -nur fuer Ersatz-	1	PC
10	4.775-471.0	Rotary controller 700L	1	PC
2	7.303-096.0	Screw 4x22-ST-10.9-R2R (IN6RD)	7	PC
3	5.481-331.0	Slider	1	PC
13	2.880-990.0	Spare part set O-Ring 5x -Kaercher	2	PC

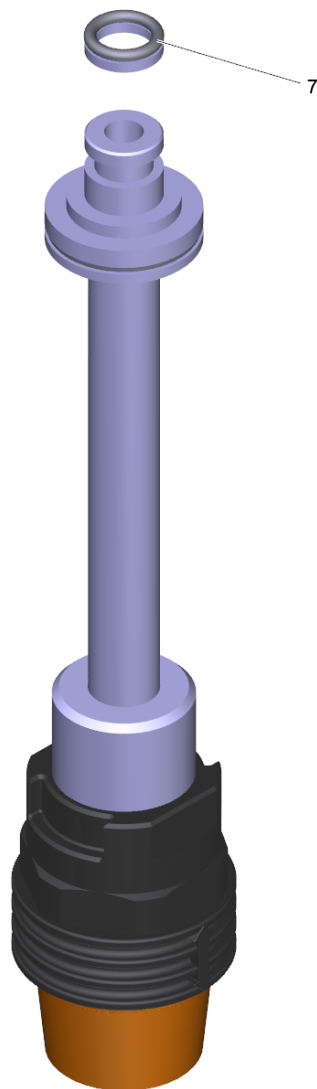


1 Hand trigger gun (4.775-466.0)

POS	Article no.	Description	Quantity	Unit
60	4.421-739.3	Adapter pipelines AVS-M22x1,5	1	PC
32	5.321-669.3	Handhold few	1	PC
2	4.037-013.0	Hook	1	PC
9002	4.481-209.3	Lever complete for replacement	1	PC
9001	4.427-215.0	Manifold complete only for replacement	1	PC
9001	4.427-215.3	Manifold cpl. only for replacement	1	PC
	Item text1: successor of 4.427-215.0			
45	7.303-096.0	Screw 4x22-ST-10.9-R2R (IN6RD)	7	PC
34	5.481-331.0	Slider	1	PC

2 Hook (4.037-013.0)

POS	Article no.	Description	Quantity	Unit
1	5.037-109.0	HOOK	1	PC

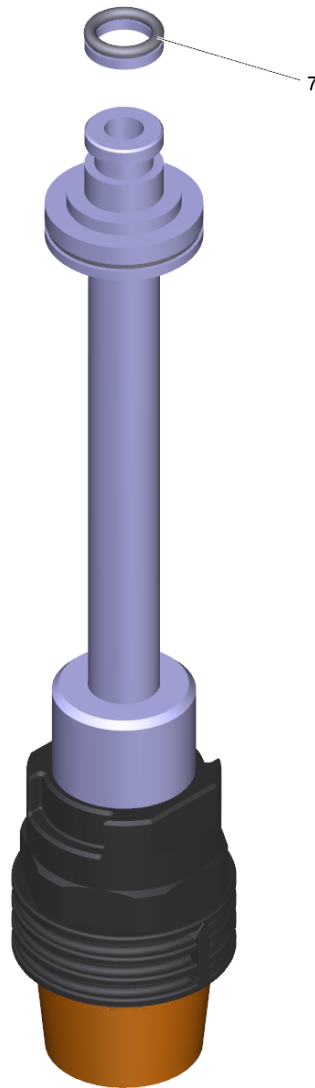


60 Adapter pipelines AVS-M22x1,5 (4.421-739.3)

POS	Article no.	Description	Quantity	Unit
7	4.363-691.0	O-Ring seal kpl. -nur fuer Ersatz-	1	PC

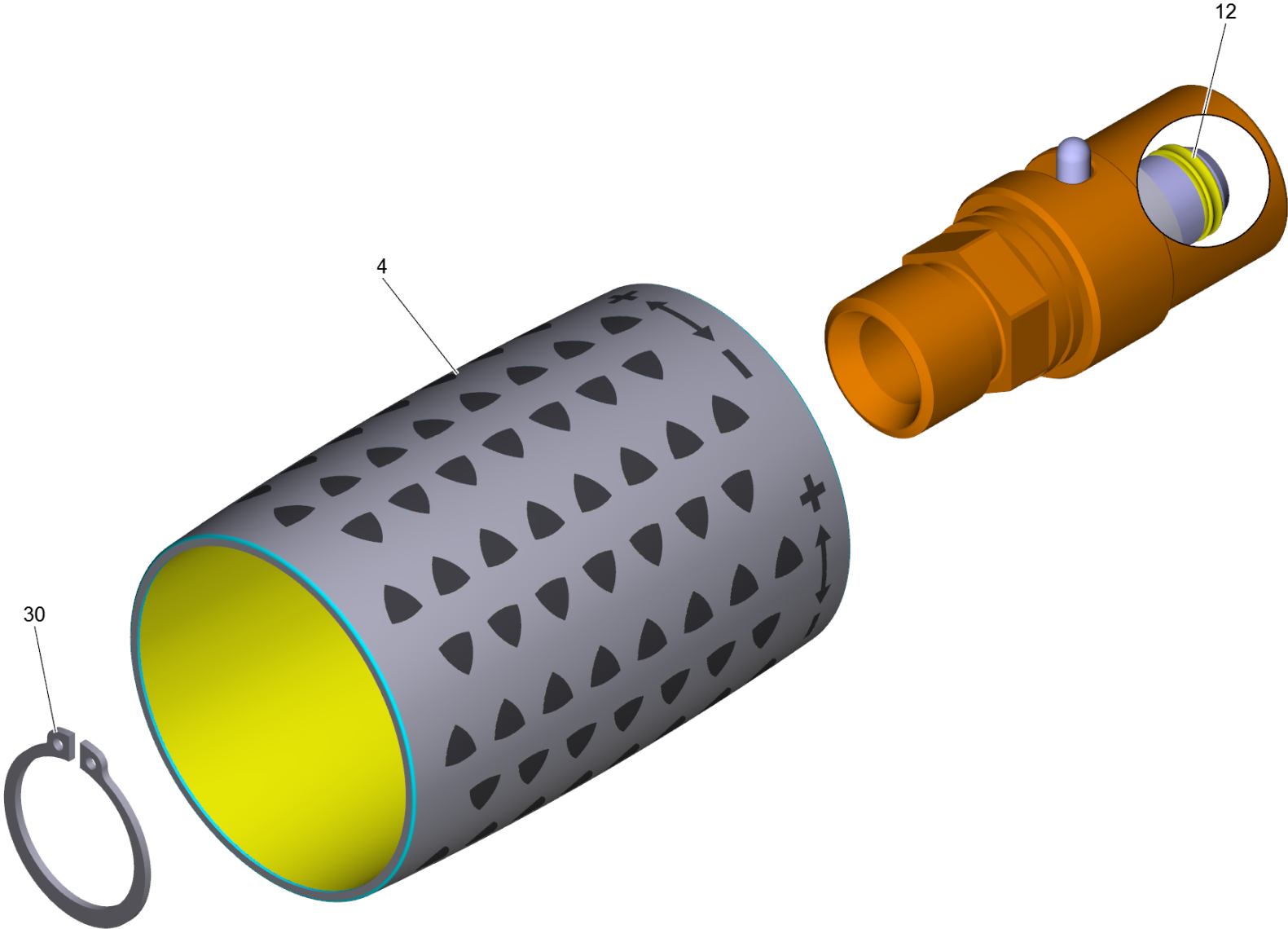
7 Hook (4.037-013.0)

POS	Article no.	Description	Quantity	Unit
1	5.037-109.0	HOOK	1	PC



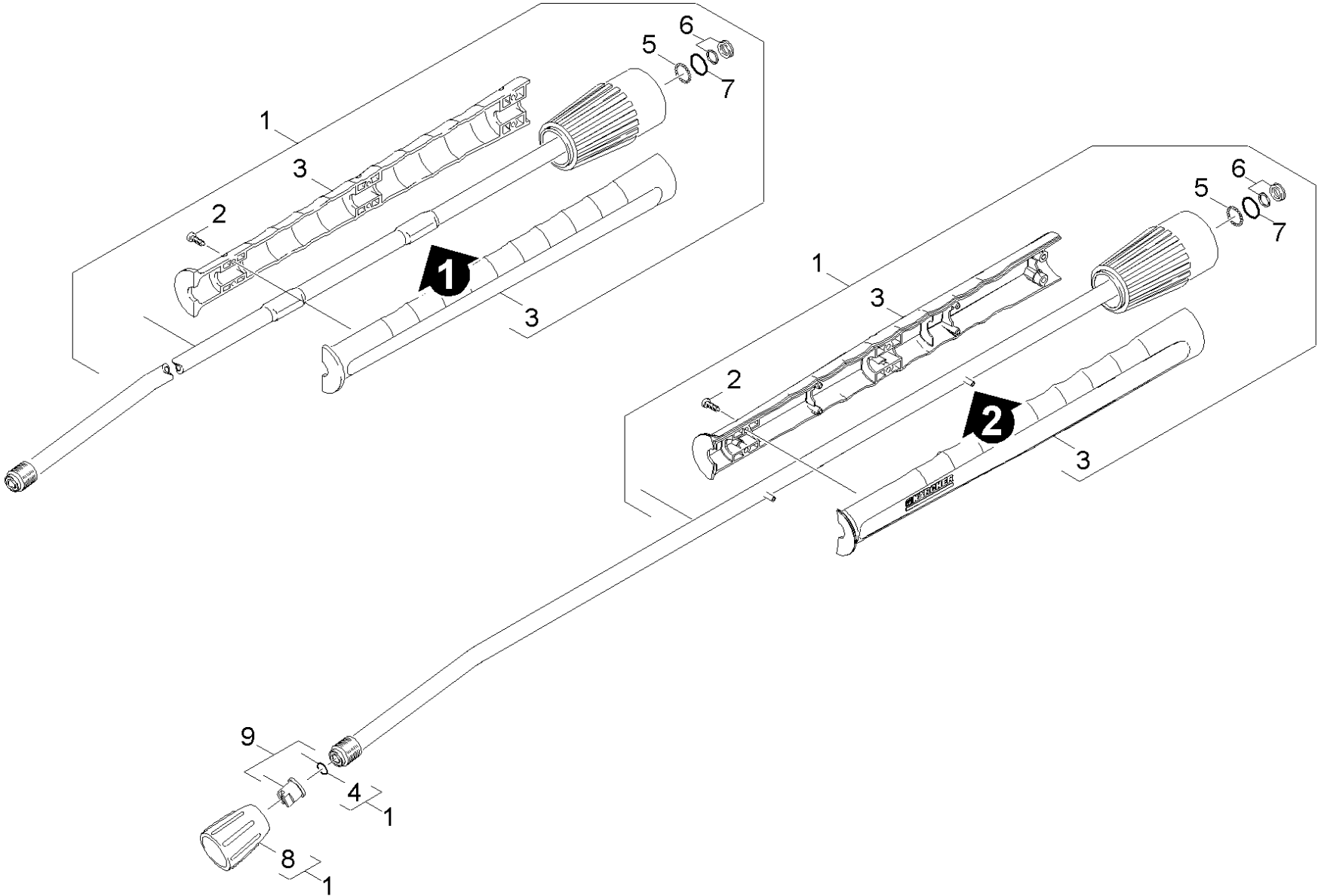
9 Adapter pipelines AVS-M22x1,5 (4.421-739.3)

POS	Article no.	Description	Quantity	Unit
7	4.363-691.0	O-Ring seal kpl. -nur fuer Ersatz-	1	PC



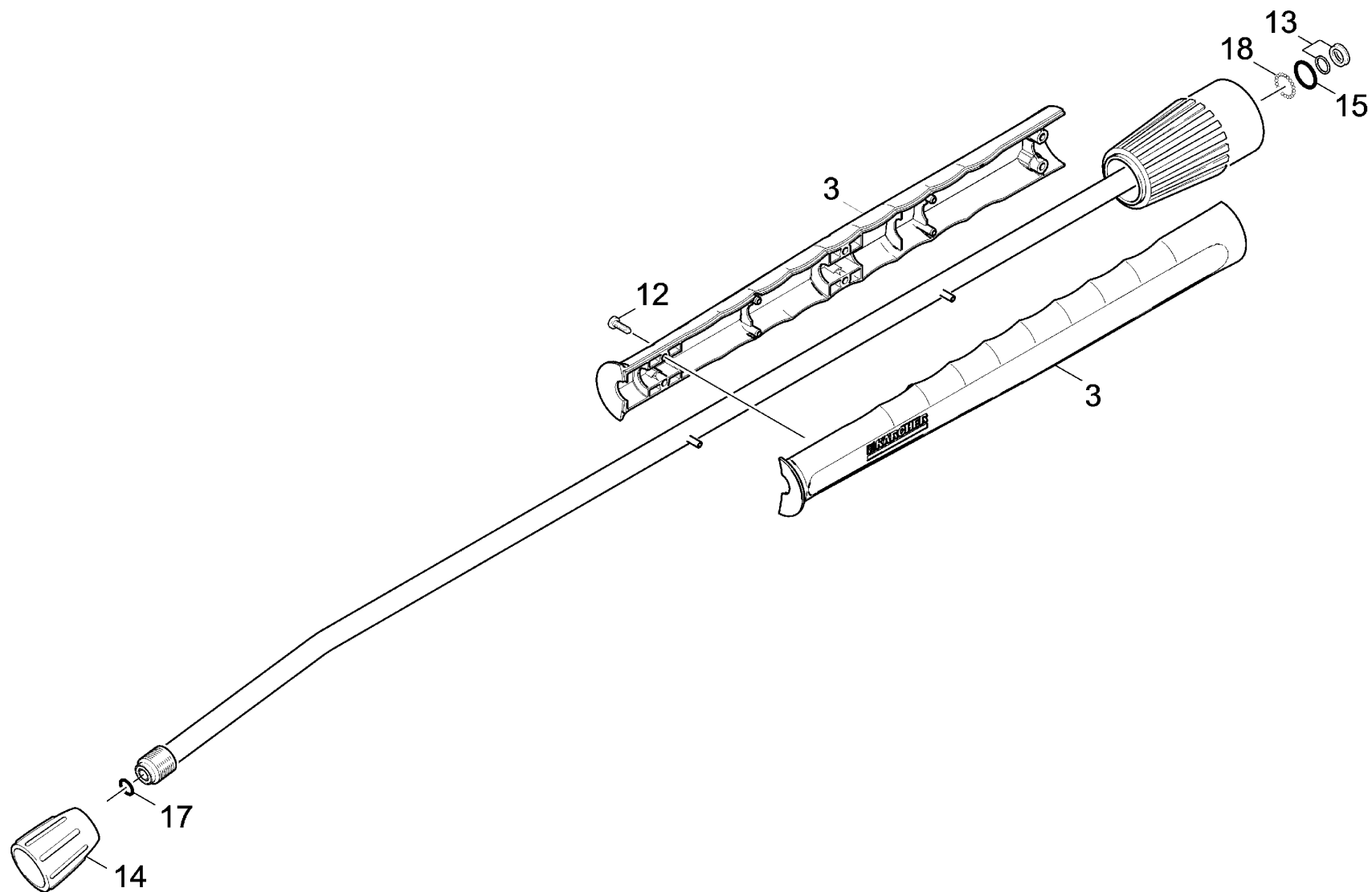
10 Rotary controller 700L (4.775-471.0)

POS	Article no.	Description	Quantity	Unit
4	5.321-668.0	Handle	1	PC
30	7.343-069.0	Locking ring 25x1,2-1.4122 DIN 471	1	PC
12	2.880-001.0	Spare part set seals TR	1	PC



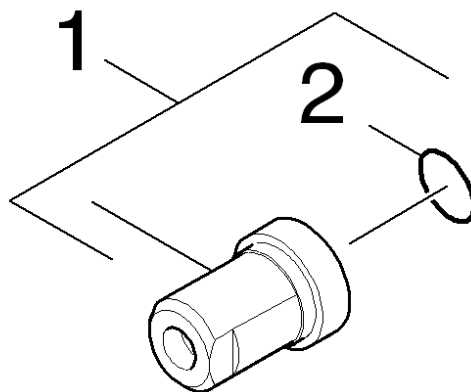
103 Jet pipe

POS	Article no.	Description	Quantity	Unit	Remark
6	4.363-692.0	Grooved ring kpl. -nur fuer Ersatz-	1	PC	
6	4.363-695.0	Grooved ring only for replacement	1	PC	
3	5.322-083.3	Handhold few extended Low End	1	PC	VERSION 1
3	5.321-855.3	Handhold few jet pipe with welding bolt packed	1	PC	VERSION 2
1	4.760-660.0	Jet pipe packaged only for replacement	1	PC	
7	6.362-524.0	O-Ring seal 17,0 X 1,5	1	PC	
9	2.883-403.0	Power nozzle 25065	1	PC	
	Item text1: 1.028-355.0				
9	2.883-926.0	Power nozzle 25072	1	PC	
	Item text1: 1.028-337.0 /-338.0 /-339.0 /-343.0 /				
	Item text2: /-353.0 /-354.0 /				
2	7.303-129.0	Screw 4x16-10.9-R2R (K-In6Rd)	6	PC	
8	5.401-129.0	Screw connector part	1	PC	
4	2.880-990.0	Spare part set O-Ring 5x -Kaercher	1	PC	
5	7.401-915.0	Sphere 2,5 G20 -1.4034 DIN 5401	20	PC	



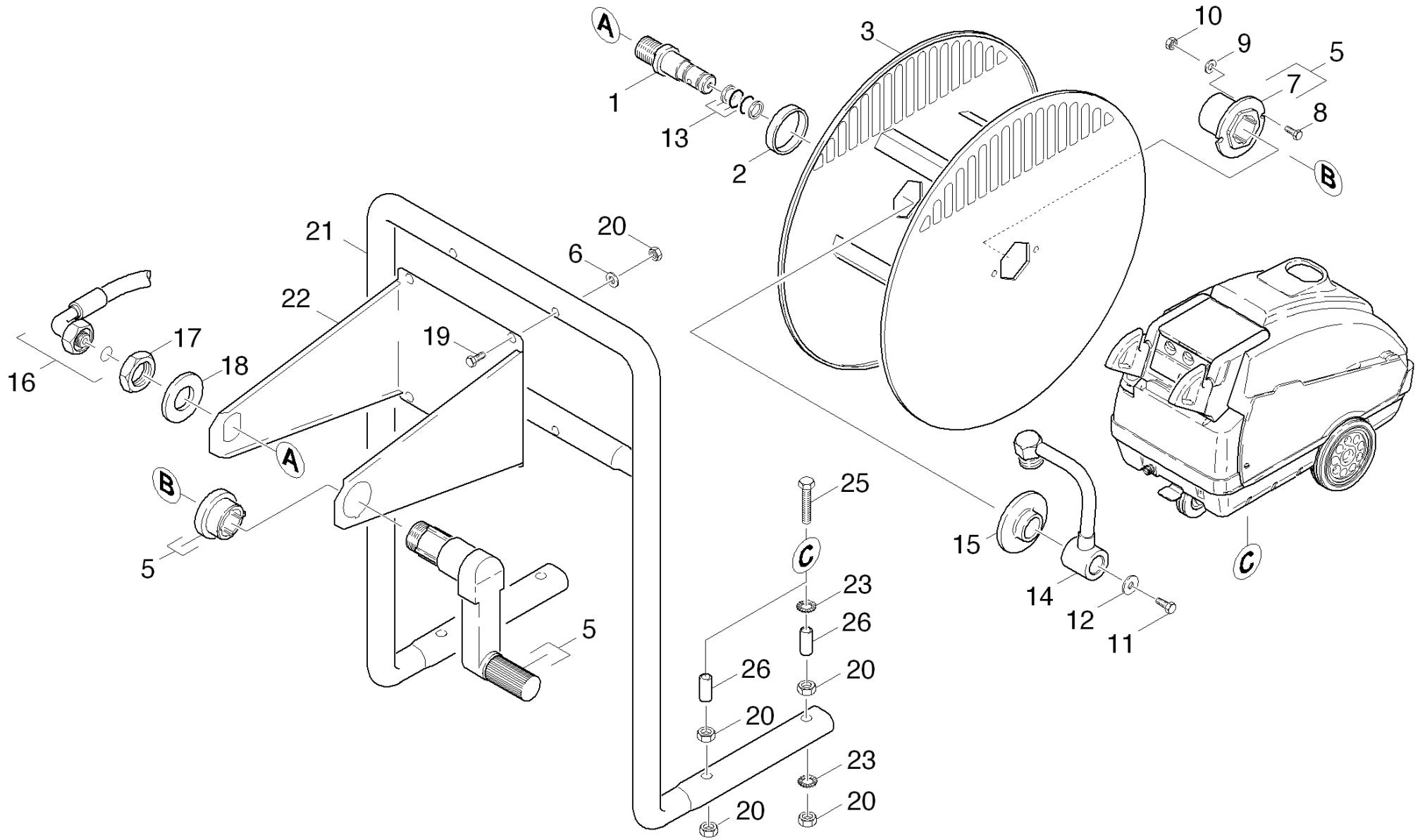
1 Jet pipe packaged only for replacement (4.760-660.0)

POS	Article no.	Description	Quantity	Unit
13	4.363-692.0	Grooved ring kpl. -nur fuer Ersatz-	1	PC
	Item text1: successor of 4.363-695.0			
13	4.363-695.0	Grooved ring only for replacement	1	PC
3	5.321-855.3	Handhold few jet pipe with welding bolt packed	1	PC
15	6.362-524.0	O-Ring seal 17,0 X 1,5	1	PC
12	7.303-129.0	Screw 4x16-10.9-R2R (K-In6Rd)	6	PC
14	5.401-210.0	Screw connector part	1	PC
17	2.880-990.0	Spare part set O-Ring 5x -Kaercher	1	PC
18	7.401-915.0	Sphere 2,5 G20 -1.4034 DIN 5401	1	PC



104 Steam nozzle

POS	Article no.	Description	Quantity	Unit
2	7.362-501.0	O-Ring seal 10x2 EPDM 70 DIN 3770	1	PC
1	2.885-043.0	Steam nozzle 40100	1	PC

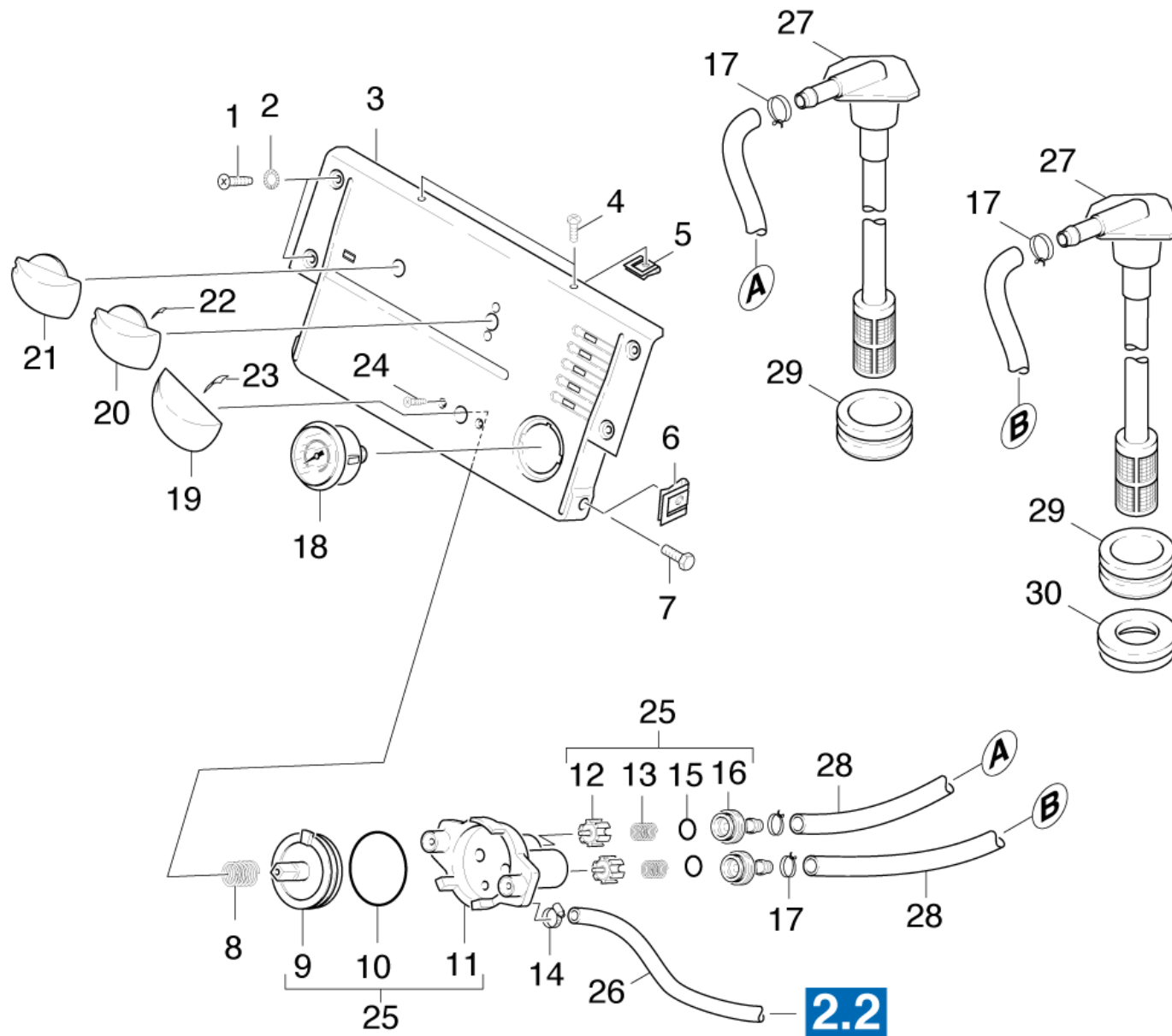


105 Hose reel

POS	Article no.	Description	Quantity	Unit
7	5.112-304.0	Bush	1	PC
	Item text1: / 1.028-353.0 / -354.0			
15	5.112-305.0	Bush	1	PC
	Item text1: / 1.028-353.0 / -354.0			
19	7.306-044.0	Cylinder head screw M8x35 -8.8-A2E ISO4	4	PC
	Item text1: / 1.028-353.0 / -354.0			
25	7.304-401.0	Hexagonal head screw M8x60-8.8-A2E ISO 4017	4	PC
	Item text1: / 1.028-353.0 / -354.0			
10	7.311-001.0	Hexagon nut M4 -6-A2E ISO 4032	2	PC
	Item text1: / 1.028-353.0 / -354.0			
20	7.311-004.0	Hexagon nut M8 -8-A3E ISO 4032	8	PC
	Item text1: / 1.028-353.0 / -354.0			
17	7.311-155.0	Hexagon nut M22x1,5 -Cu2 DIN 936	1	PC
	Item text1: / 1.028-353.0 / -354.0			
21	4.044-034.0	Holder complete	1	PC
	Item text1: / 1.028-353.0 / -354.0			
16	6.390-123.0	Hose assembly DN8 40MPa 0,6m	1	PC
	Item text1: / 1.028-353.0 / -354.0			
3	4.204-504.0	Hose reel	1	PC
	Item text1: / 1.028-353.0 / -354.0			
13	4.363-693.0	O-Ring seal kpl. -nur fuer Ersatz-	2	PC
	Item text1: / 1.028-353.0 / -354.0			
1	5.108-098.0	Pin	1	PC
	Item text1: / 1.028-353.0 / -354.0			
8	7.306-058.0	Screw M 4X 12- 8.8-R2R K-IN6RD	2	PC
	Item text1: / 1.028-353.0 / -354.0			
11	7.306-190.0	Screw M6x8-A2-70 (In6Rd)	1	PC
	Item text1: / 1.028-353.0 / -354.0			
22	5.046-485.0	Sheet metal component	1	PC
	Item text1: / 1.028-353.0 / -354.0			
2	5.110-340.0	Sleeve	1	PC
	Item text1: / 1.028-353.0 / -354.0			
5	2.884-318.0	Spare part set hose reel	1	PC

105 Hose reel

POS	Article no.	Description	Quantity	Unit
	Item text1: / 1.028-353.0 / -354.0			
26	7.777-999.0	Stockpiling discontinued	4	PC
	Item text1: / 1.028-353.0 / -354.0			
23	7.312-166.0	Toothed lock washer A8,4-FSt-A3E DIN 6797	6	PC
	Item text1: / 1.028-353.0 / -354.0			
14	4.408-044.0	Tube elbow	1	PC
	Item text1: / 1.028-353.0 / -354.0			
9	7.312-001.0	Washer 4 -200HV-A2K ISO 7089	2	PC
	Item text1: / 1.028-353.0 / -354.0			
12	7.312-260.0	Washer 6-100HV-A3E ISO 7094	1	PC
	Item text1: / 1.028-353.0 / -354.0			
6	7.312-004.0	Washer 8 -200HV-A3E ISO 7089	4	PC
	Item text1: / 1.028-353.0 / -354.0			
18	7.312-024.0	Washer 22-200HV-A2K ISO 7090	1	PC
	Item text1: / 1.028-353.0 / -354.0			



110 Control panel

POS	Article no.	Description	Quantity	Unit	Foot note text
3	5.841-000.0	Control panel	1	PC	
	Item text1: 1.028-355.0				
3	5.841-464.0	Control panel	1	PC	
	Item text1: 1.028-337.0 /-338.0 /-339.0 /-343.0 /				
	Item text2: /-353.0 /-354.0 /				
24	7.305-036.0	Countersunk screw M4x12 -A2-70-s (In6Rd)	2	PC	
27	6.414-028.0	Filter	2	PC	
19	5.321-379.0	Handhold	1	PC	
21	5.321-633.0	Handhold	1	PC	
20	5.321-641.0	Handhold thermostat	1	PC	
8	5.332-028.0	Helical spring	1	PC	
13	5.332-076.0	Helical spring	2	PC	
7	7.304-382.0	Hexagonal head screw M 6x12-8.8-A2E ISO	2	PC	
14	6.388-515.0	Hose clip	1	PC	
17	6.388-559.0	Hose clip	4	PC	
26	6.388-194.0	Hose DN 7	1	m	TO ORDER AS CUT GOODS
28	6.388-225.0	Hose DN 7	1	m	TO ORDER AS CUT GOODS
15	6.362-381.0	O-Ring seal 13x2 - NBR 70	2	PC	
10	6.363-053.0	O-Ring seal 40,0 X 2,5	1	PC	
23	5.337-021.0	Plate spring	1	PC	
30	5.132-094.0	Plug	1	PC	
18	6.421-170.0	Pressure gauge 0-315 BAR	1	PC	
29	5.365-147.0	Profile gasket	2	PC	
6	6.310-082.0	Putting nut M6	2	PC	
1	6.303-192.0	Screw M5x12 TX TAPTITE2000	4	PC	
4	7.303-078.0	Sheet metal screw ST4,8X19-ST-P2R (In6Rd)	2	PC	
5	6.310-034.0	Speed nut	2	PC	
22	6.313-014.0	Spring element	1	PC	
2	7.312-172.0	Toothed lock washer A5,3-FSt-A3E DIN 6797	4	PC	
25	4.580-075.0	Valve	1	PC	
16	5.586-014.0	Valve connecting piece	2	PC	
11	5.587-046.0	Valve housing	1	PC	
12	5.584-028.0	Valve pin	2	PC	

110 Control panel

POS	Article no.	Description	Quantity	Unit	Foot note text
9	5.581-035.0	Valve seat	1	PC	