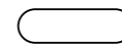
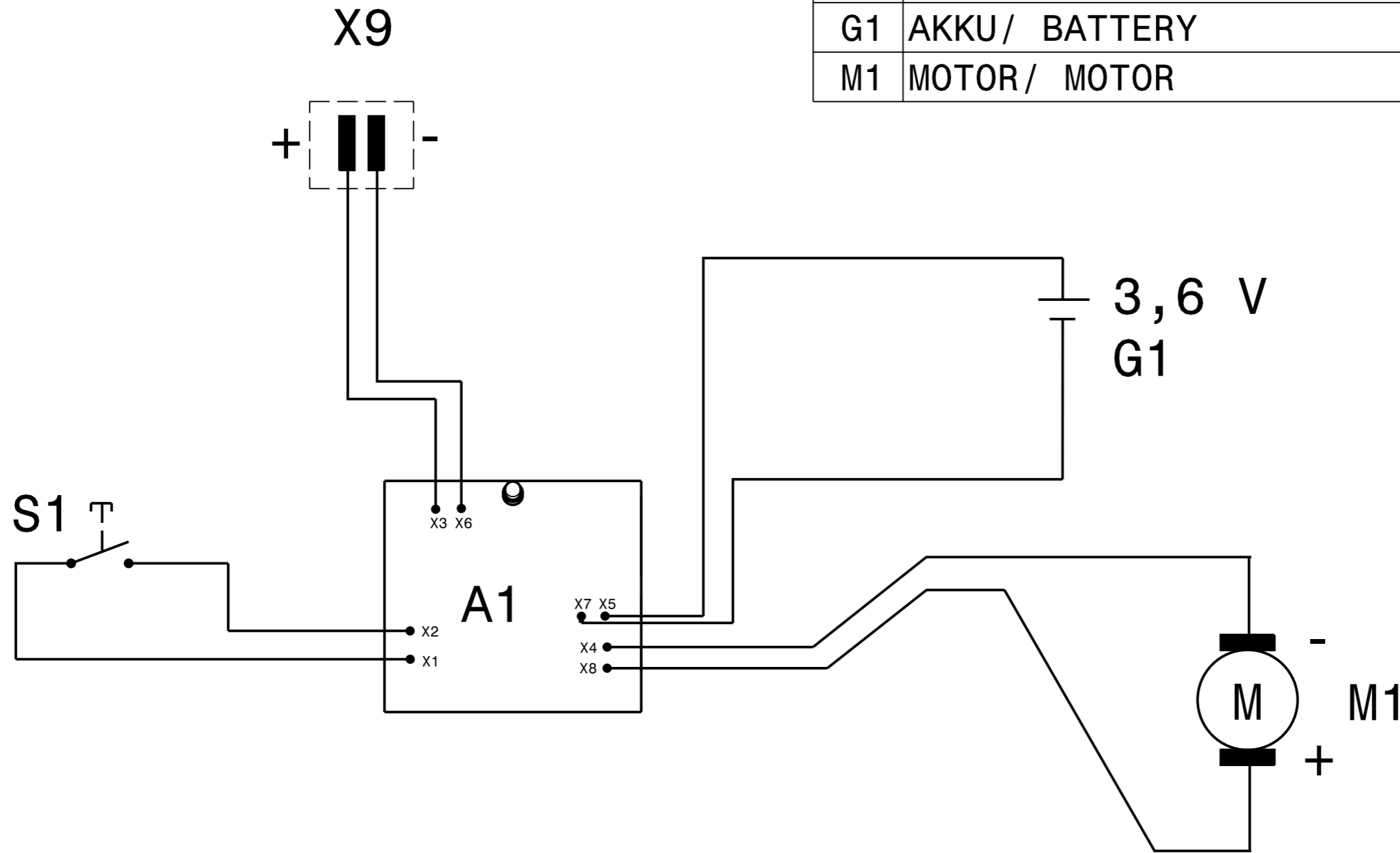


Compliance with the current version of Kärcher standard K&N 050.032 "Constituent substances" (ban of lead, cadmium, etc.) must be guaranteed. Standard date format according to ISO 8601 (YYYY-MM-DD). The reproduction, distribution and utilization of this document as well as the communication of its contents to others without explicit authorization is prohibited. Offenders will be held liable for the payment of damages. All rights reserved in the event of the grant of a patent, utility model or design. Copyright © Alfred Kärcher GmbH & Co. KG

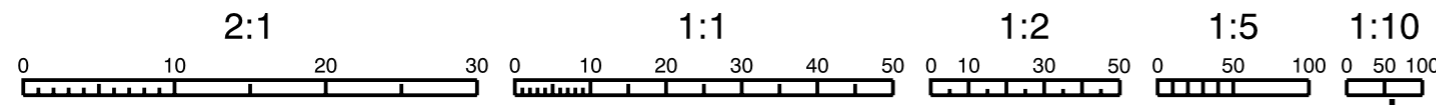
A1	ELEKTRONIKPLATINE / ELECTRONIC BOARD
S1	SCHALTER / SWITCH
X9	LADEBUCHSE / CHARGING JACK
G1	AKKU / BATTERY
M1	MOTOR / MOTOR



Maße werden besonders geprüft
especially checked dimensions

Erstmusterprüfung
first sample examination

Werkstoff material / substance		Allgemeintoleranzen general tolerances		Projection E 		Oberfläche / surface EN ISO 1302						
Halbzeug semi finished product		Tolerierung / toleration		dimensions in mm		Material-Nr. / material no.		0.088-960.0				
Werkstoffbez. / mat. designation		<input type="checkbox"/> geprüft checked		document		number	type	version	status	scale	sheet	of
Schweißtechn. / welding techn.		<input type="checkbox"/>		SLP WV 50		5157955	SLP	00	FR	1:1	1	1
Datum date		Gezeichnet drawn by		Geprüft checked by		Normgeprüft std. checked by		Änderung / Engineering change		Ersatz für / replaces		
2007-12-20		AW03274		AW03274		AW03274		index	Anzahl / count	number	Datum / date	index
								0	0	2014549		



A3